



US00D396750S

# United States Patent [19]

[11] Patent Number: **Des. 396,750**

Slater et al.

[45] Date of Patent: **\*\*Aug. 11, 1998**

[54] **BARBERING BAG**

*Primary Examiner—Philip S. Hyder  
Attorney, Agent, or Firm—Collard & Roe, P.C.*

[76] Inventors: **Debbie Slater; Keith Stuart**, both of  
291 Hemlock St., Brooklyn, N.Y. 11208

[57] **CLAIM**

[\*\*] Term: **14 Years**

The ornamental design for a barbering bag, as shown and described.

[21] Appl. No.: **72,519**

**DESCRIPTION**

[22] Filed: **Jun. 19, 1997**

FIG. 1 is a perspective view of a barbering bag, showing my new design, in an open position;  
FIG. 2 is a front left perspective view of the closed barbering bag;  
FIG. 3 is a left side view thereof;  
FIG. 4 is a top plan view thereof;  
FIG. 5 is a right side view thereof;  
FIG. 6 is a bottom plan view thereof;  
FIG. 7 is a front view thereof; and  
FIG. 8 is a rear view thereof.

[51] **LOC (6) Cl.** ..... **03-01**

[52] **U.S. Cl.** ..... **D3/295; D3/301; D3/284**

[58] **Field of Search** ..... **D3/295, 294, 301,  
D3/283, 284, 900; 190/110, 111, 112, 113,  
114; 206/363, 438, 823**

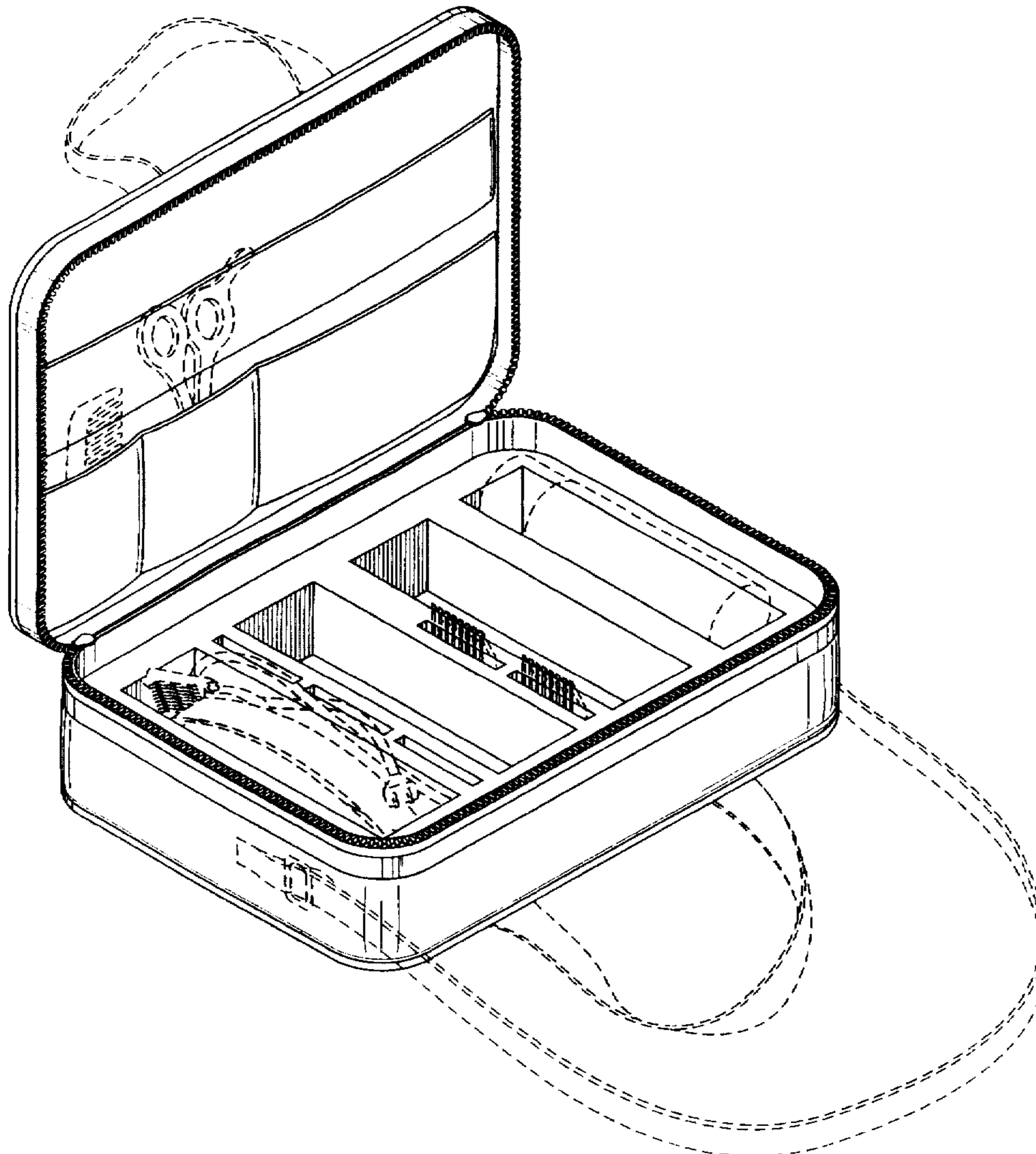
The broken line portions of the drawing disclosure are for illustrative purposes only and form no part of the claimed design.

[56] **References Cited**

**U.S. PATENT DOCUMENTS**

D. 313,505	1/1991	Leopoldi et al.	.....	D3/295
D. 358,483	5/1995	Cross et al.	.....	D3/301
D. 367,759	3/1996	Jacobson	.....	D3/301
D. 373,679	9/1996	Milby	.....	D3/301
D. 379,279	5/1997	Roegner	.....	D3/301

**1 Claim, 4 Drawing Sheets**



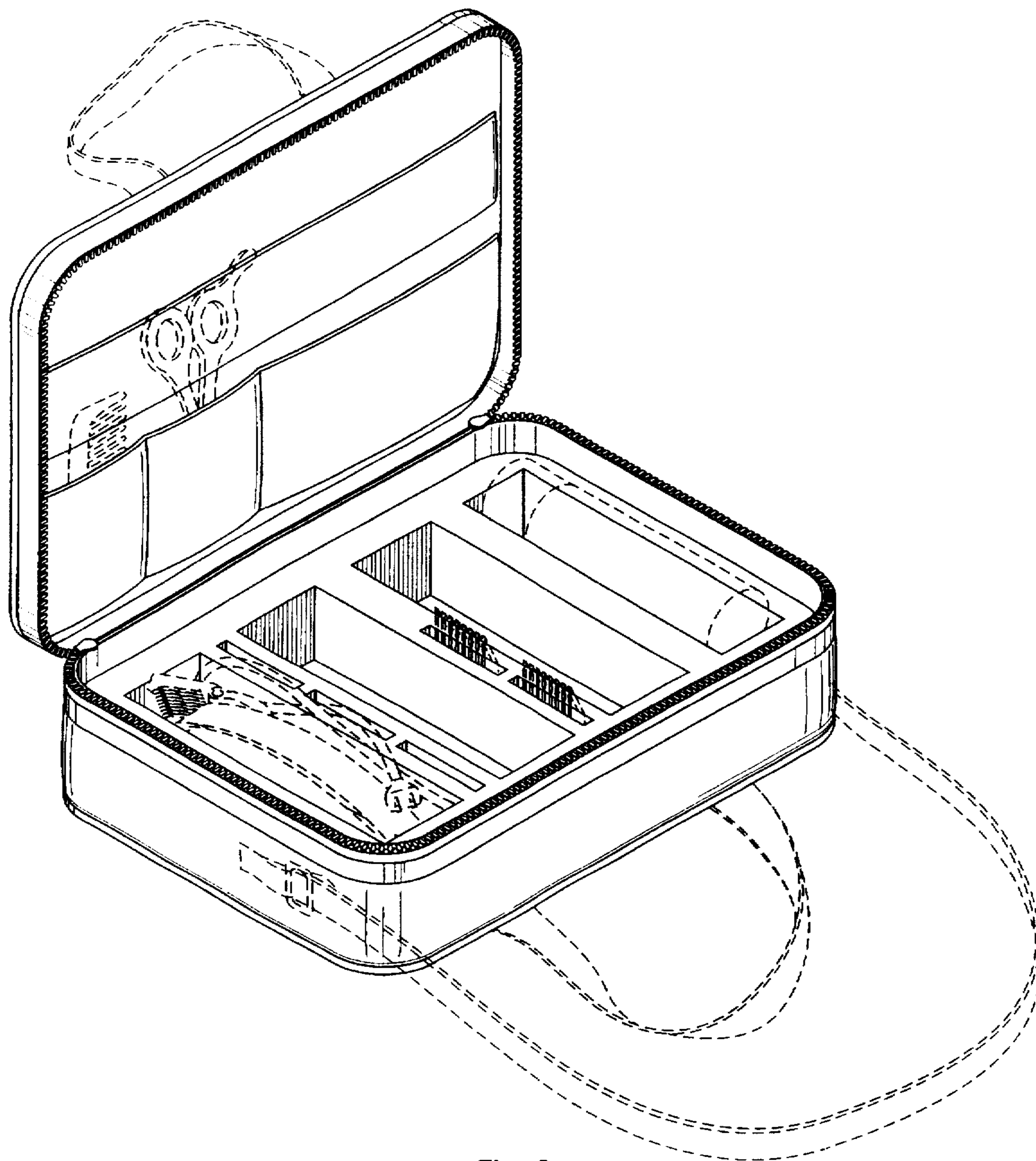


Fig. 1

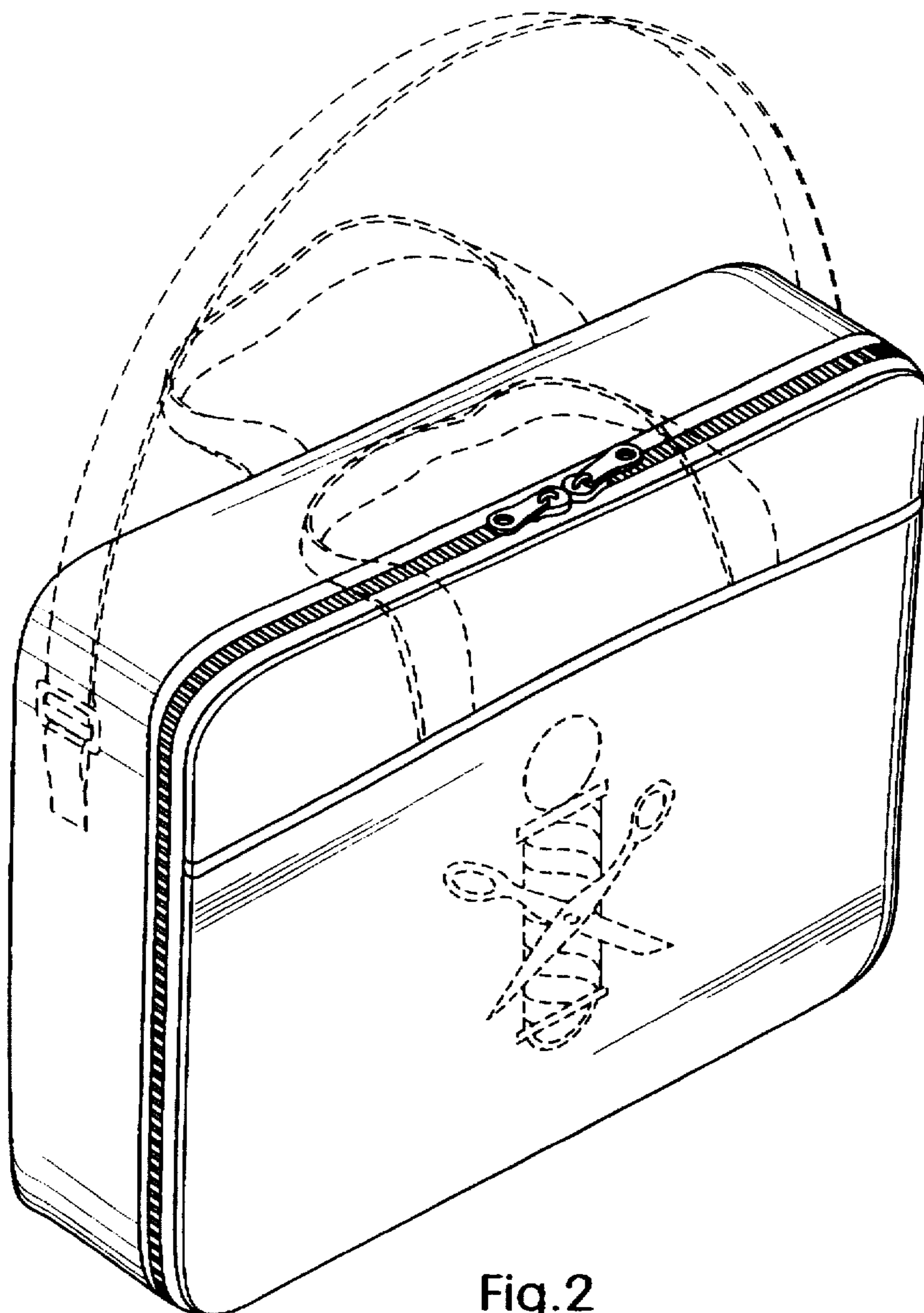


Fig.2

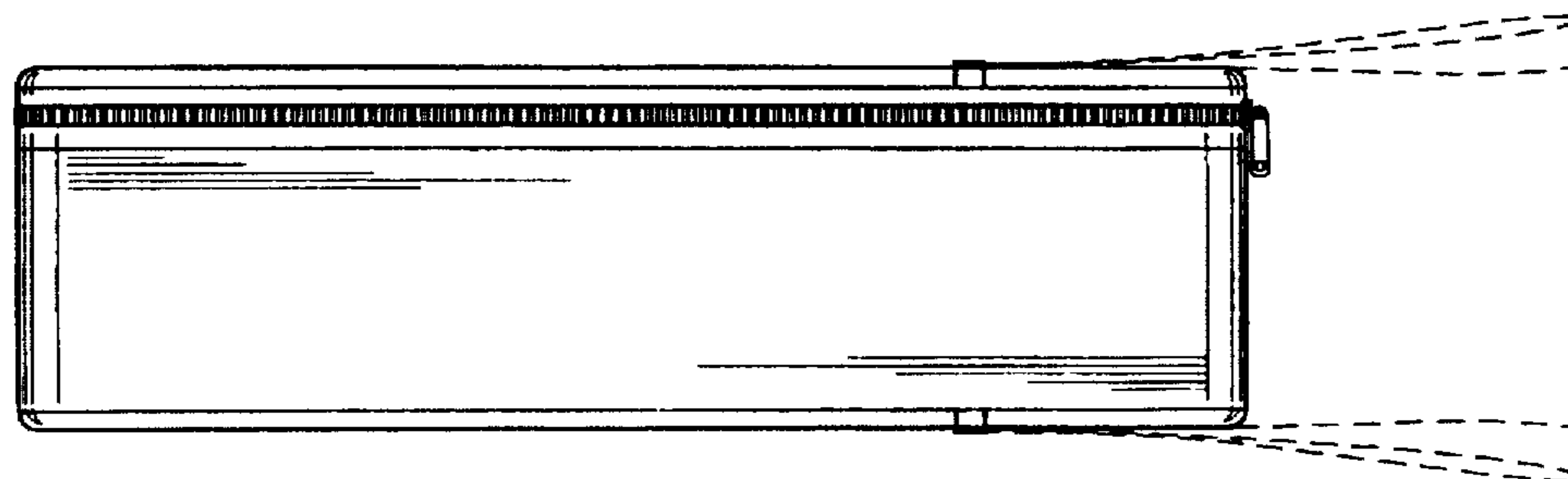


Fig.3

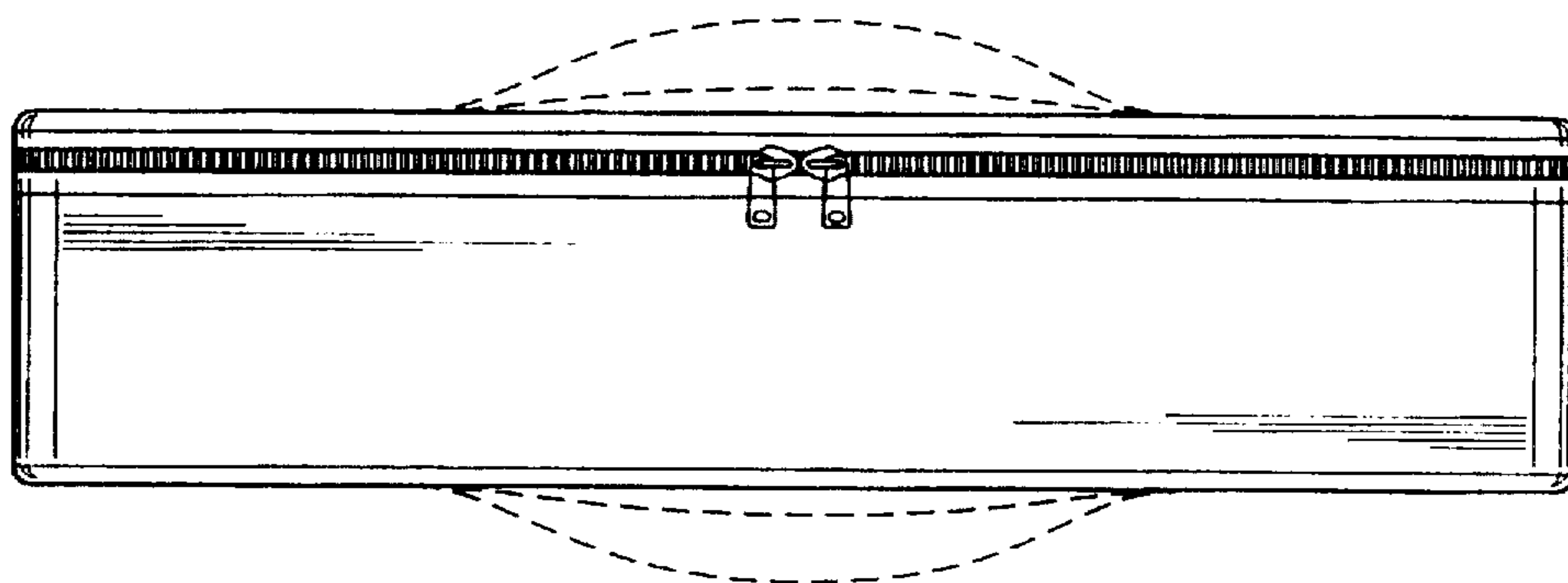


Fig. 4

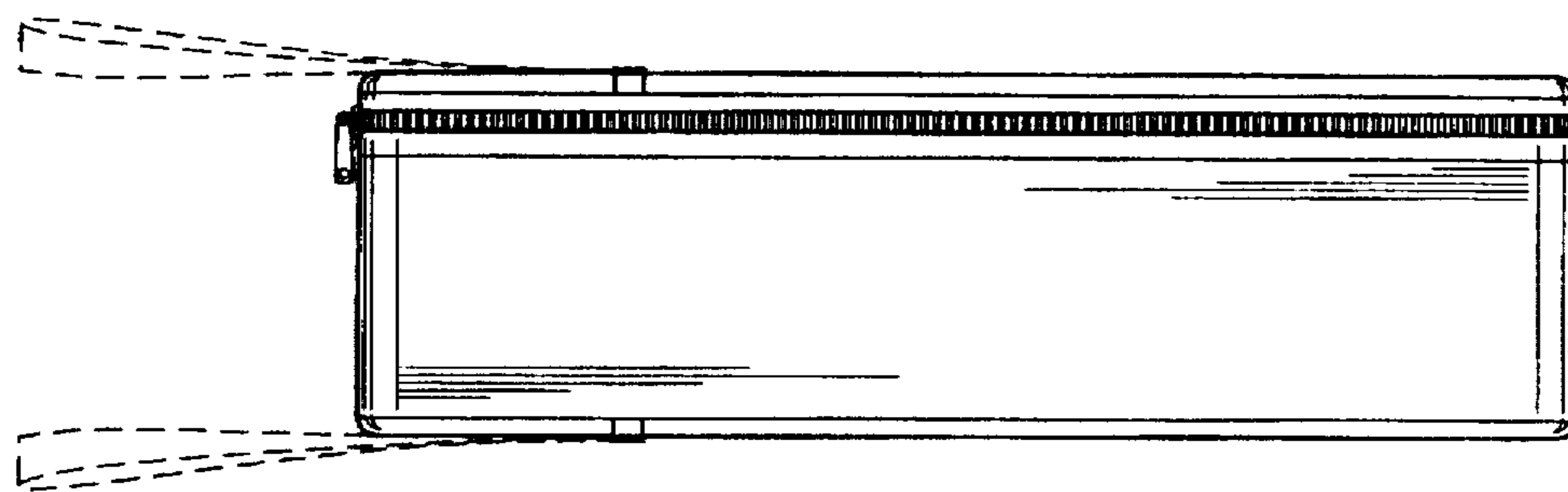


Fig. 5

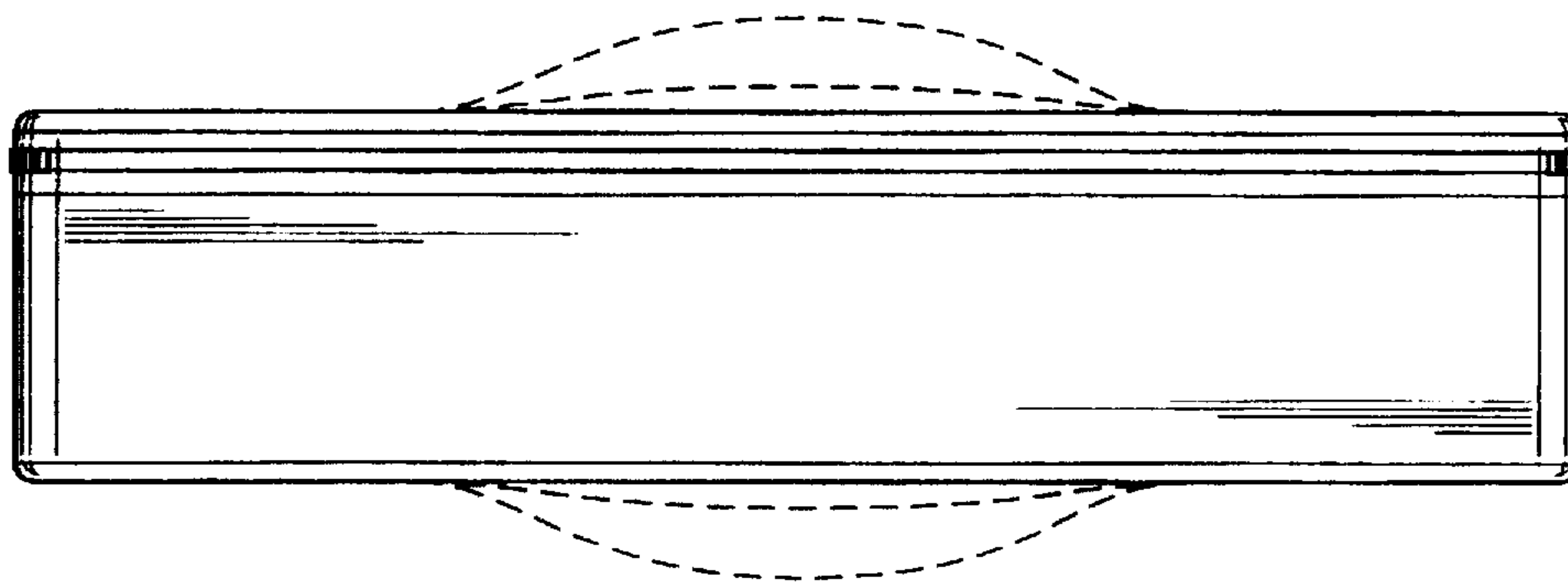


Fig. 6

Fig.7

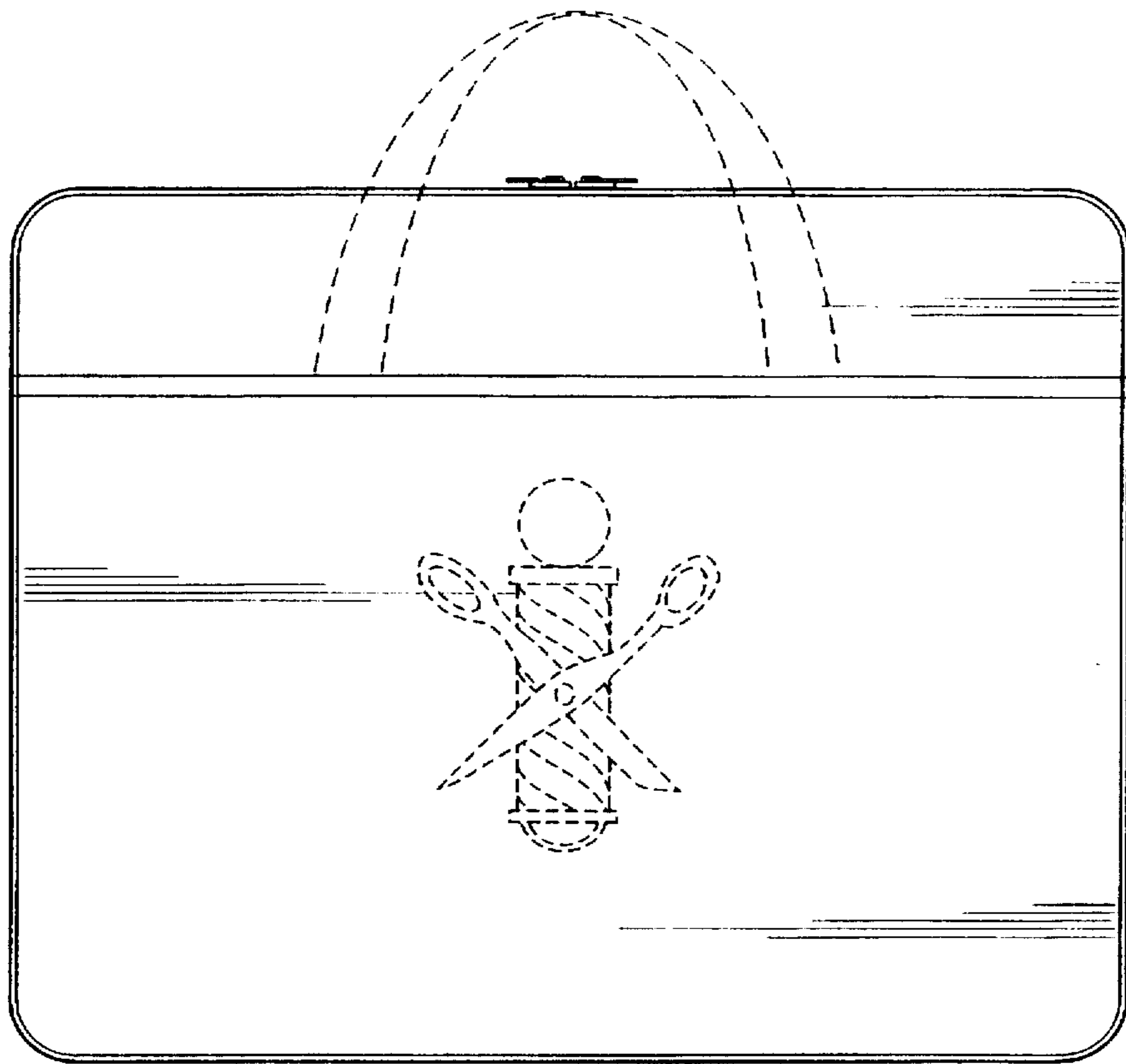


Fig.8

