

US00D396749S

United States Patent [19]
Ortiz

[11] **Patent Number: Des. 396,749**

[45] **Date of Patent: **Aug. 11, 1998**

[54] **BABY BOTTLE CARRIER**

5,255,816 10/1993 Trepp 206/503

[76] **Inventor: Gracie Ortiz, Rte. 2, Box 1722,
Nacogdoches, Tex. 75961**

Primary Examiner—Philip S. Hyder
Attorney, Agent, or Firm—Carol M. Nielsen; Darryl M. Tyus

[**] **Term: 14 Years**

[57] **CLAIM**

[21] **Appl. No.: 54,252**

The ornamental design for a baby bottle carrier, as shown and described.

[22] **Filed: May 10, 1996**

DESCRIPTION

[51] **LOC (6) Cl. 03-01**

[52] **U.S. Cl. D3/284; D3/295; D7/608**

[58] **Field of Search D3/295, 283, 286,
D3/284; D24/217; D9/429, 424; D7/608;
206/139, 203, 503; 220/512, 507, 509,
510, 515**

FIG. 1 is a perspective view of an opened baby bottle carrier with bottles therein showing my new design with the lid in an open position;

FIG. 2 is a perspective view thereof in a closed position;

FIG. 3 is a front view thereof;

FIG. 4 is a rear view thereof;

FIG. 5 is a right side view thereof;

FIG. 6 is a left side view thereof;

FIG. 7 is a top view thereof; and,

FIG. 8 is a bottom view thereof.

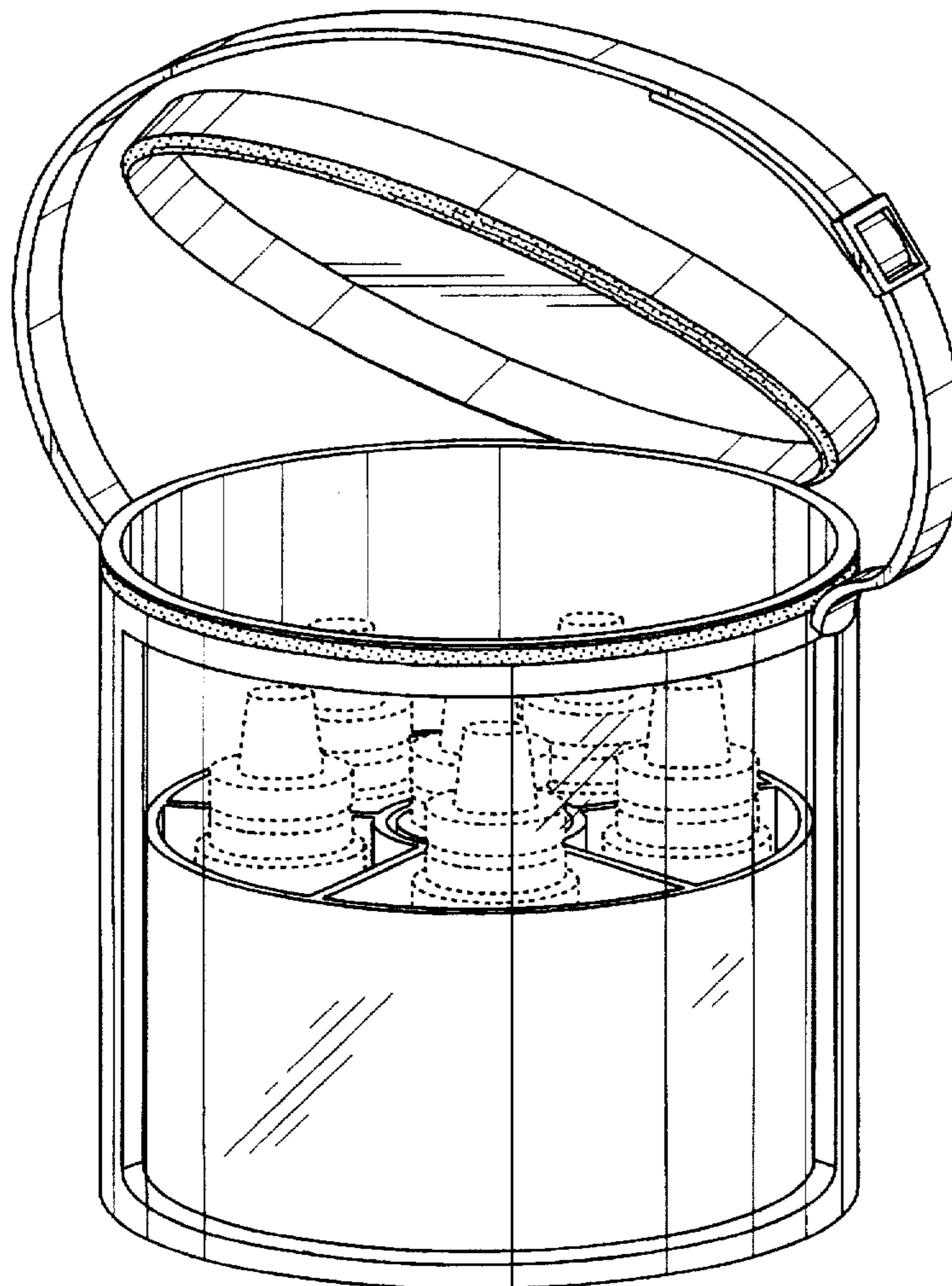
The broken line showing of the bottles in FIG. 1 are for illustrative purposes only and form no part of the claimed design.

[56] **References Cited**

U.S. PATENT DOCUMENTS

D. 245,895	9/1977	Krooss	D3/284
D. 261,088	10/1981	Akimor et al.	D7/608
D. 312,400	11/1990	Schwaikert	D9/424
D. 365,882	1/1996	Allegre	D24/217
D. 369,525	5/1996	Winters	D7/608
2,740,546	4/1956	Kowalski	220/512
5,069,336	12/1991	Mauthe	220/507

1 Claim, 7 Drawing Sheets



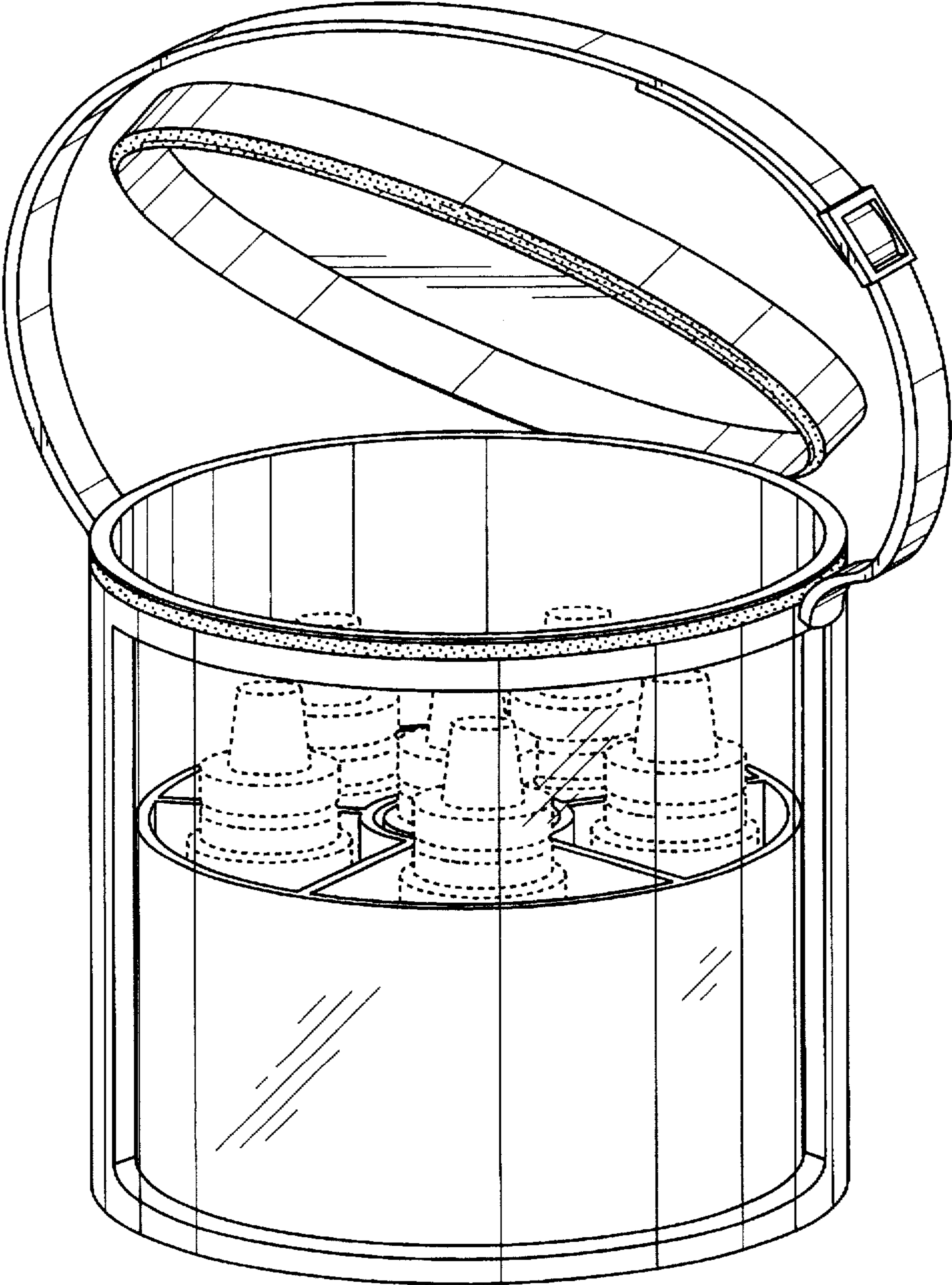


FIG. 1

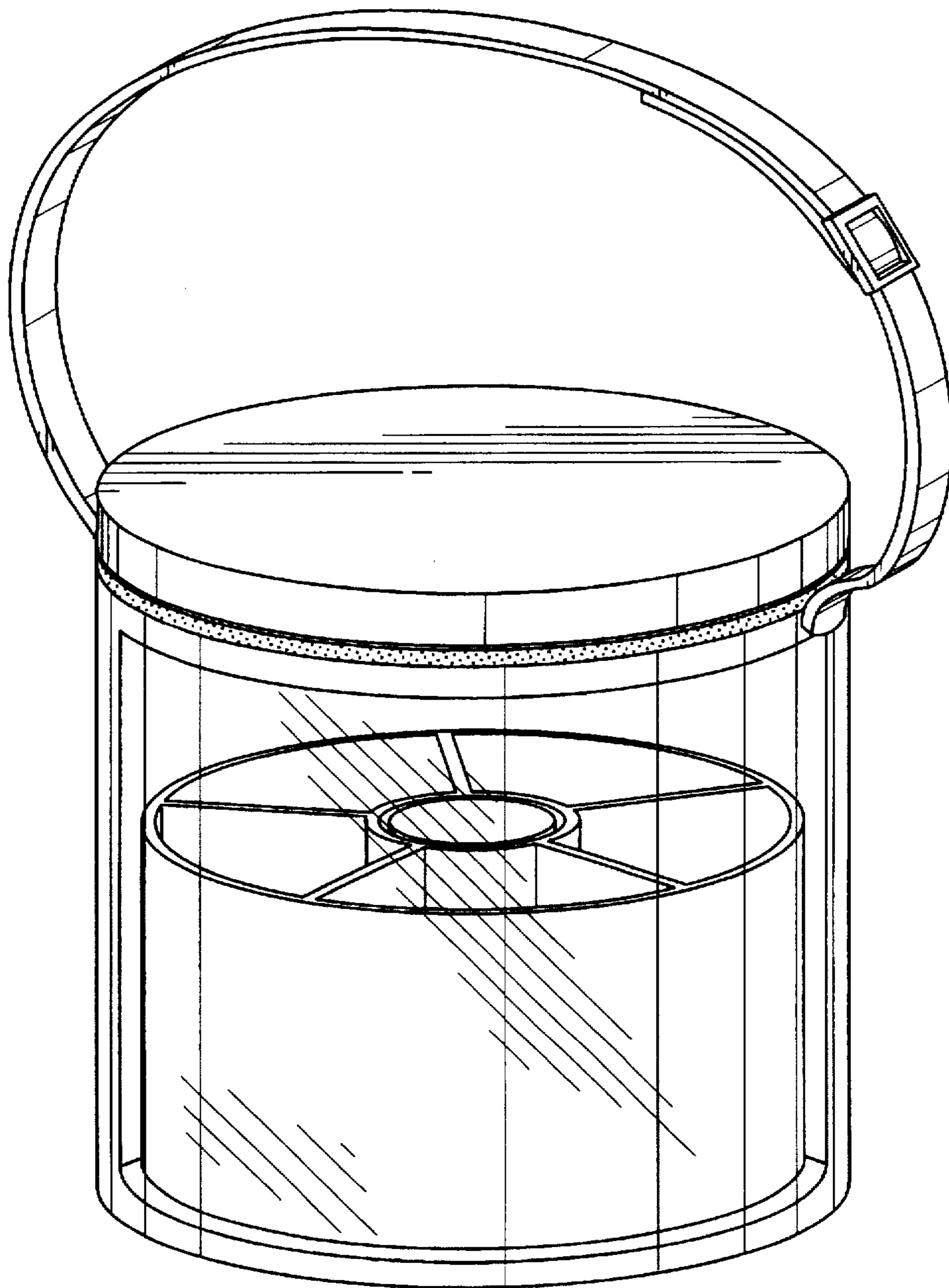


FIG. 2

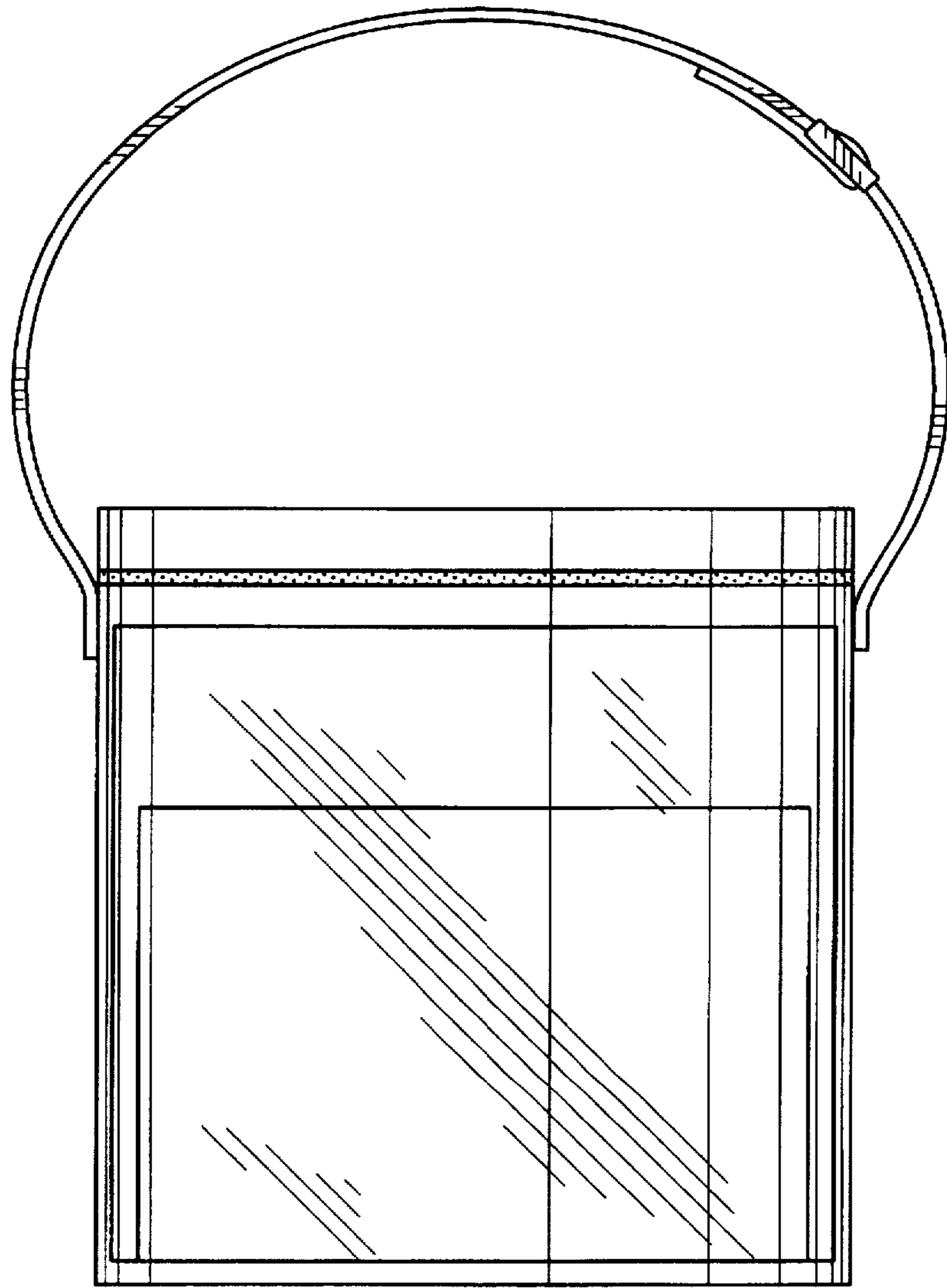


FIG. 3

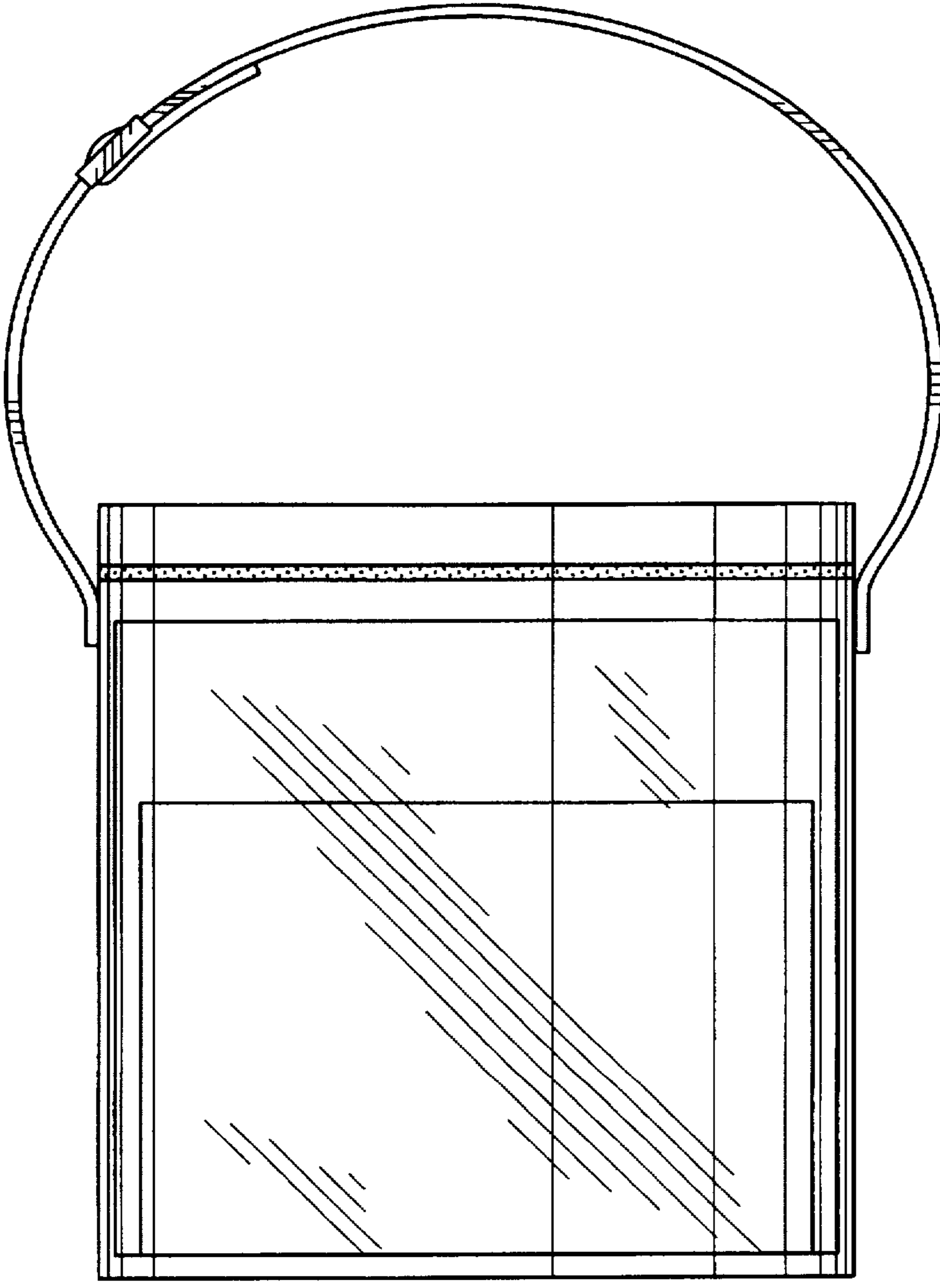


FIG. 4

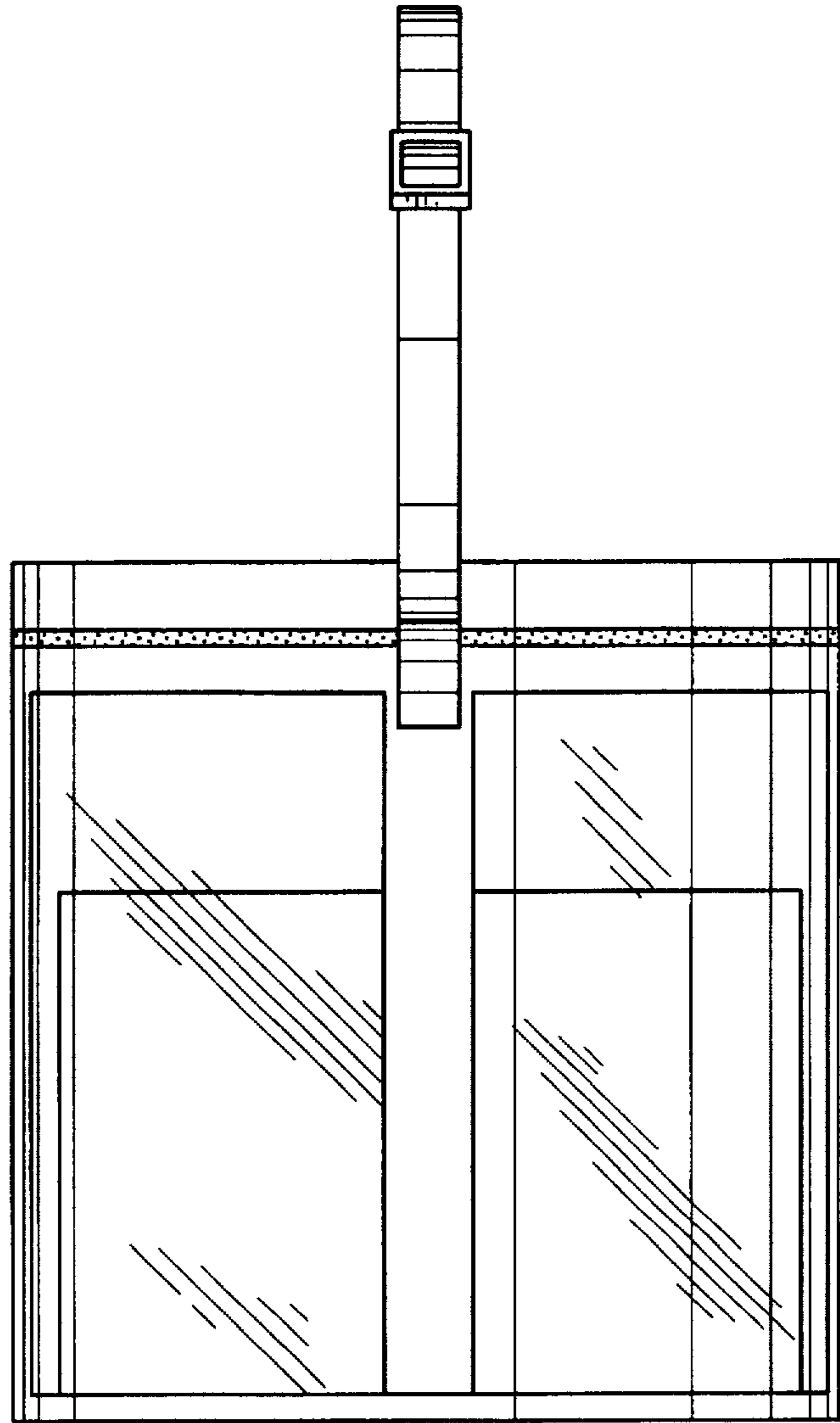


FIG. 5

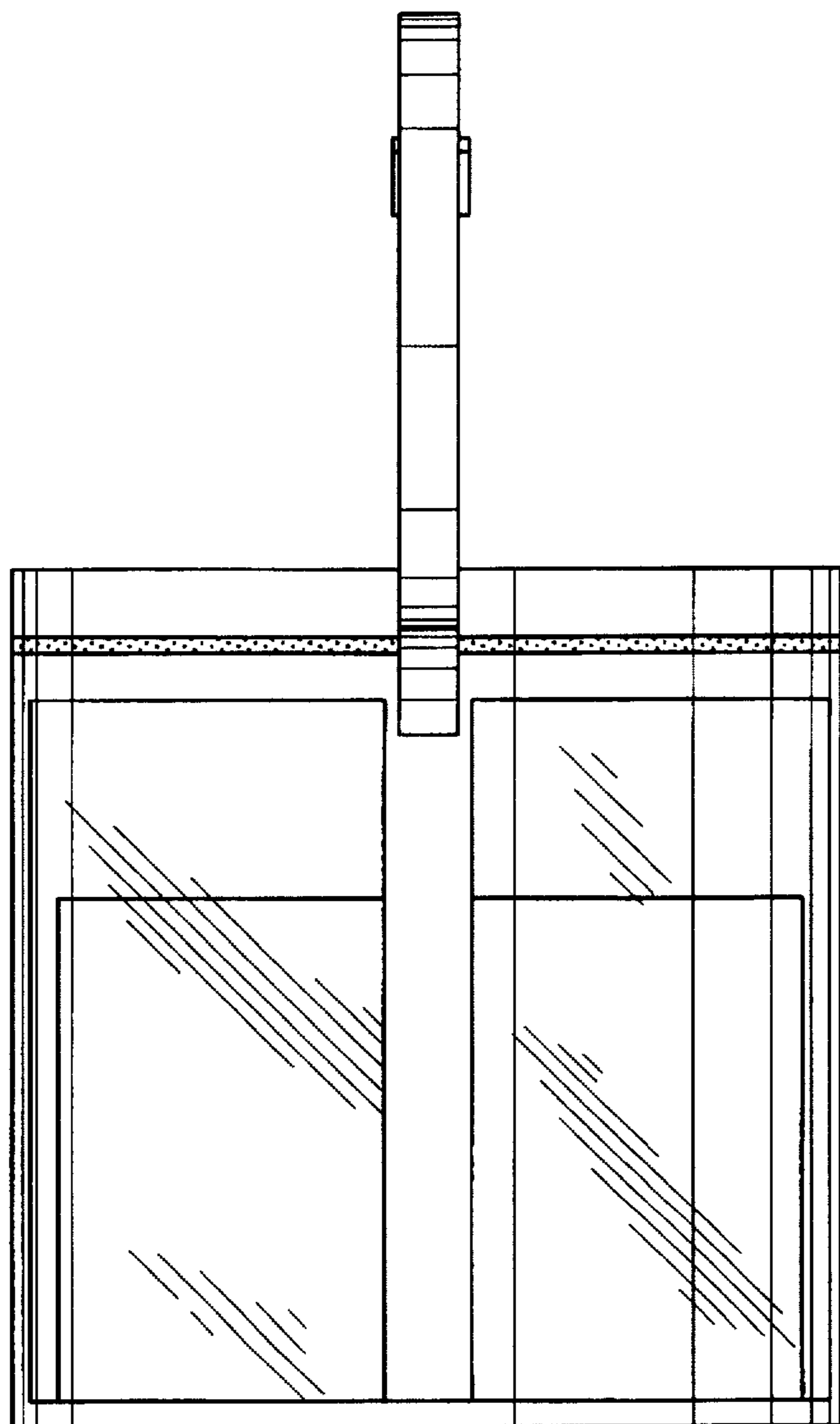


FIG. 6

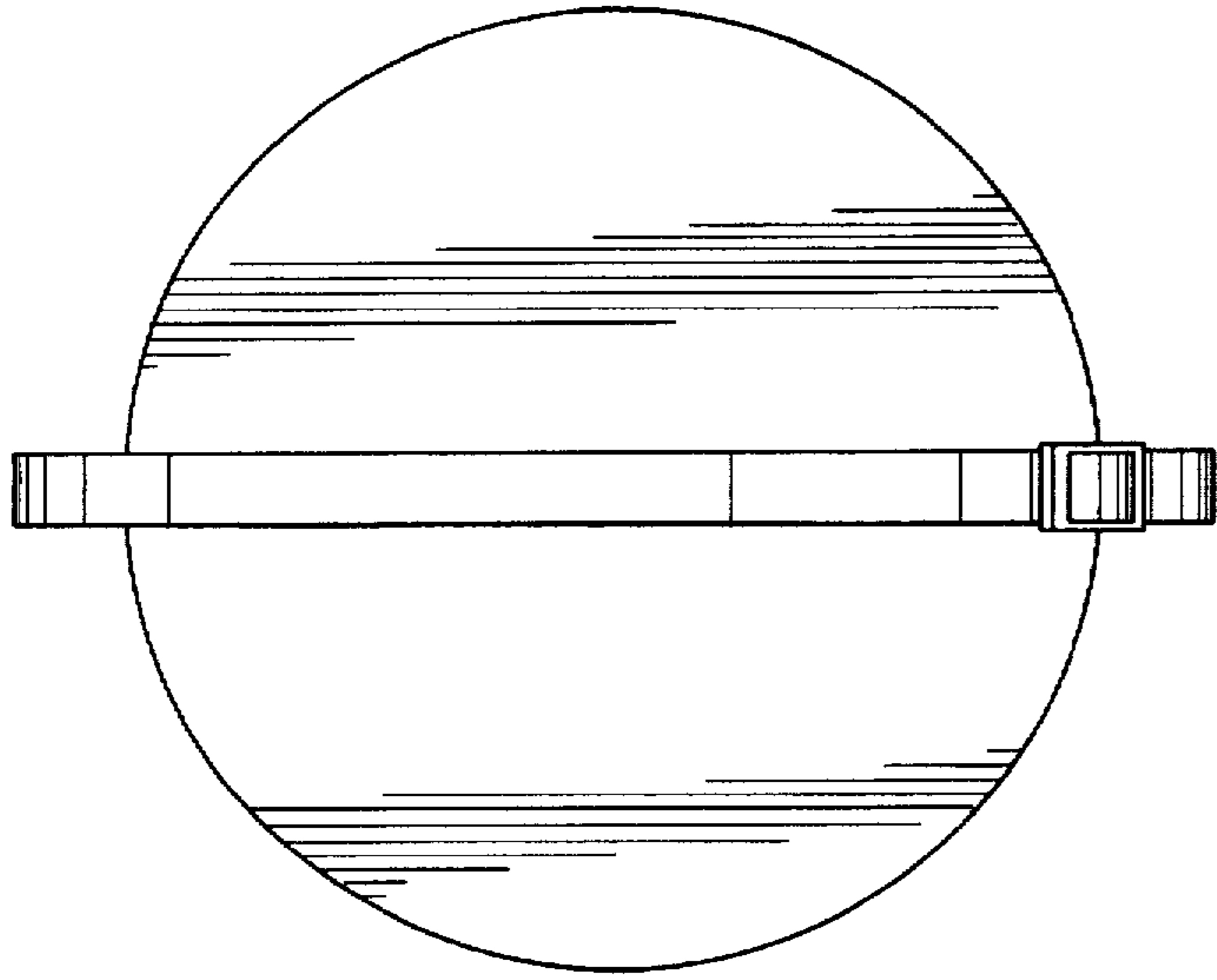


FIG. 7

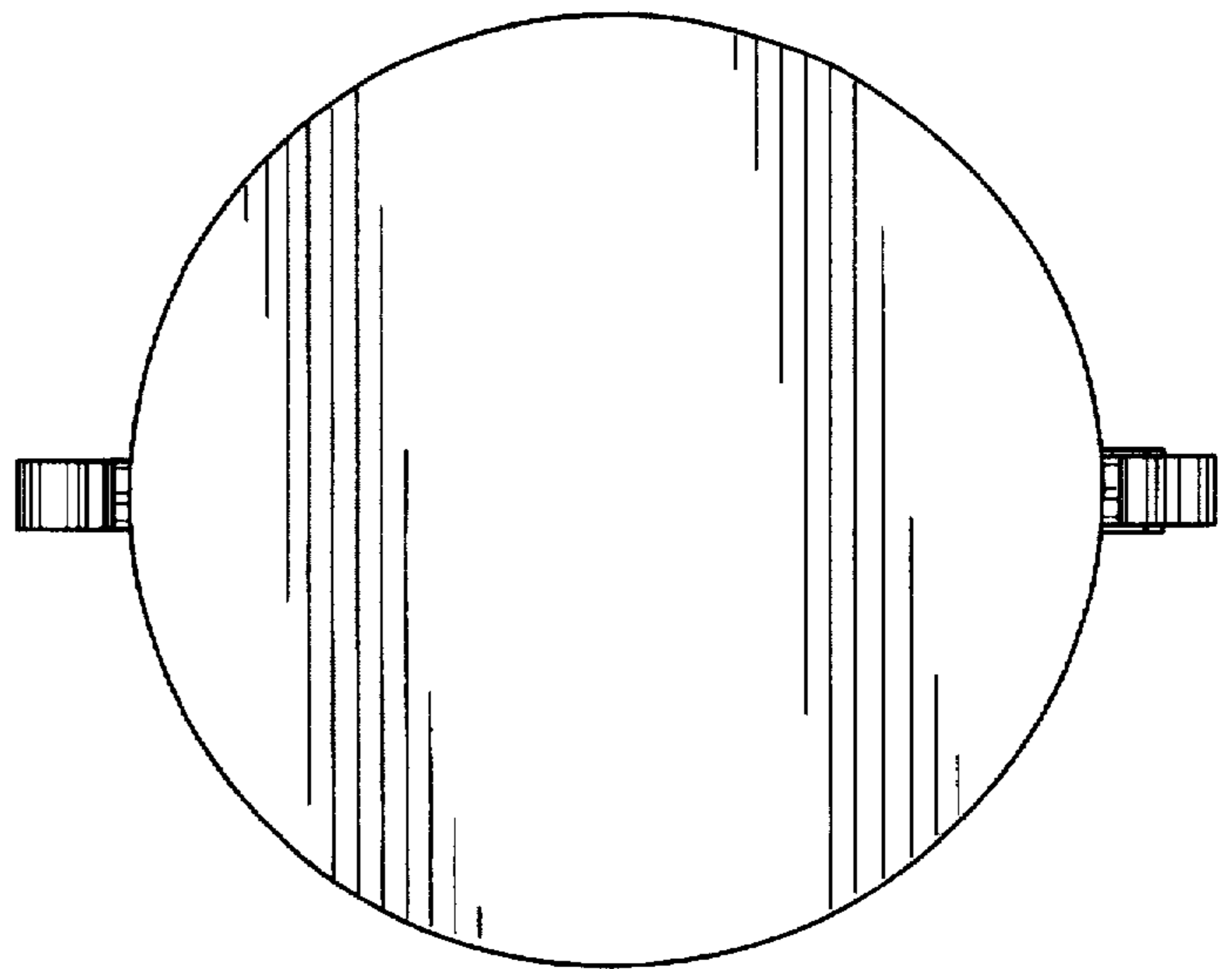


FIG. 8