



US00D396747S

United States Patent [19]
Cheung

[11] **Patent Number: Des. 396,747**
[45] **Date of Patent: **Aug. 11, 1998**

[54] **EYEGLOSS CASE**

[75] Inventor: **Jacky Cheung**, Hong Kong, Hong Kong

[73] Assignee: **Qualipak Manufacturing Ltd.**, Hong Kong, Hong Kong

[**] Term: **14 Years**

[21] Appl. No.: **64,683**

[22] Filed: **Jan. 8, 1997**

[51] **LOC (6) Cl.** **03-01**

[52] **U.S. Cl.** **D3/265**

[58] **Field of Search** D3/265, 266, 219, D3/215; 206/5 R, 6; 220/344, 324, 334, 337, 338, 342, 343

[56] **References Cited**

U.S. PATENT DOCUMENTS

D. 49,217	6/1916	King	D3/265
1,748,430	2/1930	Stringham	D3/265 X
2,371,557	3/1945	Sullivan	206/6
5,423,419	6/1995	Wentz et al.	D3/215
5,448,317	9/1995	Huang	206/6 X

OTHER PUBLICATIONS

Hong Kong Enterprise, Spectacle Case, p. 744, Jun. 1996.

Primary Examiner—Doris V. Coles
Assistant Examiner—Catherine R. Oliver
Attorney, Agent, or Firm—Ladas & Parry

[57] **CLAIM**

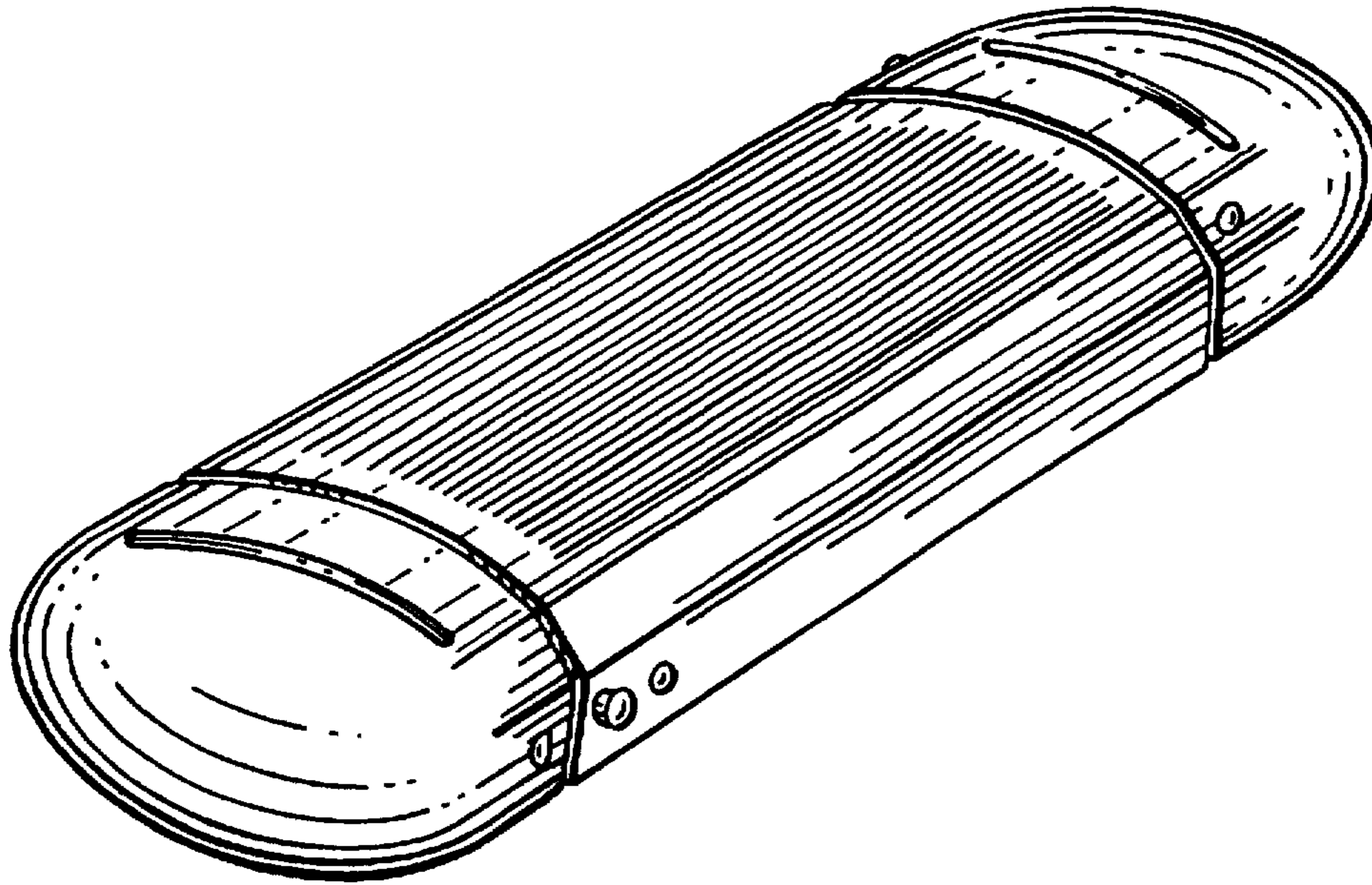
The ornamental design for an eyeglass case, as shown and described.

DESCRIPTION

FIG. 1 is a top/front/left side perspective view of an eyeglass case showing my new design in a closed condition; FIG. 2 is a top view thereof, the bottom view being a mirror image and, therefore, not shown; FIG. 3 is a front view thereof; FIG. 4 is a rear view thereof; FIG. 5 is a right side view thereof; and, FIG. 6 is a top view, with the case shown in an open condition.

The broken line showing of a pair of eyeglasses in FIG. 6 is for illustrative purposes only and forms no part of the claimed design.

1 Claim, 3 Drawing Sheets



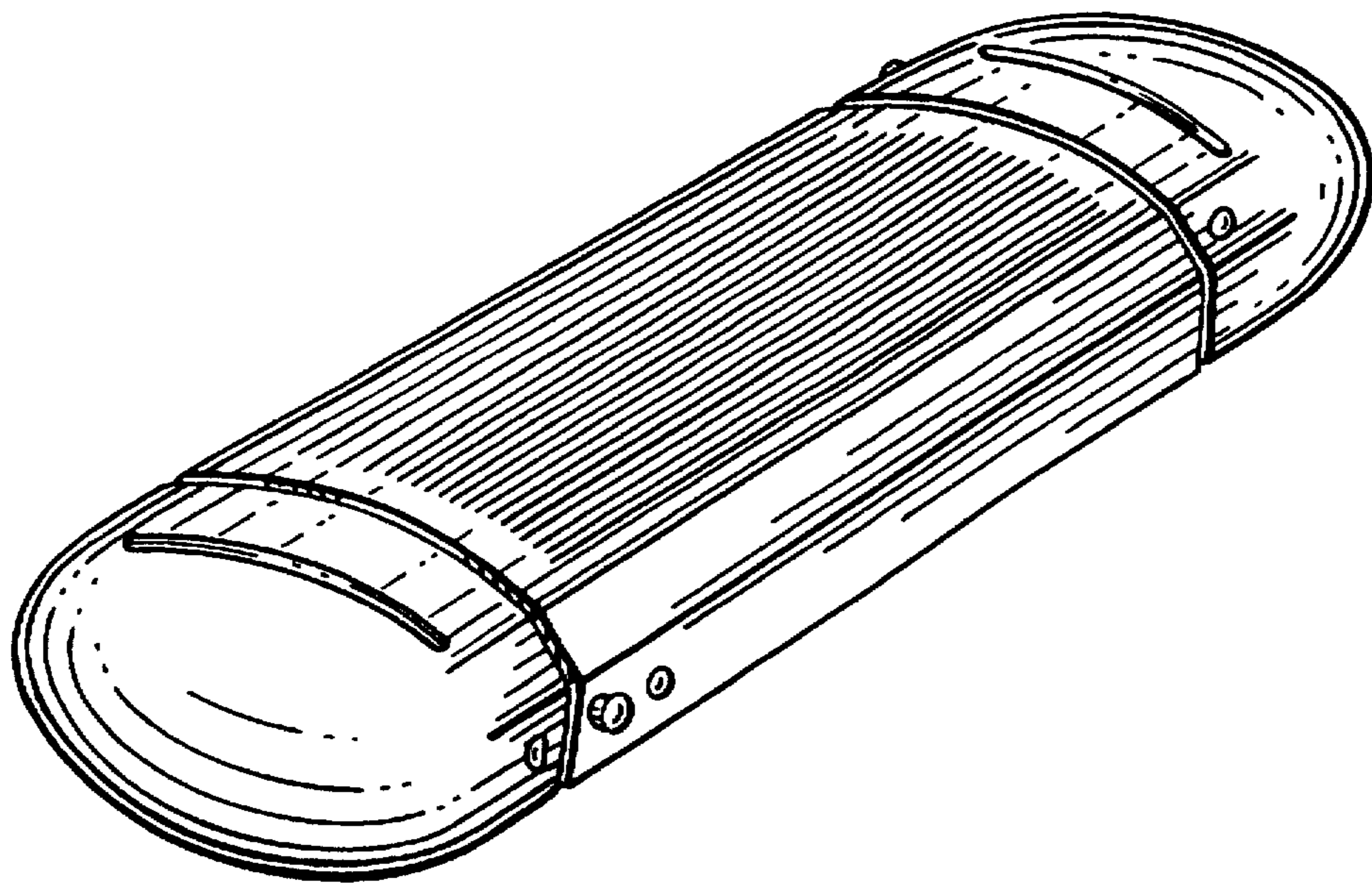


FIG. 1

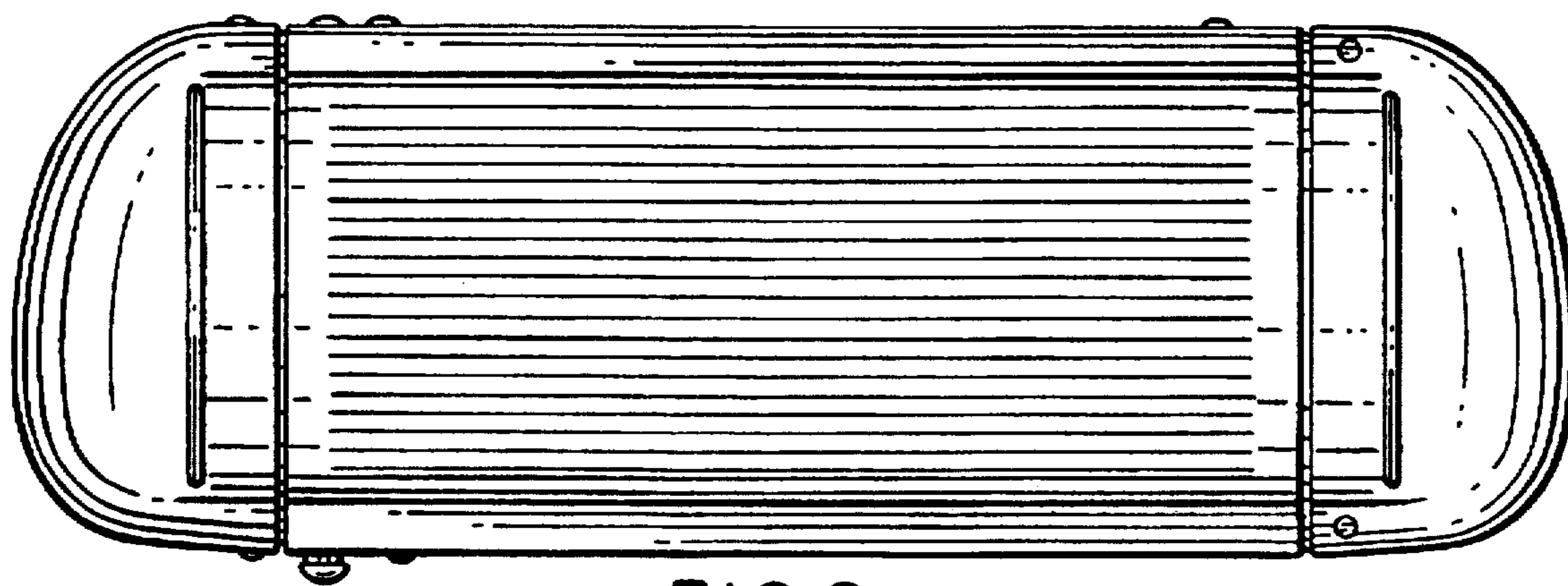


FIG. 2

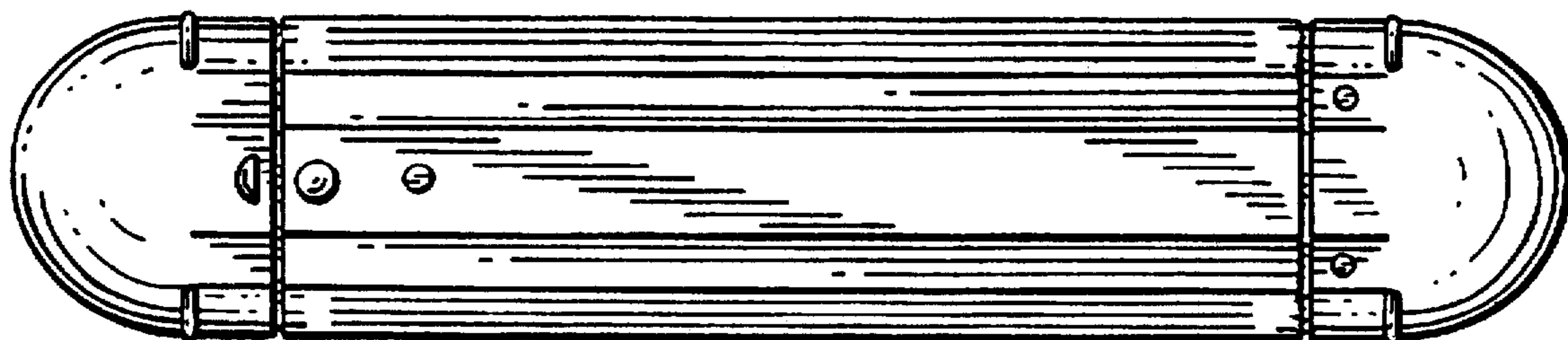


FIG. 3

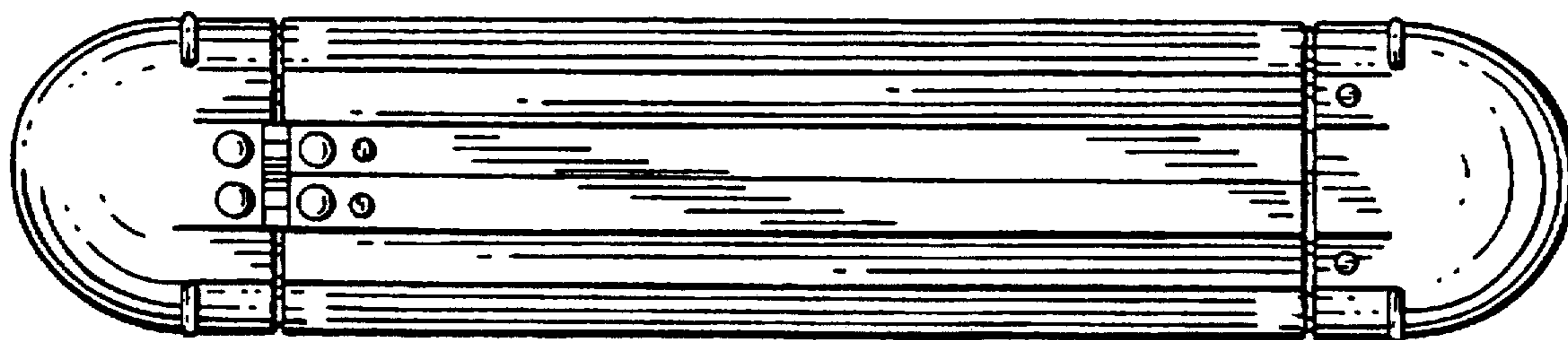


FIG. 4

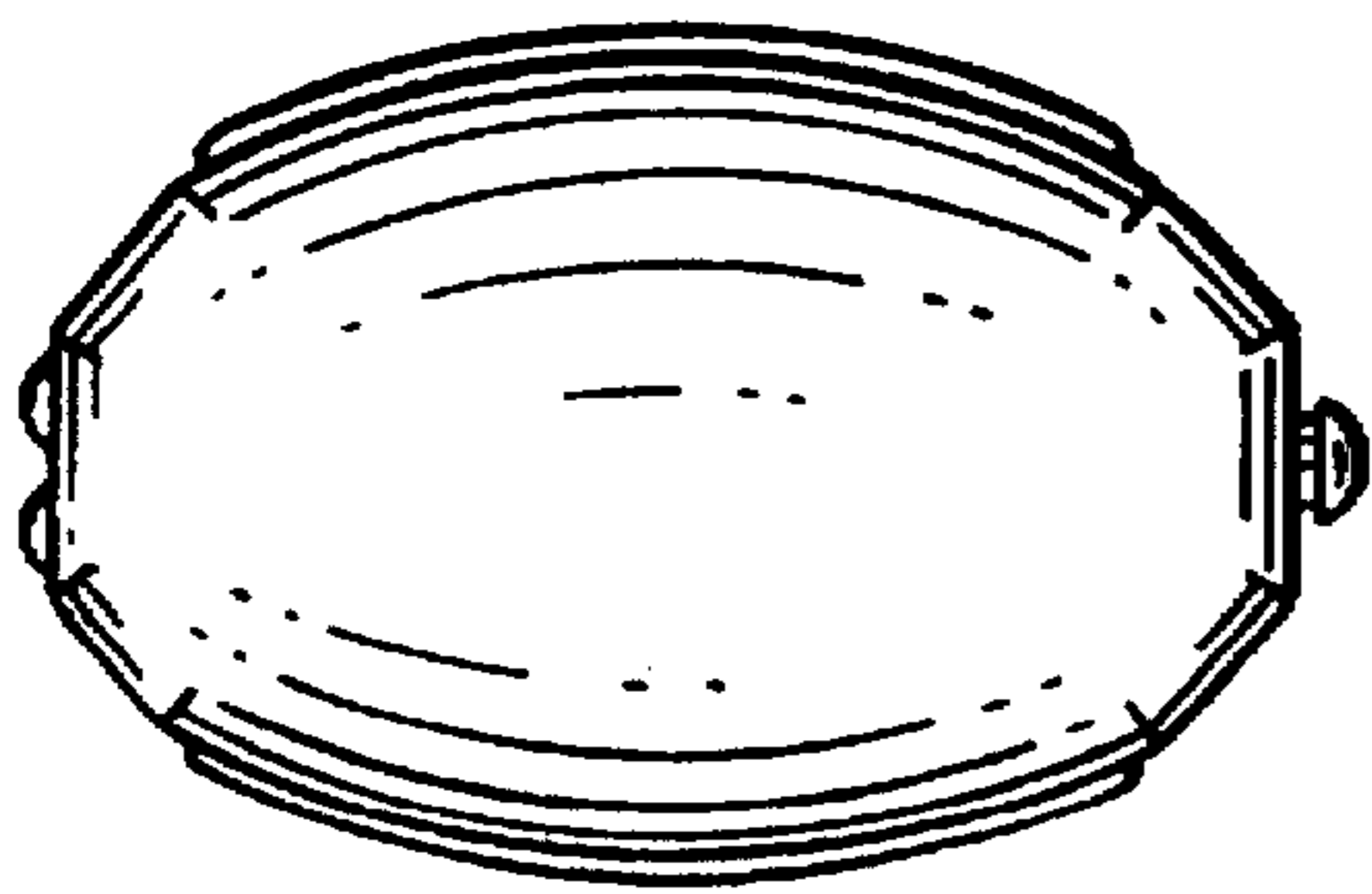


FIG. 5

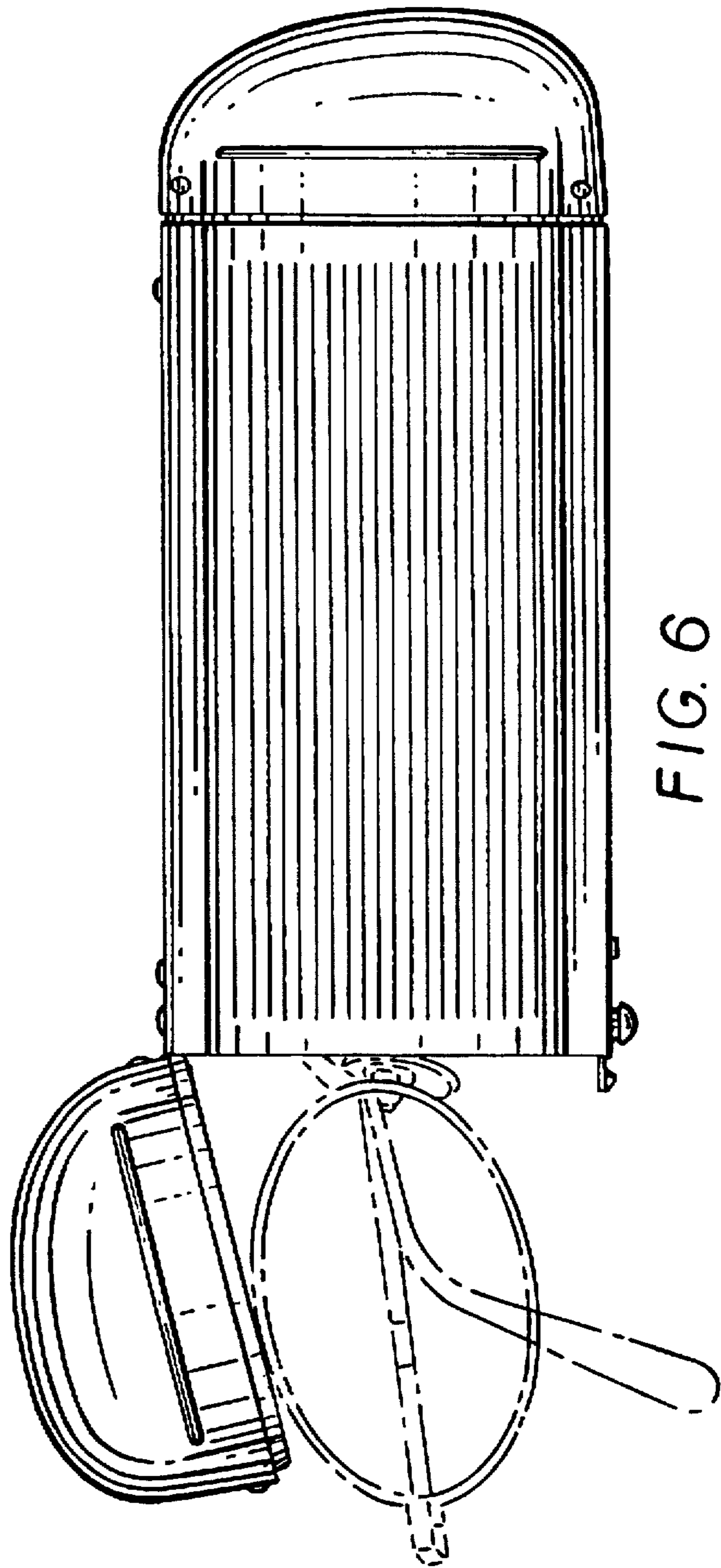


FIG. 6