



US00D396746S

United States Patent [19] Correale

[11] Patent Number: **Des. 396,746**
[45] Date of Patent: ****Aug. 11, 1998**

[54] **BACKPACK**

[76] Inventor: **David Correale**, 3004 - 39th Avenue,
Vernon, BC, Canada, V1T 3C3

[**] Term: **14 Years**

[21] Appl. No.: **76,010**

[22] Filed: **Aug. 29, 1997**

[51] **LOC (6) Cl.** **03-01**

[52] **U.S. Cl.** **D3/217**

[58] **Field of Search** D3/216, 217, 327;
224/637-640, 651, 652, 653, 657, 659,
627

[56] **References Cited**

U.S. PATENT DOCUMENTS

D. 315,825	4/1991	Hutton et al.	D3/217
D. 359,847	7/1995	Callegari	D3/217
D. 374,979	10/1996	Roberson et al.	D3/217
D. 375,622	11/1996	Croft	D3/217
4,318,502	3/1982	Lowe et al.	224/637 X
5,255,834	10/1993	Bendersky	D3/217 X

5,361,951	11/1994	Chehebar	224/645 X
5,676,293	10/1997	Farris	224/637 X

OTHER PUBLICATIONS

HongKong Enterprise, p. 994, Oct. 1994.

Primary Examiner—Prabhakar G. Deshmukh
Attorney, Agent, or Firm—George A. Seaby

[57] **CLAIM**

The ornamental design for a backpack, as shown and described.

DESCRIPTION

FIG. 1 is a front view of the backpack;
FIG. 2 is a rear view of the backpack;
FIG. 3 is a side view of the backpack as seen from the right in FIG. 1;
FIG. 4 is a side view of the backpack as seen from the left in FIG. 1;
FIG. 5 is a top view of the backpack; and
FIG. 6 is a bottom view of the backpack.

1 Claim, 3 Drawing Sheets

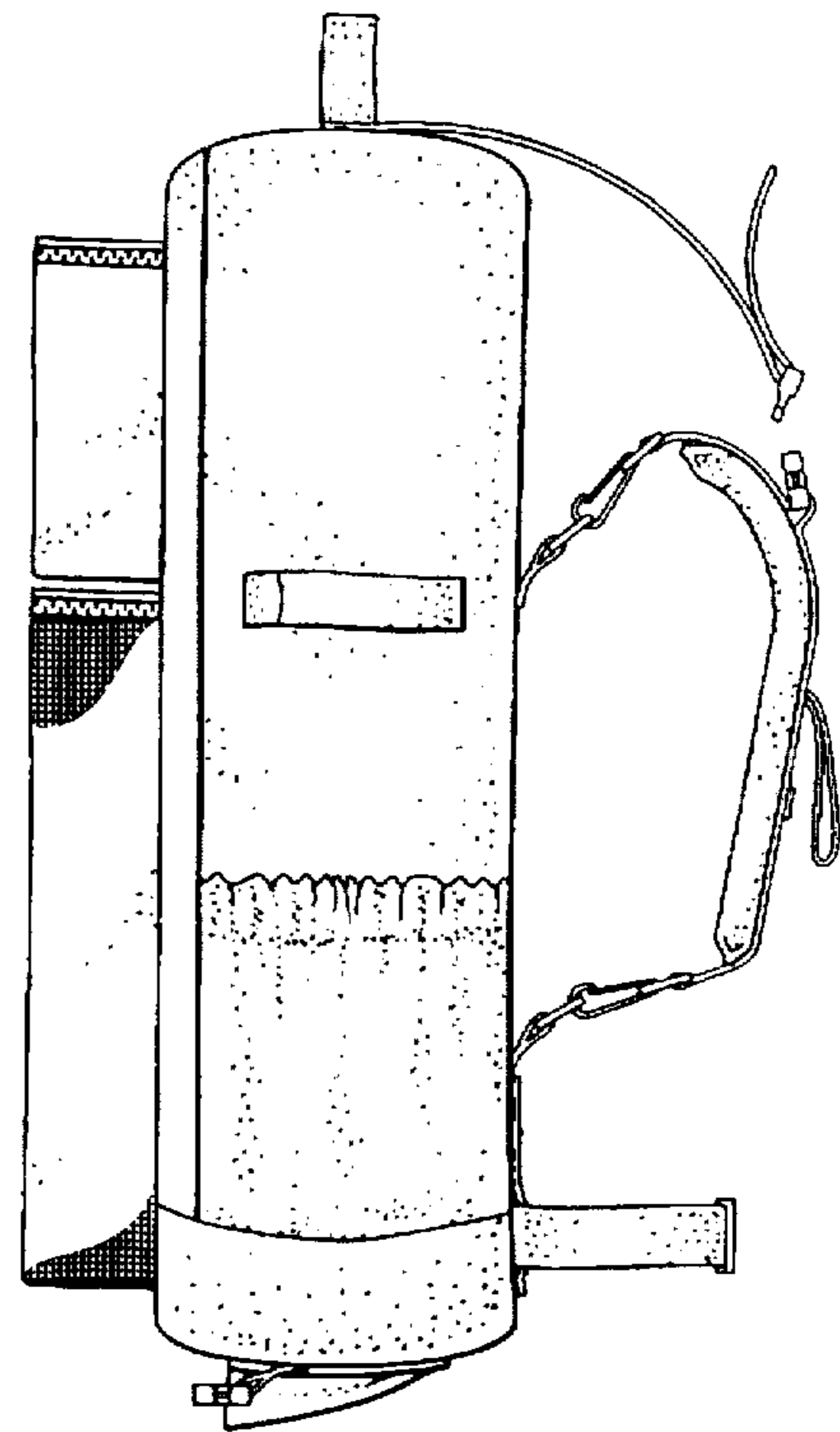
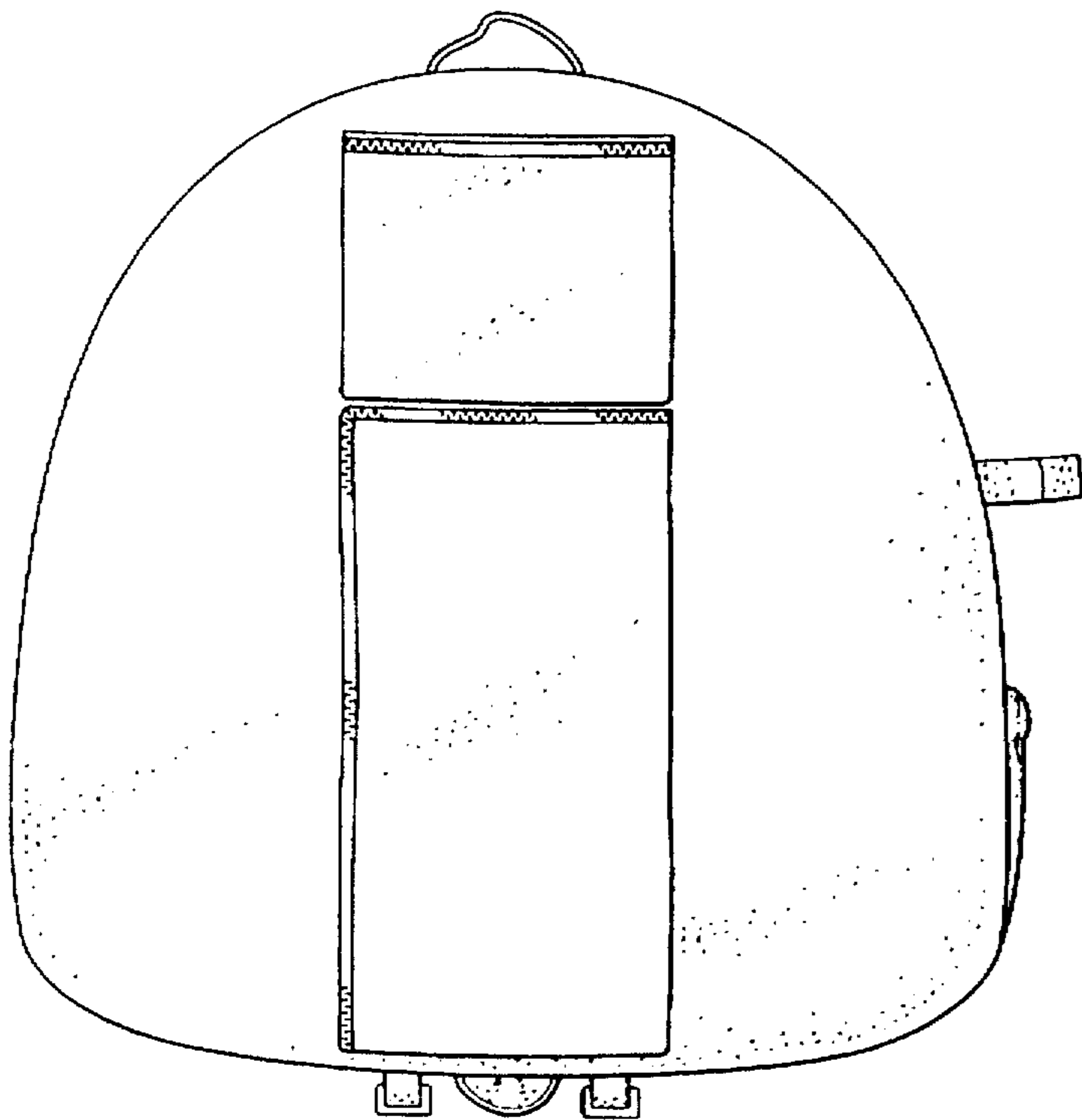


FIG. 1

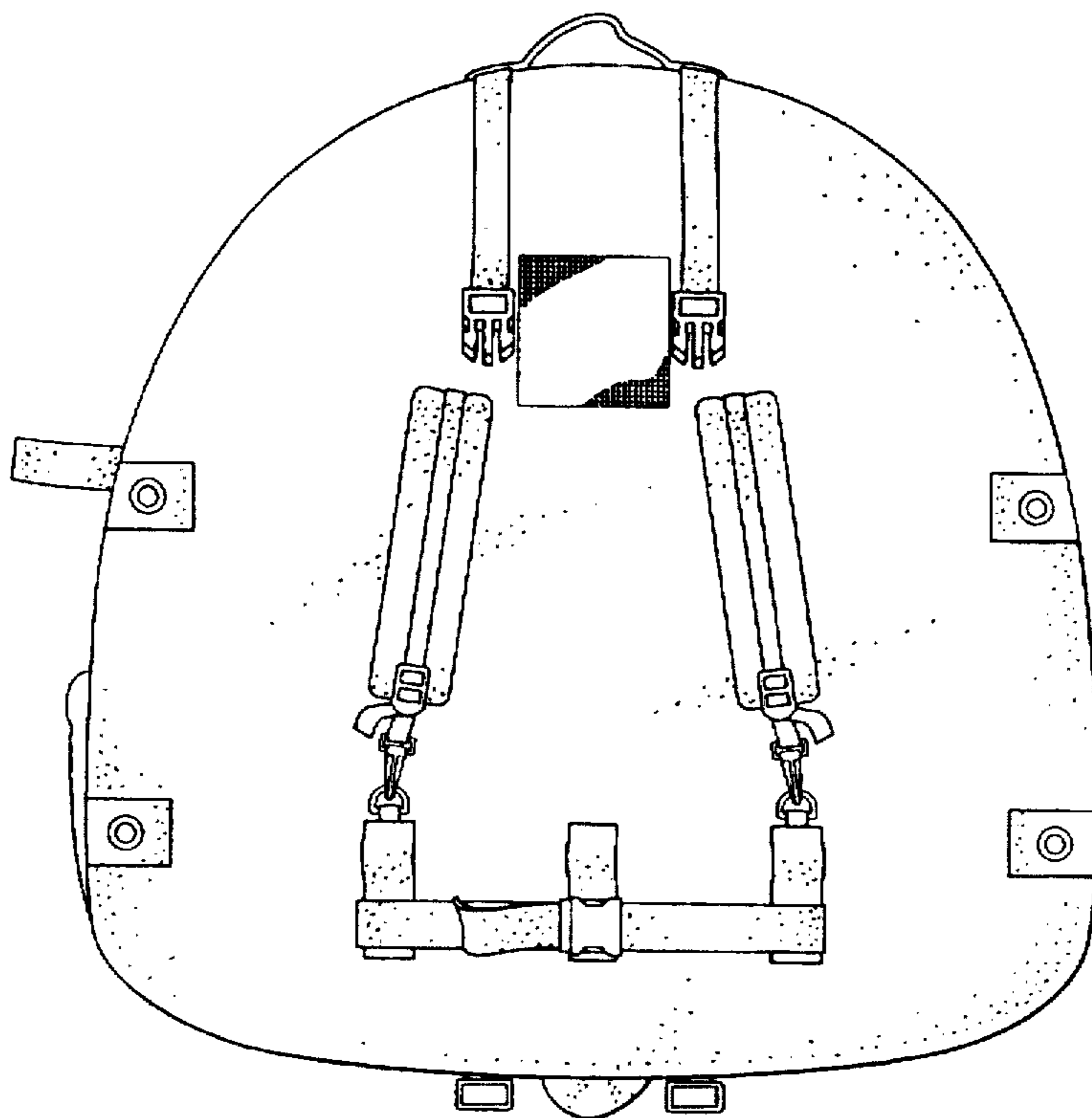
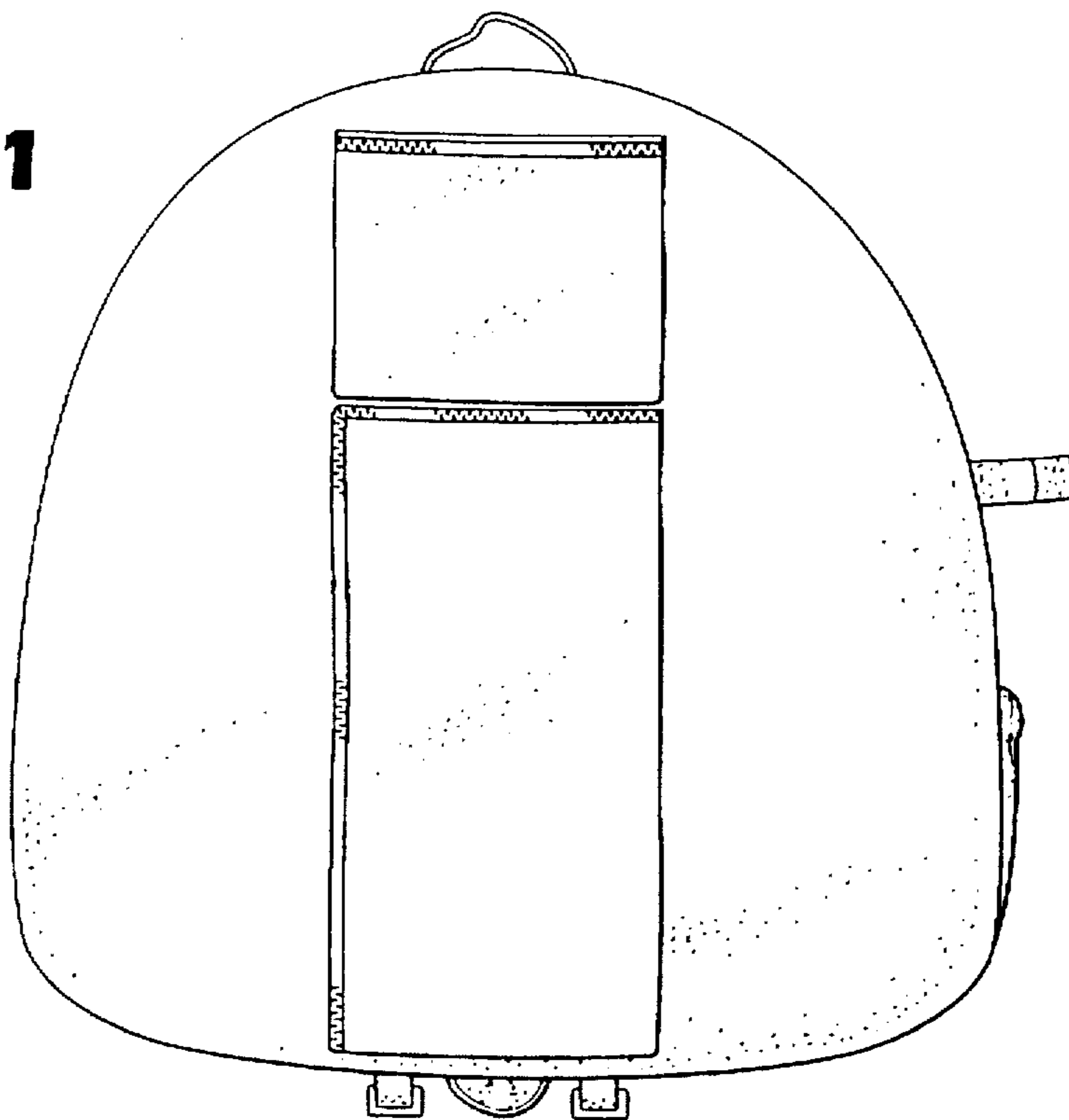


FIG. 2

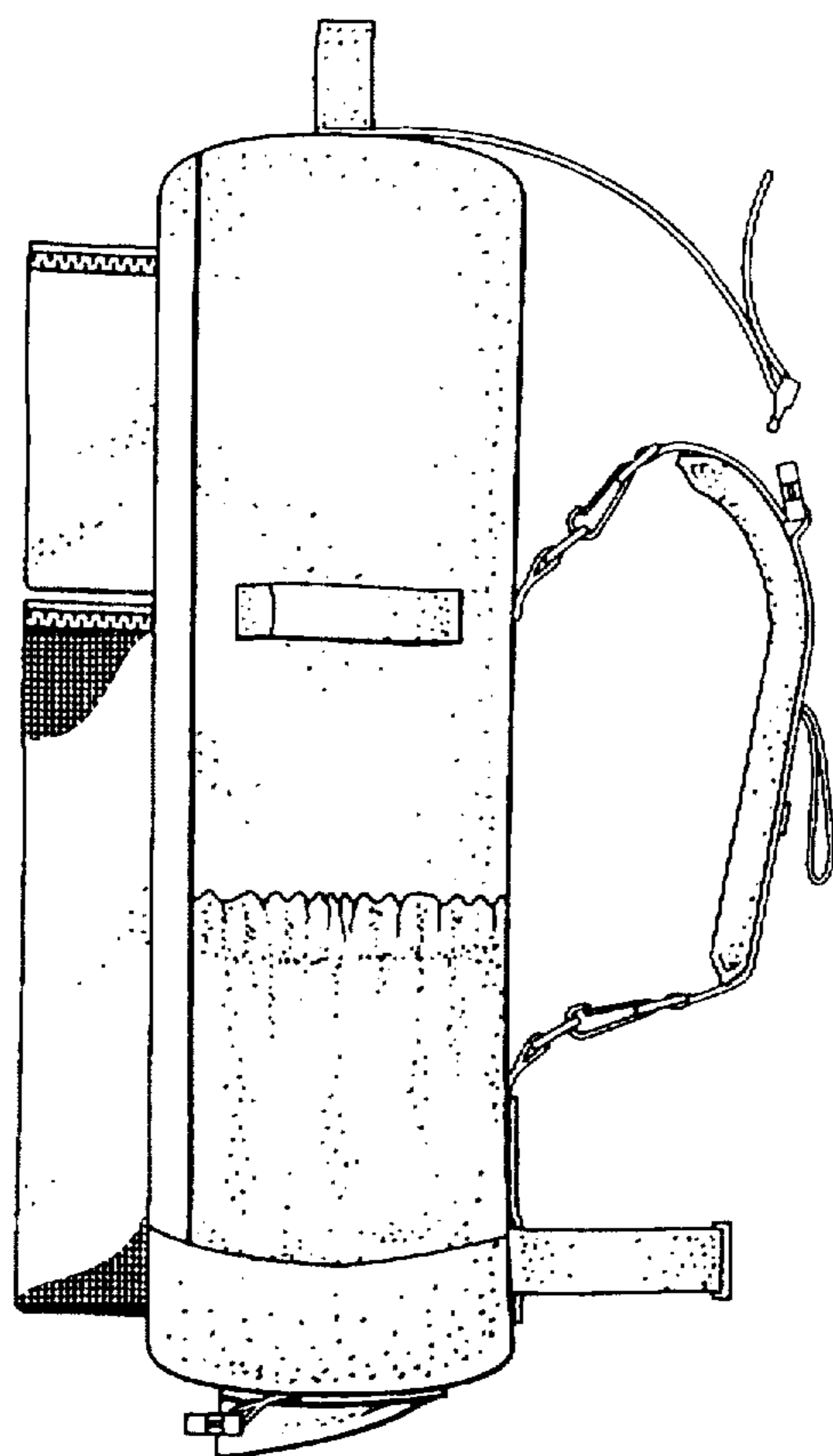


FIG. 3

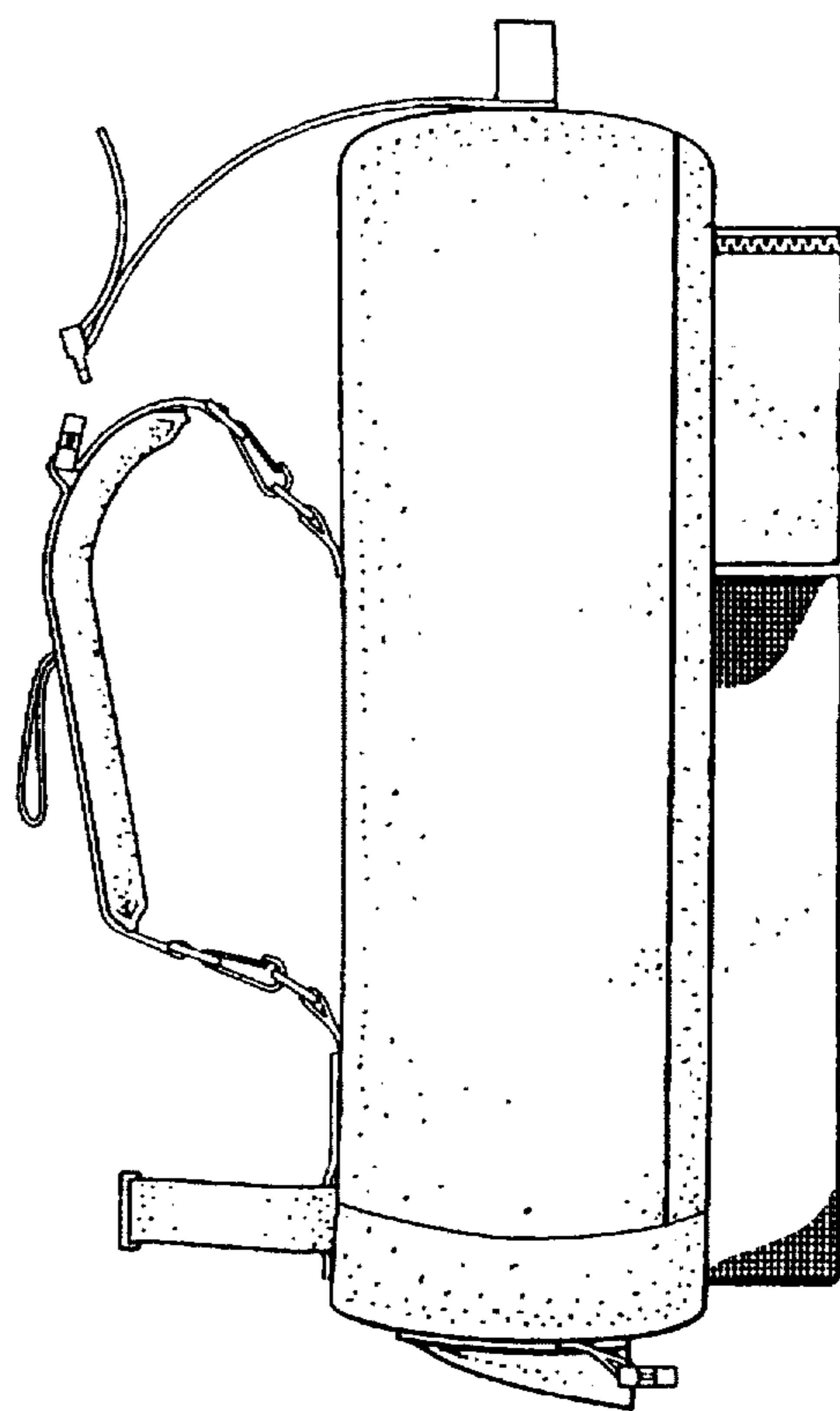


FIG. 4

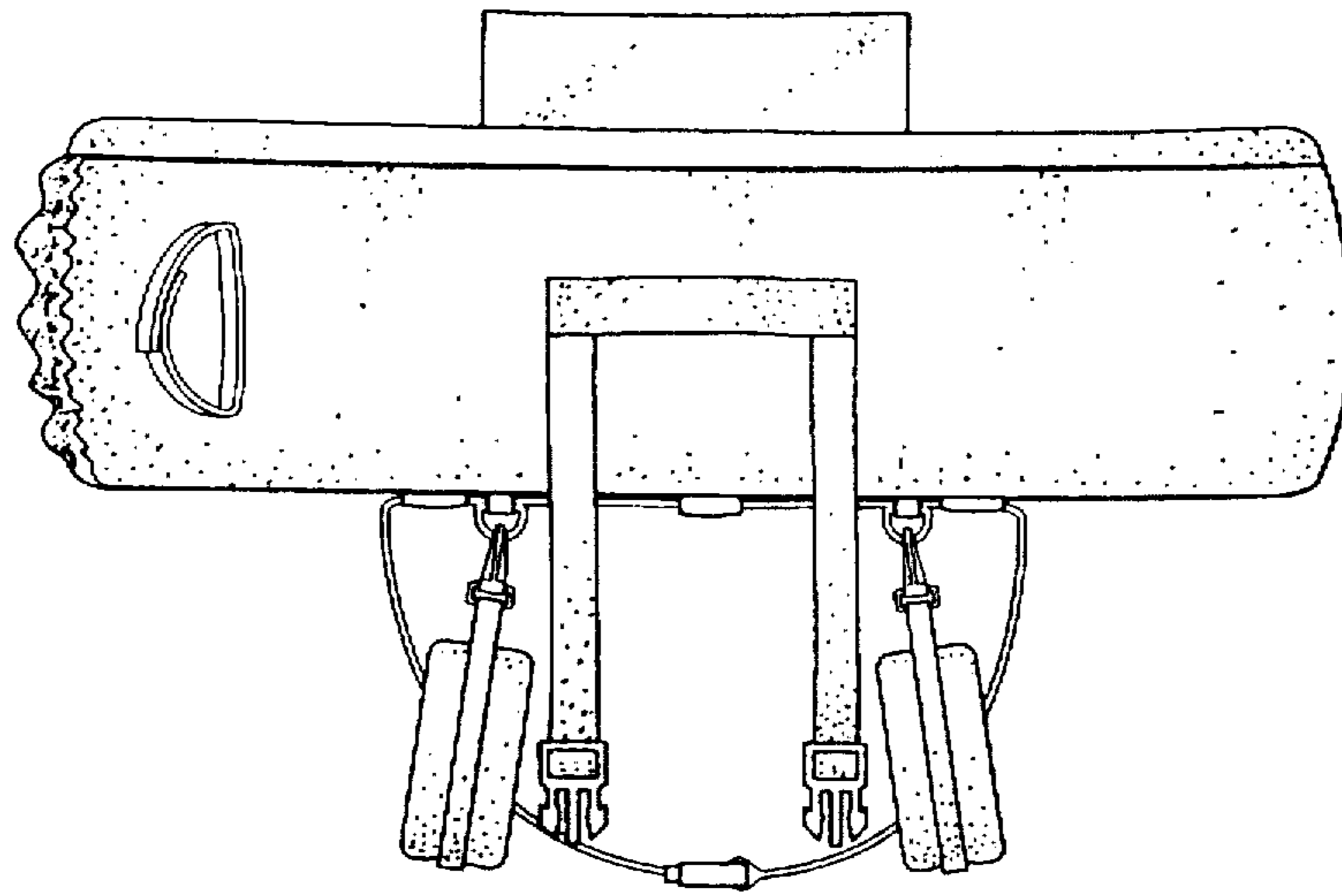


FIG. 5

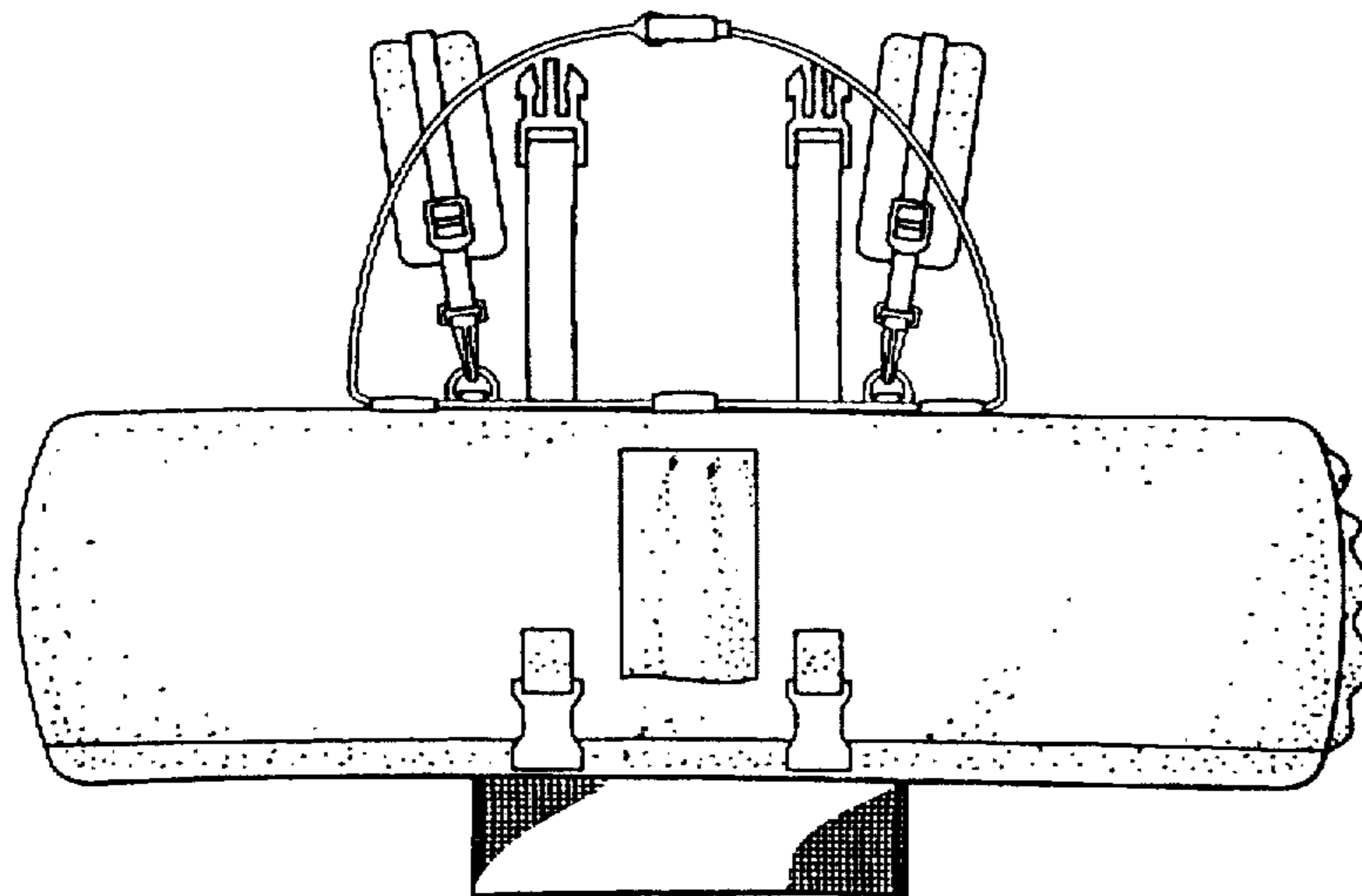


FIG. 6