



US00D396742S

**United States Patent** [19]  
**Raymond**

[11] **Patent Number:** **Des. 396,742**  
[45] **Date of Patent:** **\*\*Aug. 11, 1998**

[54] **SEGMENTED WALKING STICK**

5,653,468 8/1997 Ostapyk ..... 135/66 X

[76] **Inventor:** **Art Raymond**, 262 Brooklyn Turnpike,  
Hampton, Conn. 06247

*Primary Examiner*—Doris V. Coles  
*Assistant Examiner*—Catherine R. Oliver  
*Attorney, Agent, or Firm*—George R. McGuire

[\*\*] **Term:** **14 Years**

[57] **CLAIM**

[21] **Appl. No.:** **69,971**

The ornamental design for segmented walking stick, as shown and described.

[22] **Filed:** **Apr. 21, 1997**

**DESCRIPTION**

[51] **LOC (6) Cl.** ..... **03-03**

[52] **U.S. Cl.** ..... **D3/7**

[58] **Field of Search** ..... D3/5, 6, 7, 8,  
D3/12; 135/65, 66, 69, 74

FIG. 1 is a perspective view of a segmented walking stick showing my new design;

FIG. 2 is a side elevational view thereof;

FIG. 3 is an opposite side elevational view thereof;

FIG. 4 is a bottom plan view thereof;

FIG. 5 is a top plan view thereof; and,

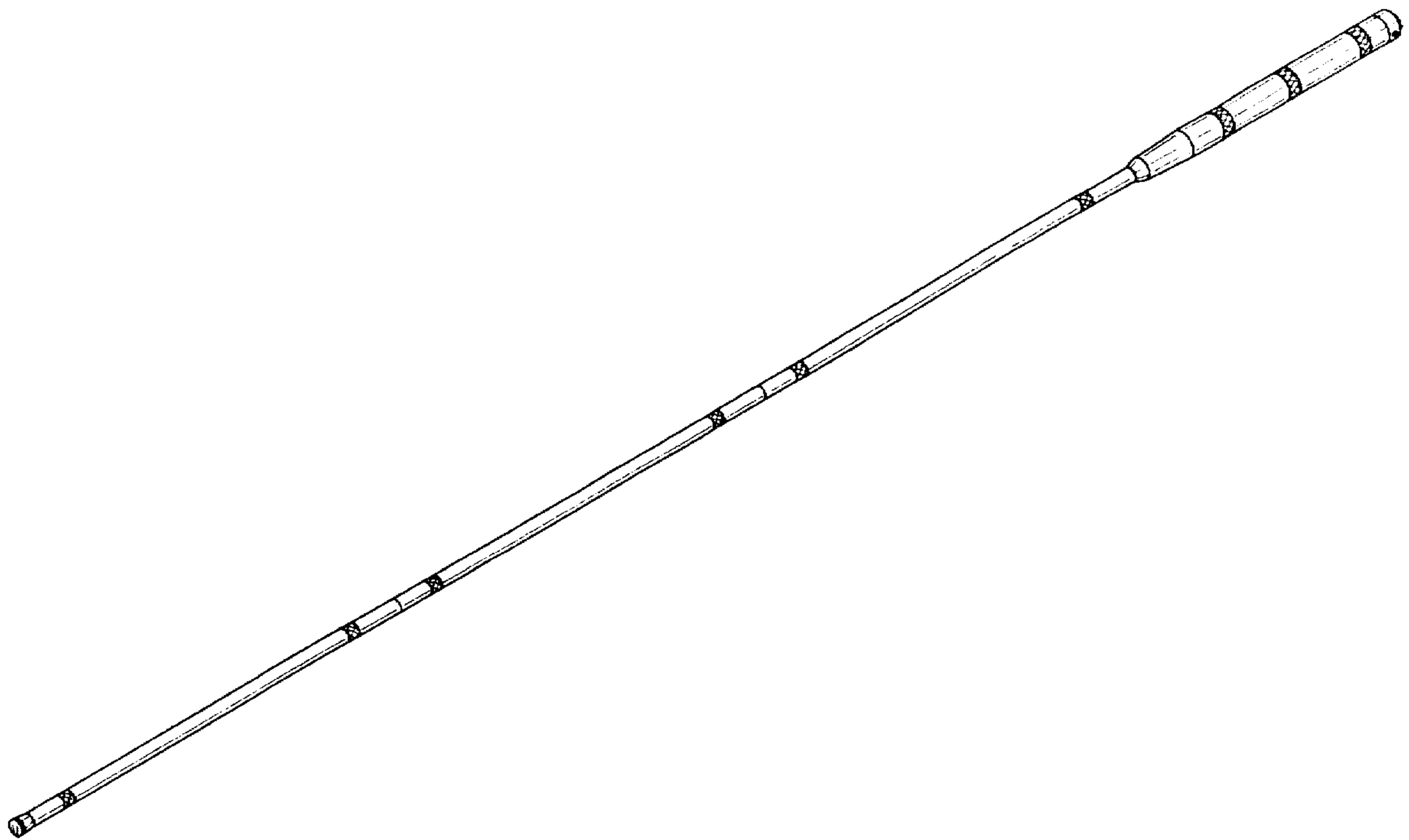
FIG. 6 is an exploded perspective view shown in a segmented condition. The portions shown in phantom, a plumb bob and flashlight, are shown for illustrative purposes only and form no part of the claimed design.

[56] **References Cited**

**U.S. PATENT DOCUMENTS**

1,331,633	2/1920	Fetters	135/65
3,289,685	12/1966	Parker	135/65
4,351,348	9/1982	Axton	135/66
4,407,318	10/1983	Stuever	135/66
5,577,827	11/1996	Leffingwell et al.	135/66 X

**1 Claim, 3 Drawing Sheets**



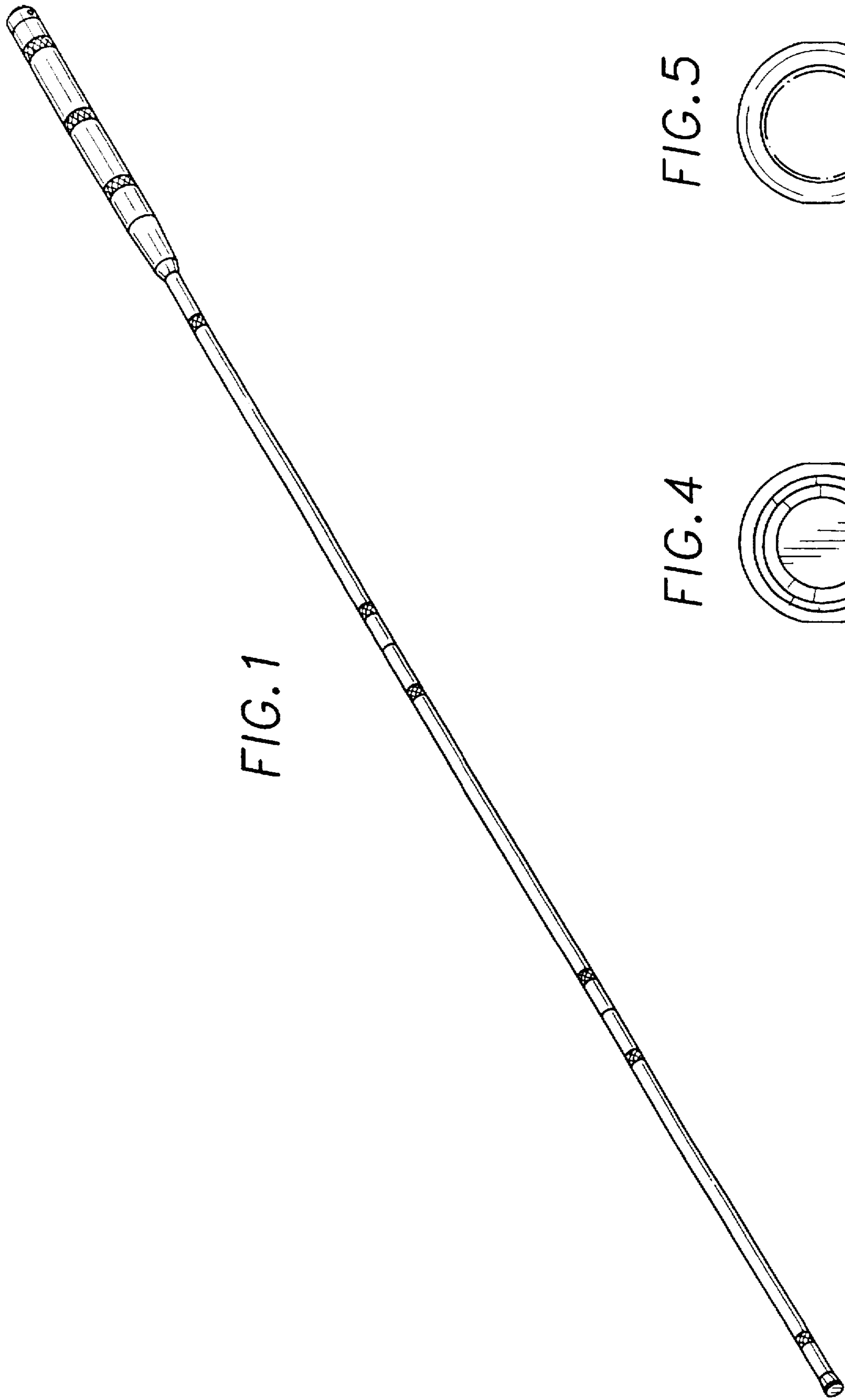


FIG. 1

FIG. 5

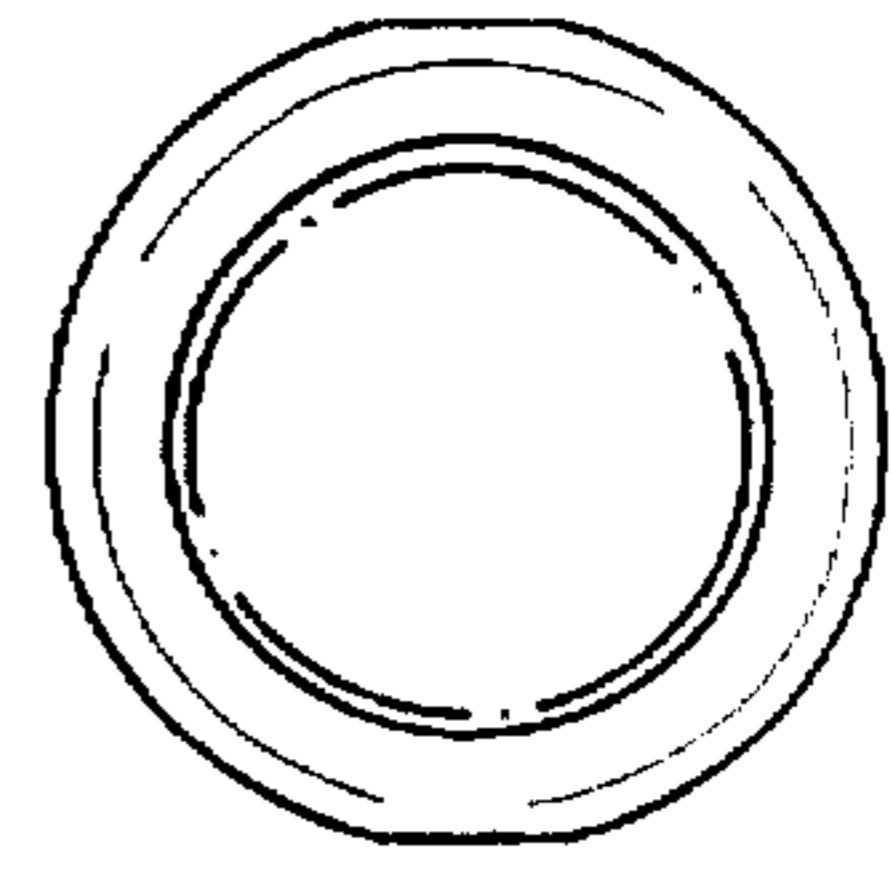


FIG. 4

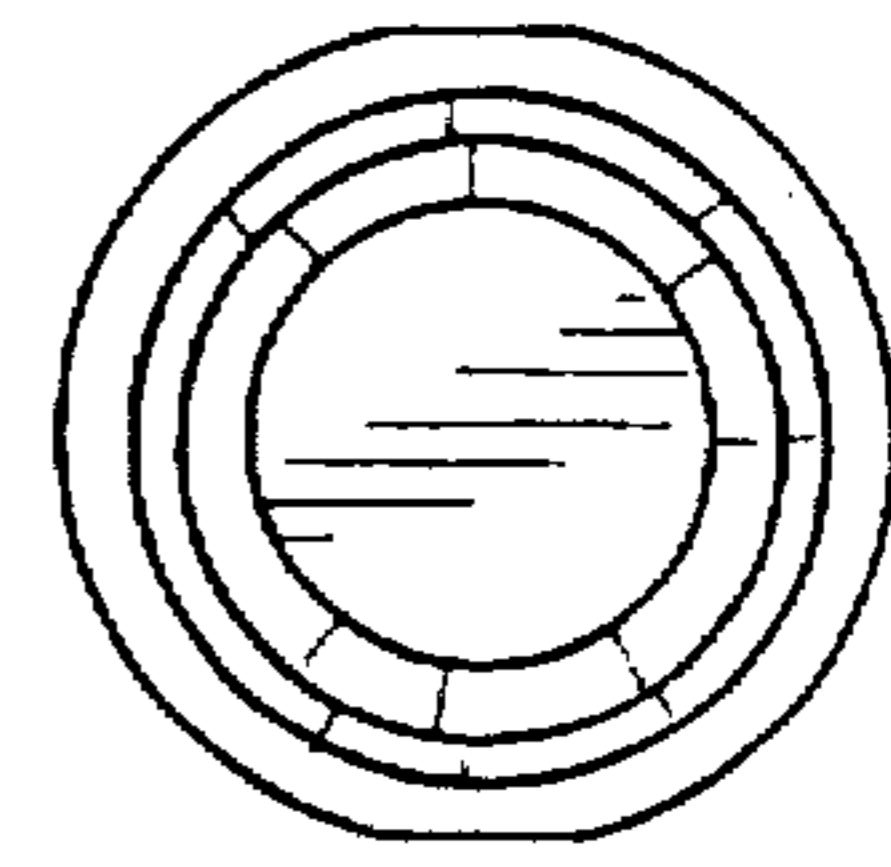


FIG. 2



FIG. 3



