

US00D396736S

# United States Patent [19]

Davis

[11] Patent Number: **Des. 396,736**

[45] Date of Patent: **\*\*Aug. 11, 1998**

[54] **SEAT BELT BUCKLE COVER**

[76] Inventor: **Darlene Davis**, RR #1, Mt. Pleasant  
City, Ontario, Canada, N0E 1K0

[\*\*] Term: **14 Years**

[21] Appl. No.: **75,566**

[22] Filed: **Aug. 21, 1997**

[51] LOC (6) Cl. .... **02-07**

[52] U.S. Cl. .... **D2/639**

[58] Field of Search ..... D11/200, 218;  
D2/639; 294/602; 70/63; 297/463, 482;  
224/224, 227, 264; 206/421, 485; 24/633,  
602; D9/415, 418, 432

[56] **References Cited**

**U.S. PATENT DOCUMENTS**

D. 312,921	12/1990	Chang	.....	D2/639
D. 338,552	8/1993	Carrico et al.	.....	D2/639
D. 343,284	1/1994	Jaramillo	.....	D2/639
D. 362,536	9/1995	Manade, Jr.	.....	D2/639
D. 369,671	5/1996	Gordon	.....	D2/639
4,014,080	3/1977	Caradec	.....	294/602

4,497,094	2/1985	Morris	.....	24/633
4,674,303	6/1987	Salcone, II	.....	70/63
4,878,277	11/1989	Portuese	.....	24/633
5,442,840	8/1995	Ewald	.....	24/633
5,617,617	4/1997	Gustin	.....	24/633

*Primary Examiner*—Ralf Seifert

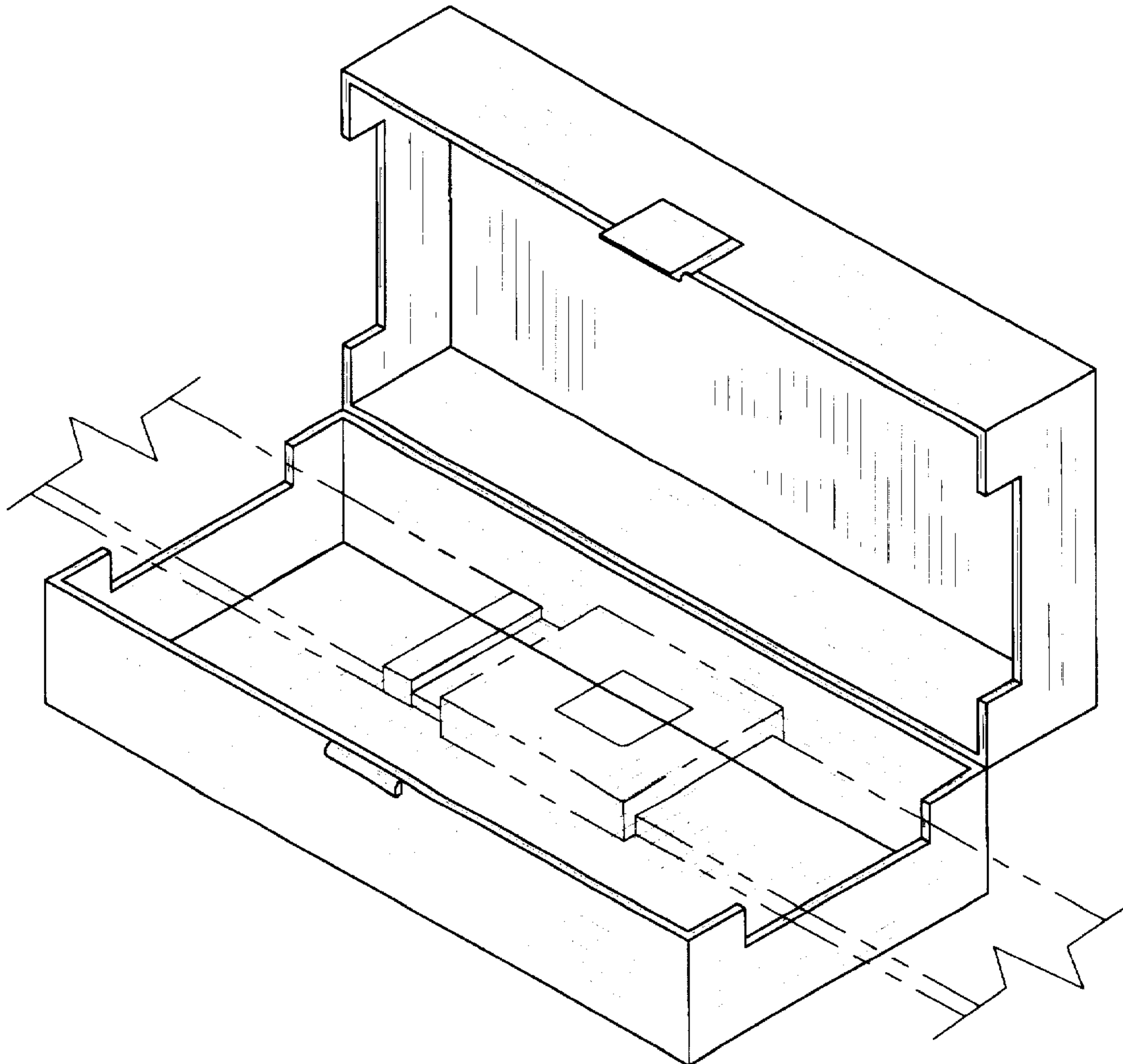
[57] **CLAIM**

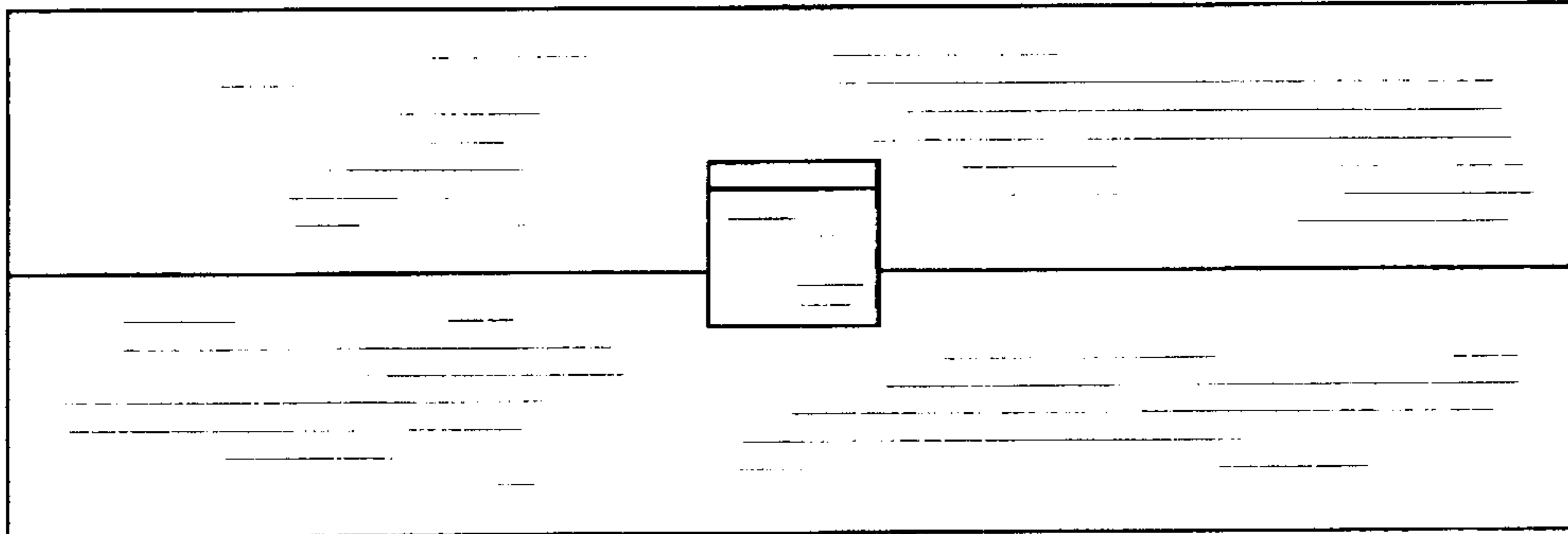
The ornamental design for a seat belt buckle cover, as shown and described.

**DESCRIPTION**

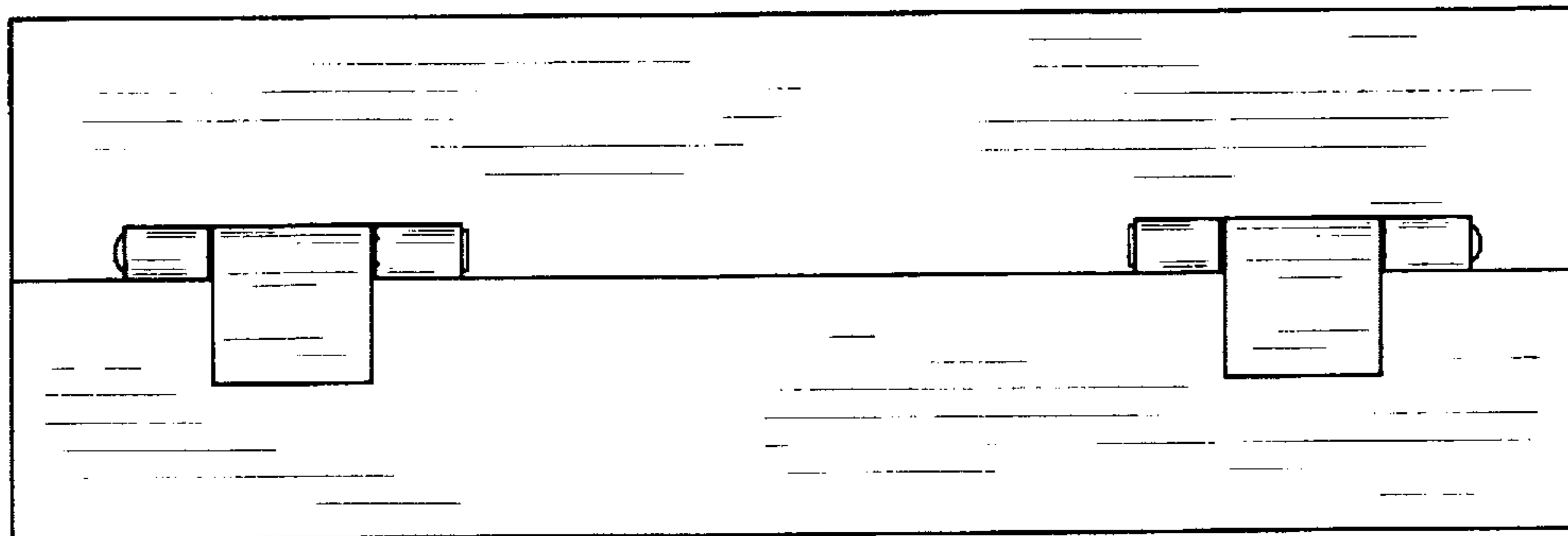
FIG. 1 is a front elevational view of a seat belt buckle cover showing my new design;  
 FIG. 2 is a rear elevational view;  
 FIG. 3 is a left side elevational view;  
 FIG. 4 is a right side elevational view;  
 FIG. 5 is a top plan view;  
 FIG. 6 is a bottom plan view; and,  
 FIG. 7 is a perspective view shown in use with the cover in an open position. the broken line showing of a safety belt and buckle is for illustrative purposes only and forms no part of the claimed design.

**1 Claim, 4 Drawing Sheets**

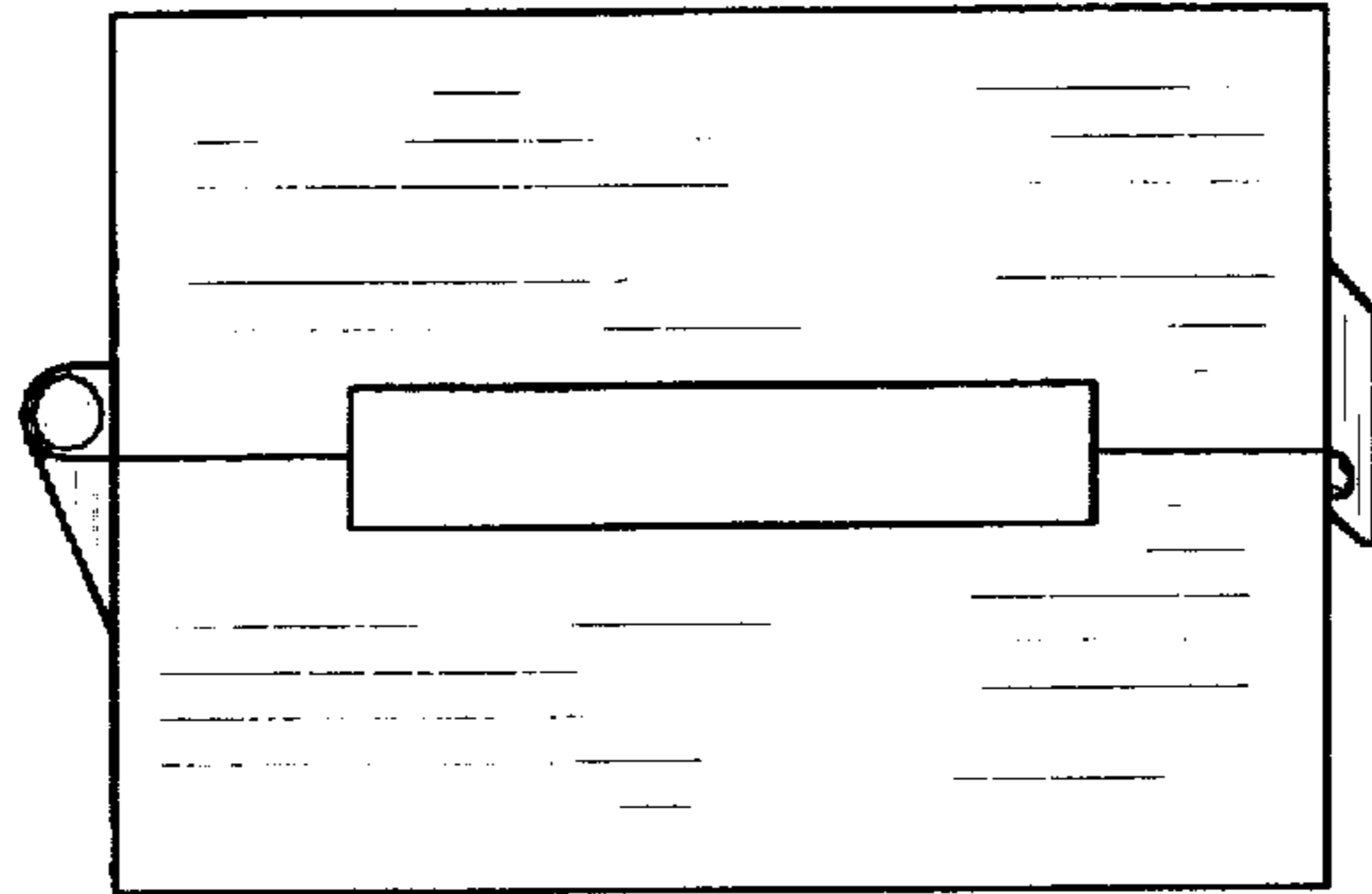




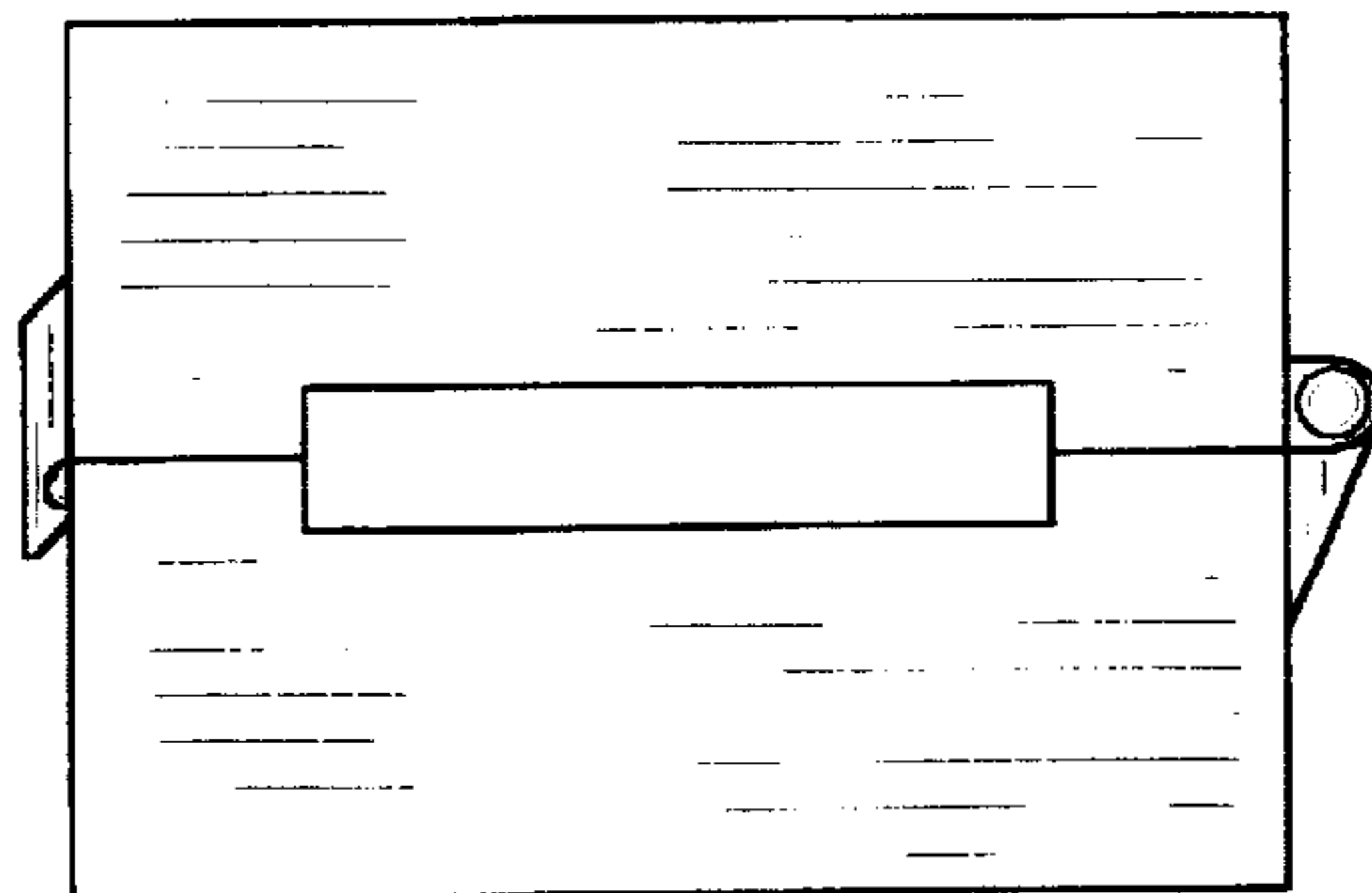
*Fig. 1*



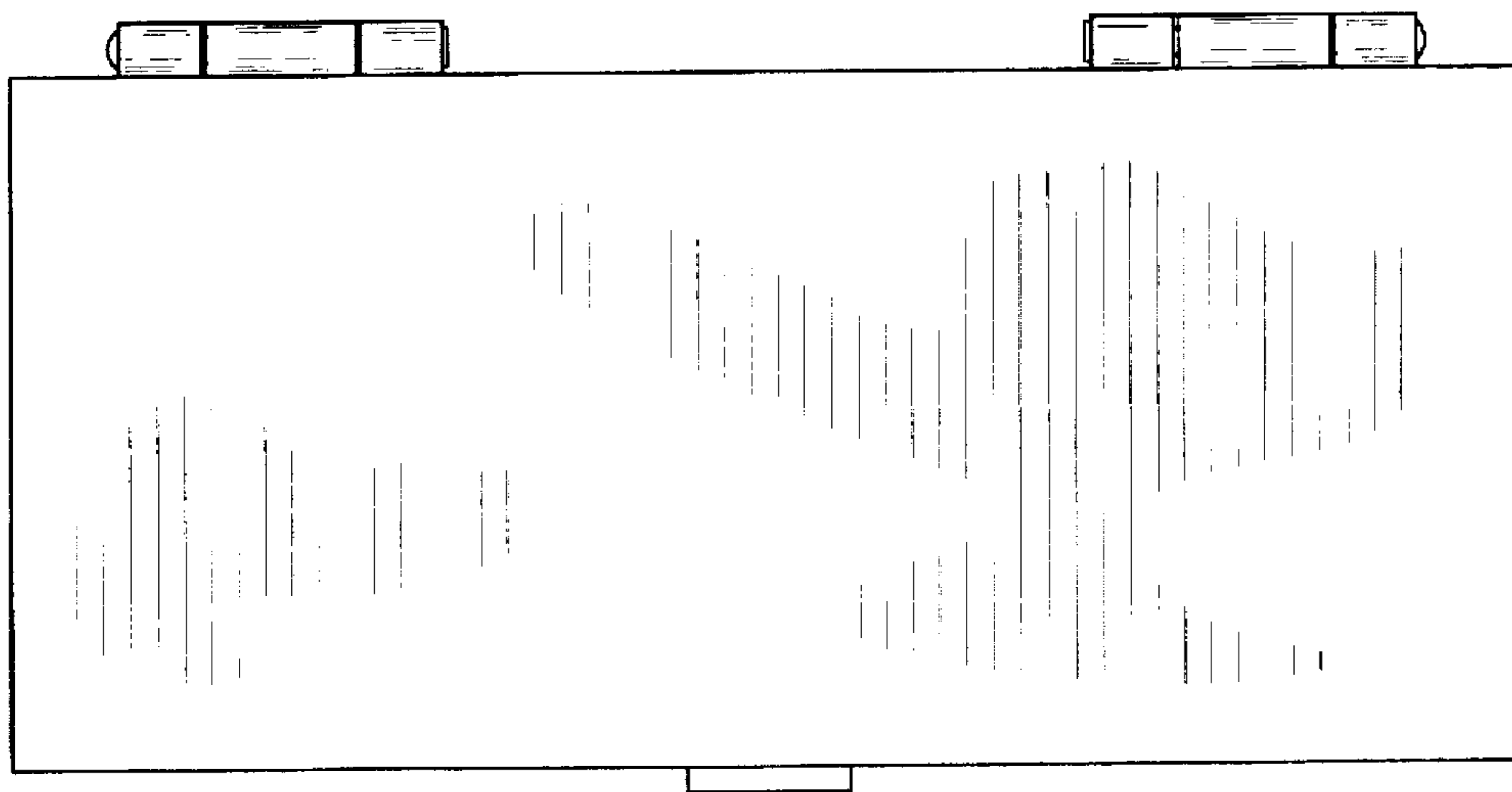
*Fig. 2*



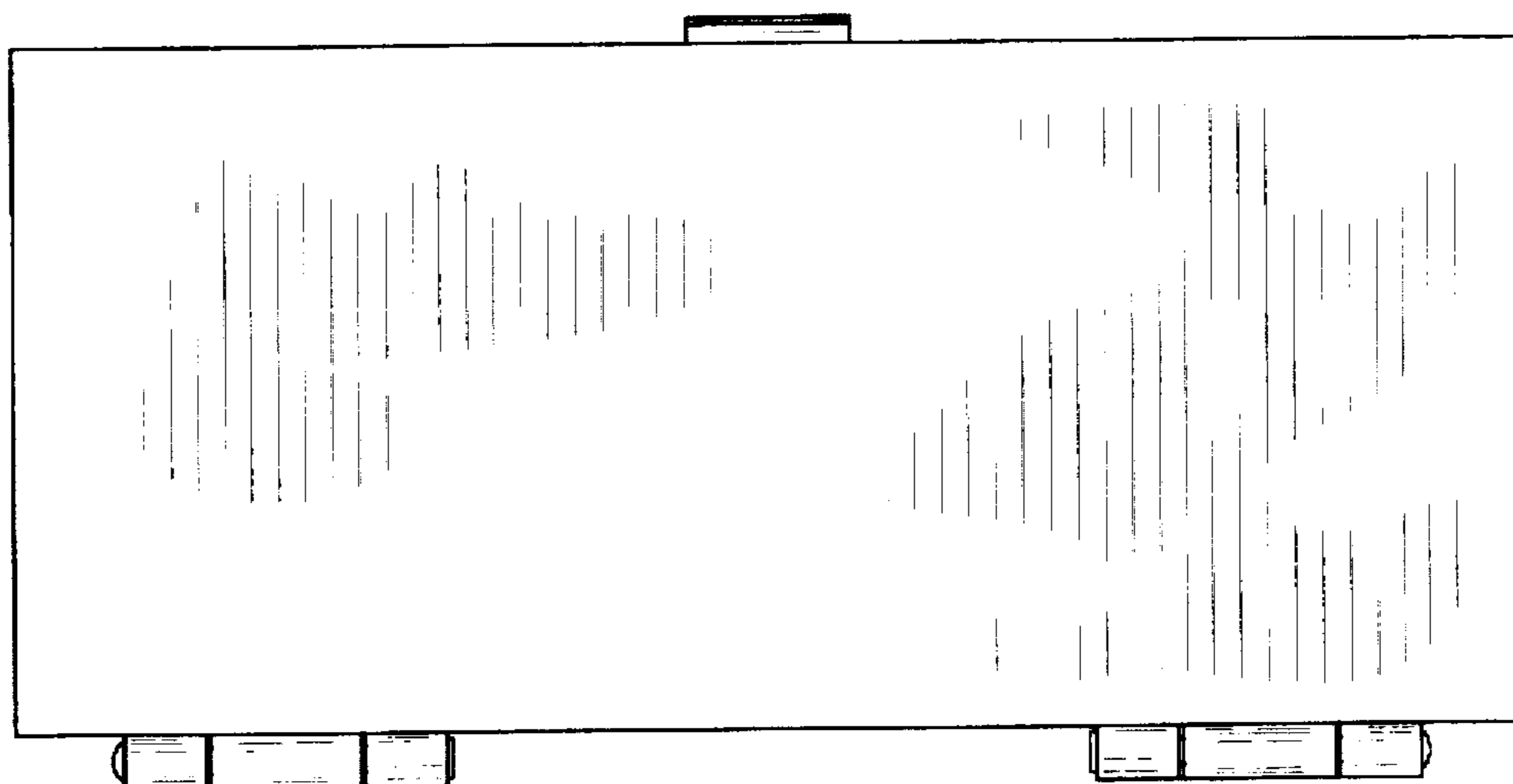
*Fig. 3*



*Fig. 4*



*Fig. 5*



*Fig. 6*

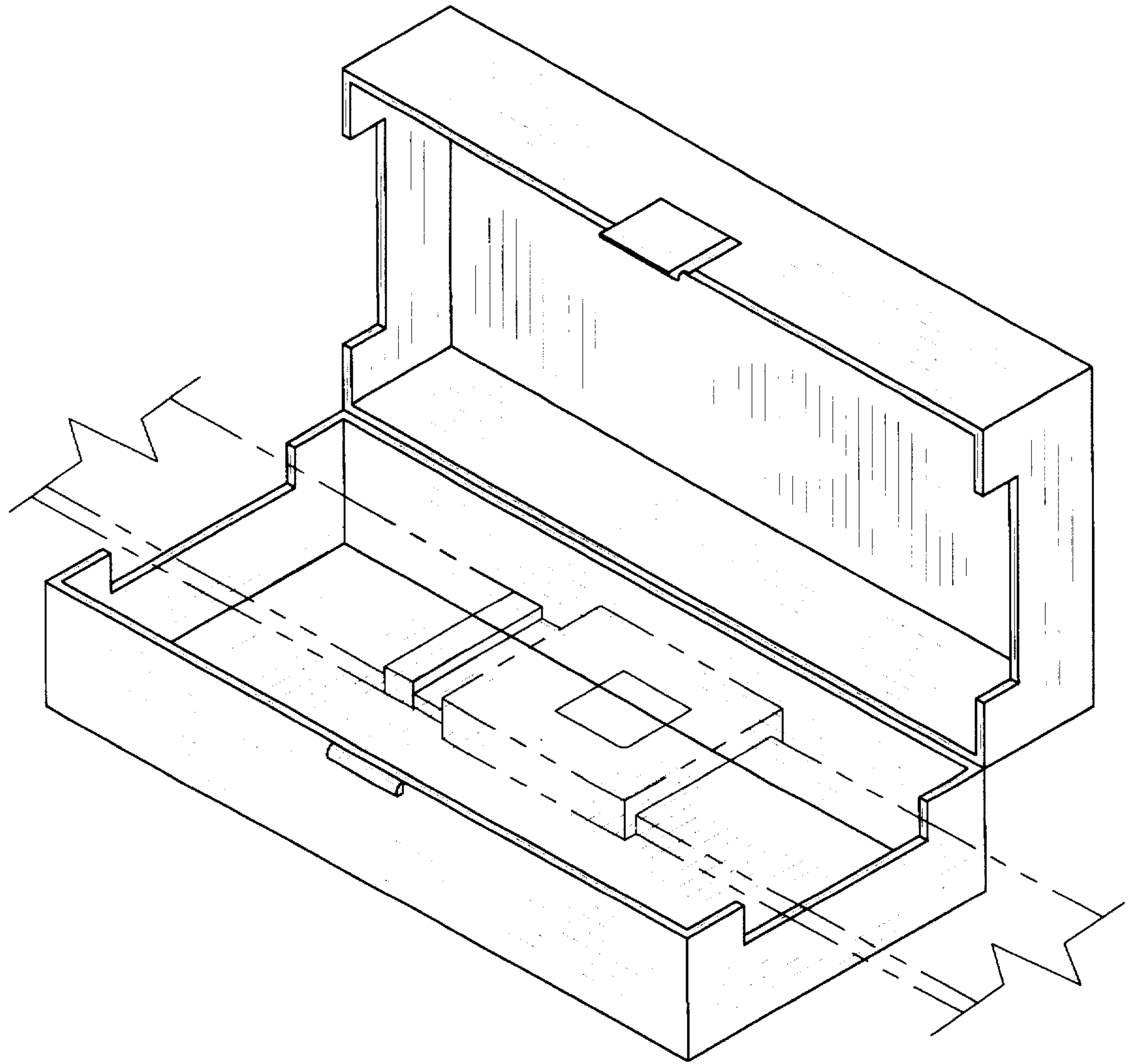


Fig. 7