



US00D396732S

United States Patent [19]
Bucher

[11] **Patent Number: Des. 396,732**
[45] **Date of Patent: **Aug. 4, 1998**

[54] **HUMIDOR FOR CIGARS**

2,130,488 9/1938 Funk 229/909

[76] **Inventor: Paul G. Bucher, 3651 SW. 132nd Ave., Miami, Fla. 33175**

Primary Examiner—Susan J. Lucas
Assistant Examiner—Jennifer Rivard
Attorney, Agent, or Firm—J. Sanchelima

[**] **Term: 14 Years**

[57] **CLAIM**

[21] **Appl. No.: 64,127**

The ornamental design for humidor for cigars, as shown and described.

[22] **Filed: Dec. 23, 1996**

[51] **LOC (6) Cl. 27-06**

DESCRIPTION

[52] **U.S. Cl. D27/189; D27/186**

FIG. 1 is a top view of a humidor for cigars, showing my new design;

[58] **Field of Search D3/206; D19/77, D19/81, 83, 85; 131/329, 187; D27/183, 186-194, 172; 206/213.1, 242, 256, 269, 265, 268, 249, 261; 229/909; 220/326; 312/31.1, 31.04; 217/5, 56, 3 BC, 62, 63**

FIG. 2 is a front elevational view thereof;

FIG. 3 is a bottom view thereof;

FIG. 4 is a side elevational view thereof;

FIG. 5 is a rear elevational view thereof;

FIG. 6 is the opposite side elevational view of FIG. 4;

FIG. 7 is an isometric view showing the interior design thereof; and,

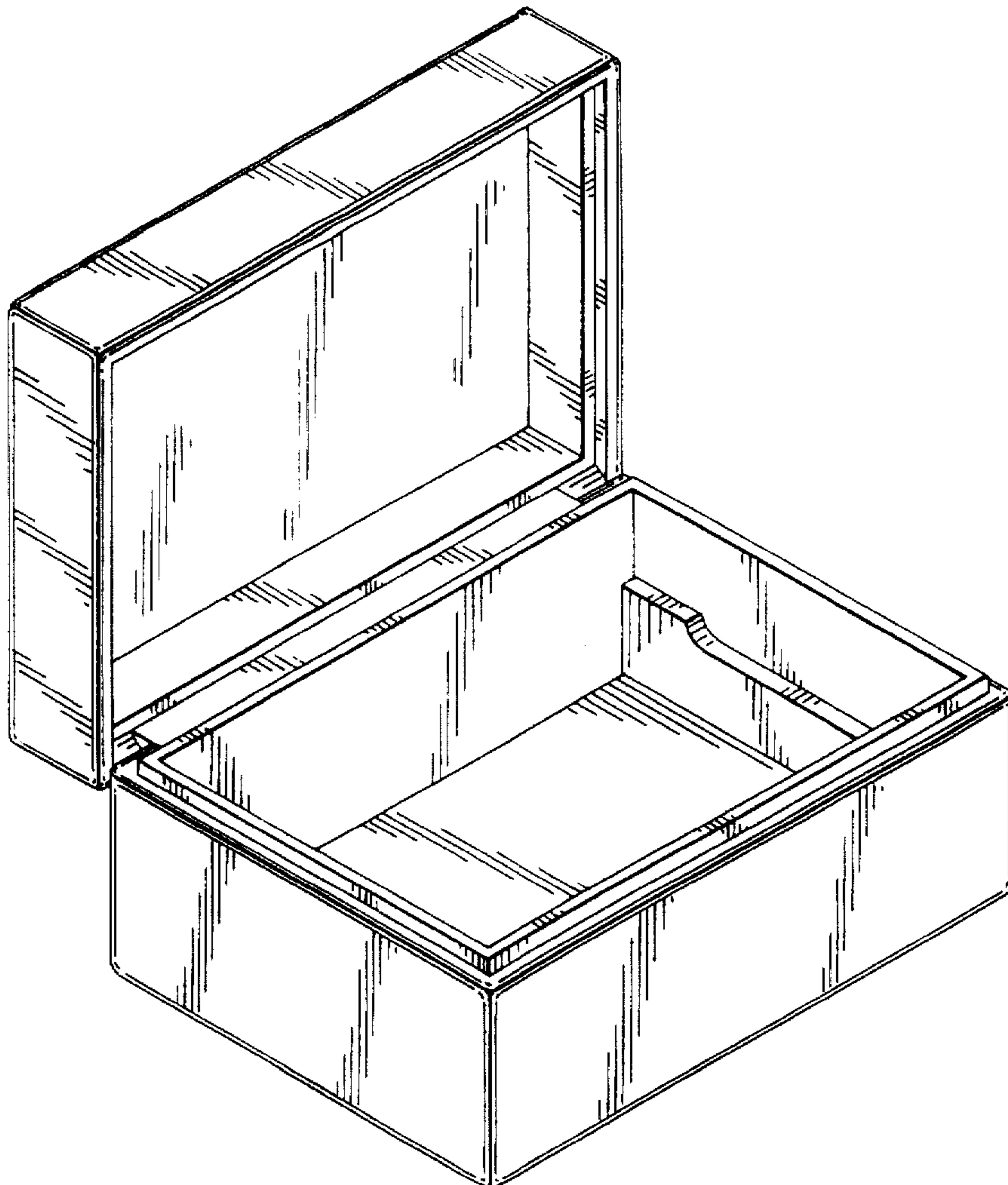
FIG. 8 is a top view of the previous figure.

[56] **References Cited**

U.S. PATENT DOCUMENTS

187,115 2/1877 Fletcher 217/3 BC
1,090,693 3/1914 Danforth 312/31.1
1,395,467 11/1921 Bayuk 206/242

1 Claim, 3 Drawing Sheets



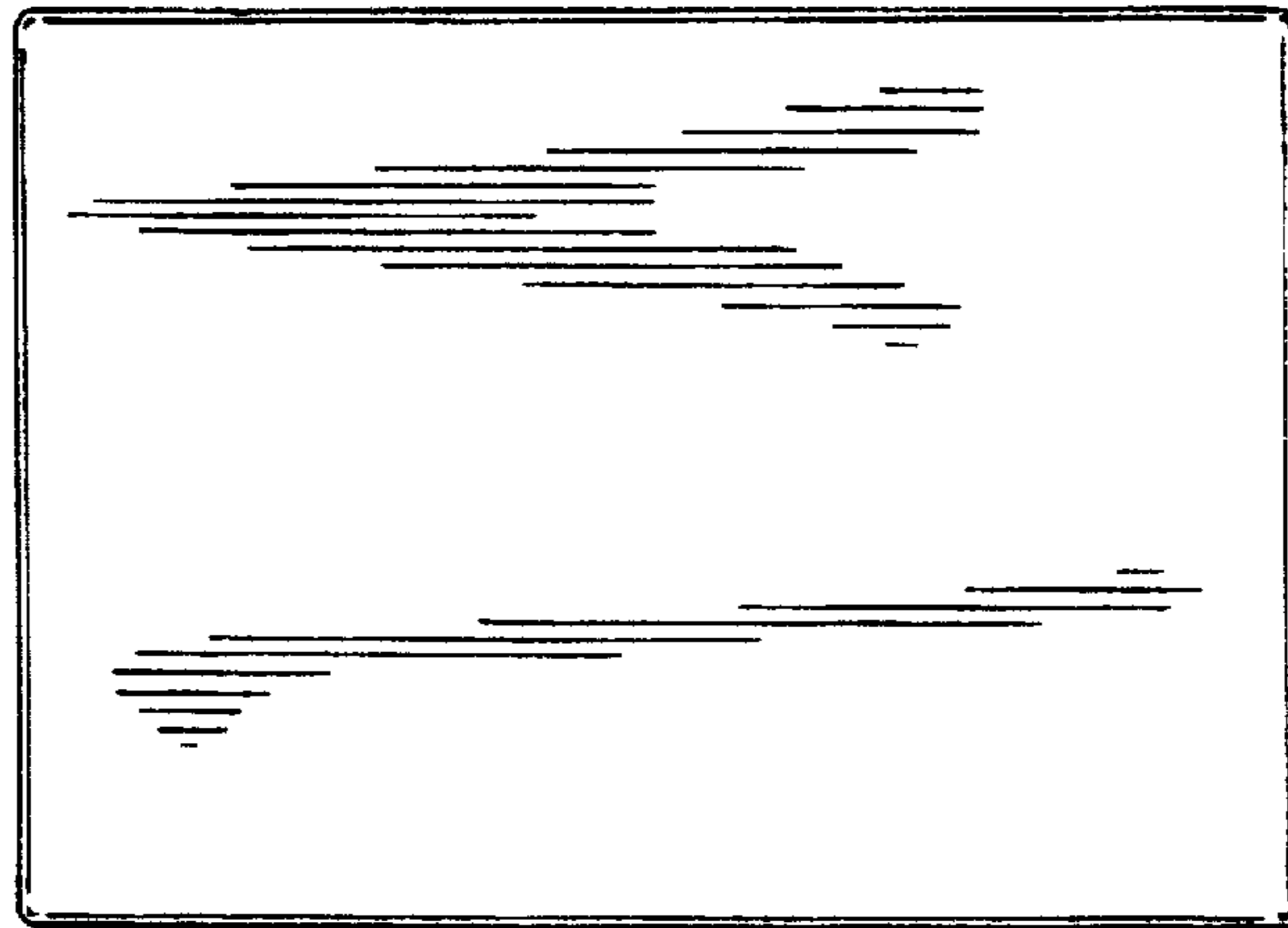


FIG. 1.

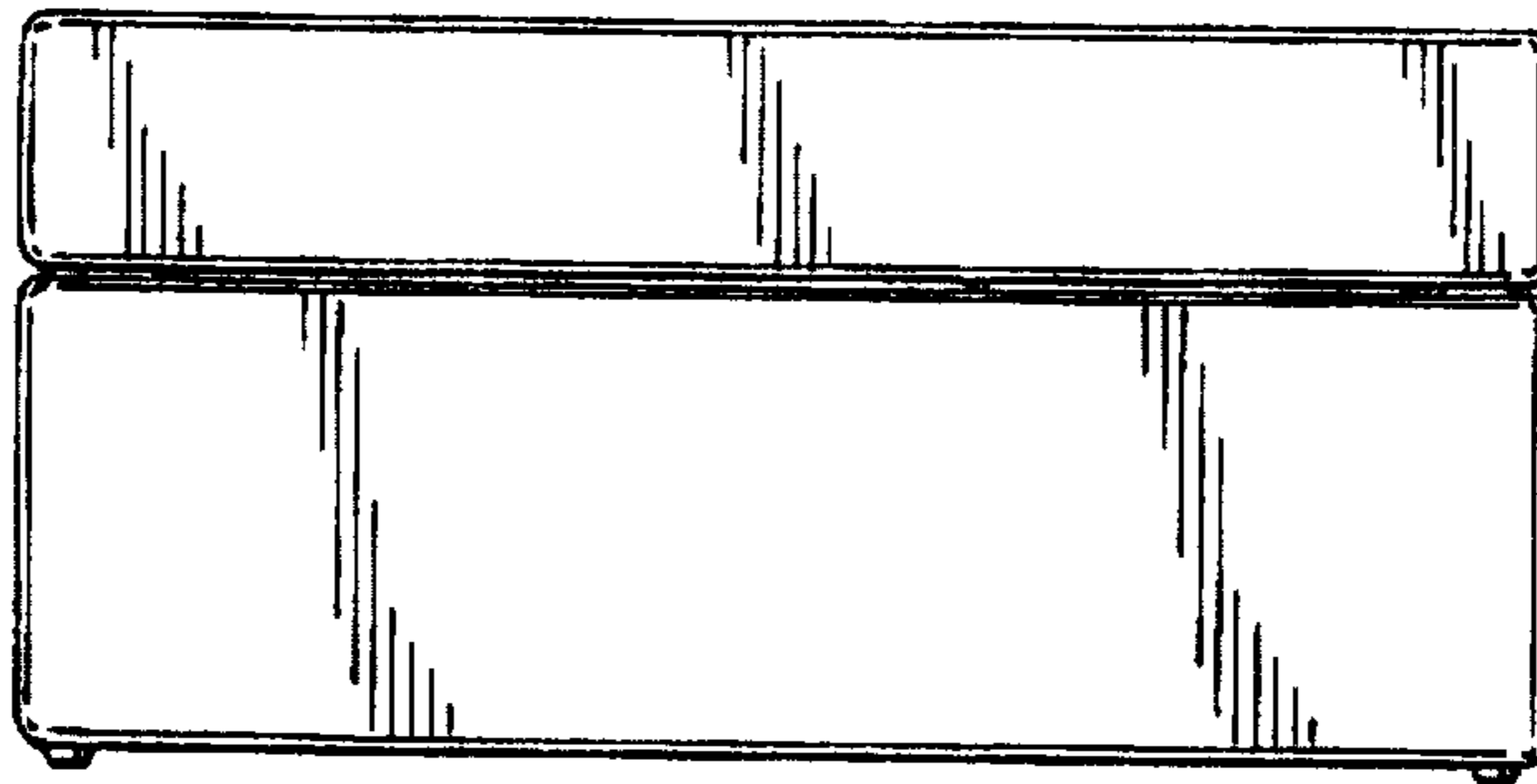


FIG. 2.

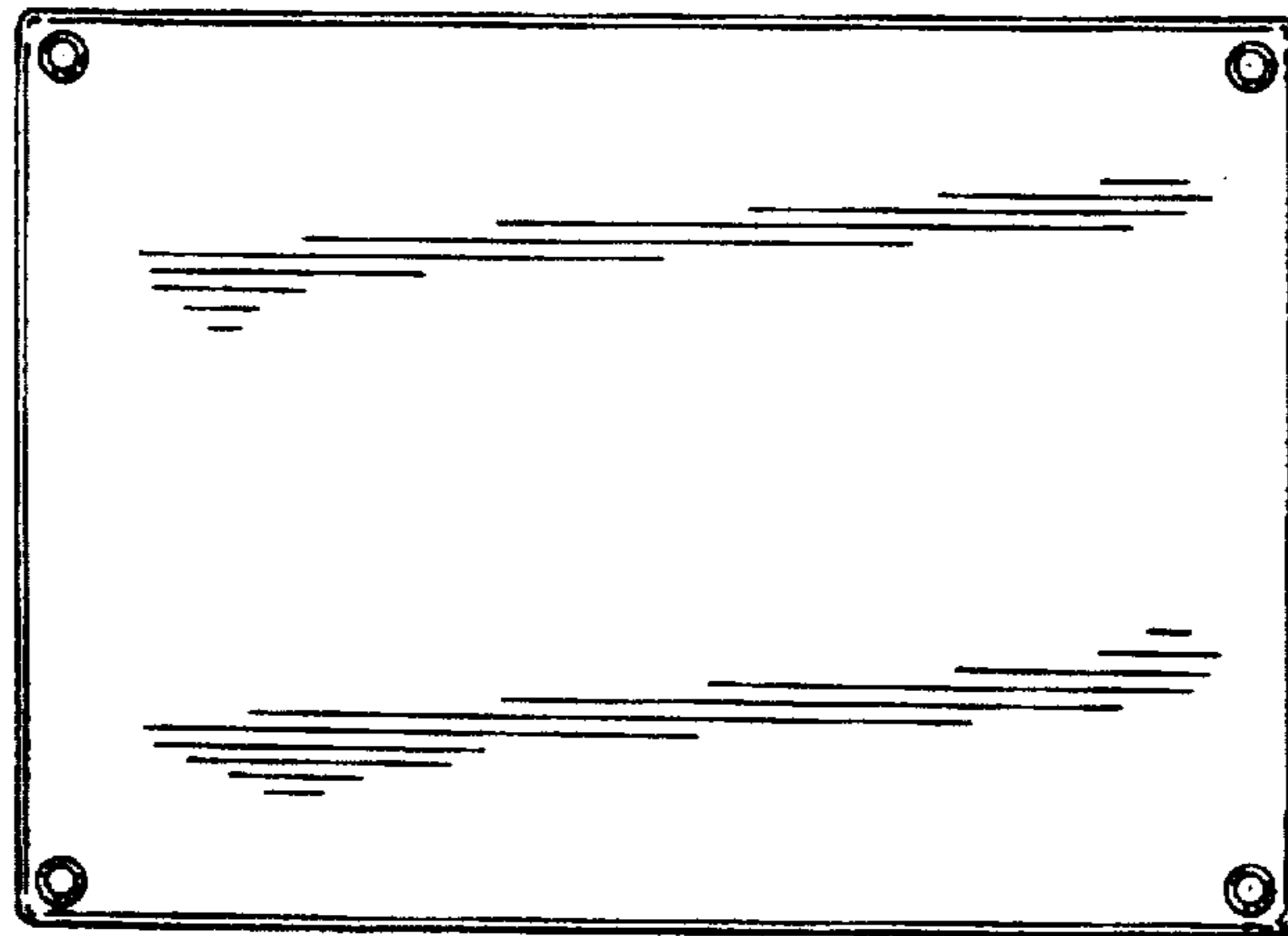


FIG. 3.

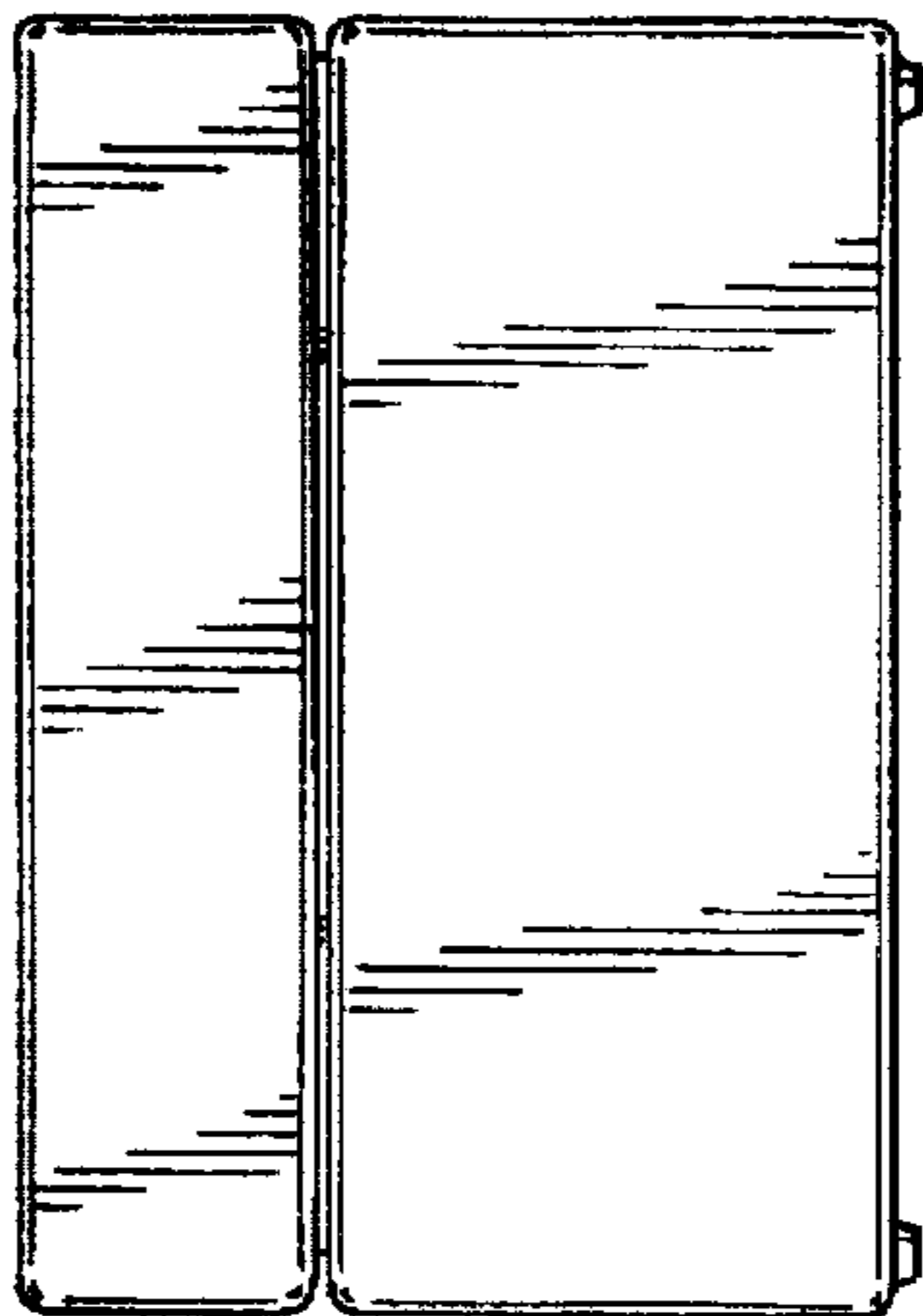


FIG. 6.

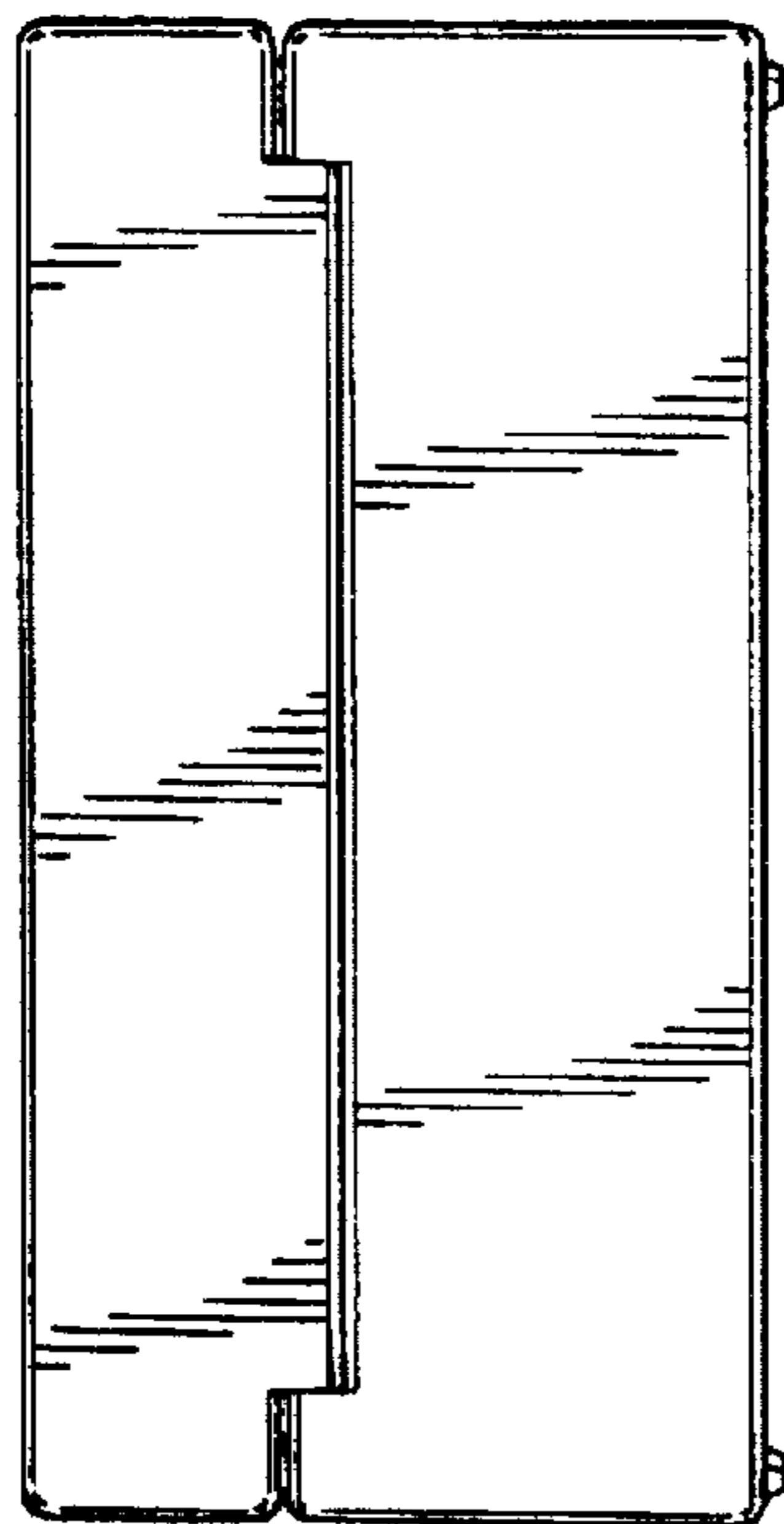


FIG. 5.

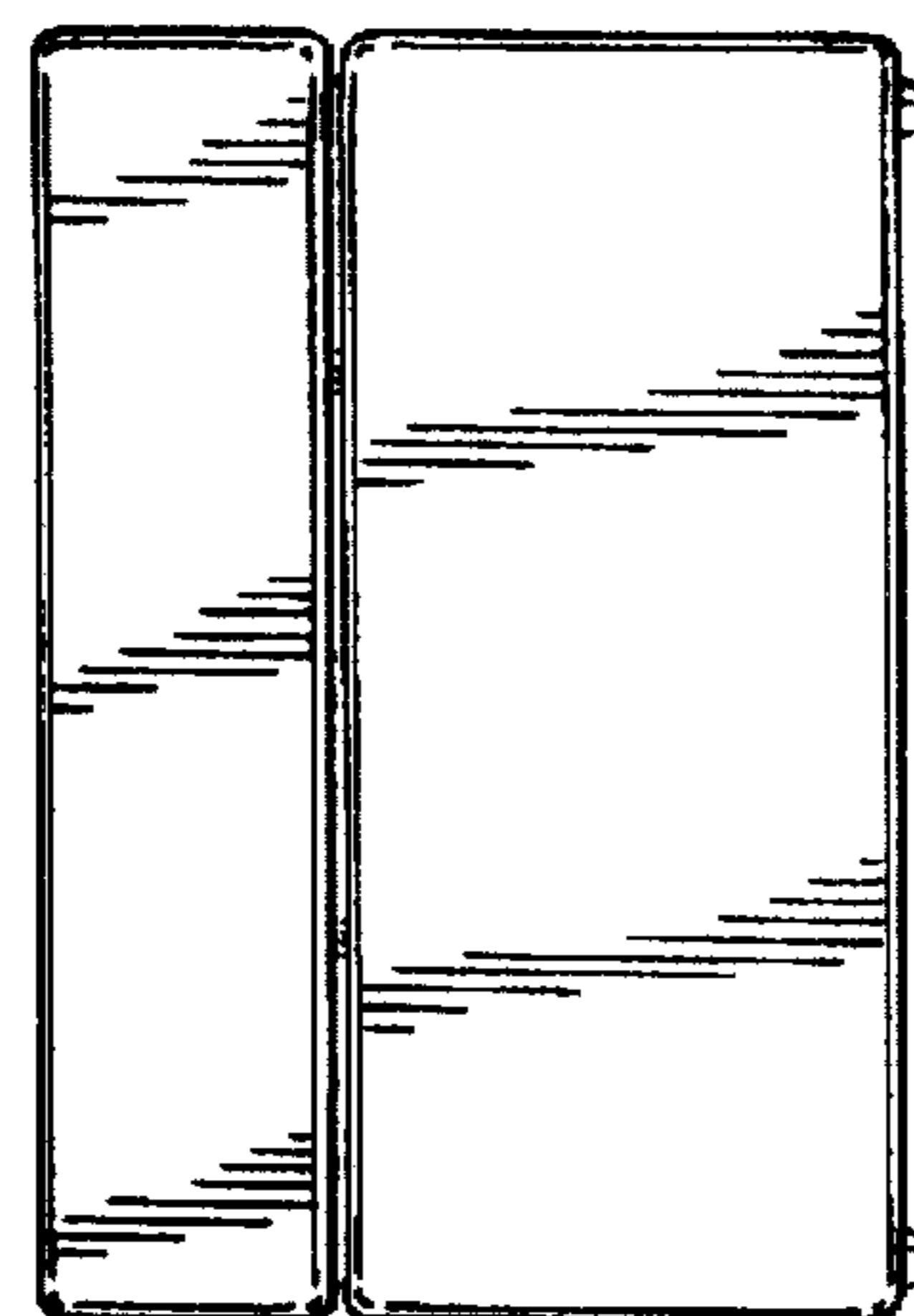


FIG. 4.

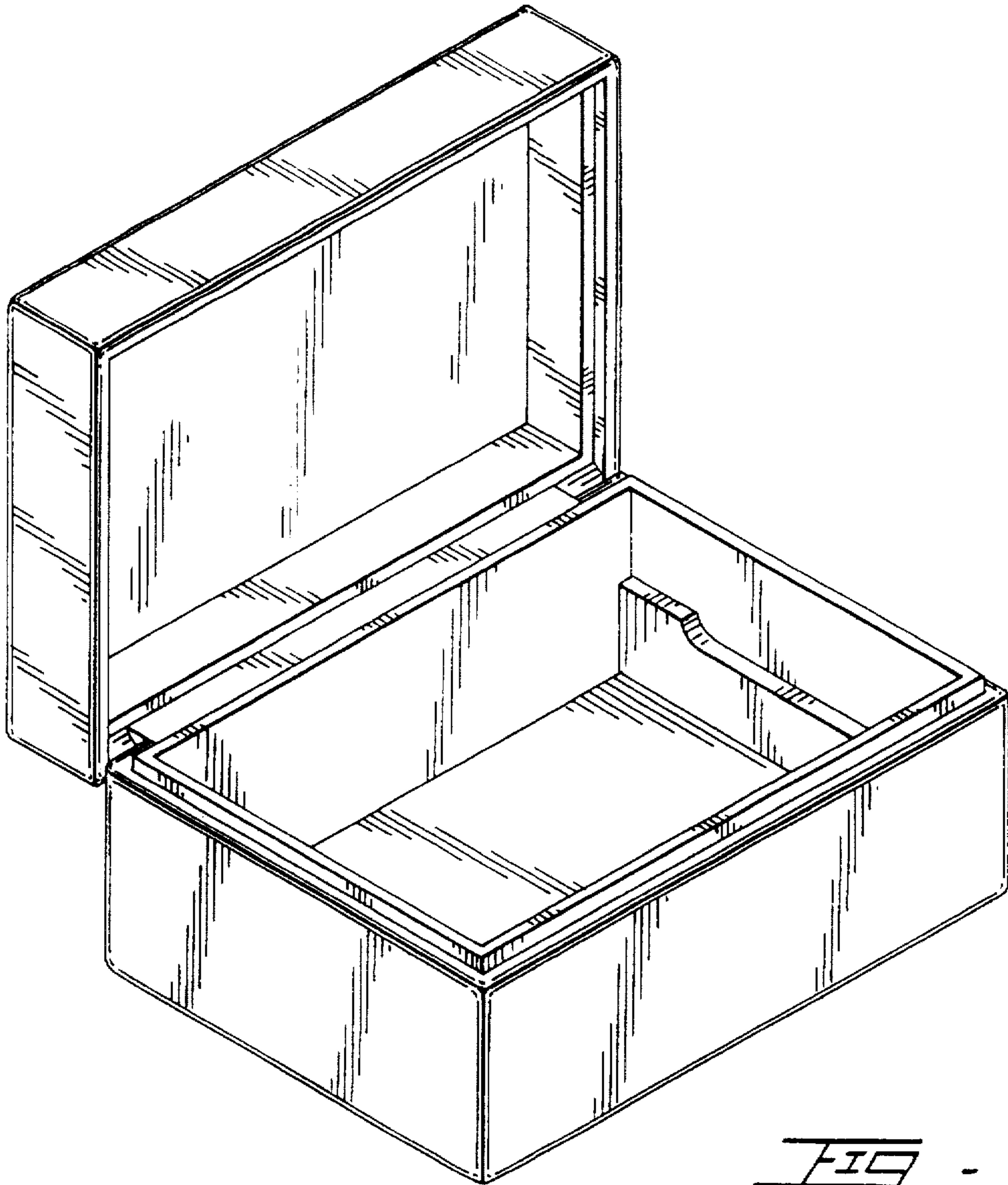


FIG. 7.

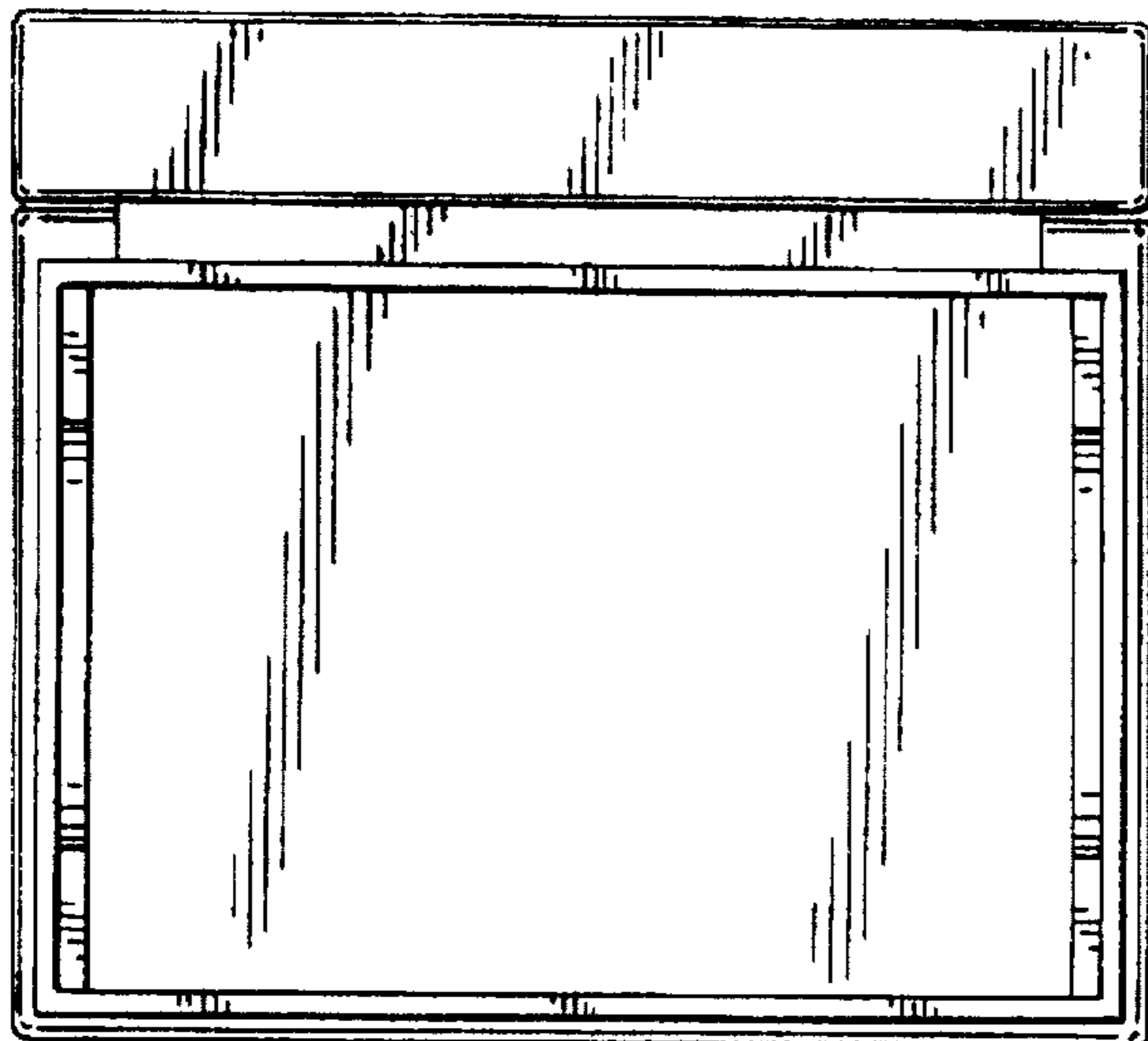


FIG. 8.