



US00D396731S

United States Patent [19]

[11] Patent Number: **Des. 396,731**

Mirto

[45] Date of Patent: ****Aug. 4, 1998**

[54] **UROSTOMY BAG DRAINAGE VALVE**

[57] **CLAIM**

[76] Inventor: **Clorinda M. Mirto**, 171 Montoe Rd., Waterbury, Conn. 06704

The ornamental design for a urostomy bag drainage valve, as shown and described.

[**] Term: **14 Years**

DESCRIPTION

[21] Appl. No.: **52,589**

FIG. 1 is a perspective view of a urostomy bag drainage valve, showing my new design;

[22] Filed: **Apr. 4, 1996**

FIG. 2 is a side view thereof, the broken line showing of the urostomy bag being for illustrative purposes only and forming no part of the claimed design;

[51] LOC (6) Cl. **24-04**

FIG. 3 is an enlarged front view thereof;

[52] U.S. Cl. **D24/129; D24/118**

FIG. 4 is an enlarged side view thereof;

[58] Field of Search **D24/129, 118, D24/117; 604/320, 323, 332, 335**

FIG. 5 is an enlarged rear view thereof;

FIG. 6 is an enlarged top view thereof;

[56] **References Cited**

U.S. PATENT DOCUMENTS

D. 298,567	11/1988	Morris	D24/118
D. 303,575	9/1989	Steer	D24/118
D. 354,560	1/1995	Chase	D24/129 X
4,280,498	7/1981	Jensen	604/323 X
4,826,494	5/1989	Richmond et al.	604/323

FIG. 7 is an enlarged bottom view thereof;

FIG. 8 is an enlarged vertical cross-sectional view taken along line 8—8 of FIG. 4, in partially closed position;

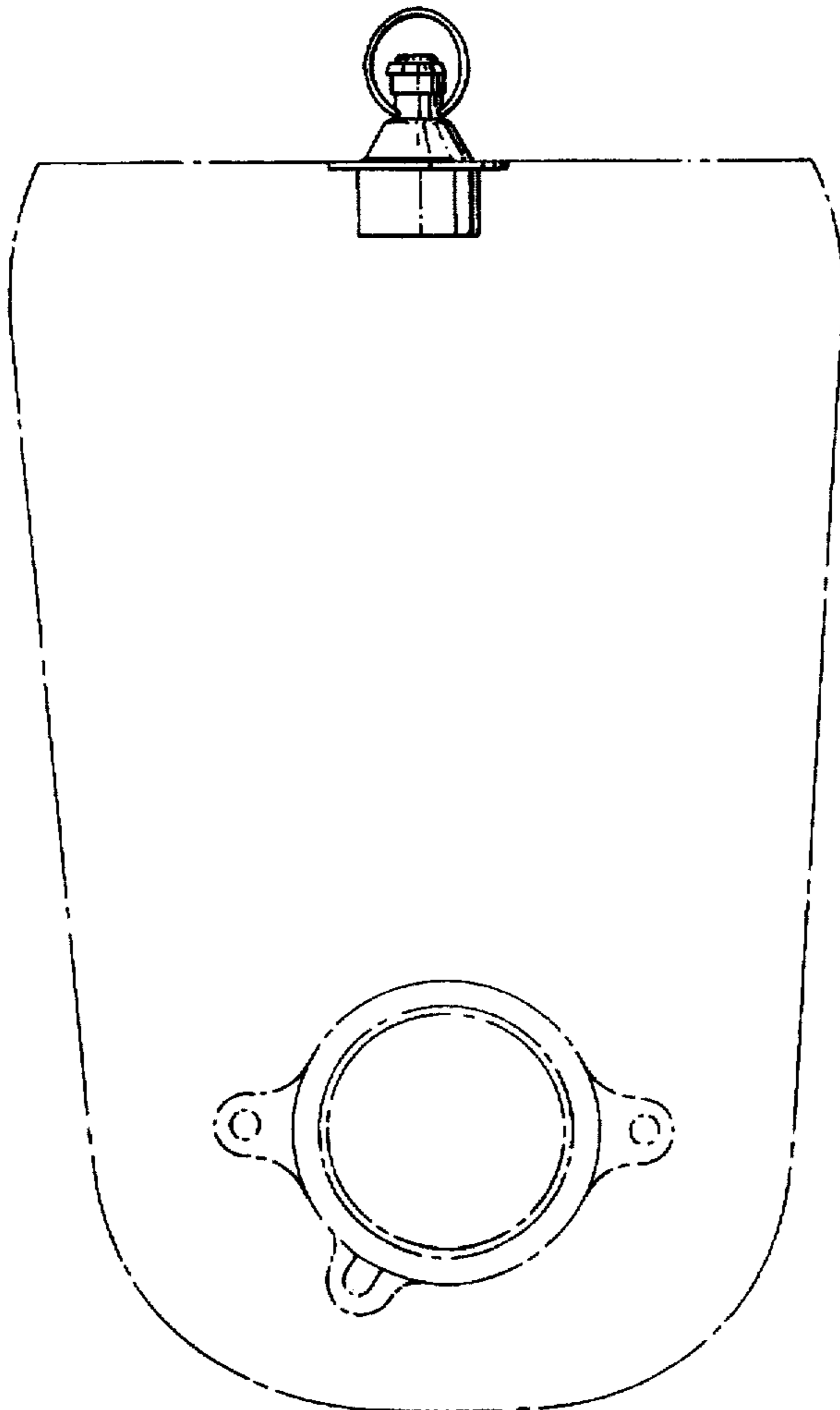
FIG. 9 is an enlarged view similar to FIG. 8, with the valve in totally closed position; and,

FIG. 10 is an enlarged scale view thereof, with the valve in open position.

Primary Examiner—Stella Reid

Attorney, Agent, or Firm—McCormick, Paulding & Huber

1 Claim, 3 Drawing Sheets



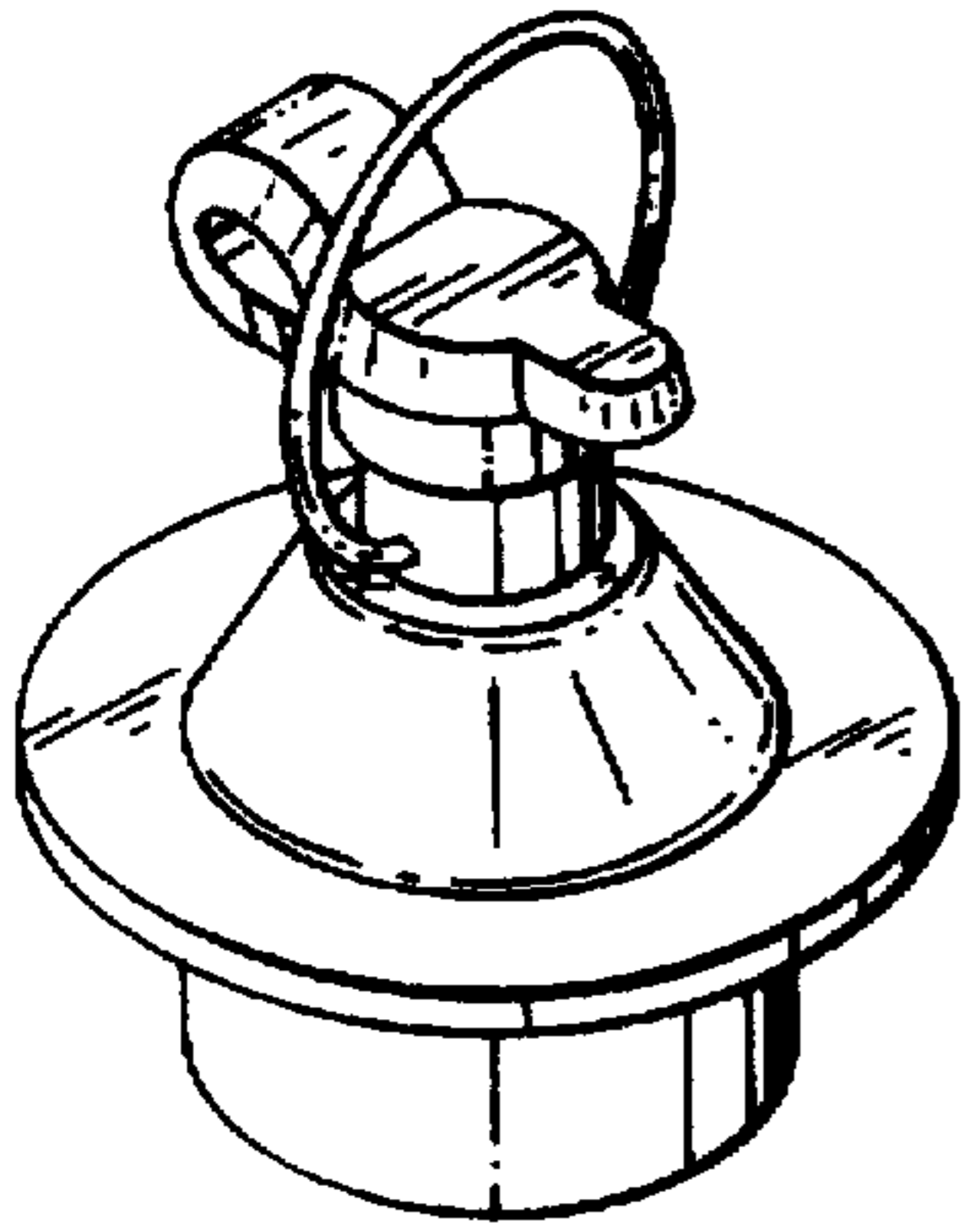


FIG. 1

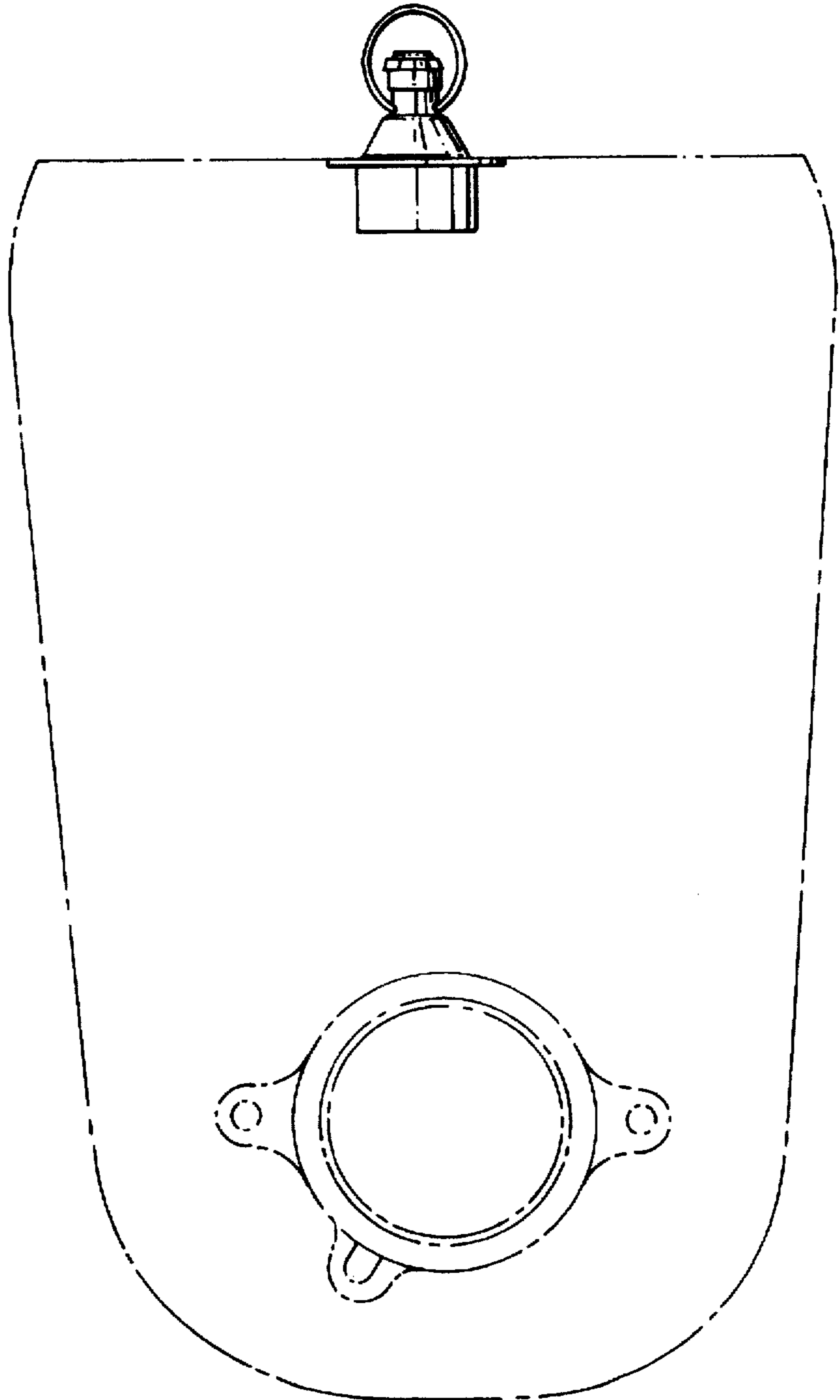


FIG. 2

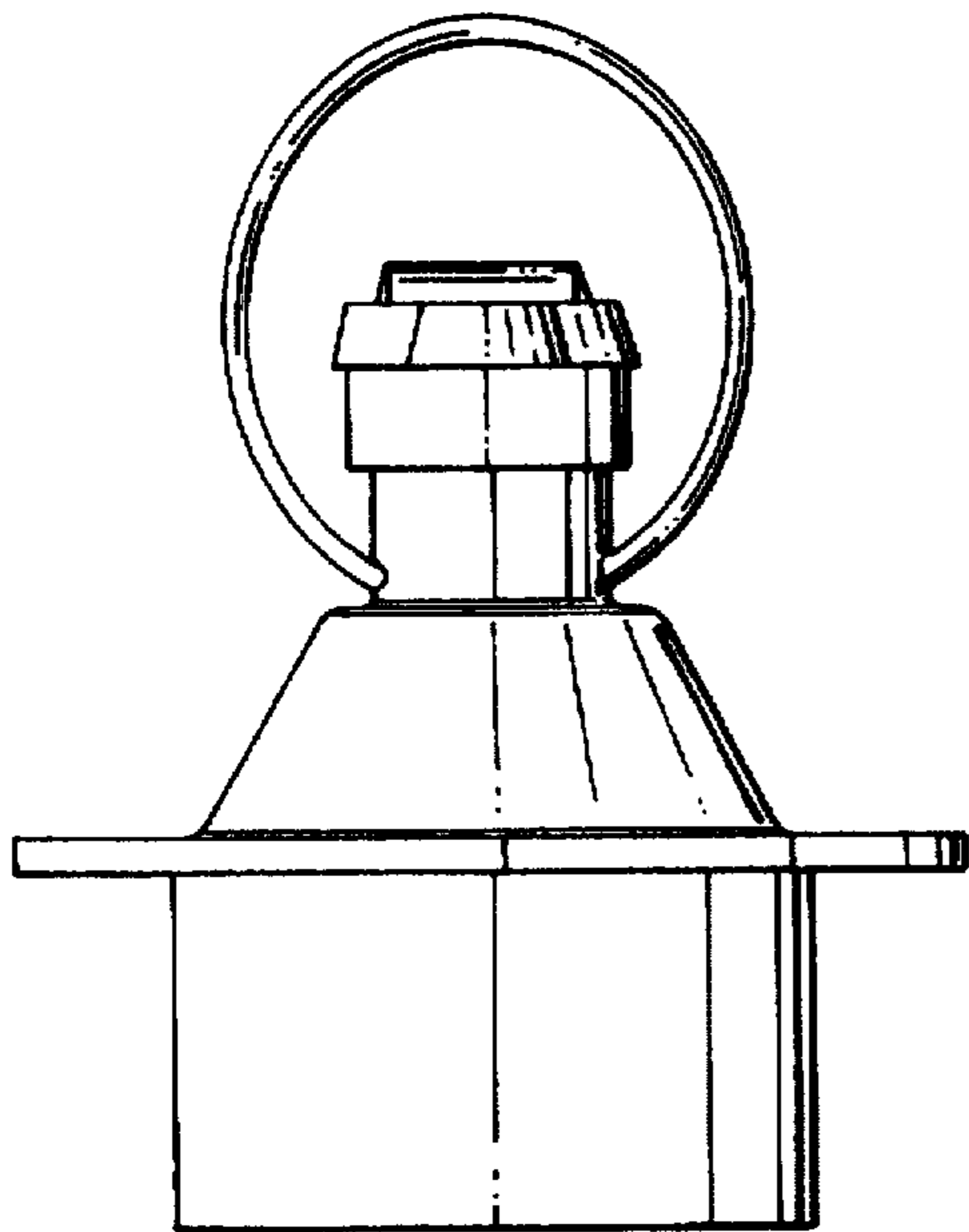


FIG. 3

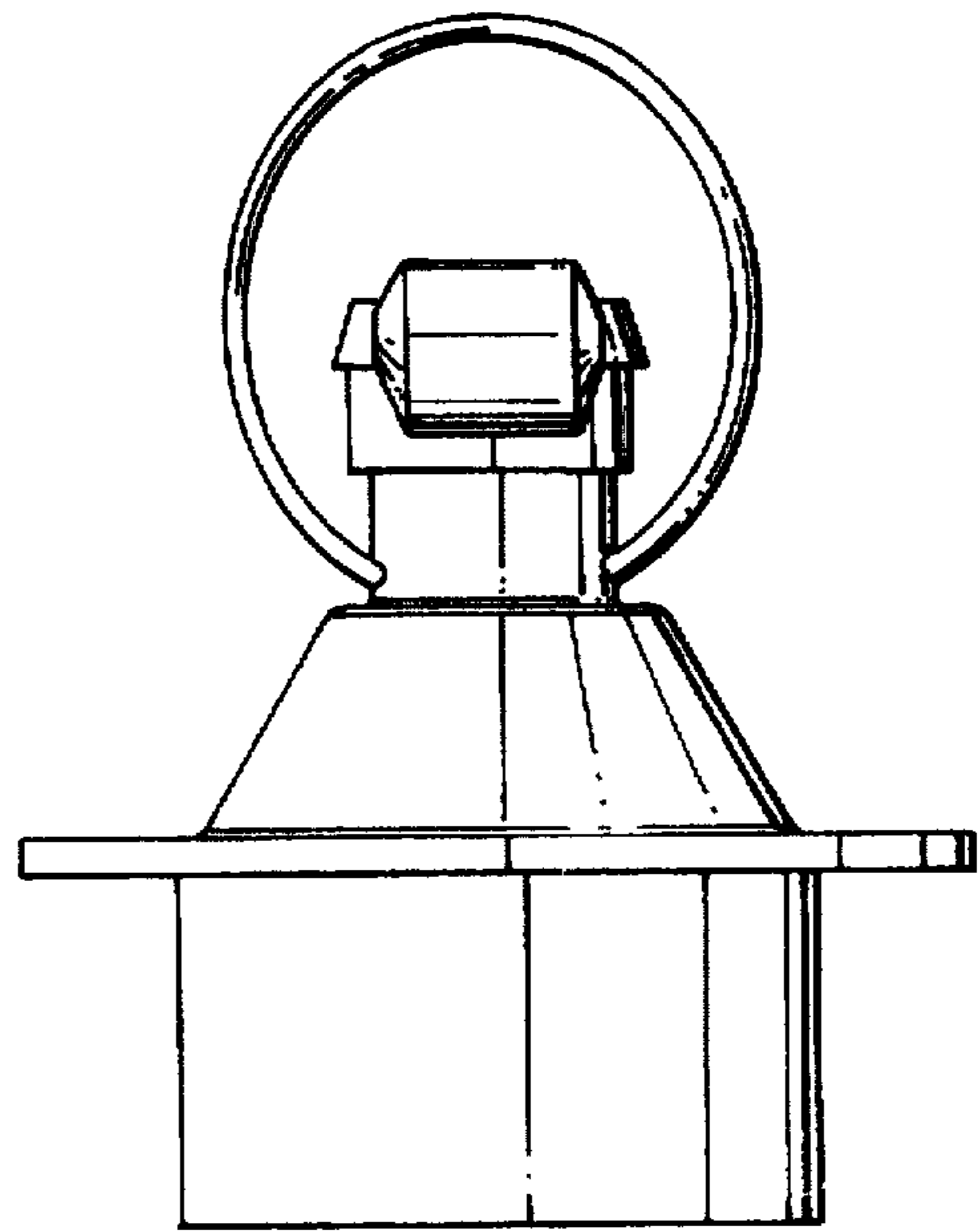


FIG. 5

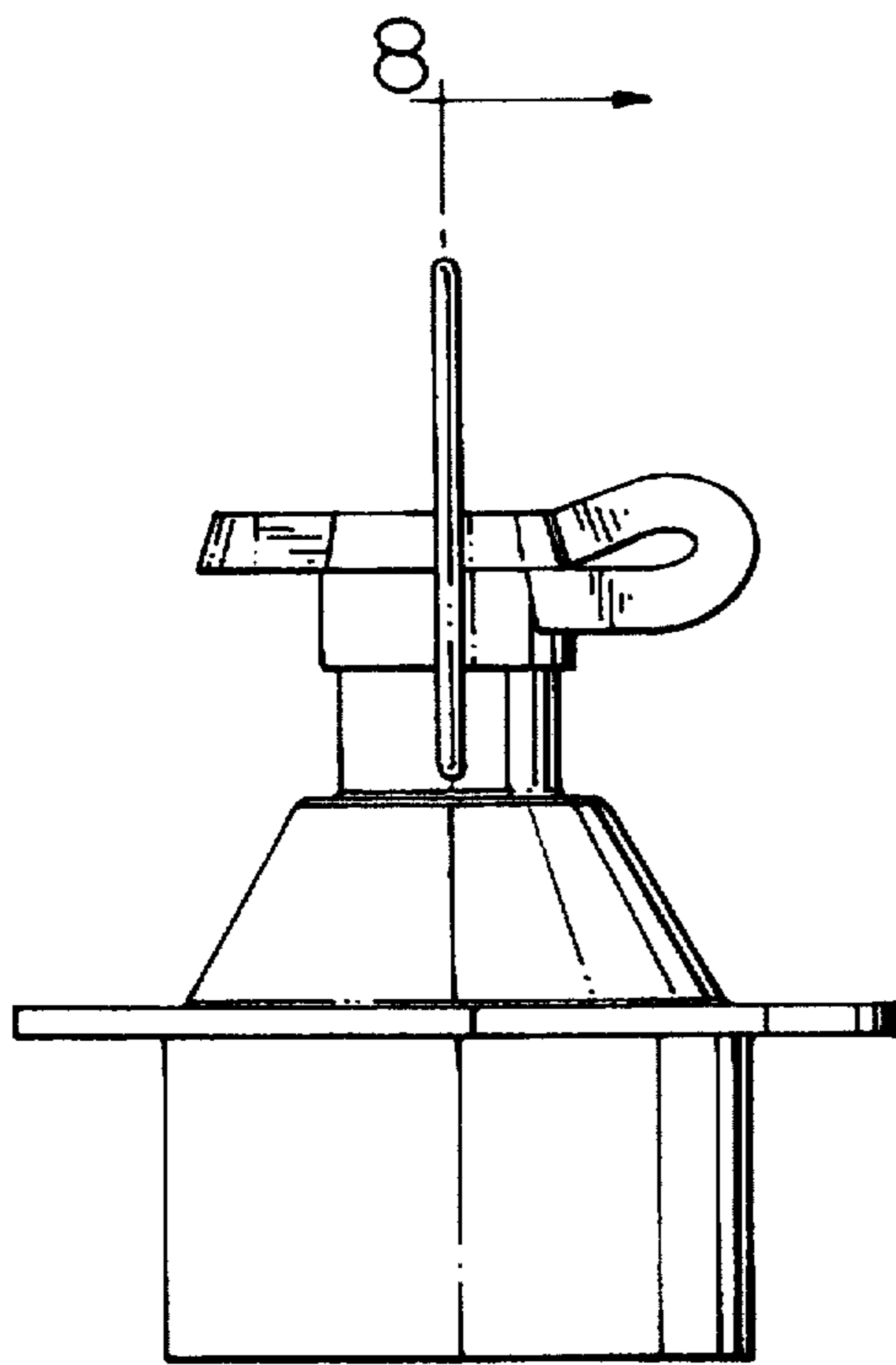


FIG. 4

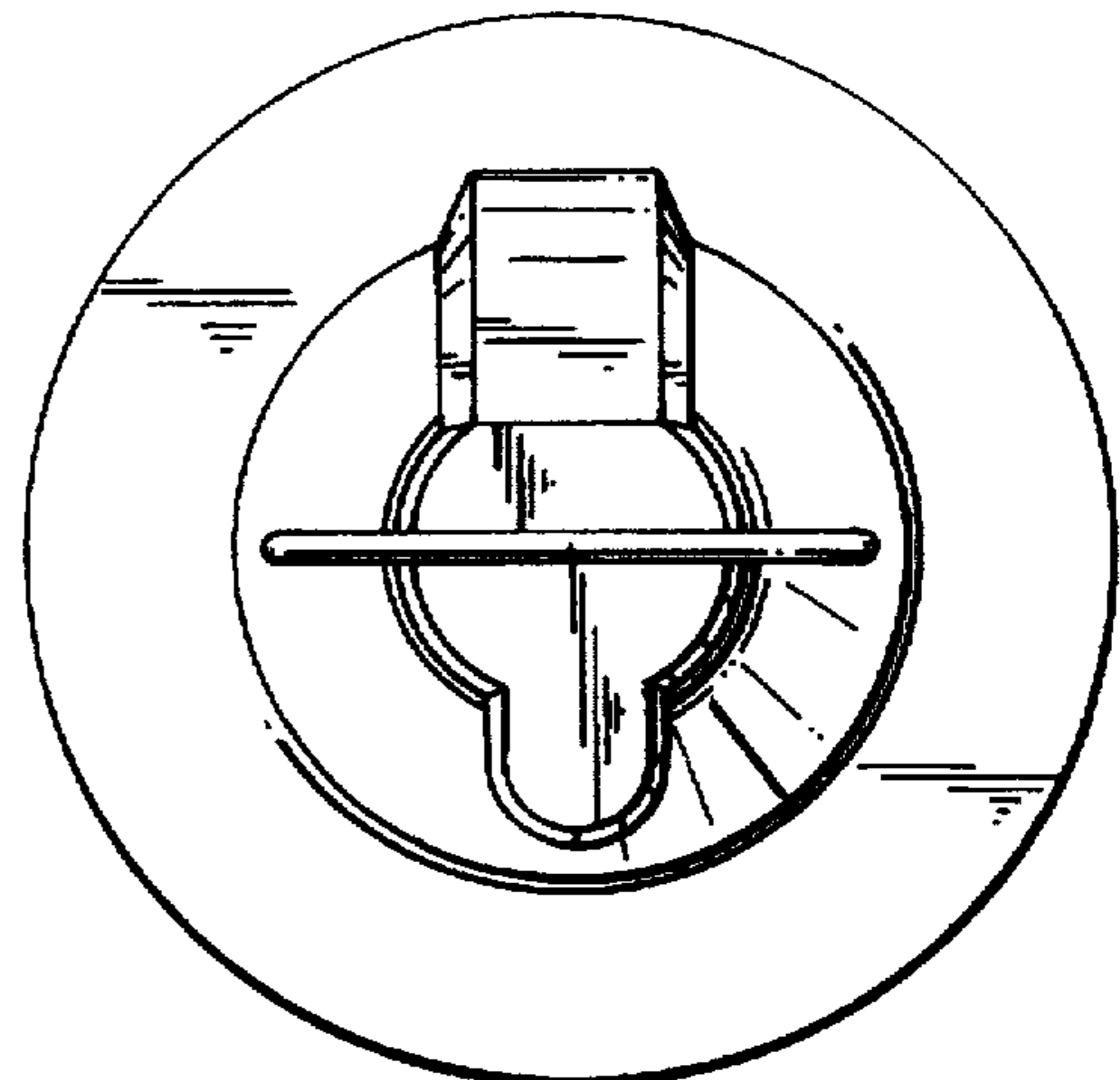
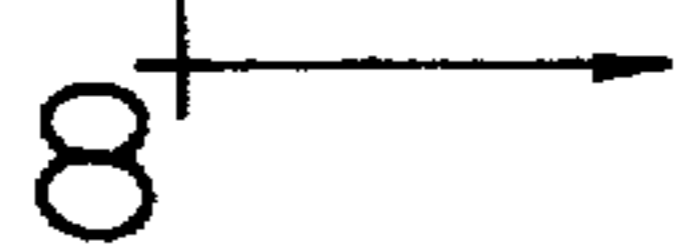


FIG. 6

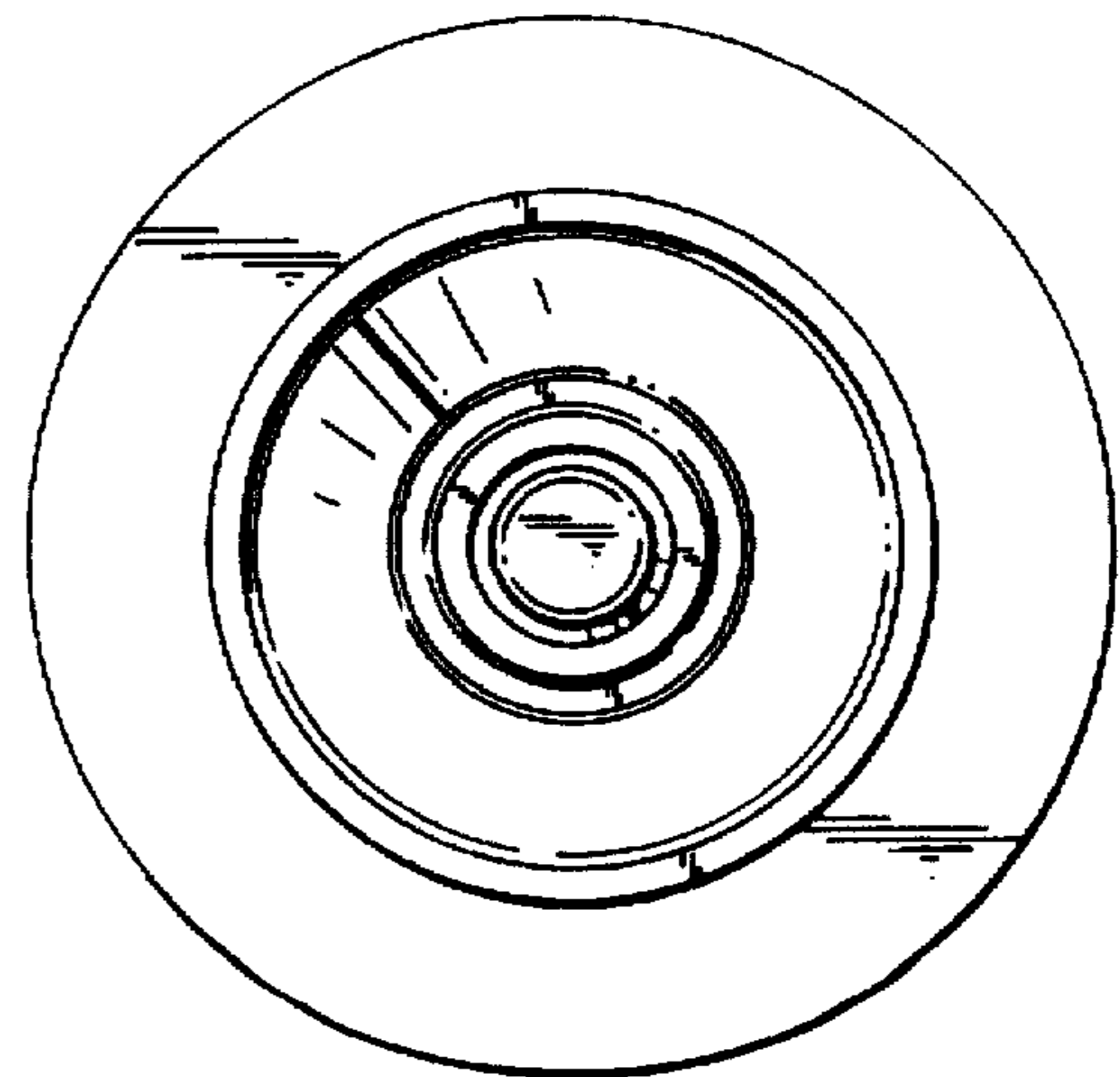


FIG. 7

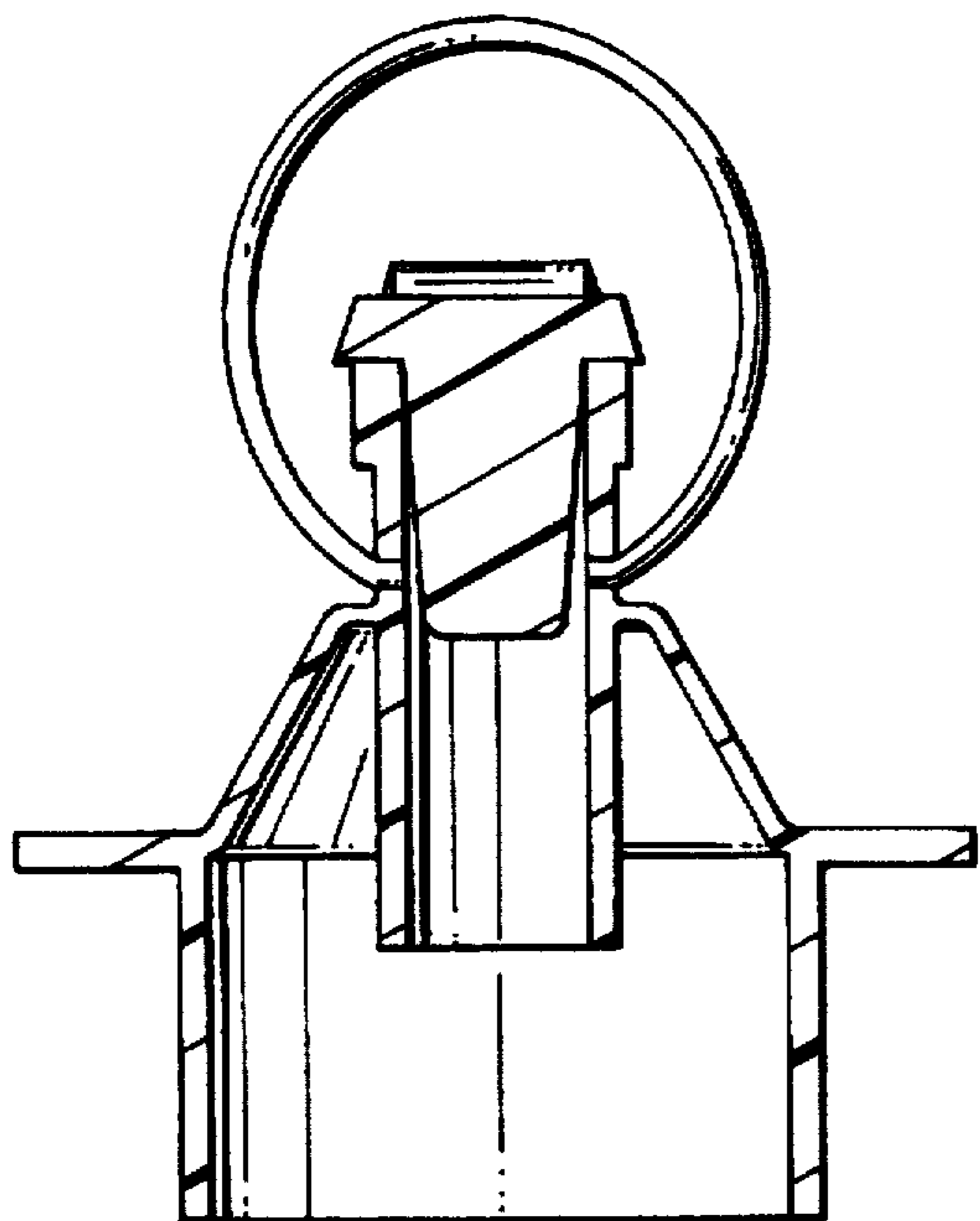


FIG. 8

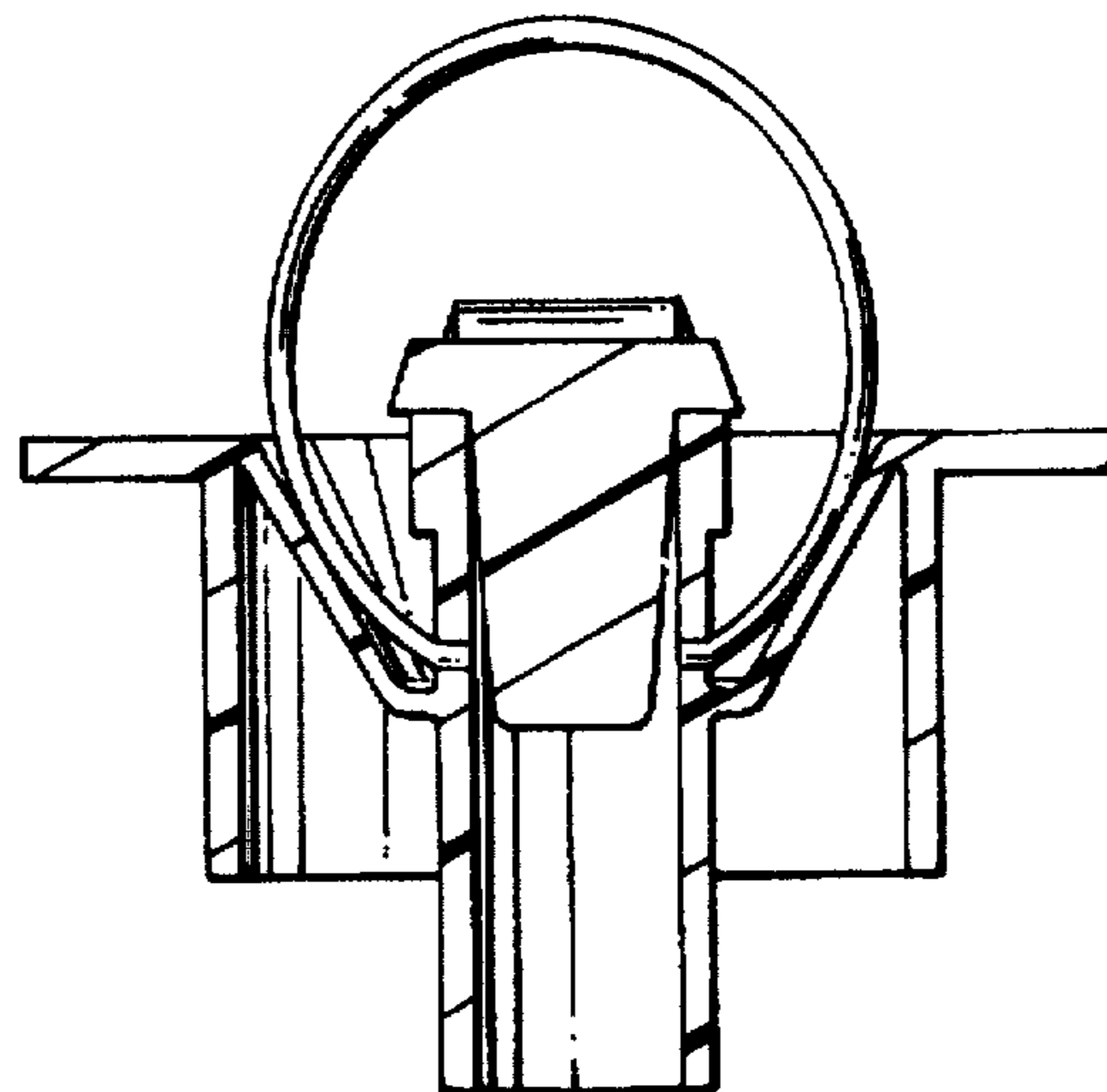


FIG. 9

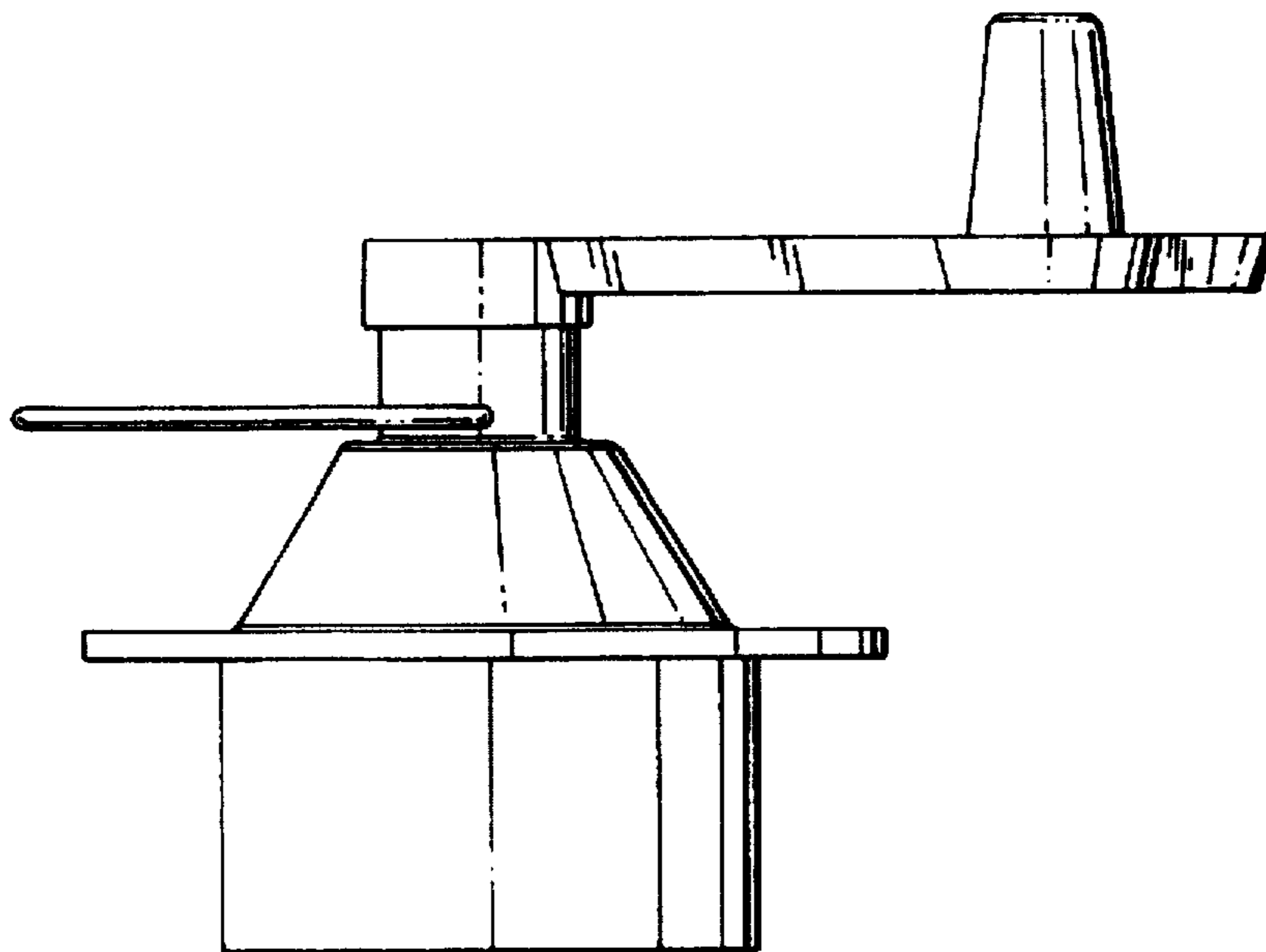


FIG. 10