



US00D396730S

United States Patent [19] Schaupp

[11] Patent Number: **Des. 396,730**

[45] Date of Patent: ****Aug. 4, 1998**

[54] **AIR HOSE FITTING**

[75] Inventor: **John F. Schaupp**, Toledo, Ohio

[73] Assignee: **Ransburg Corporation**, Indianapolis, Ind.

[**] Term: **14 Years**

[21] Appl. No.: **60,096**

[22] Filed: **Sep. 23, 1996**

[51] **LOC (6) Cl.** **23-01**

[52] **U.S. Cl.** **D23/259**

[58] **Field of Search** D23/259; 285/39,
285/84, 40, 94, 247, 251; 417/151, 181;
174/47

[56] **References Cited**

U.S. PATENT DOCUMENTS

D. 283,154	3/1986	McKinnon	D23/259
D. 284,603	7/1986	Zoignon	D23/259
D. 347,048	5/1994	Davis	D23/259
2,399,791	5/1946	Conroy	285/84
2,790,654	4/1957	Cox	285/251
2,816,781	12/1957	Woodling	285/149
2,965,395	12/1960	Schmohl et al.	285/40
3,042,737	7/1962	Brumbach et al.	174/47
3,177,016	4/1965	Holmgren	285/247
3,246,921	4/1966	Lyon et al.	285/247
3,368,832	2/1968	Rader	285/251
3,408,092	10/1968	Appleton	285/39

4,156,540	5/1979	Currie	285/94
4,599,784	7/1986	Canu, Jr. et al.	29/450
5,240,291	8/1993	Zornow	285/40

Primary Examiner—Marcus A. Jackson
Attorney, Agent, or Firm—MacMillan, Sobanski & Todd, LLC.

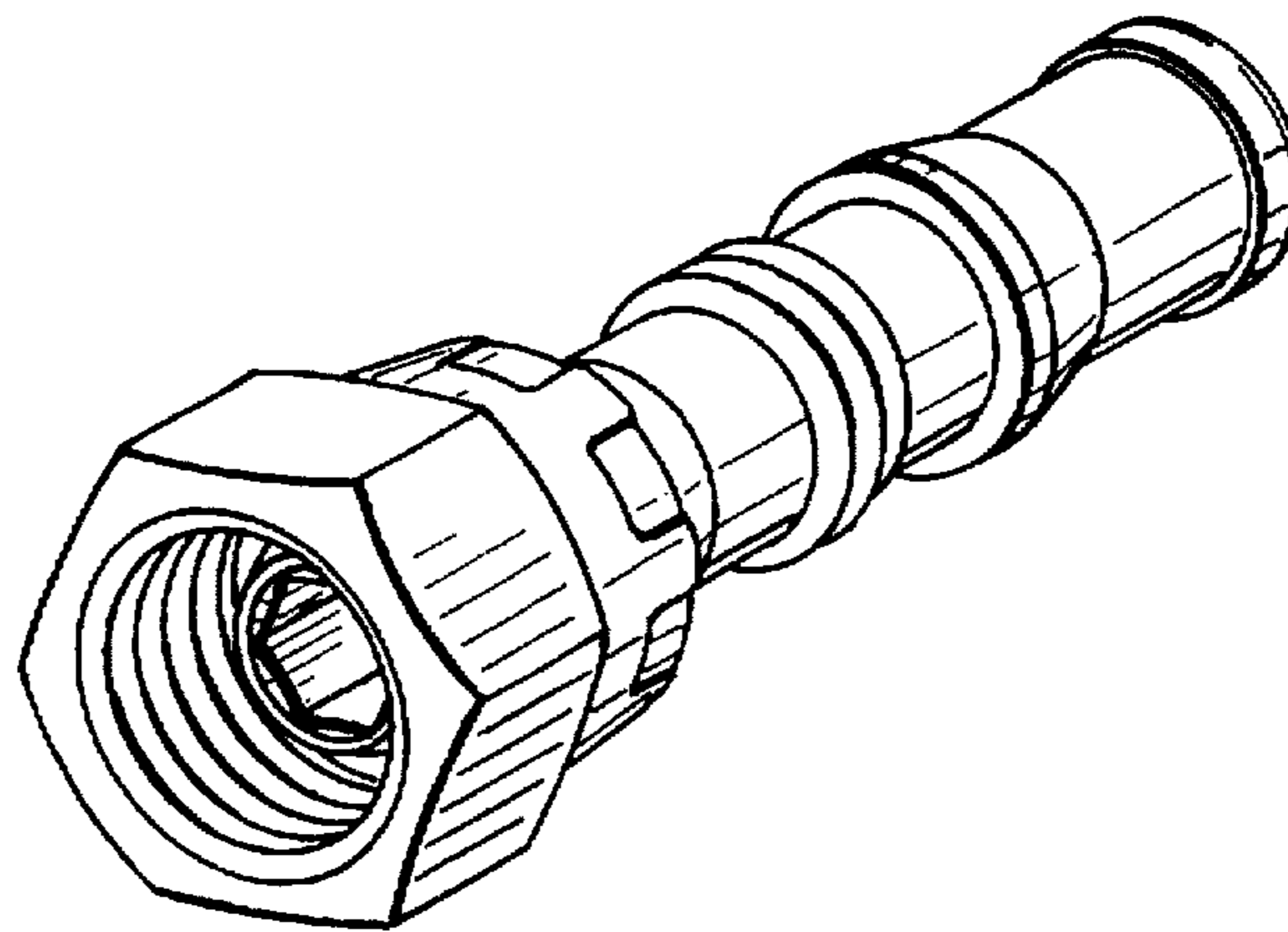
[57] **CLAIM**

The ornamental design for an air hose fitting, as shown and described.

DESCRIPTION

FIG. 1 is a perspective view as seen from the left front side of an air hose fitting showing my new design;
 FIG. 2 is a front side elevational view thereof, with the rear side elevational view being a mirror image thereof;
 FIG. 3 is a top plan view thereof, with the bottom view being a mirror image thereof;
 FIG. 4 is a left end view thereof;
 FIG. 5 is a right view thereof;
 FIG. 6 is a perspective view as seen from the left front side of a modified embodiment of an air hose fitting showing my new design;
 FIG. 7 is a front side elevational view thereof, with the rear side elevational view being a mirror image thereof;
 FIG. 8 is a top plan view thereof, with the bottom view being a mirror image thereof;
 FIG. 9 is a left end view thereof; and,
 FIG. 10 is a right view thereof.

1 Claim, 2 Drawing Sheets



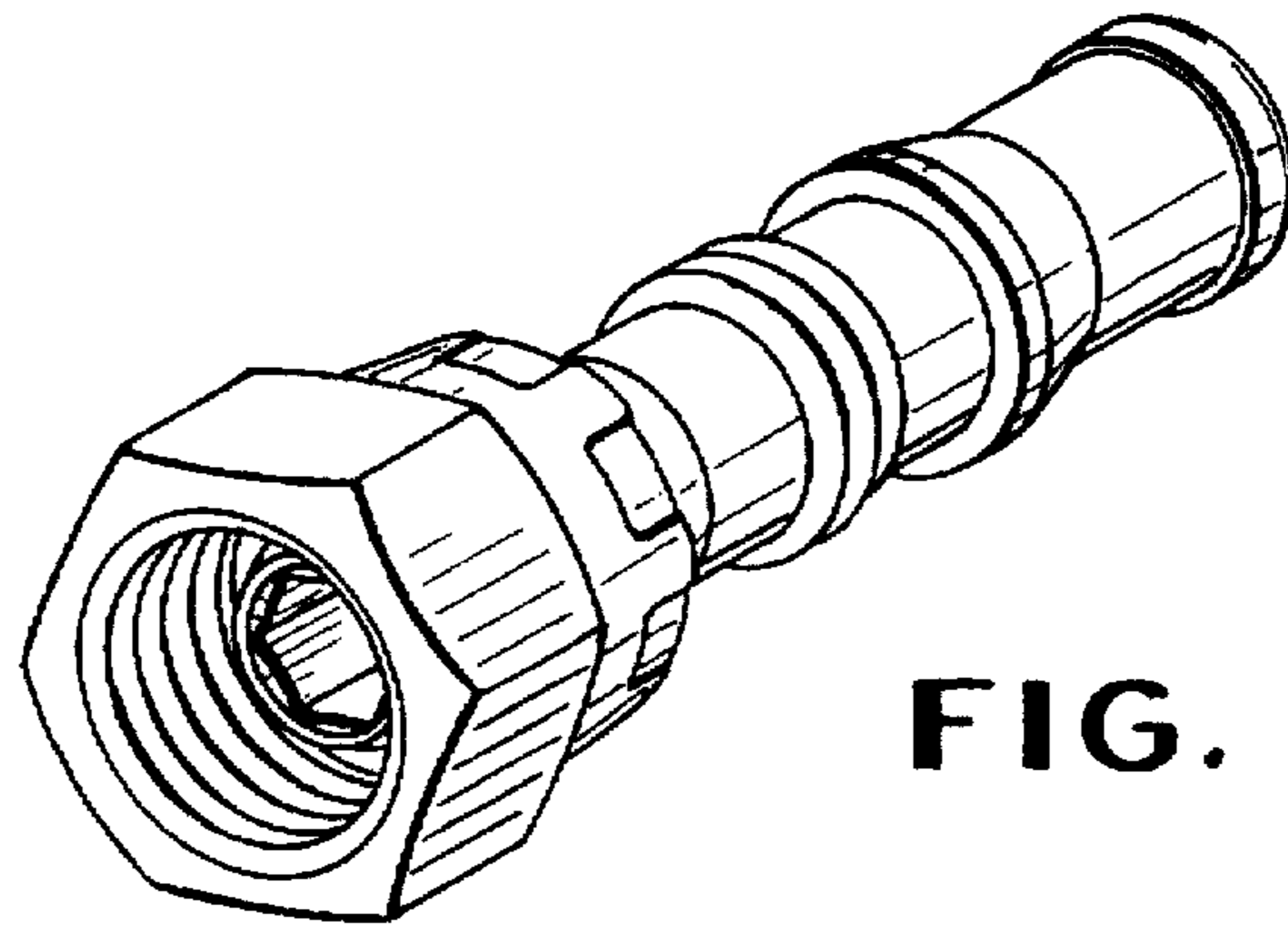


FIG. 1

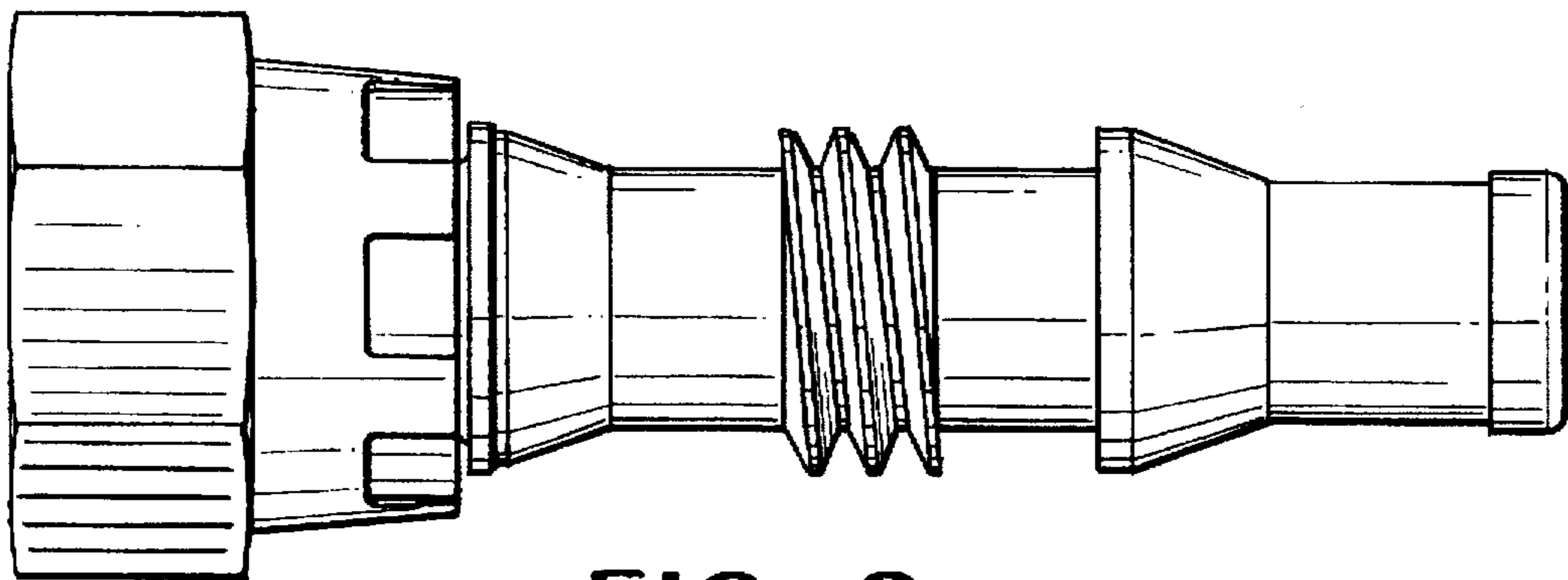


FIG. 2

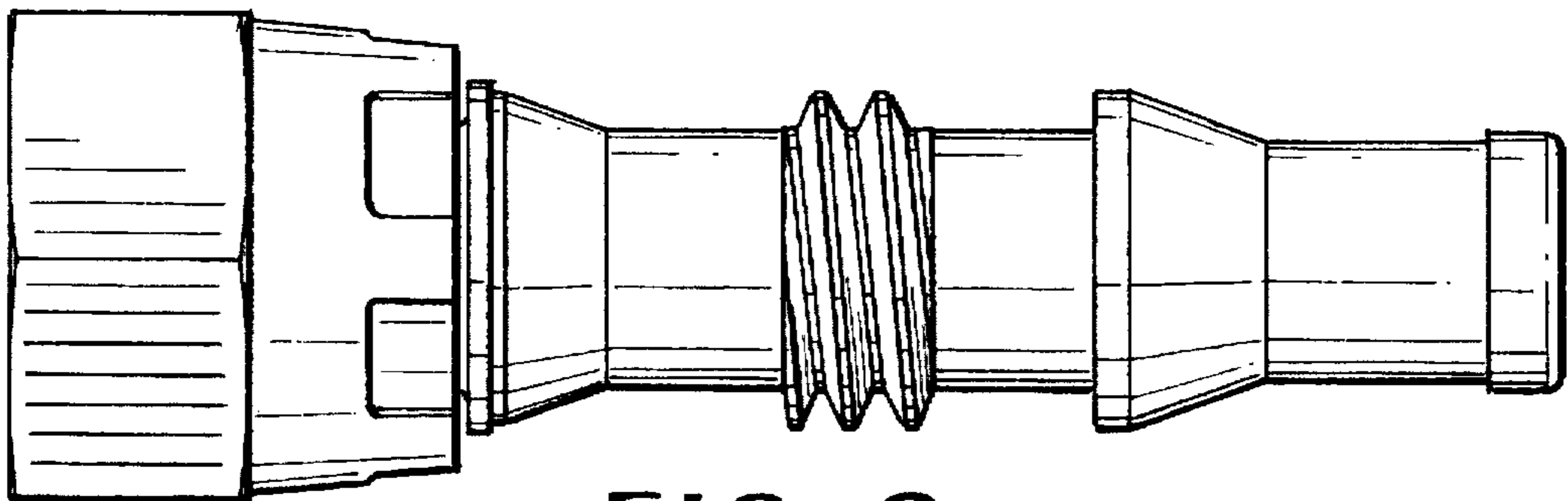


FIG. 3

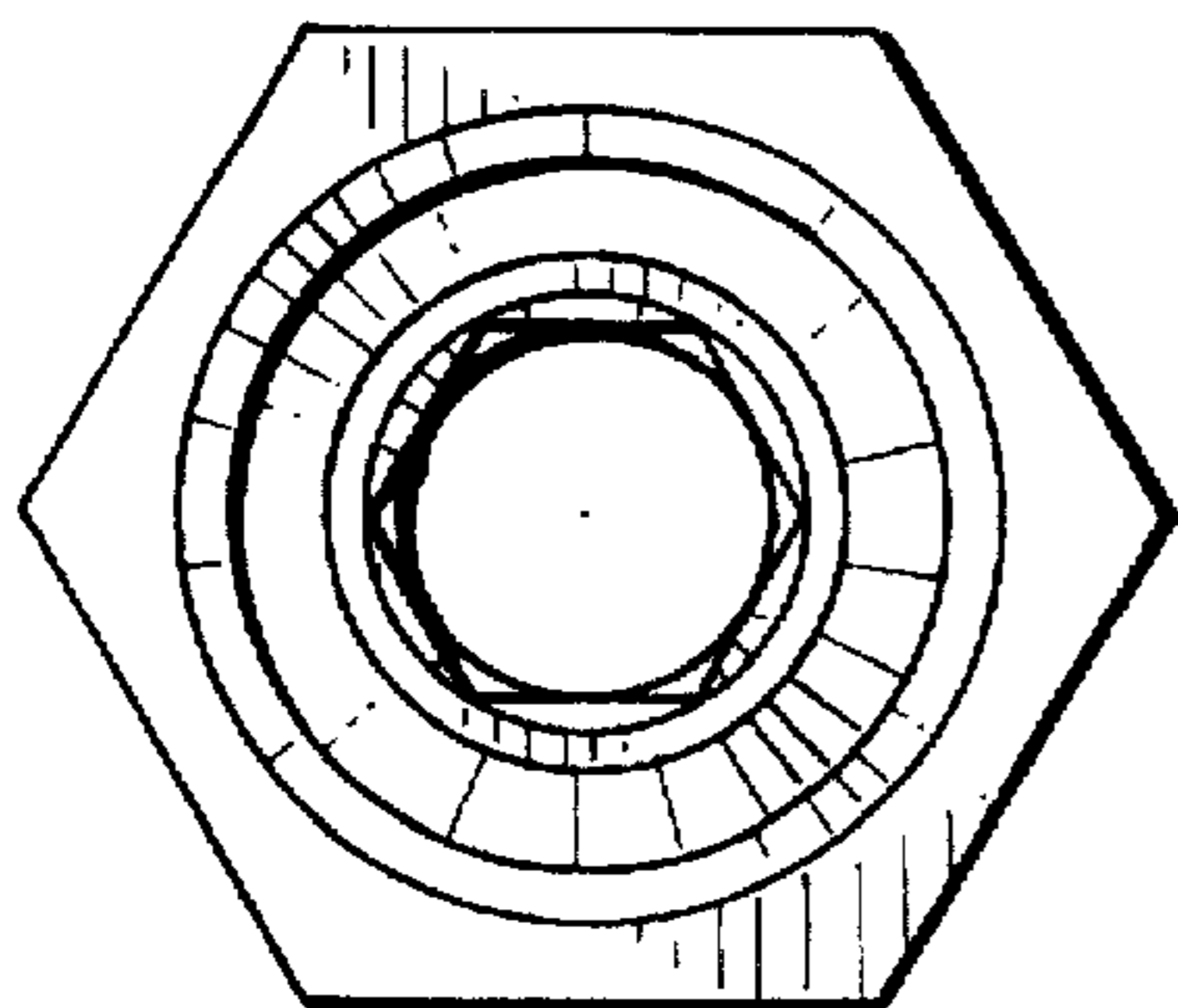


FIG. 4

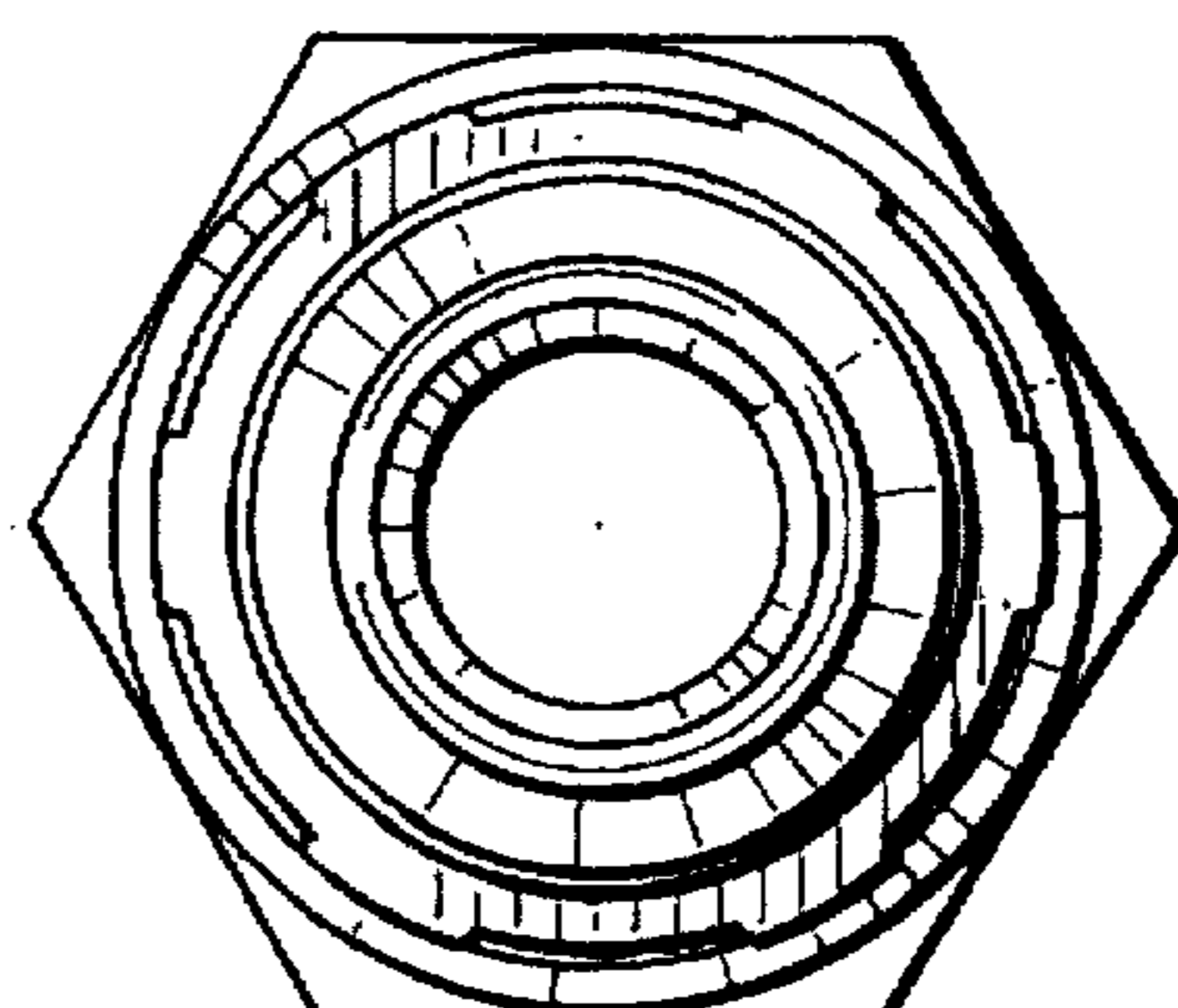


FIG. 5

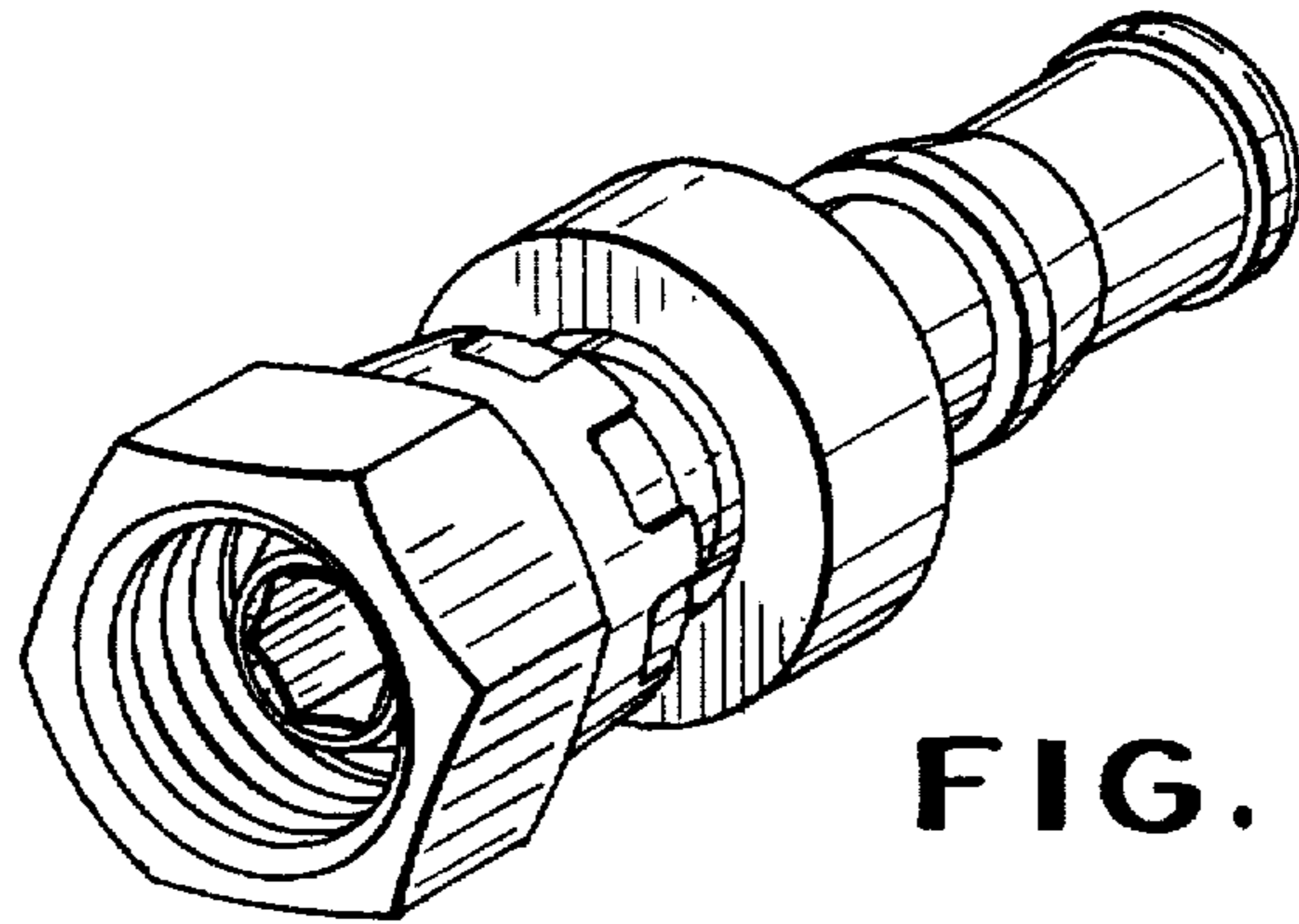


FIG. 6

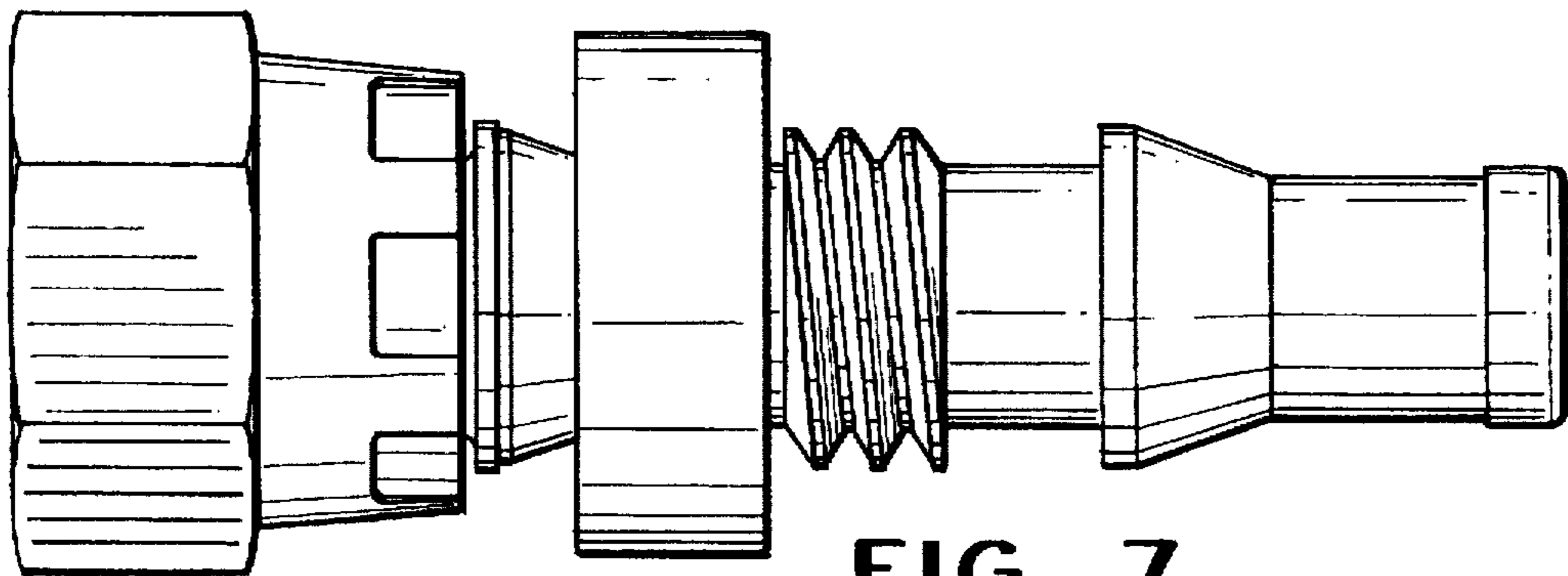


FIG. 7

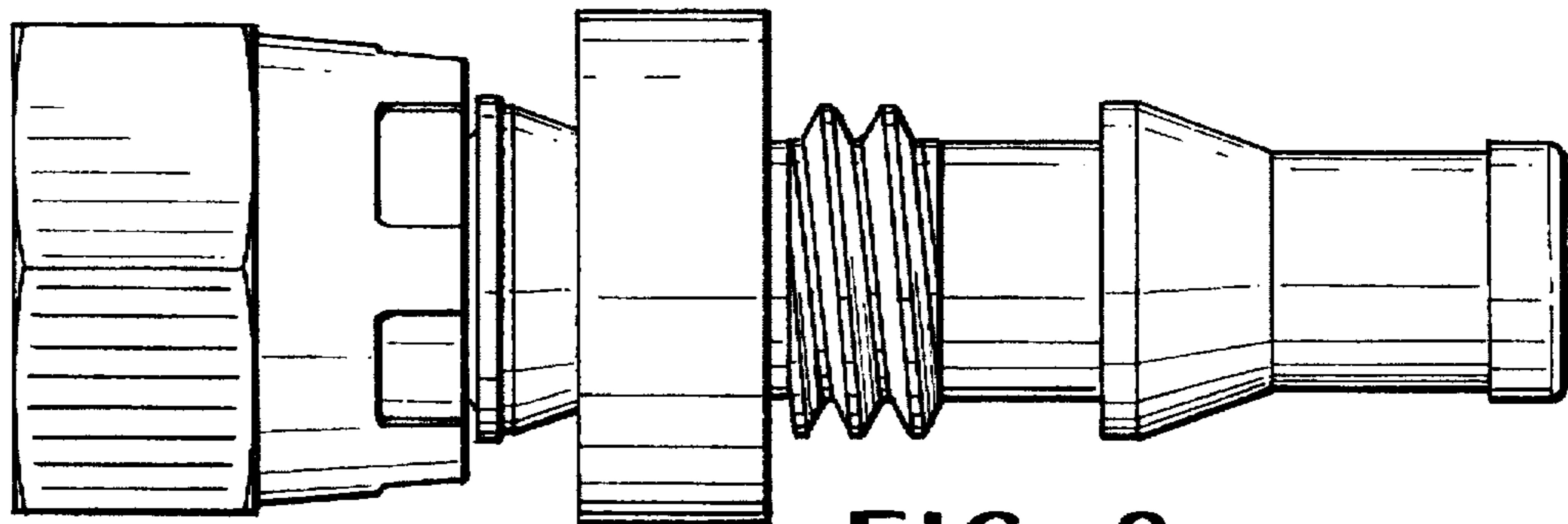


FIG. 8

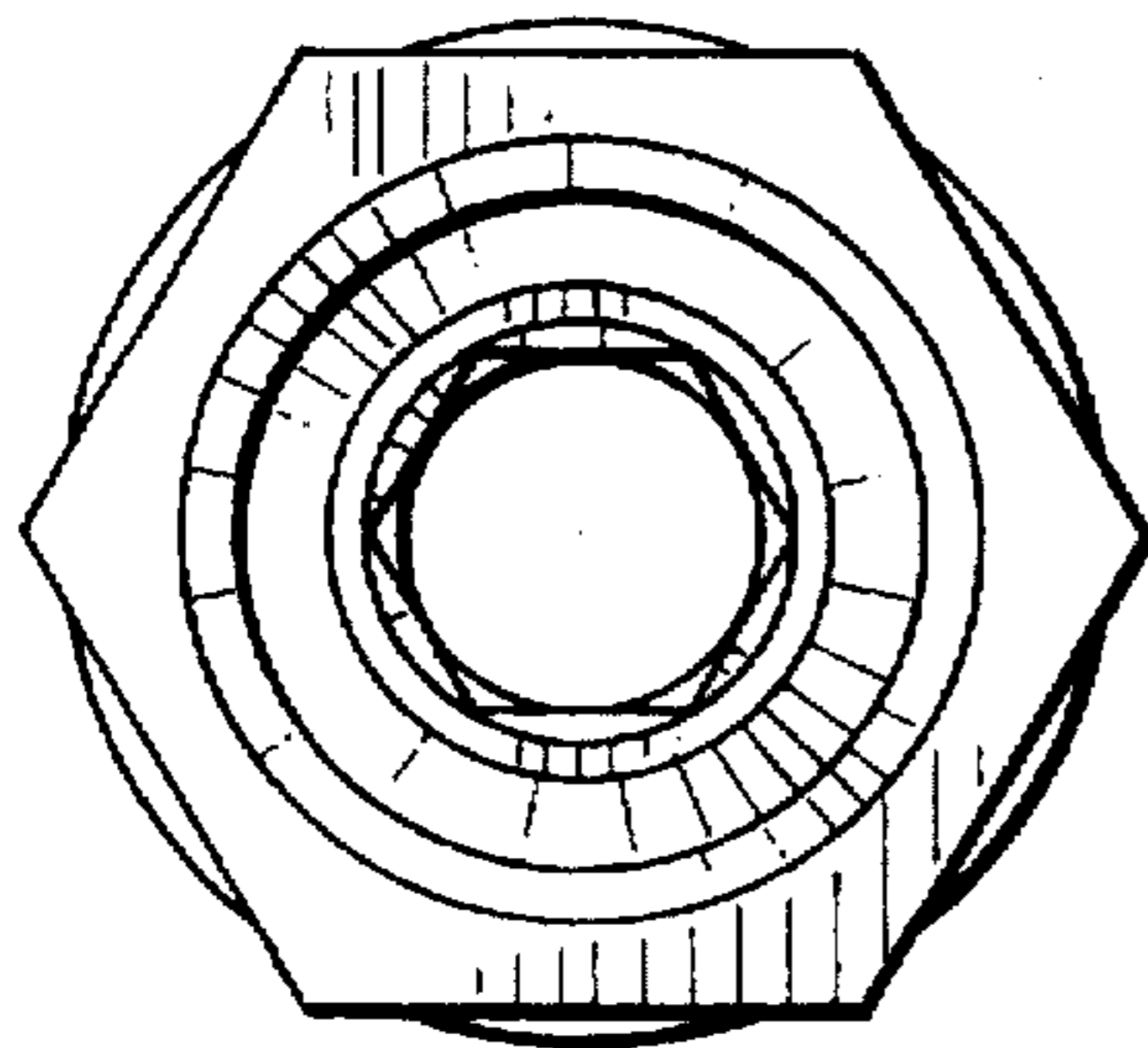


FIG. 9

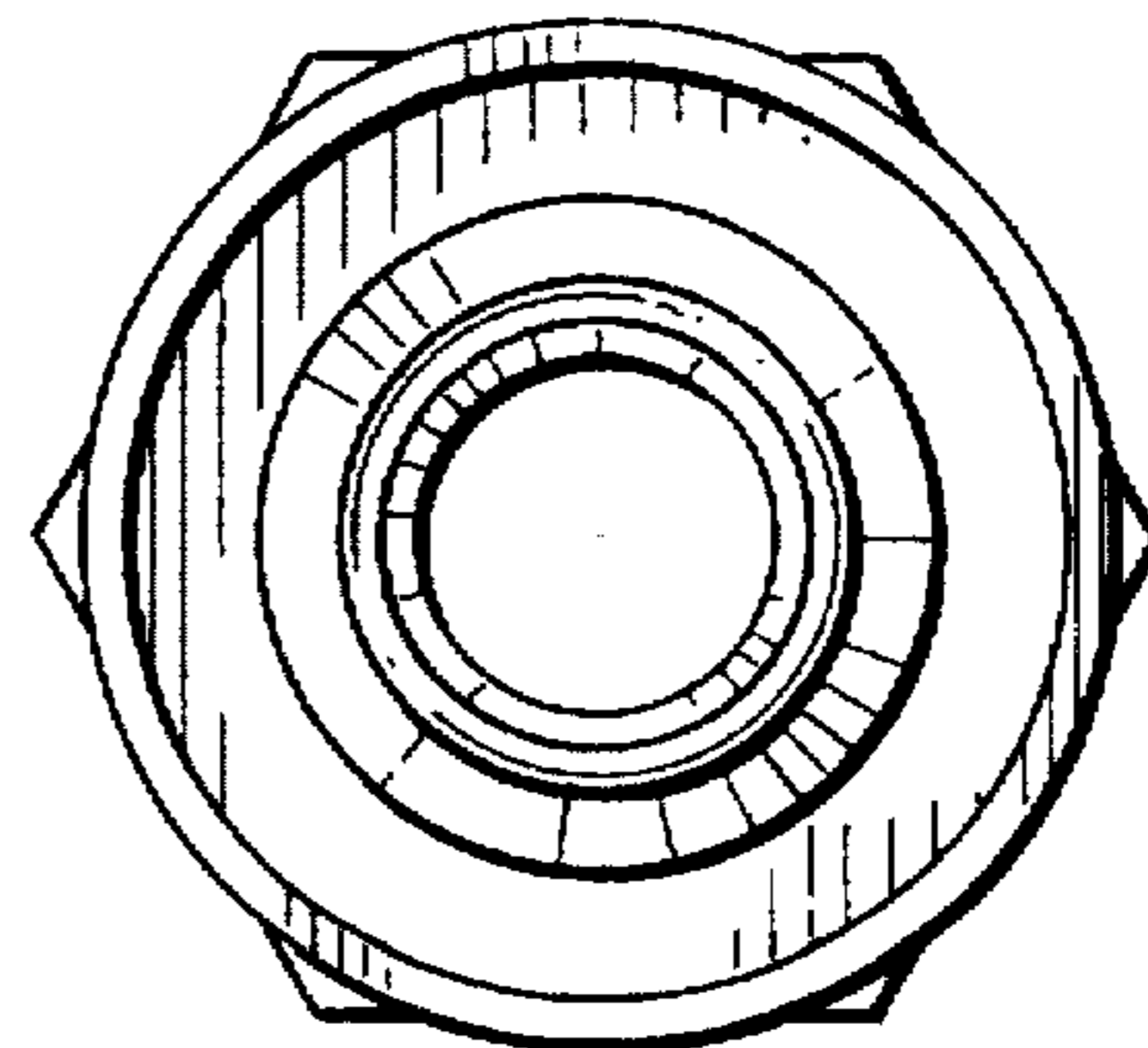


FIG. 10