

US00D396726S

United States Patent [19]

Sadr et al.

[11] Patent Number: **Des. 396,726**

[45] Date of Patent: ****Aug. 4, 1998**

[54] **COMBINED AIR INTAKE MANIFOLD AND FILTER**

[75] Inventors: **Changize Sadr**, North York; **Roger Elgner**, Woodbridge; **Tim Chapman**, Pickering, all of Canada

[73] Assignee: **ABC Group**, Rexdale, Canada

[**] Term: **14 Years**

[21] Appl. No.: **66,474**

[22] Filed: **Feb. 6, 1997**

[51] **LOC (6) Cl.** **15-01**

[52] **U.S. Cl.** **D15/5**

[58] **Field of Search** D15/1-5; D13/112, D13/184, 199; 123/446, 549, 557, 184.21; 440/88, 89, 900

[56] **References Cited**

U.S. PATENT DOCUMENTS

D. 191,806 11/1961 Lechtenberg et al. D15/5

D. 220,591 4/1971 Lange D15/5
4,303,296 12/1981 Spaulding D13/184 X
4,595,841 6/1986 Yaguchi D15/1 X
5,559,379 9/1996 Voss 290/1 R X

Primary Examiner—Sandra L. Morris
Assistant Examiner—Nanda Bondade
Attorney, Agent, or Firm—George A. Seaby

[57] **CLAIM**

The ornamental design for a combined air intake manifold and filter, as shown and described.

DESCRIPTION

FIG. 1 is an isometric view from above of a combined air intake manifold and filter showing our new design;

FIG. 2 is an isometric view from below thereof;

FIG. 3 is an exploded, isometric view thereof from above; and,

FIG. 4 is an exploded, isometric view thereof from below.

1 Claim, 3 Drawing Sheets



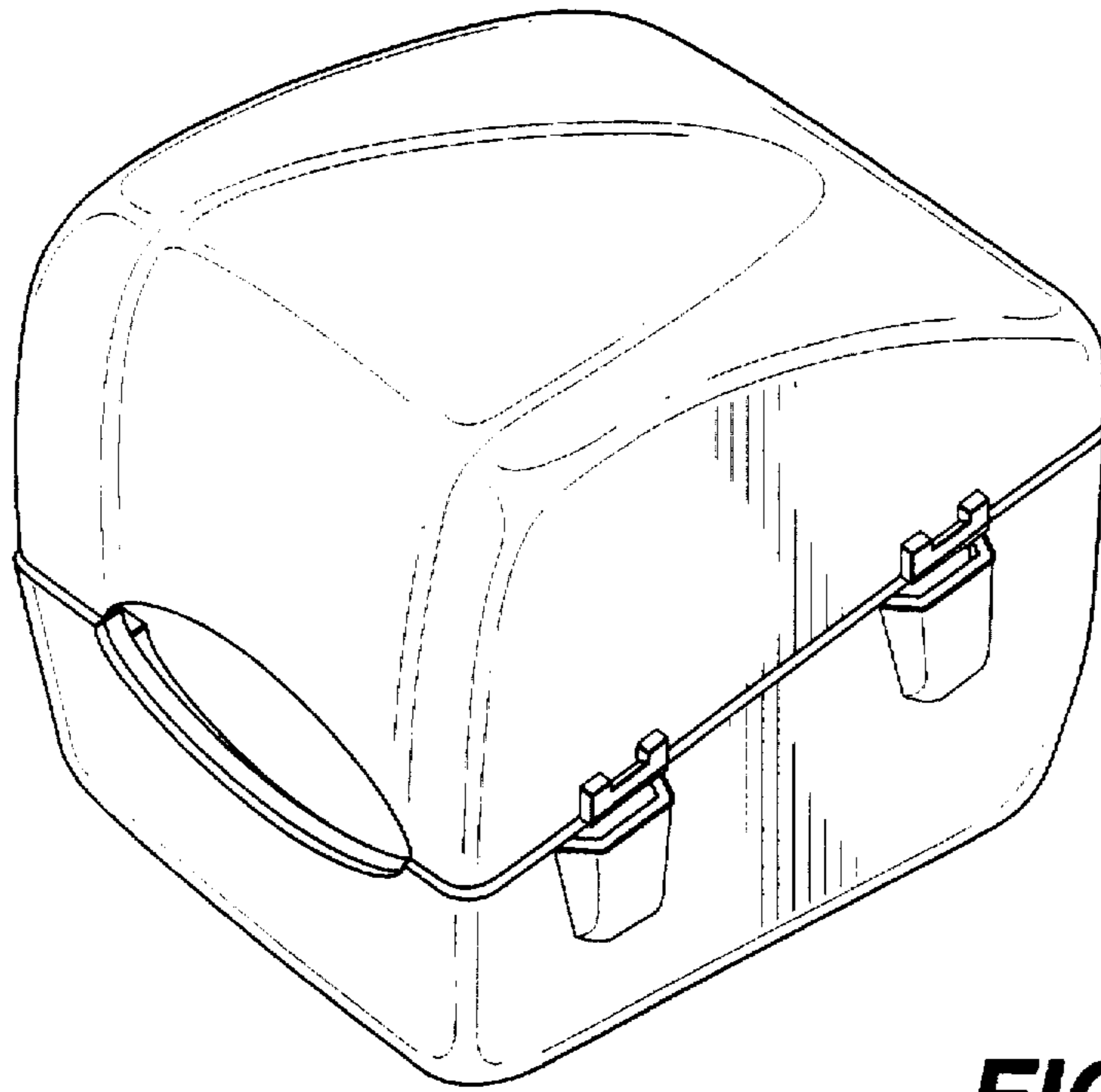


FIG. 1

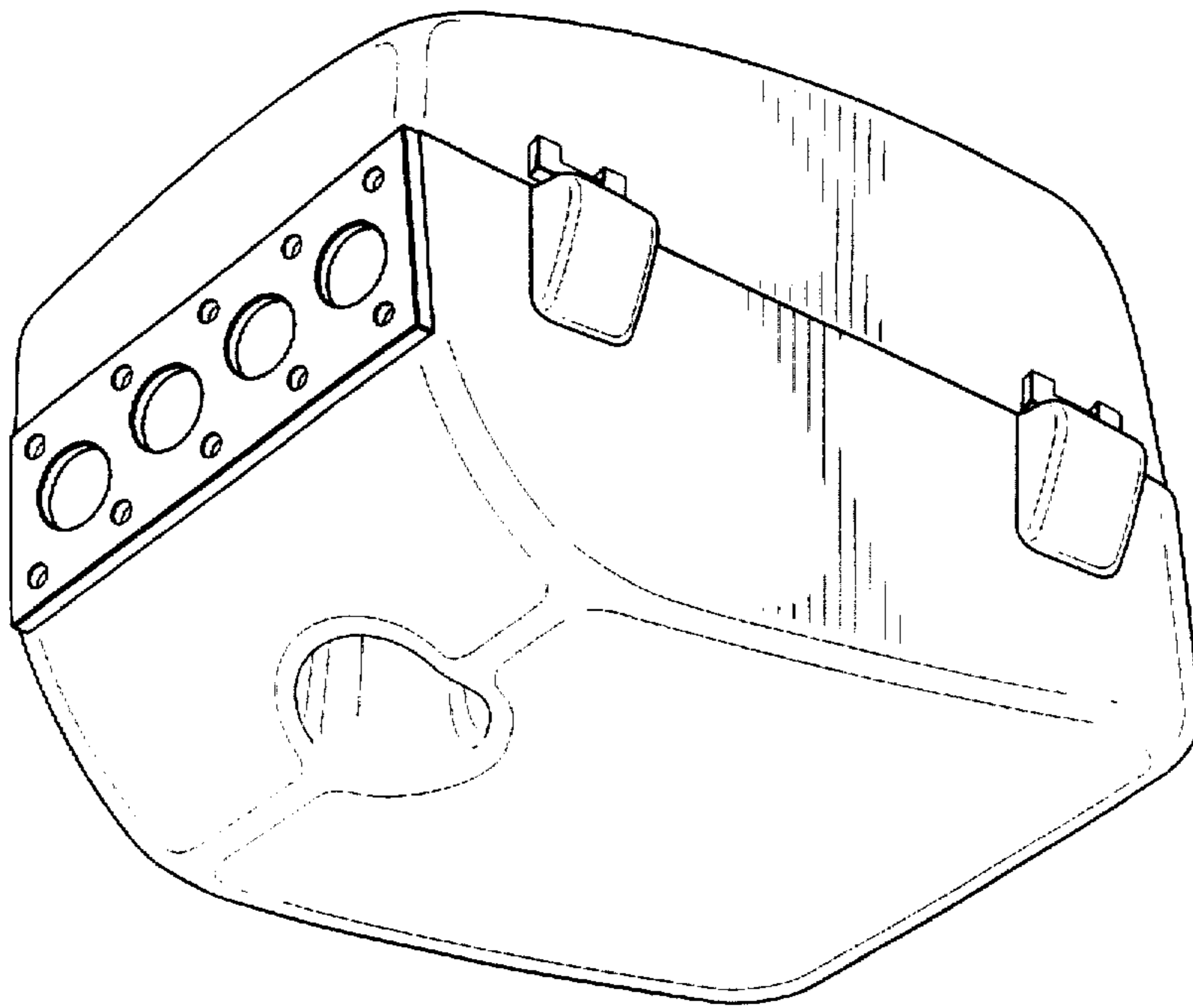


FIG. 2

FIG. 3

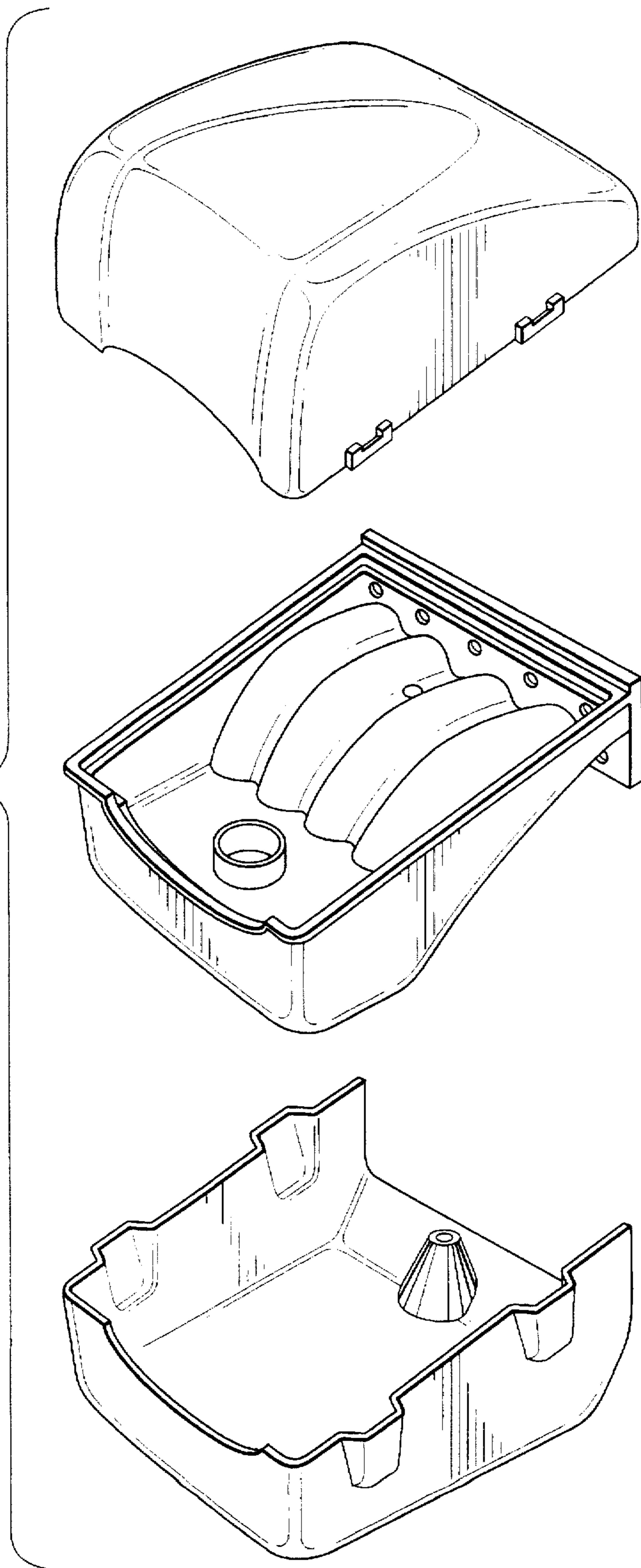


FIG. 4

