



US00D396717S

United States Patent [19]
Sidman et al.

[11] **Patent Number: Des. 396,717**
[45] **Date of Patent: **Aug. 4, 1998**

[54] **COMBINED CRIB NIGHT LIGHT AND CASSETTE PLAYER**

D. 324,683 3/1992 Okada et al. D14/165
D. 336,351 6/1993 Freese et al. D26/60
D. 351,596 10/1994 Pierotti et al. D14/188

[75] **Inventors: Ronald J. Sidman, Marstons Mills; Ralph M. Nowak, Marblehead, both of Mass.; Bruce J. Benedetto, Burlington, Conn.**

Primary Examiner—Sandra L. Morris
Assistant Examiner—Nanda Bondade
Attorney, Agent, or Firm—Fish & Richardson P.C.

[73] **Assignee: The First Years Inc., Avon, Mass.**

[57] **CLAIM**

[**] **Term: 14 Years**

The ornamental design for a combined crib night light and cassette player, as shown and described.

[21] **Appl. No.: 45,611**

DESCRIPTION

[22] **Filed: Oct. 25, 1995**

Related U.S. Application Data

FIG. 1 is a perspective view of a crib night light/cassette player showing our new design;

[63] **Continuation of Ser. No. 32,363, Dec. 16, 1994, abandoned.**

FIG. 2 is a front elevation view thereof;

[51] **LOC (6) Cl. 14-01**

FIG. 3 is a rear elevation view thereof;

[52] **U.S. Cl. D14/162; D14/168**

FIG. 4 is a right side elevational view thereof;

[58] **Field of Search D14/160-169, D14/188-189, 192-198, 260, 265, 299; D26/52, 60; 455/347, 350, 351**

FIG. 5 is a left side elevational view thereof;

FIG. 6 is a top plan view thereof; and,

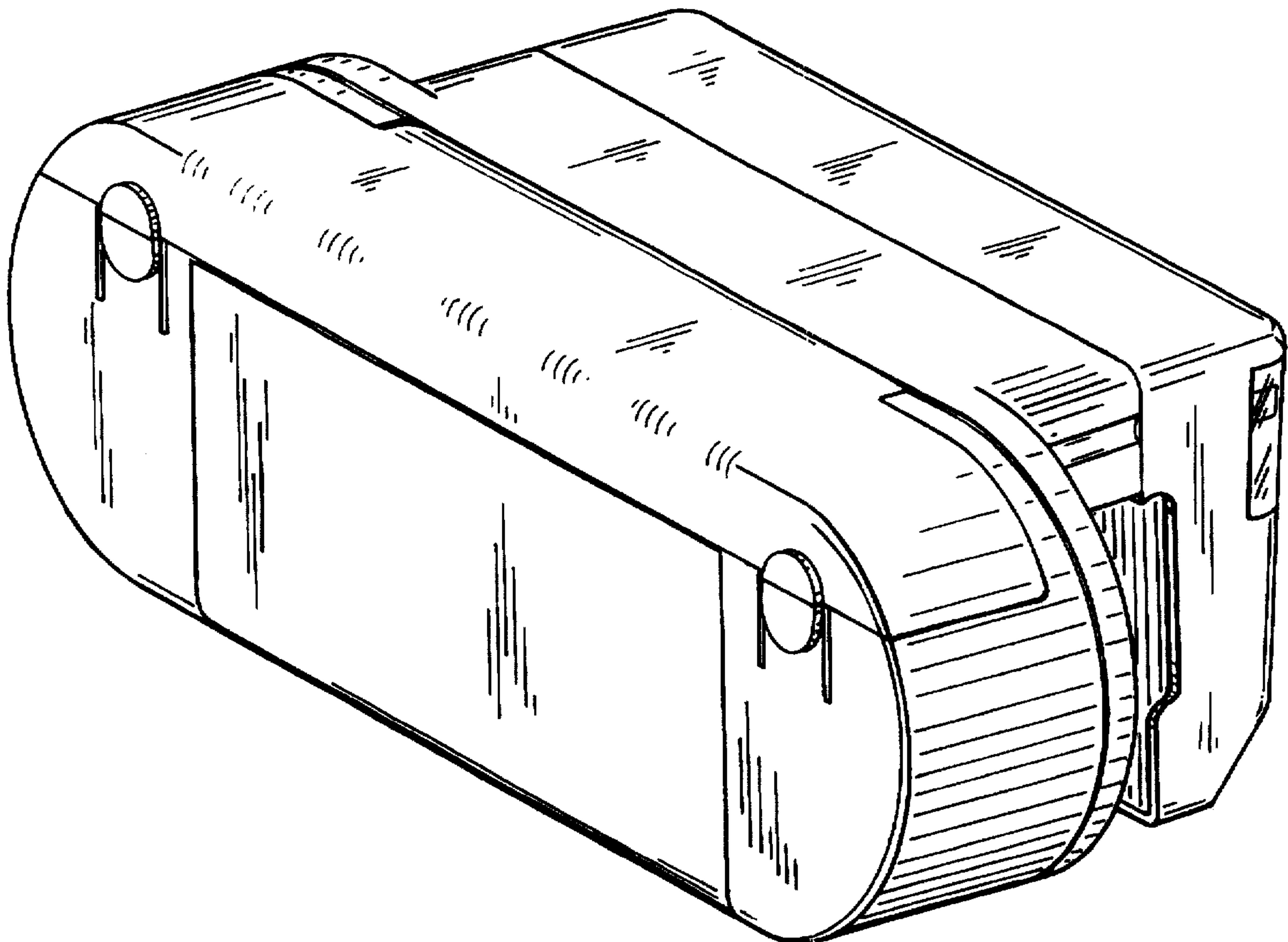
FIG. 7 is a bottom plan view thereof.

[56] **References Cited**

U.S. PATENT DOCUMENTS

D. 287,853 1/1987 Siegel D14/194

1 Claim, 3 Drawing Sheets



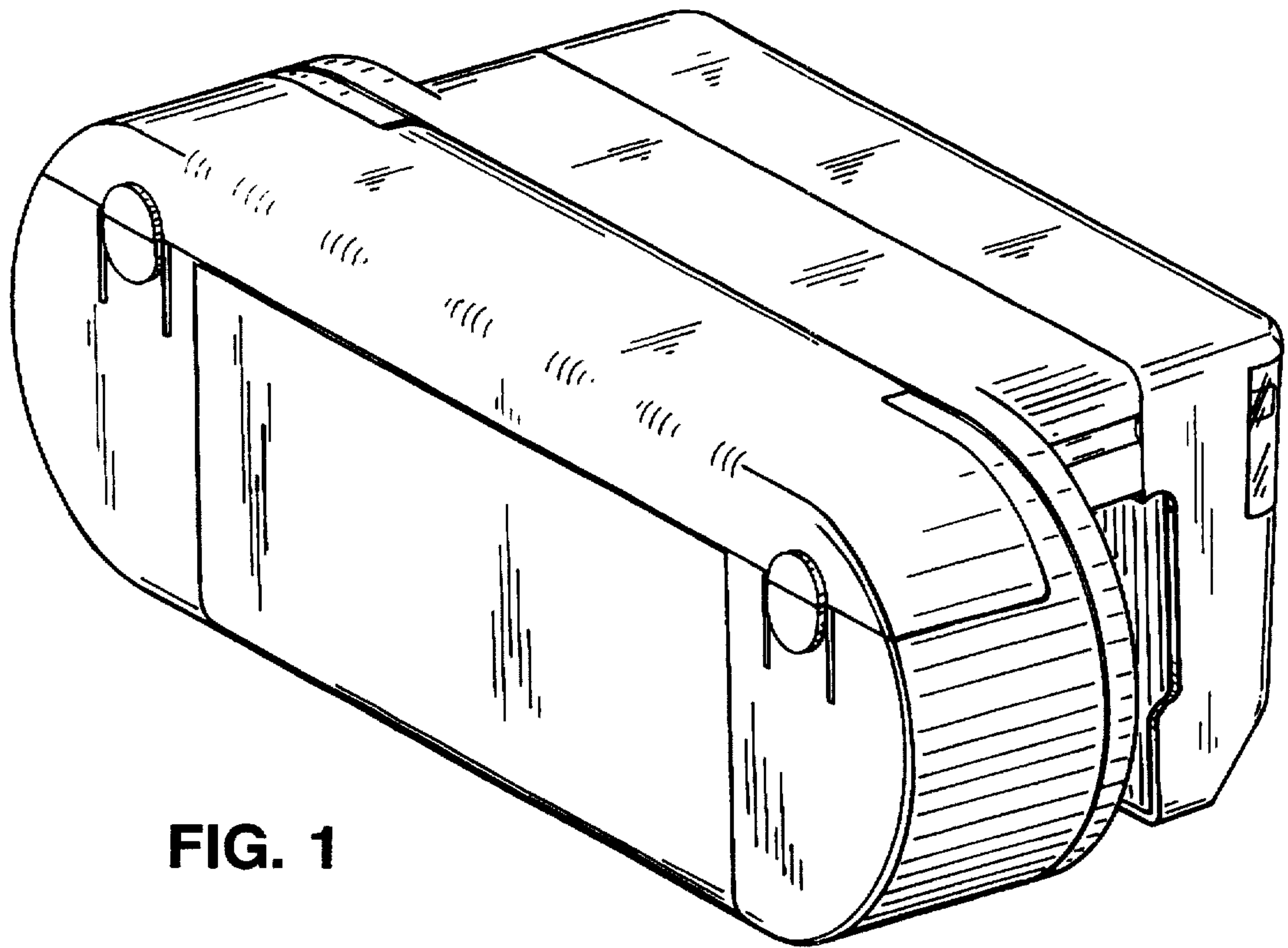


FIG. 1

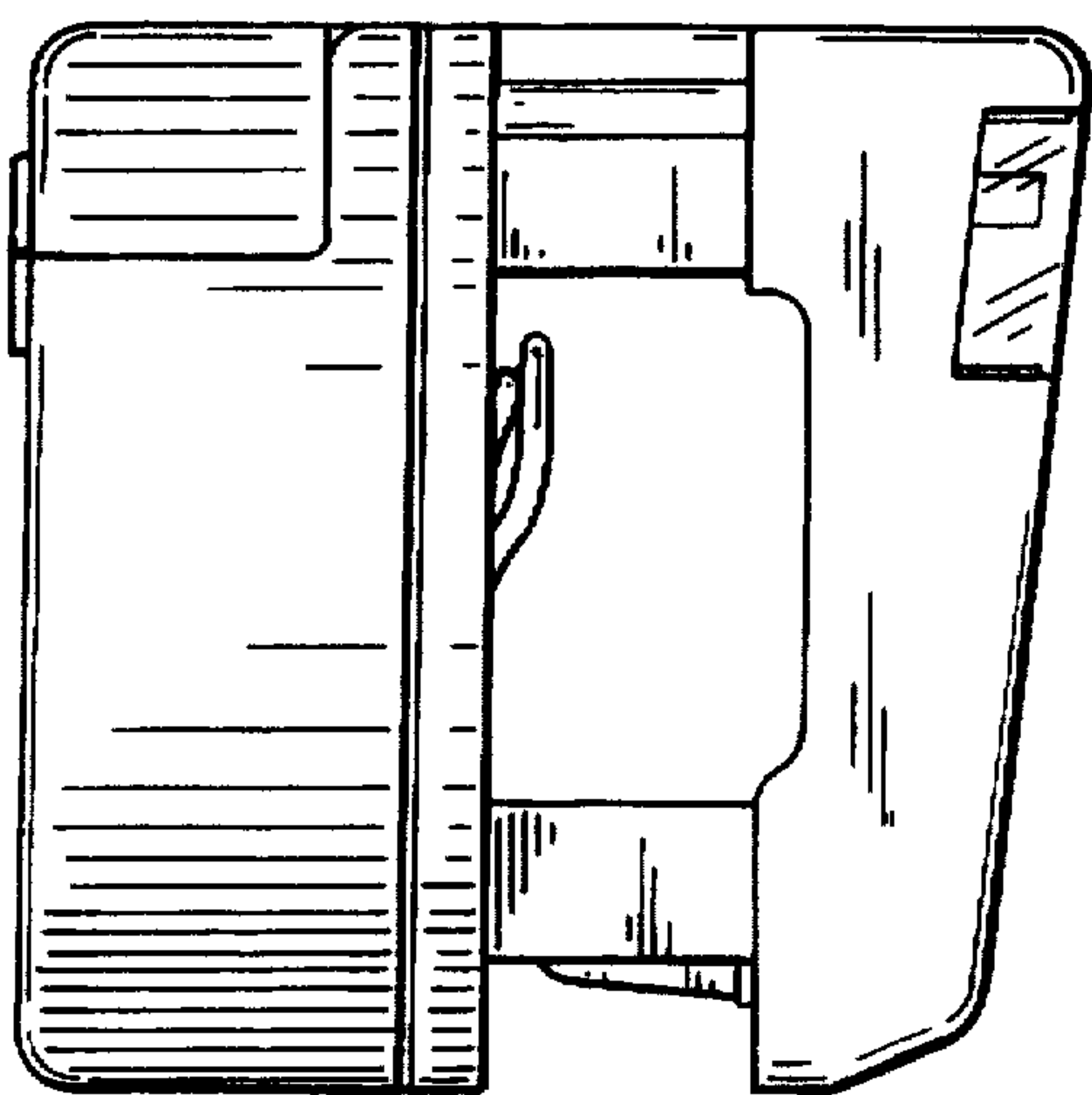


FIG. 4

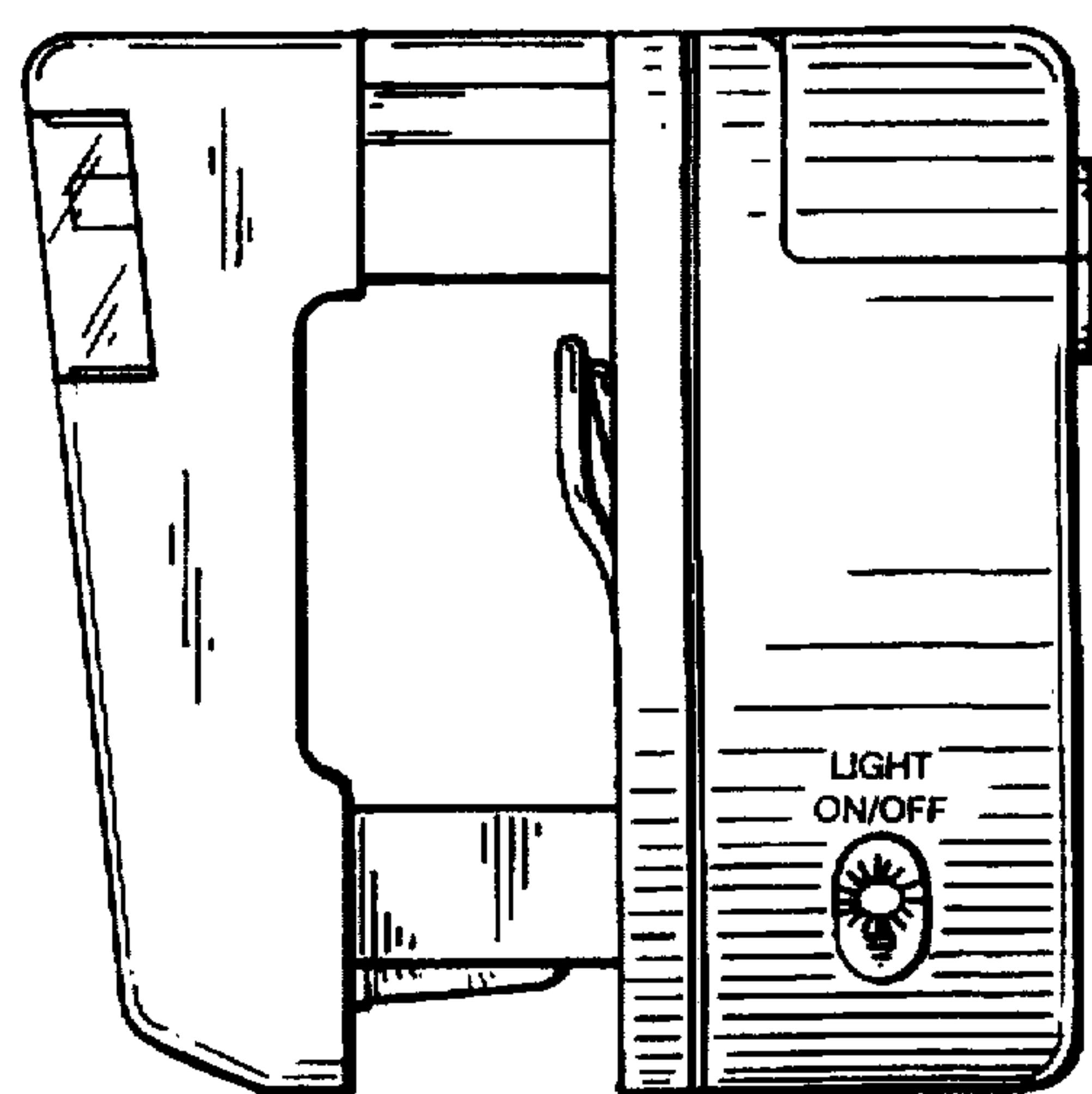


FIG. 5

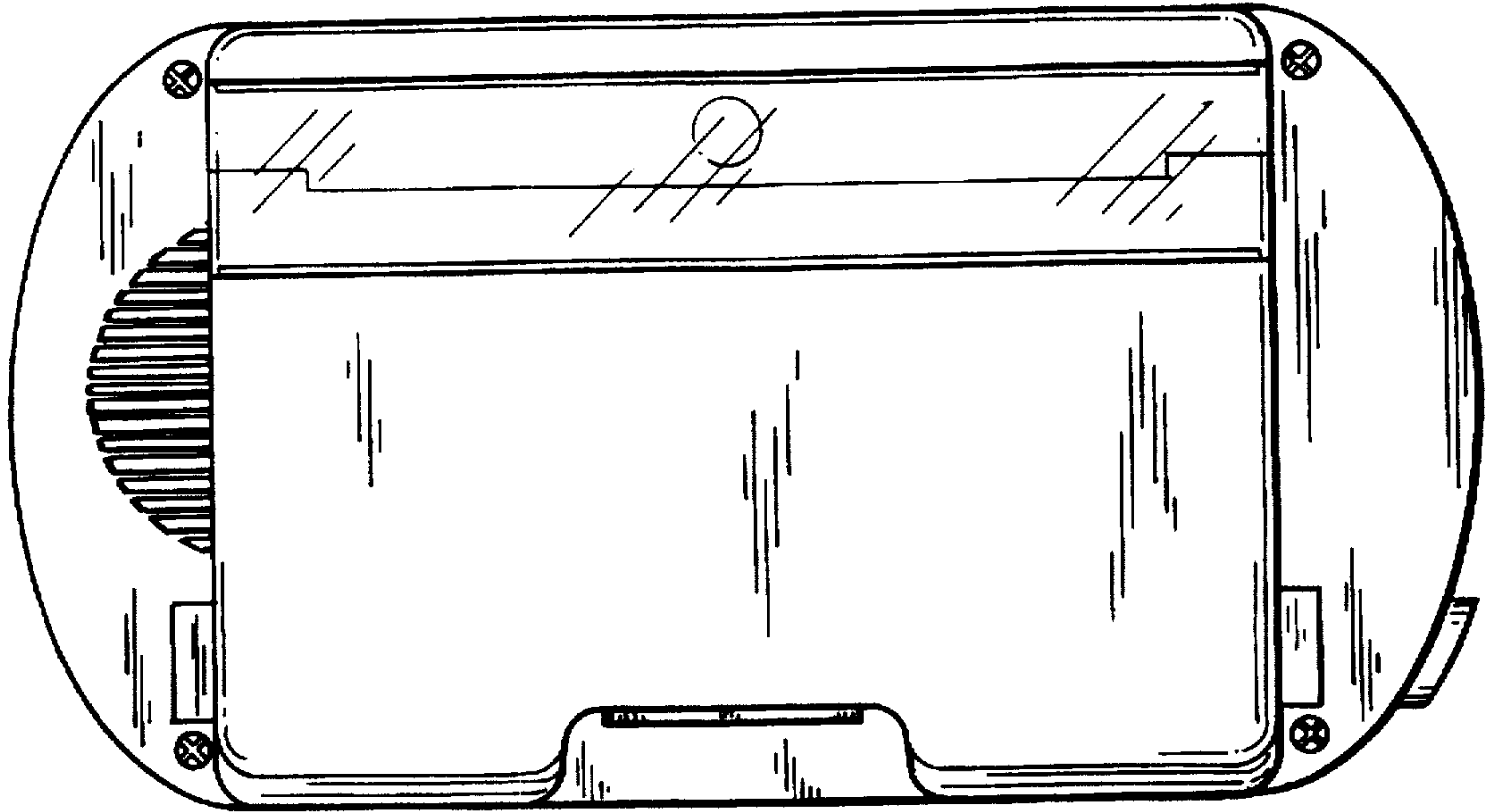


FIG. 3

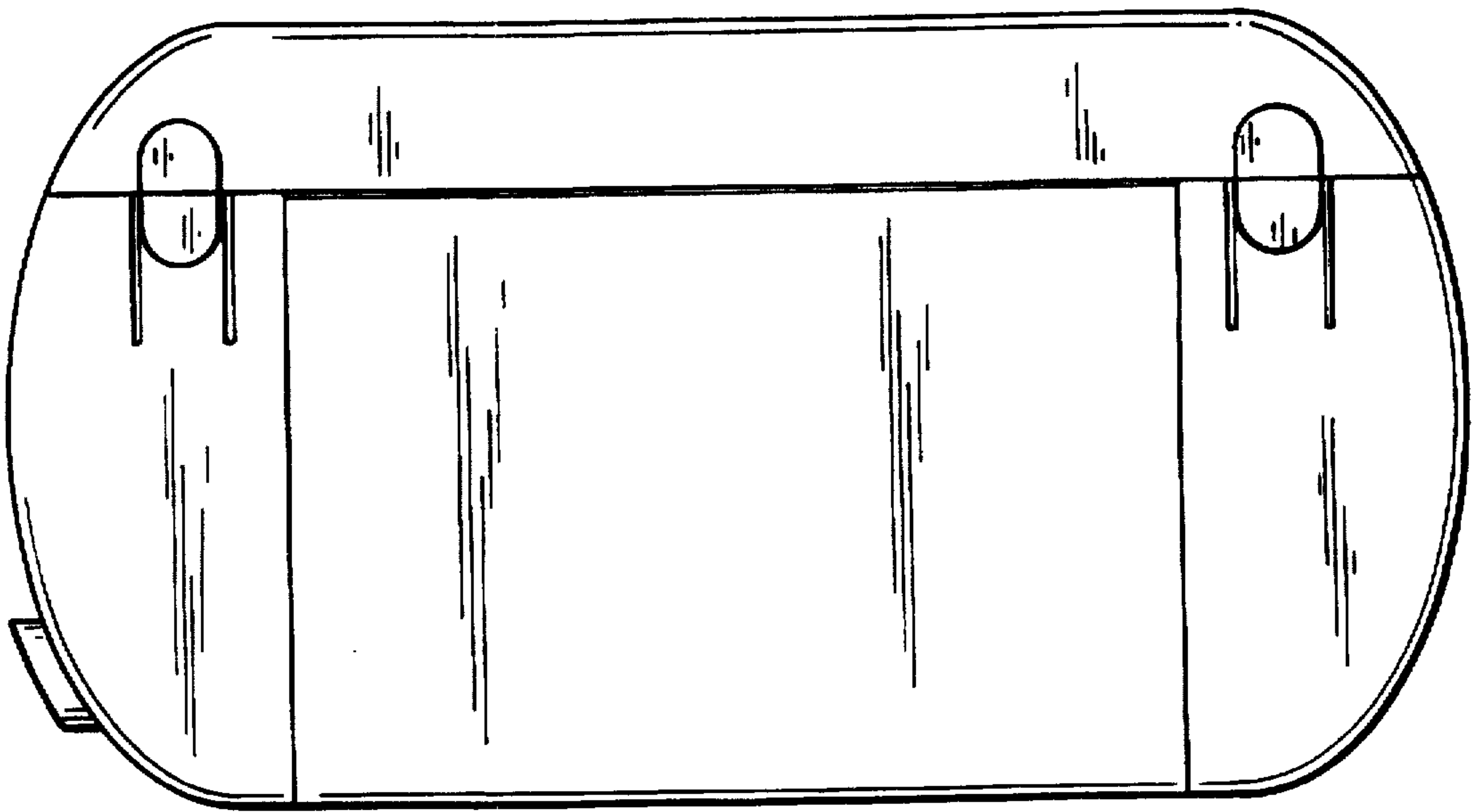


FIG. 2

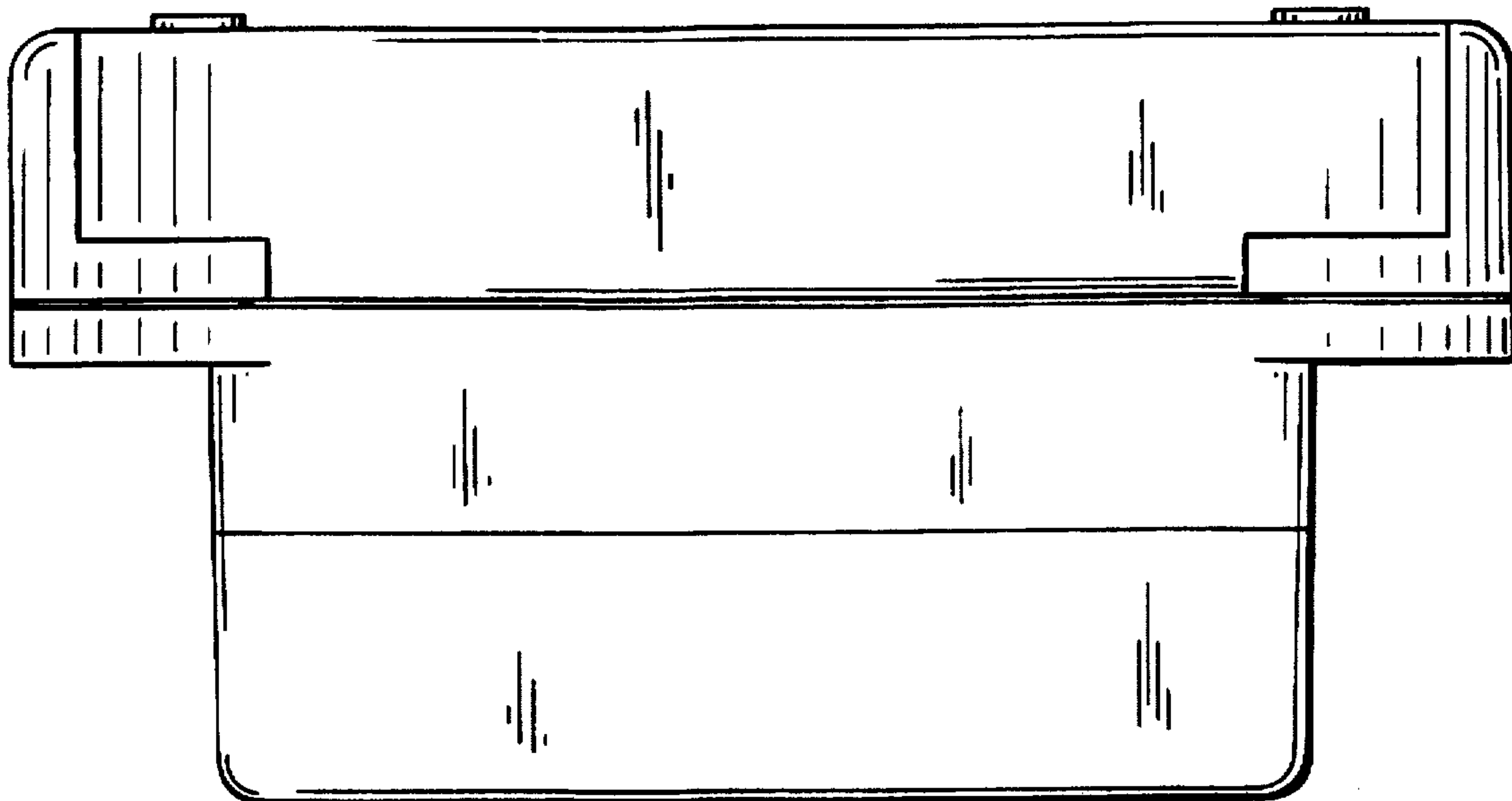


FIG. 6

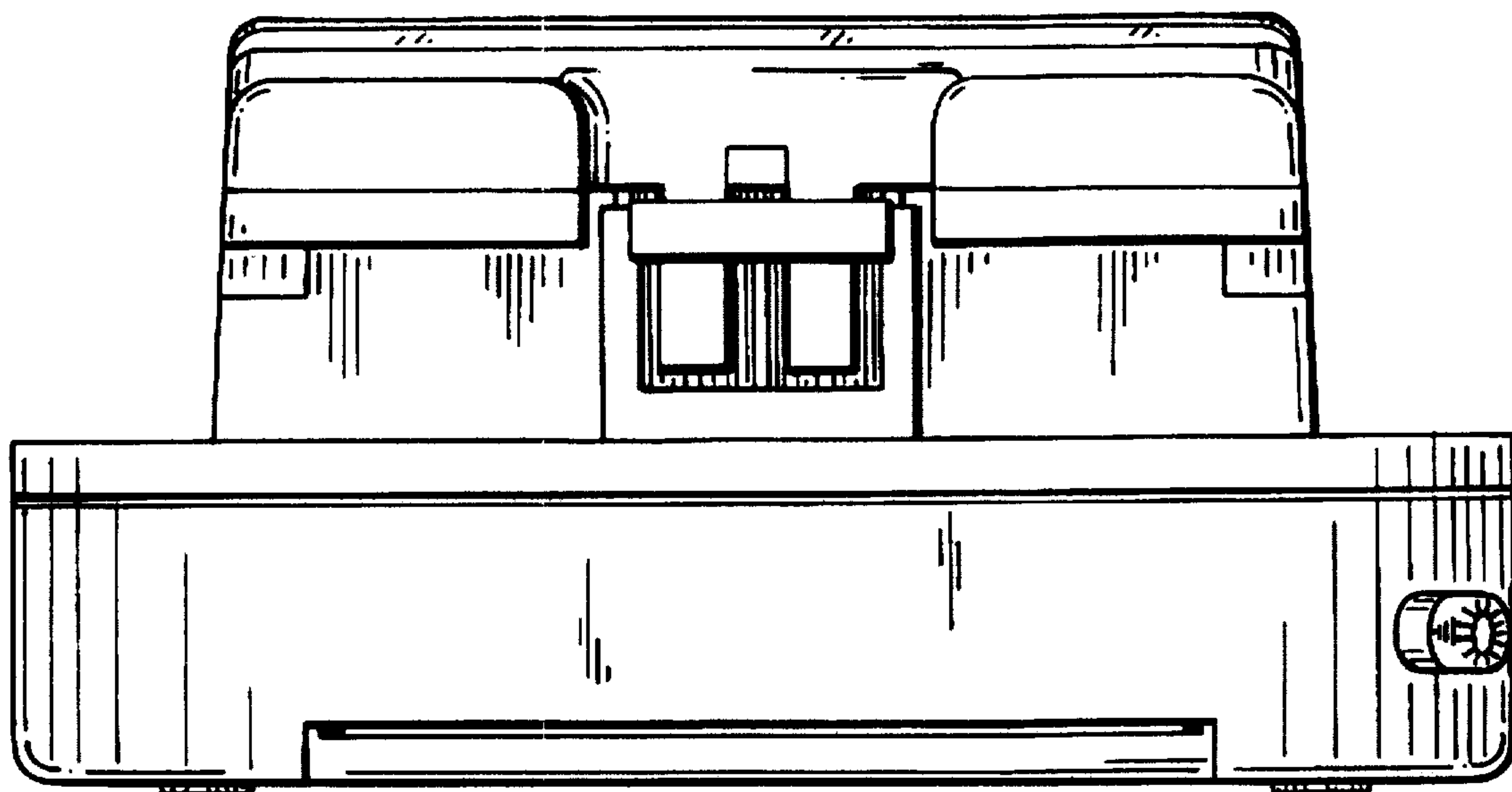


FIG. 7