



US00D396712S

# United States Patent [19]

Pooler et al.

[11] Patent Number: **Des. 396,712**

[45] Date of Patent: **\*\*Aug. 4, 1998**

[54] **FRONT BEZEL FOR A PERSONAL COMPUTER**

[75] Inventors: **Anton R. Poole; James P. Collas**, both of Dakota Dunes, S. Dak.

[73] Assignee: **Gateway 2000, Inc.**, North Sioux City, S. Dak.

[\*\*] Term: **14 Years**

[21] Appl. No.: **72,997**

[22] Filed: **Jun. 27, 1997**

[51] LOC (6) Cl. .... **14-02**

[52] U.S. Cl. .... **D14/115**

[58] Field of Search ..... D14/100, 102, D14/107-109, 115, 257, 258, 137, 156, 217; D10/103; D13/162, 184, 199, 164, 177; 312/223.2; 361/600, 622, 724-728; 428/99

[56] **References Cited**

**U.S. PATENT DOCUMENTS**

D. 348,058 6/1994 McGrath et al. .... D14/115

*Primary Examiner*—Freda Nunn

*Attorney, Agent, or Firm*—Schwegman, Lundberg, Woessner & Kluth P.A.

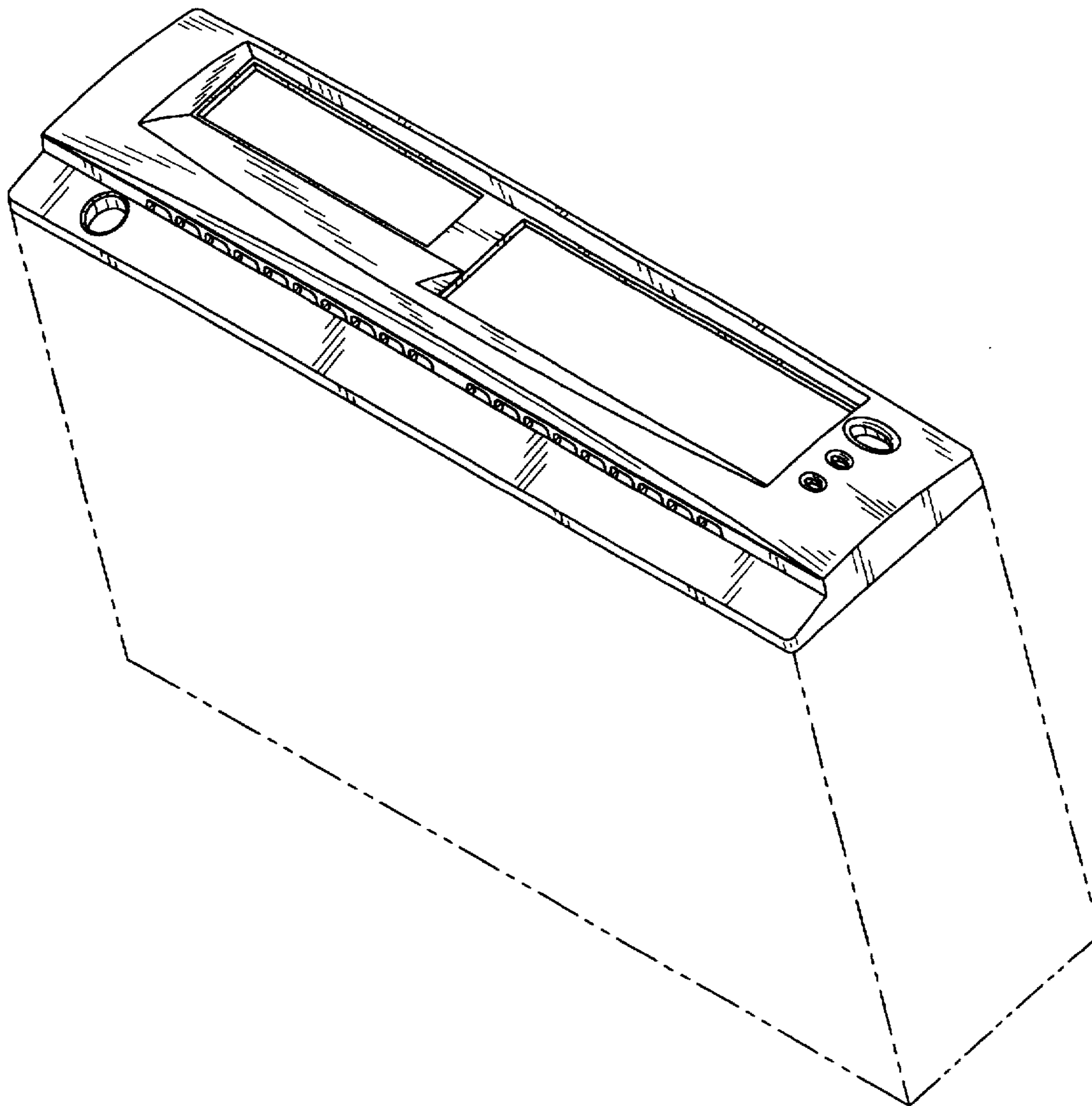
[57] **CLAIM**

The ornamental design for a front bezel for a personal computer, as shown and described.

**DESCRIPTION**

FIG. 1 is a bottom front right side perspective view of a front bezel for a personal computer incorporating the new design; FIG. 2 is a top plan view thereof; and, FIG. 3 is a left side elevational view thereof. The broken lines are shown for illustrative purposes only and form no part of the claimed design.

**1 Claim, 2 Drawing Sheets**



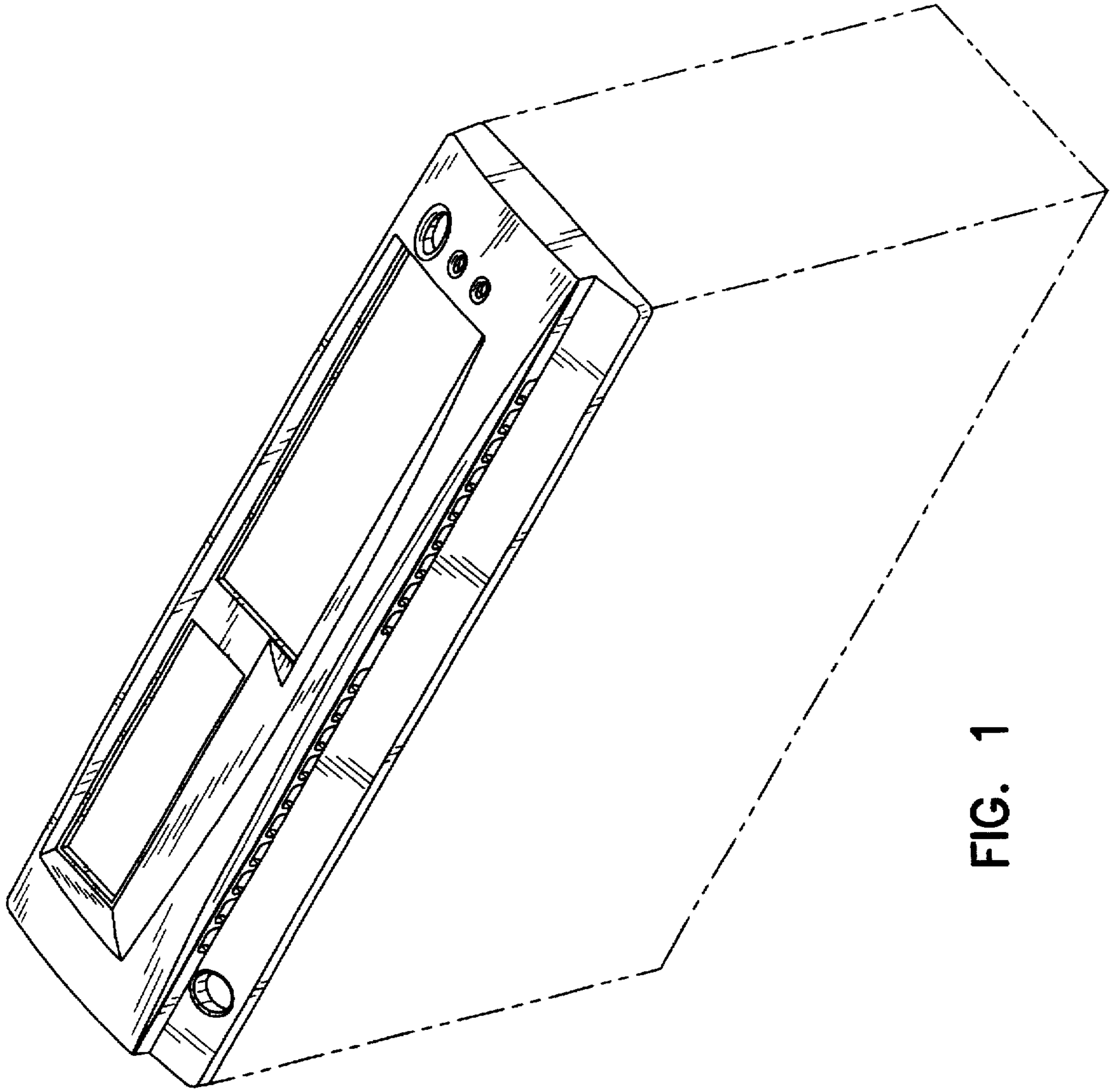


FIG. 1

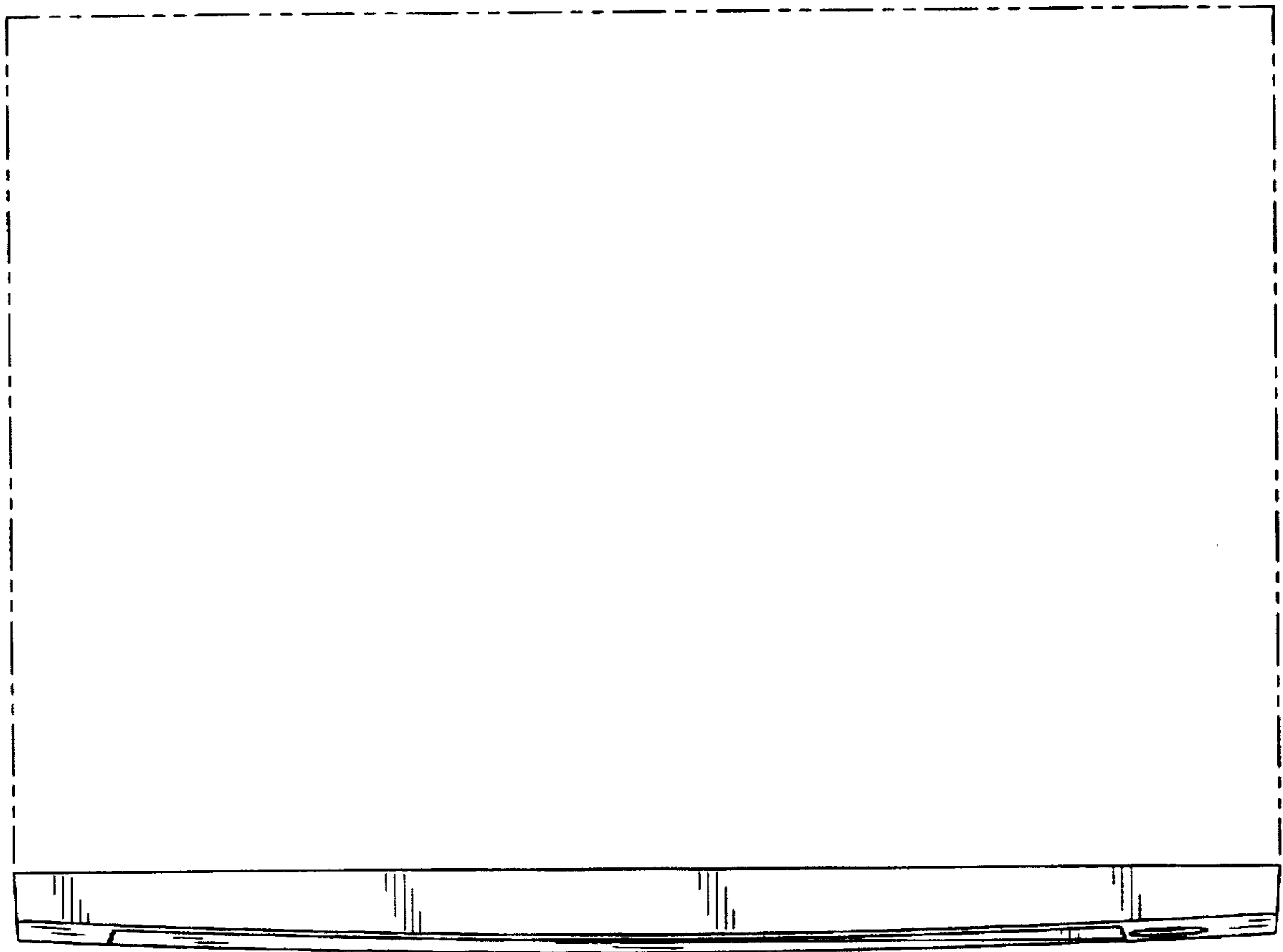


FIG. 2

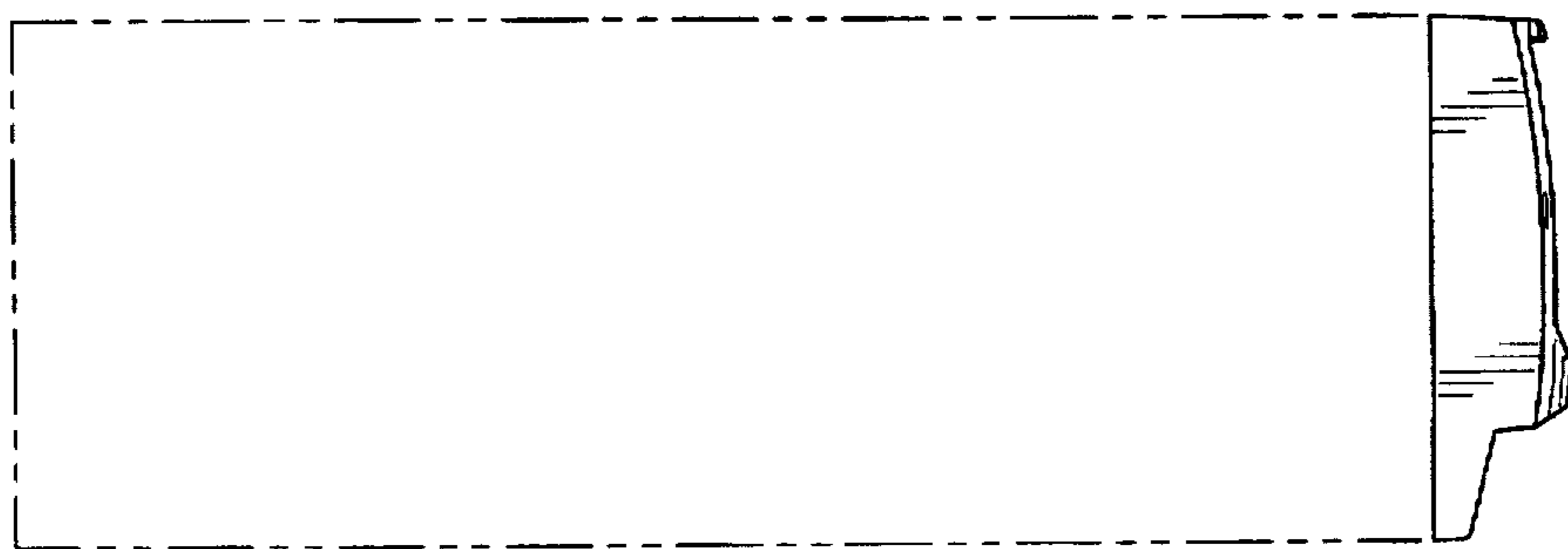


FIG. 3