



US00D396708S

United States Patent [19]
Kirchhoff et al.

[11] **Patent Number: Des. 396,708**
[45] **Date of Patent: **Aug. 4, 1998**

[54] **KEYBOARD SUPPORT ASSEMBLY**
[75] **Inventors: Kenneth J. Kirchhoff, Gem Lake; Robert J. Wolf, Woodbury, both of Minn.; Lawrence J. Fenske; Manfred W. Suhr, both of Oregon, Wis.**

D. 357,910	5/1995	Newhouse	D14/114
D. 387,744	12/1997	Kirchhoff et al.	D14/114
3,830,352	8/1974	Kolpek	197/186
4,616,798	10/1986	Smeenge et al.	248/281
4,625,657	12/1986	Little et al.	108/93
4,644,875	2/1987	Watt	108/93
5,190,387	3/1993	Auth	400/717
5,413,294	5/1995	Greenquist	400/717 X

[73] **Assignee: Minnesota Mining and Manufacturing Company, St. Paul, Minn.**

Primary Examiner—Freda Nunn
Attorney, Agent, or Firm—Michael A. Hakamaki

[**] **Term: 14 Years**

[21] **Appl. No.: 74,978**

[22] **Filed: Aug. 15, 1997**

[57] **CLAIM**

The ornamental design for a keyboard support assembly, as shown.

Related U.S. Application Data

DESCRIPTION

[62] **Division of Ser. No. 50,543, Jan. 16, 1996, Pat. No. Des. 387,744.**

FIG. 1 is a top, front, right isometric view of a keyboard support assembly showing our new design;

[51] **LOC (6) Cl. 14-02**

FIG. 2 is a top view of the keyboard support assembly;

[52] **U.S. Cl. D14/114; D14/115**

FIG. 3 is a bottom view of the keyboard support assembly;

[58] **Field of Search D14/100, 113, D14/114, 115; 248/918-924, 442.2, 441.1, 174, 121, 447.2, 118.1; D6/510, 511, 491; D7/550; D19/75, 83, 92; 211/1, 60.1, 86, 88, 90, 97, 98, 104; 312/208.1, 208.2, 208.4, 281, 282; 400/717; 108/93**

FIG. 4 is a front view of the keyboard support assembly;

FIG. 5 is a rear view of the keyboard support assembly;

FIG. 6 is a right side elevational view of the keyboard support assembly; and,

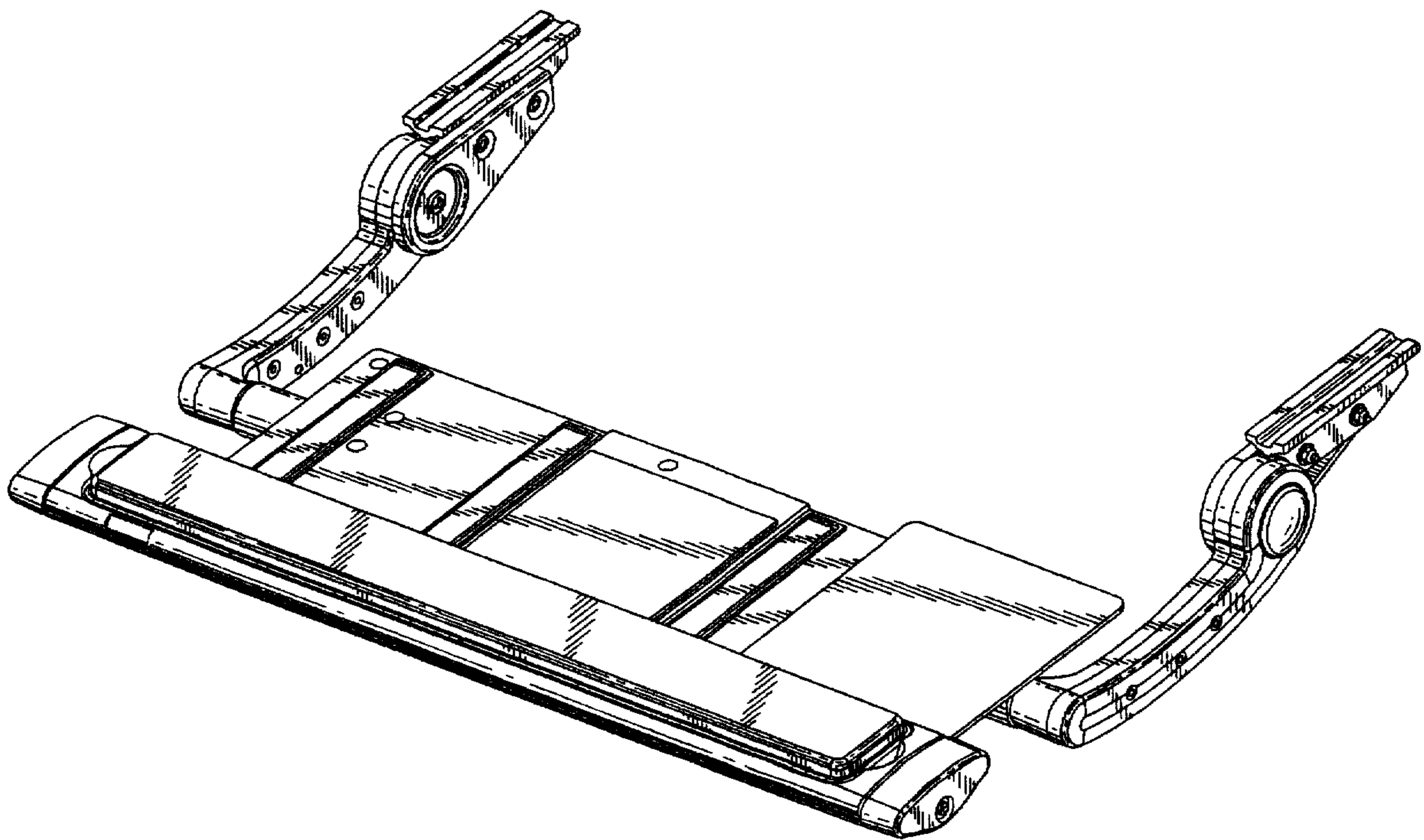
FIG. 7 is a left side elevational view of the keyboard support assembly.

[56] **References Cited**

U.S. PATENT DOCUMENTS

D. 344,652 3/1994 Hatcher

1 Claim, 5 Drawing Sheets



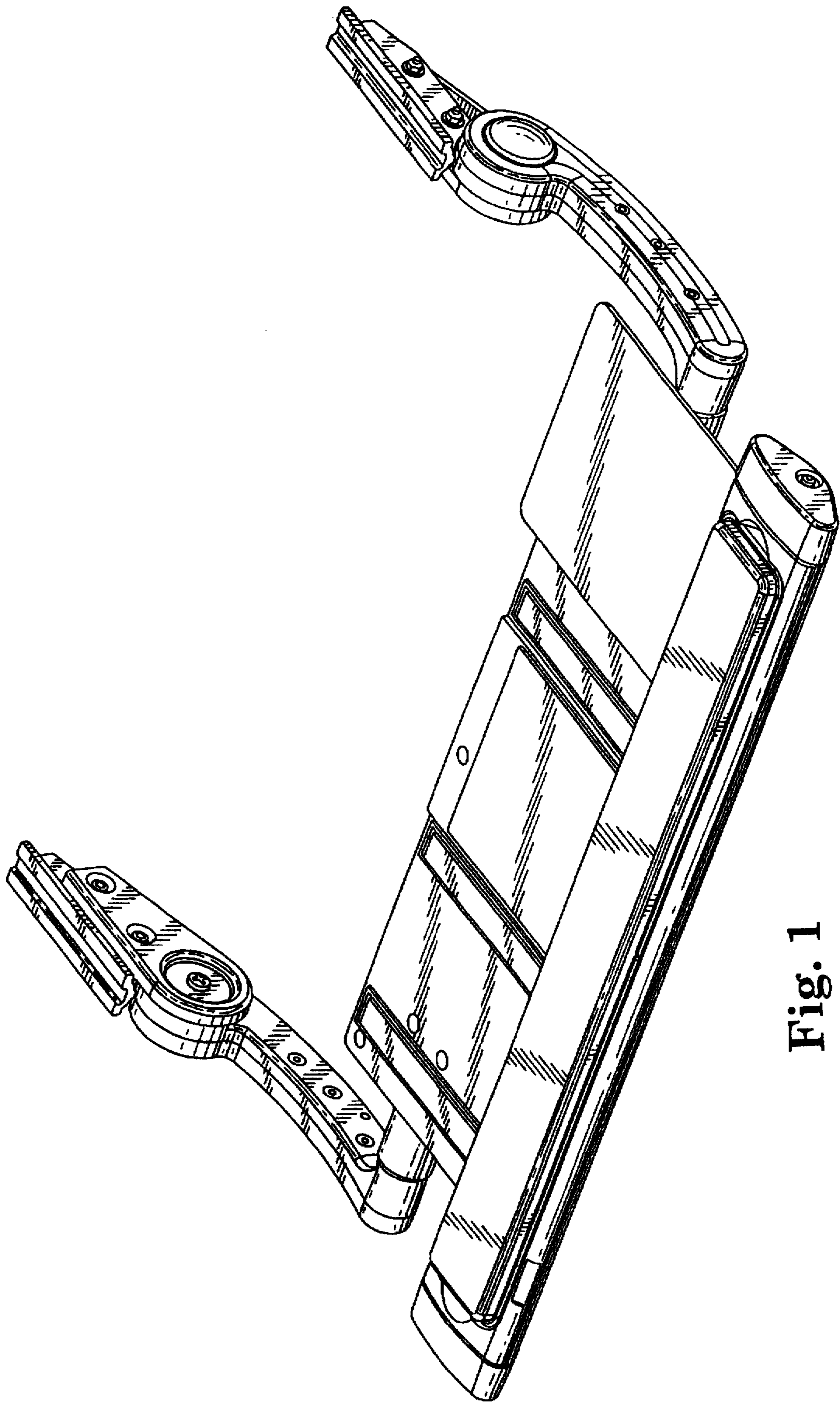


Fig. 1

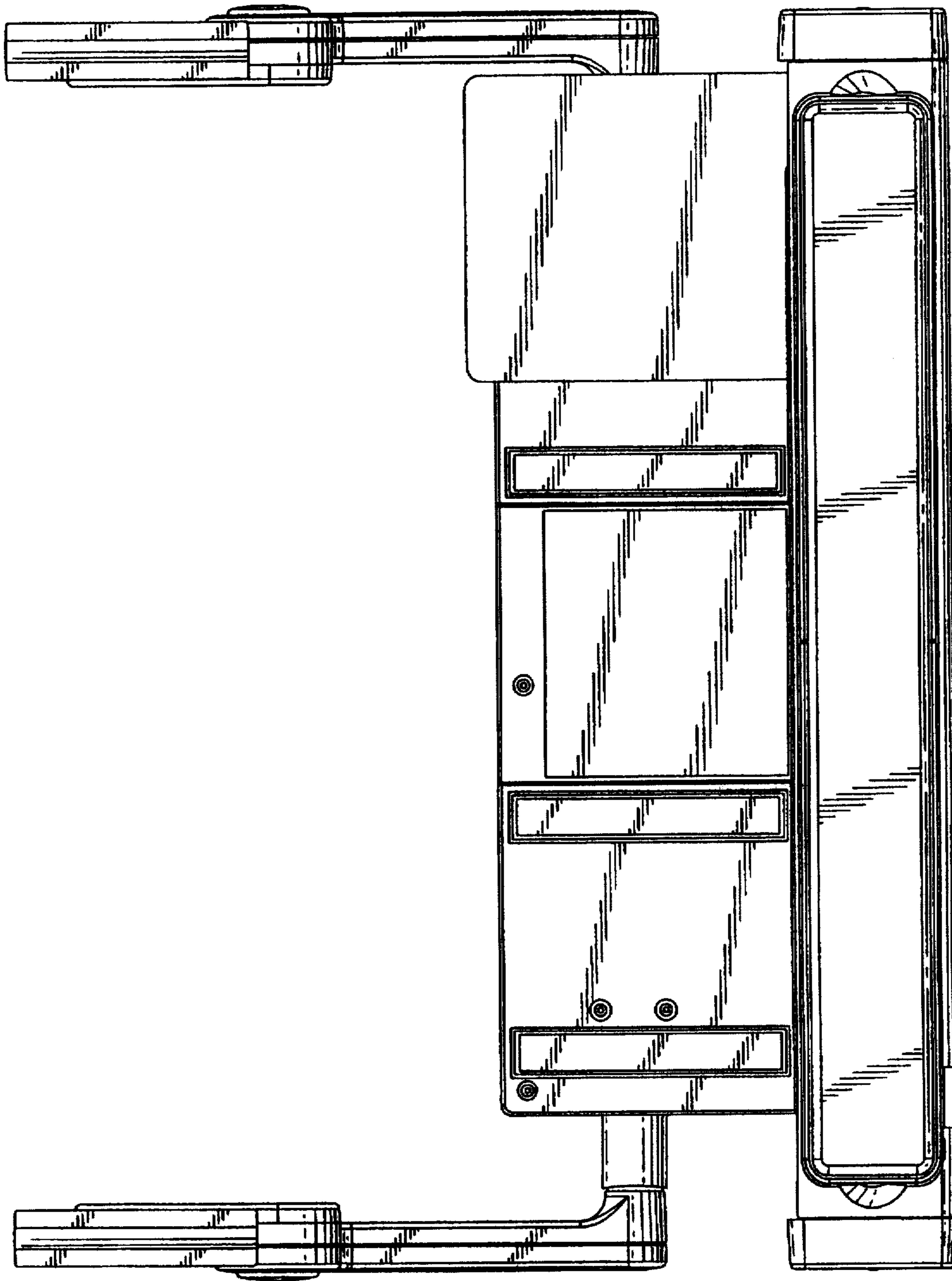


Fig. 2

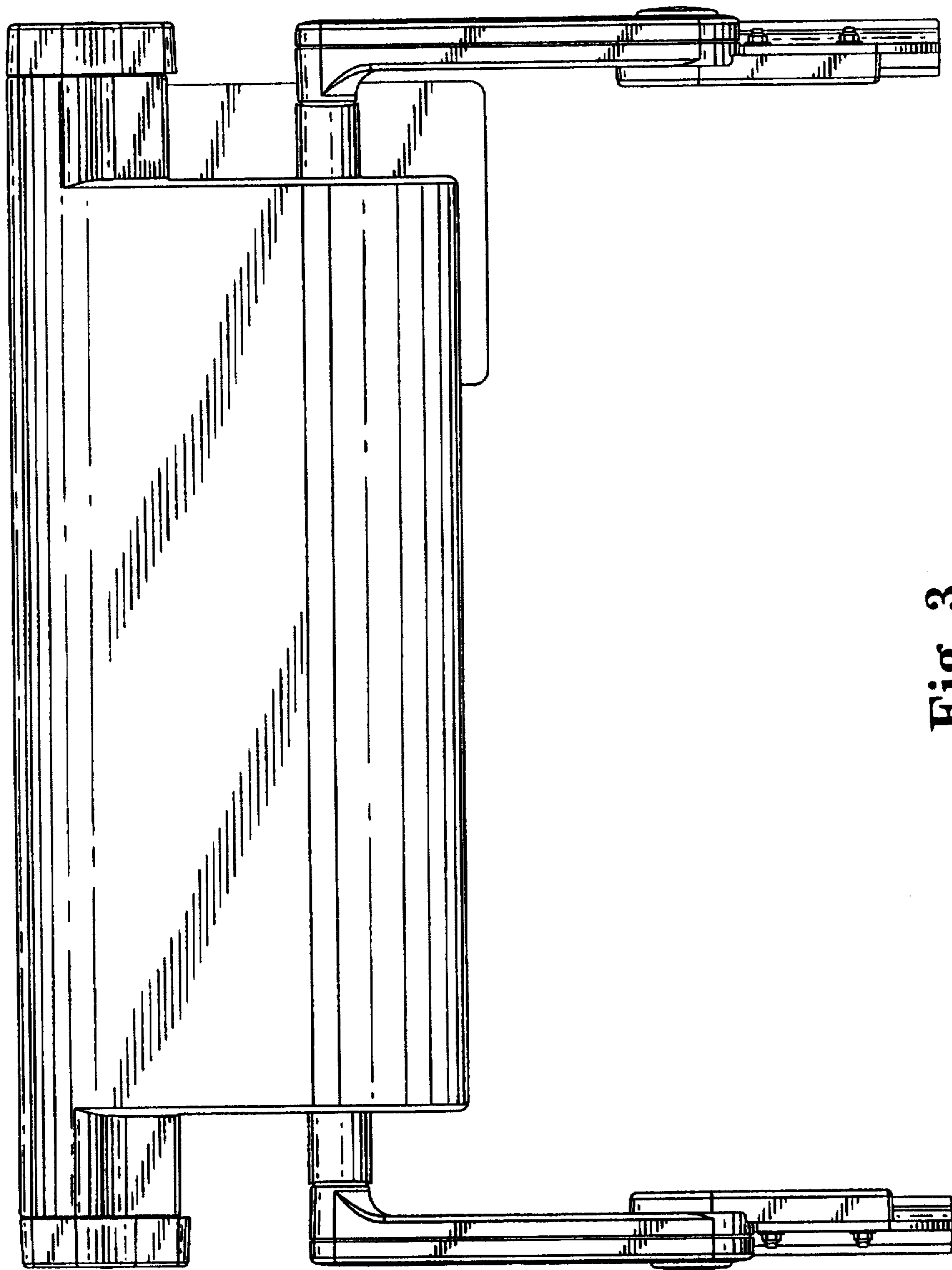


Fig. 3

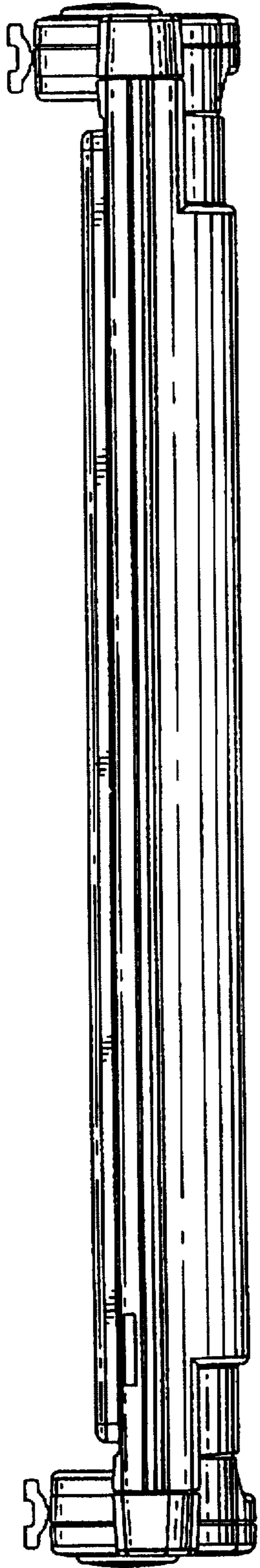


Fig. 4

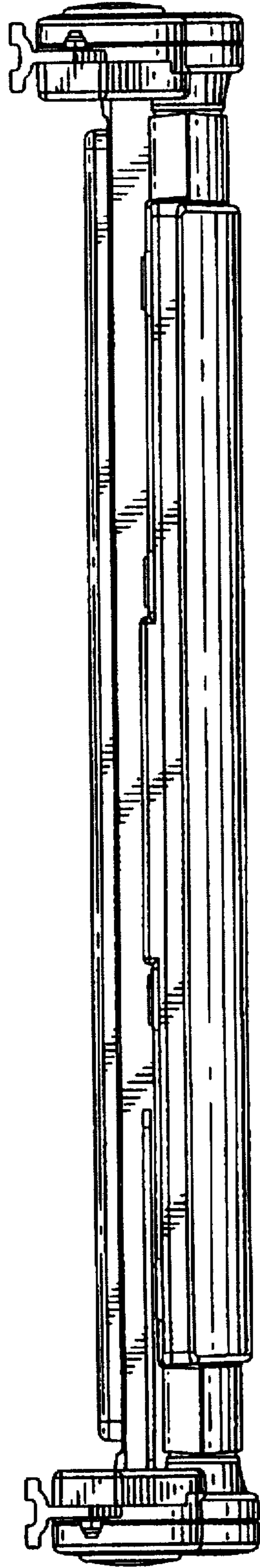


Fig. 5

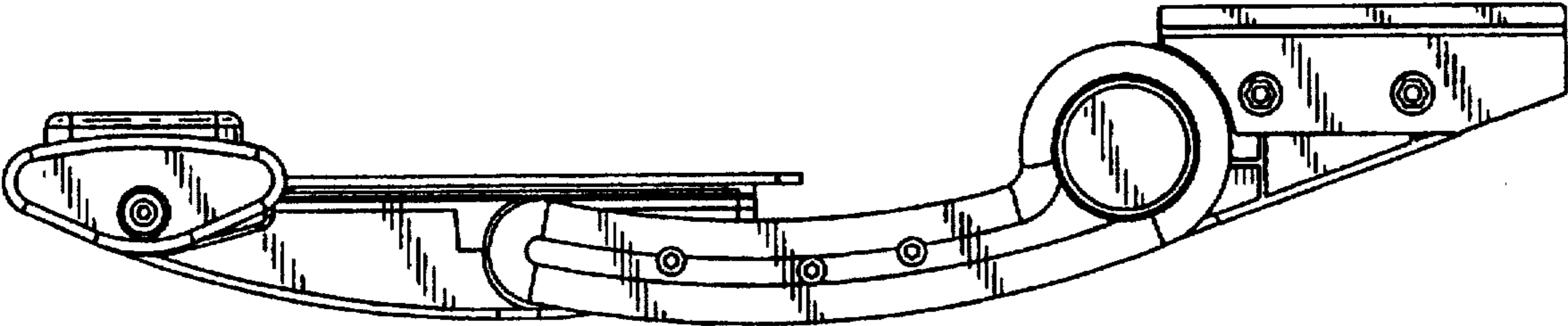


Fig. 6

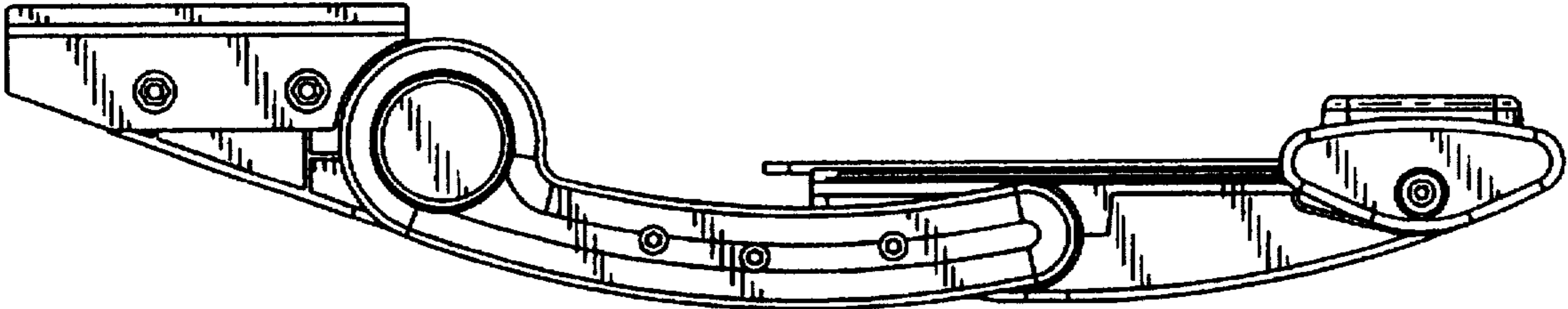


Fig. 7