



US00D396707S

United States Patent [19]

Ashida

[11] Patent Number: **Des. 396,707**

[45] Date of Patent: ****Aug. 4, 1998**

[54] **CARTRIDGE WITH BUILT-IN MAGNETIC DISK**

[75] Inventor: **Kenichiro Ashida, Kyoto, Japan**

[73] Assignee: **Nintendo Co., Ltd., Japan**

[**] Term: **14 Years**

[21] Appl. No.: **62,949**

[22] Filed: **Oct. 11, 1996**

[30] **Foreign Application Priority Data**

Apr. 12, 1996 [JP] Japan 8-10660

[51] LOC (6) Cl. **14-02**

[52] U.S. Cl. **D14/114**

[58] Field of Search D14/114; 360/60,
360/132, 133, 135, 97.01-99.12; 206/312

[56] **References Cited**

U.S. PATENT DOCUMENTS

D. 307,893	5/1990	Kato et al.	D14/114
D. 347,215	5/1994	Ikenaga	D14/114
5,091,901	2/1992	Yamamoto et al.	369/291
5,627,707	5/1997	Akiyama et al.	360/133

Primary Examiner—Kay H Chin
Attorney, Agent, or Firm—Nixon & Vanderhye P.C.

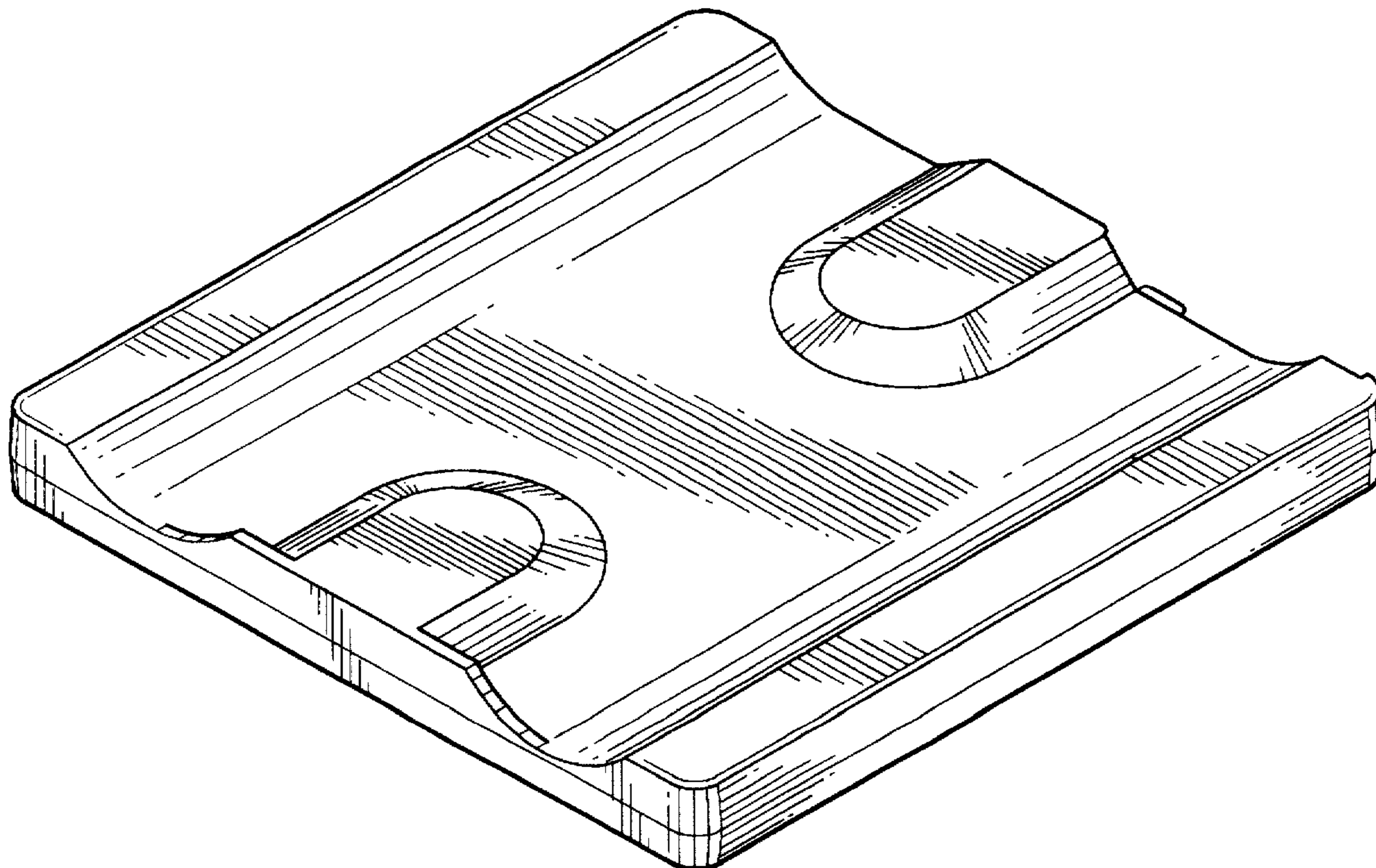
[57] **CLAIM**

The ornamental design for a cartridge with built-in magnetic disk, as shown and described.

DESCRIPTION

FIG. 1 is a top plan view of a cartridge with built-in magnetic disk showing a first embodiment of my new design;
 FIG. 2 is a front elevational view thereof;
 FIG. 3 is a bottom plan view thereof;
 FIG. 4 is a rear elevational view thereof;
 FIG. 5 is a right side view thereof;
 FIG. 6 is a bottom, front, and right side perspective view thereof;
 FIG. 7 is a top, rear, and left side perspective view thereof;
 FIG. 8 is a top plan view of a cartridge with built-in magnetic disk showing a second embodiment;
 FIG. 9 is a front elevational view thereof;
 FIG. 10 is a bottom plan view thereof;
 FIG. 11 is a rear elevational view thereof;
 FIG. 12 is a right side view thereof;
 FIG. 13 is a bottom, front, and right side perspective view thereof;
 FIG. 14 is a top, rear, and left side perspective view thereof;
 FIG. 15 is a top plan view of a cartridge with built-in magnetic disk showing a third embodiment;
 FIG. 16 is a front elevational view thereof;
 FIG. 17 is a bottom plan view thereof;
 FIG. 18 is a rear elevational view thereof;
 FIG. 19 is a right side elevational view thereof;
 FIG. 20 is a bottom, front, and right side perspective view thereof; and,
 FIG. 21 is a top, rear, and left side perspective view thereof.

1 Claim, 12 Drawing Sheets



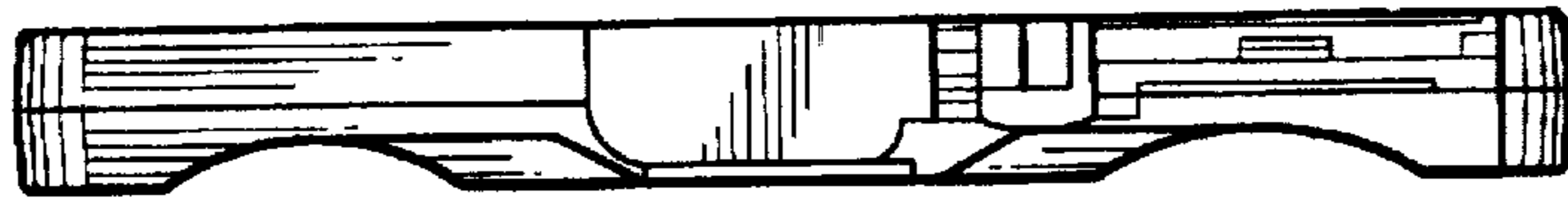


FIG. 1

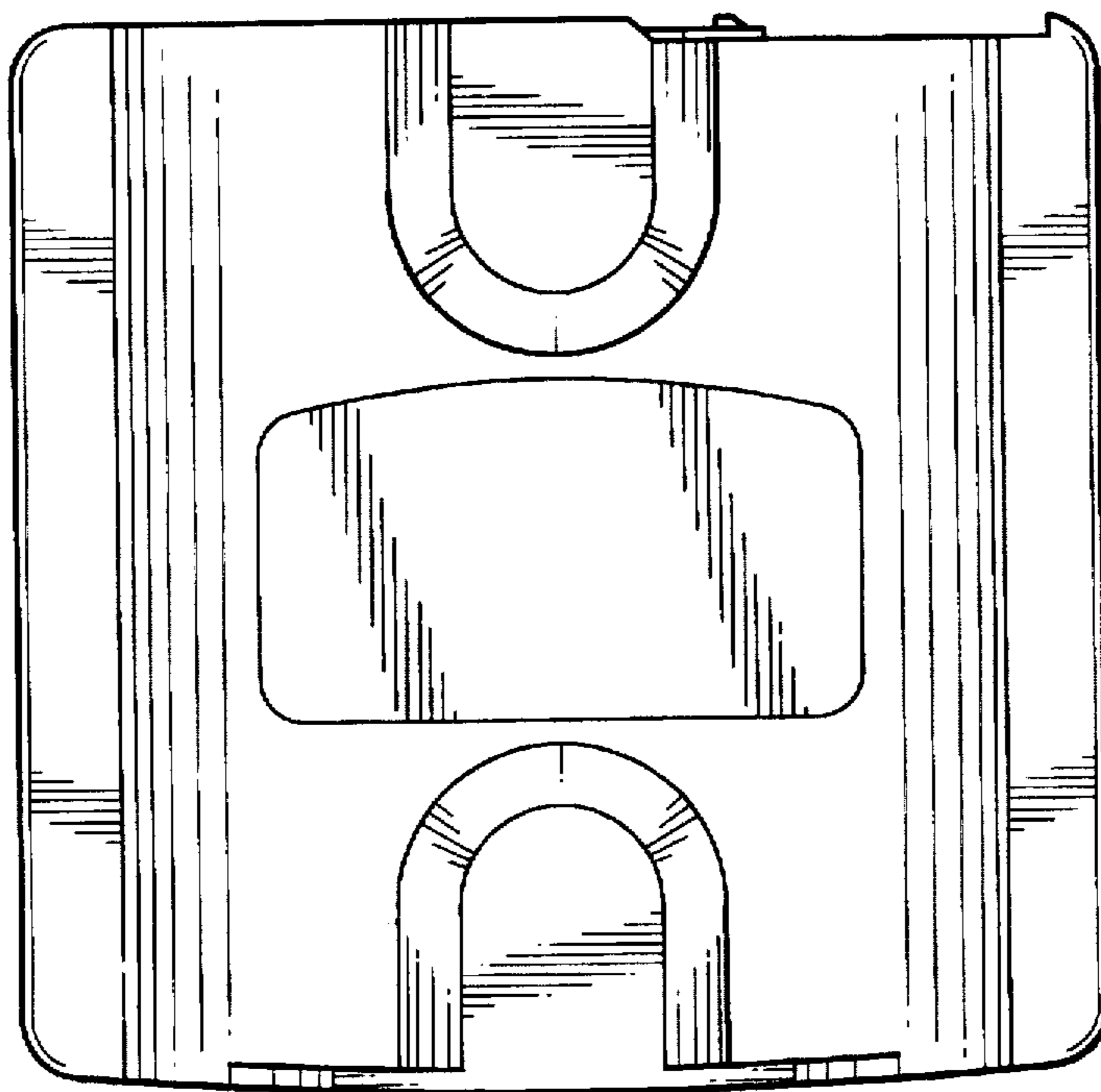


FIG. 2

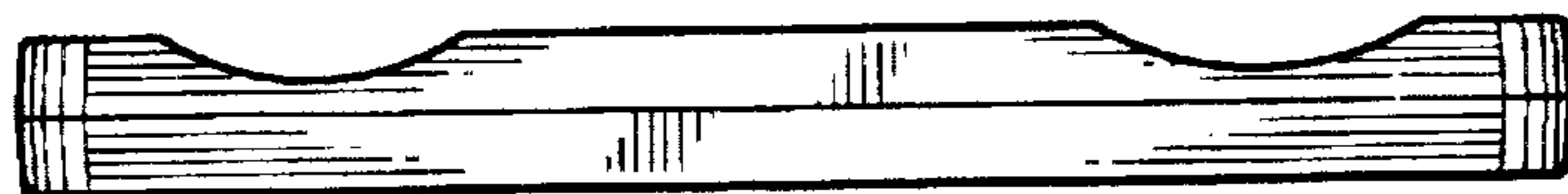


FIG. 3

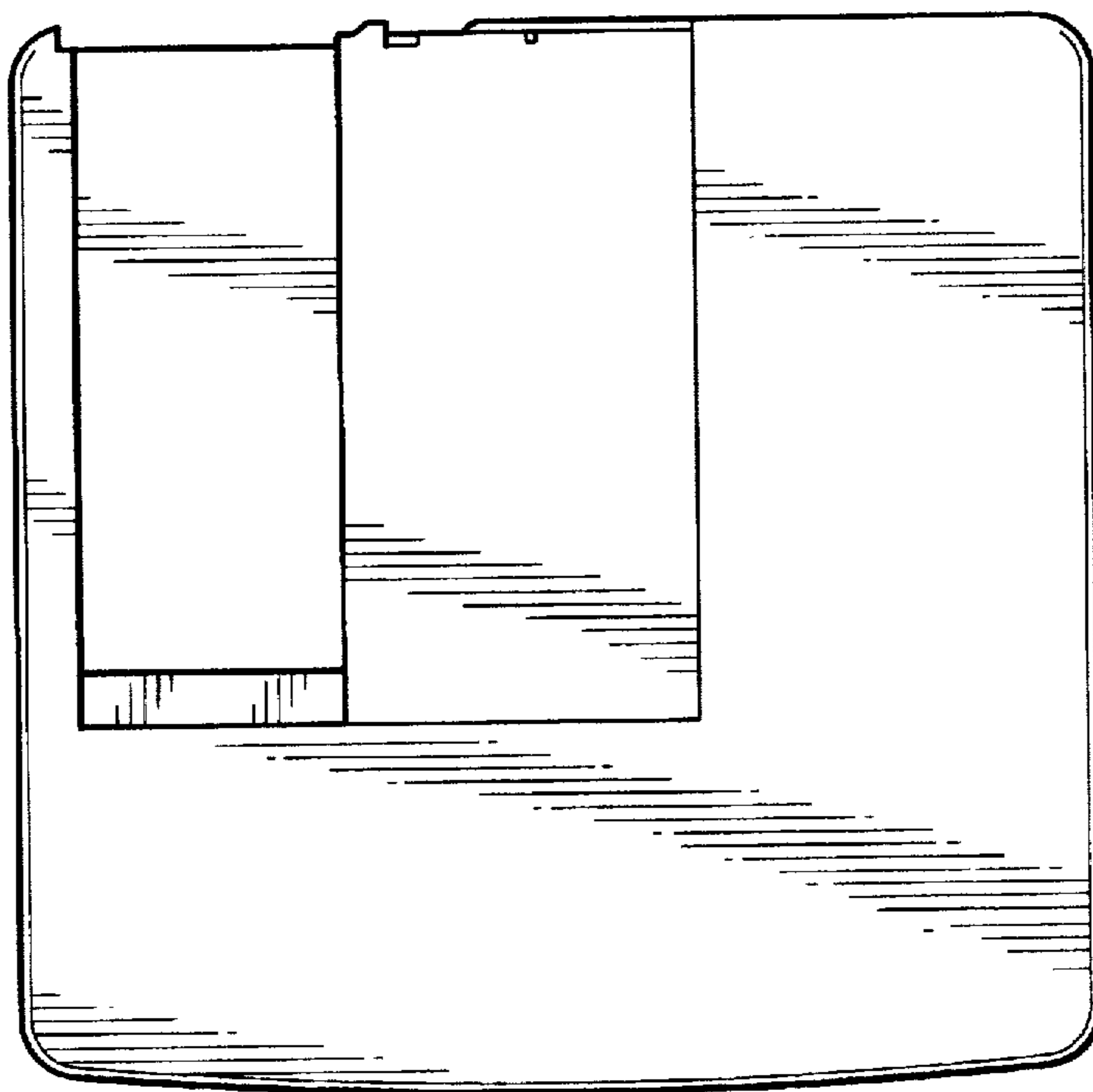


FIG. 4



FIG. 5

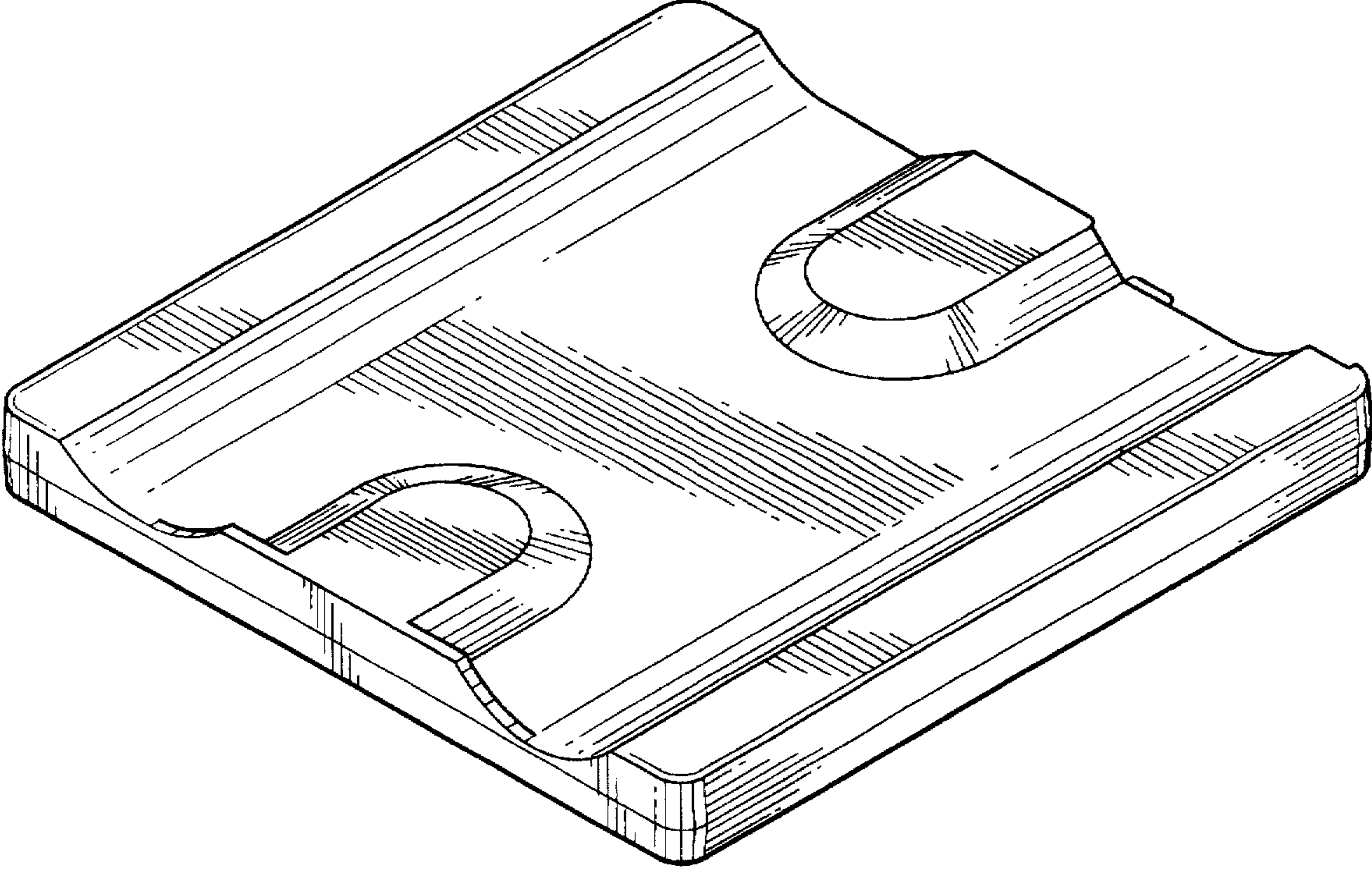


FIG. 6

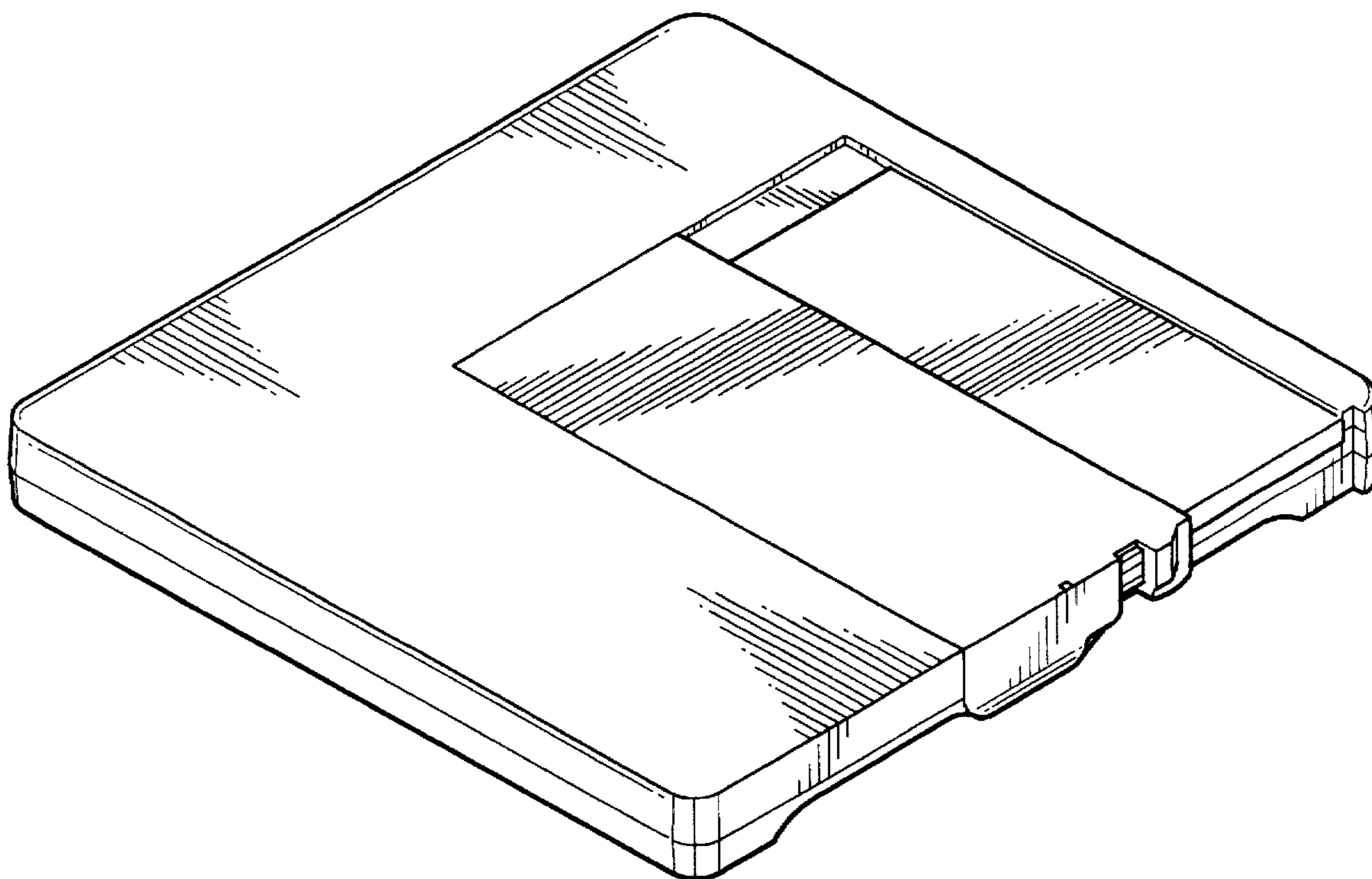


FIG. 7

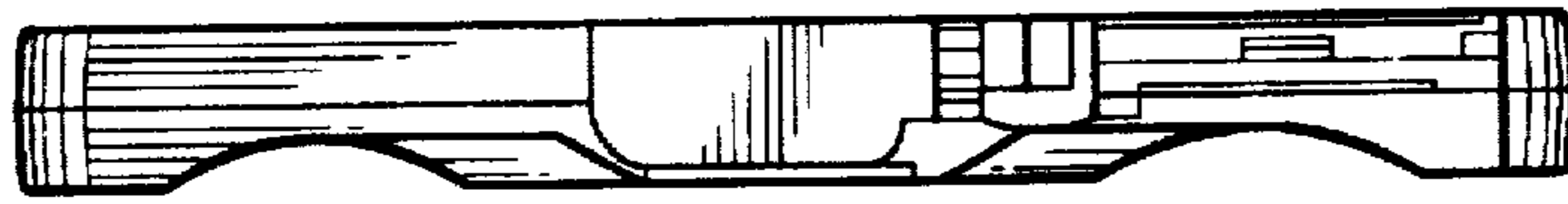


FIG. 8

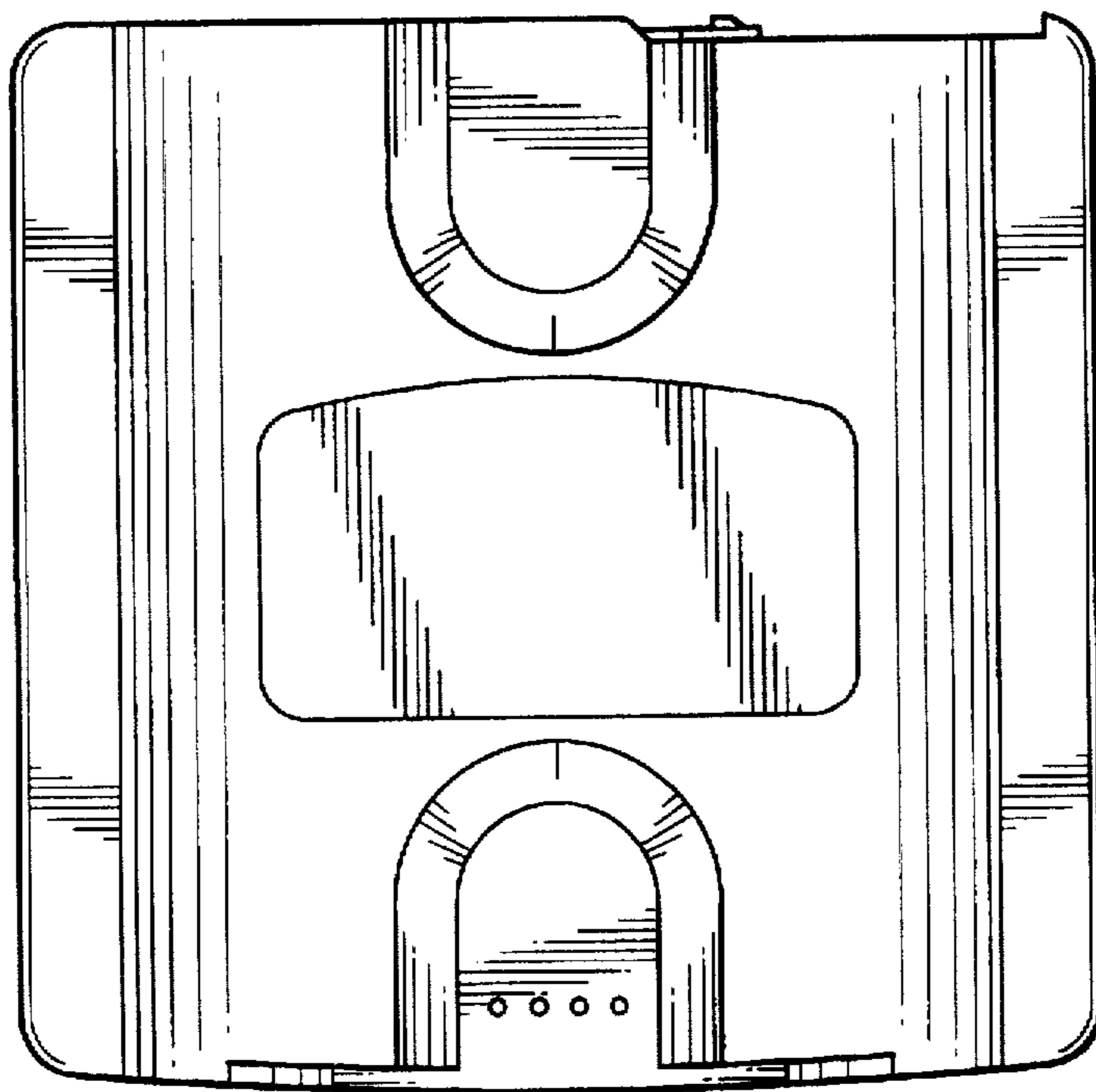


FIG. 9

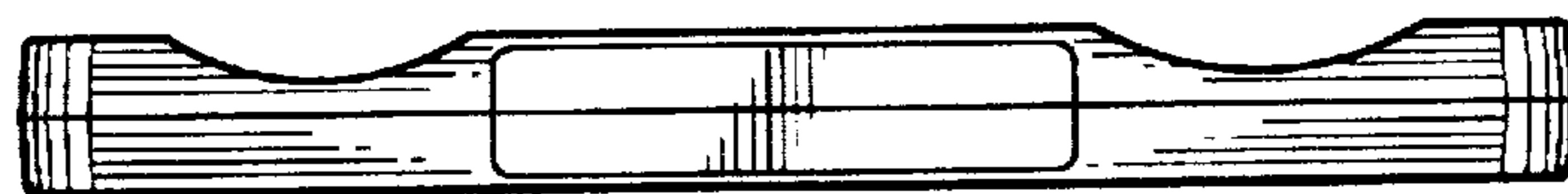


FIG. 10

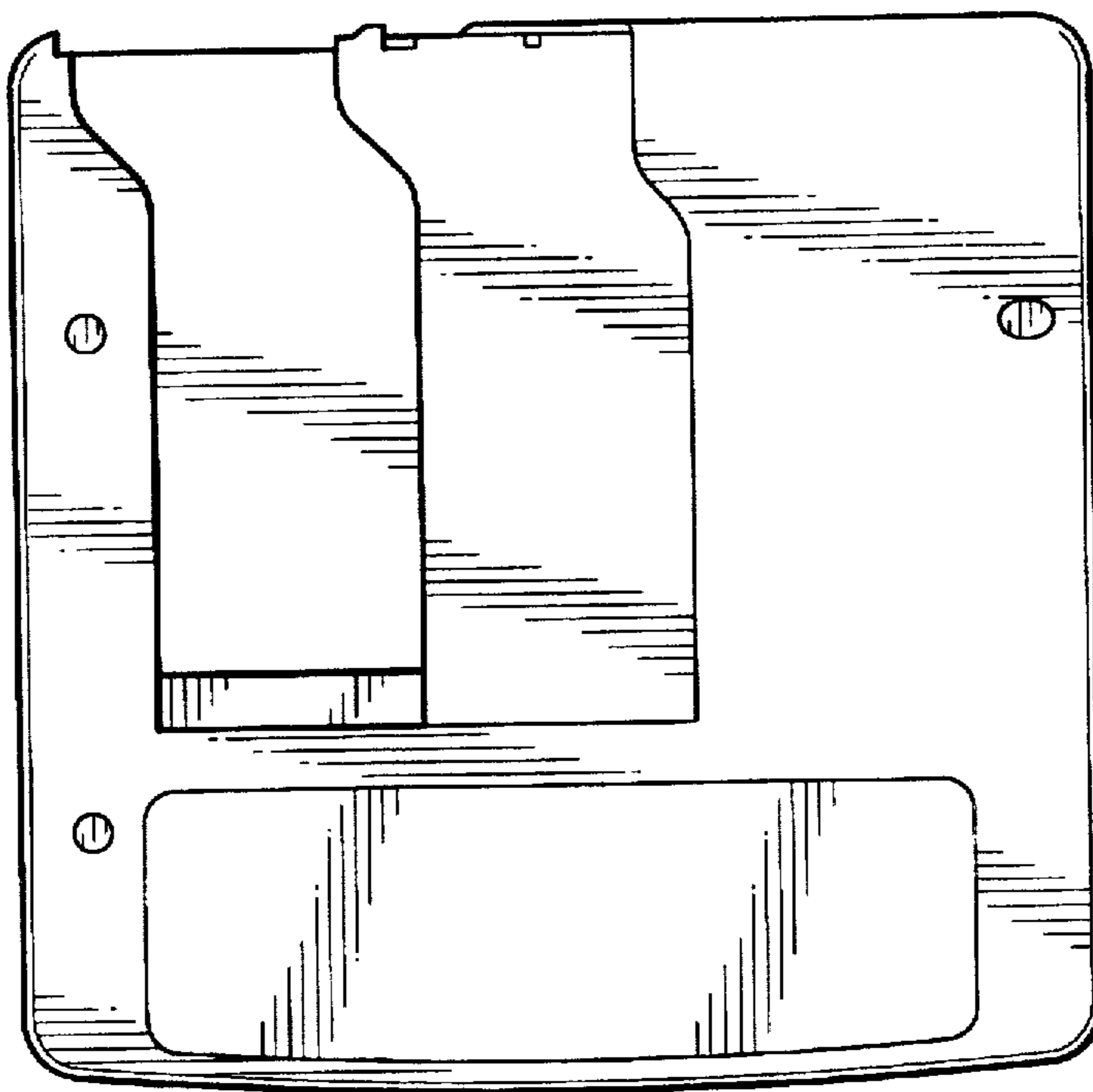


FIG. 11



FIG. 12

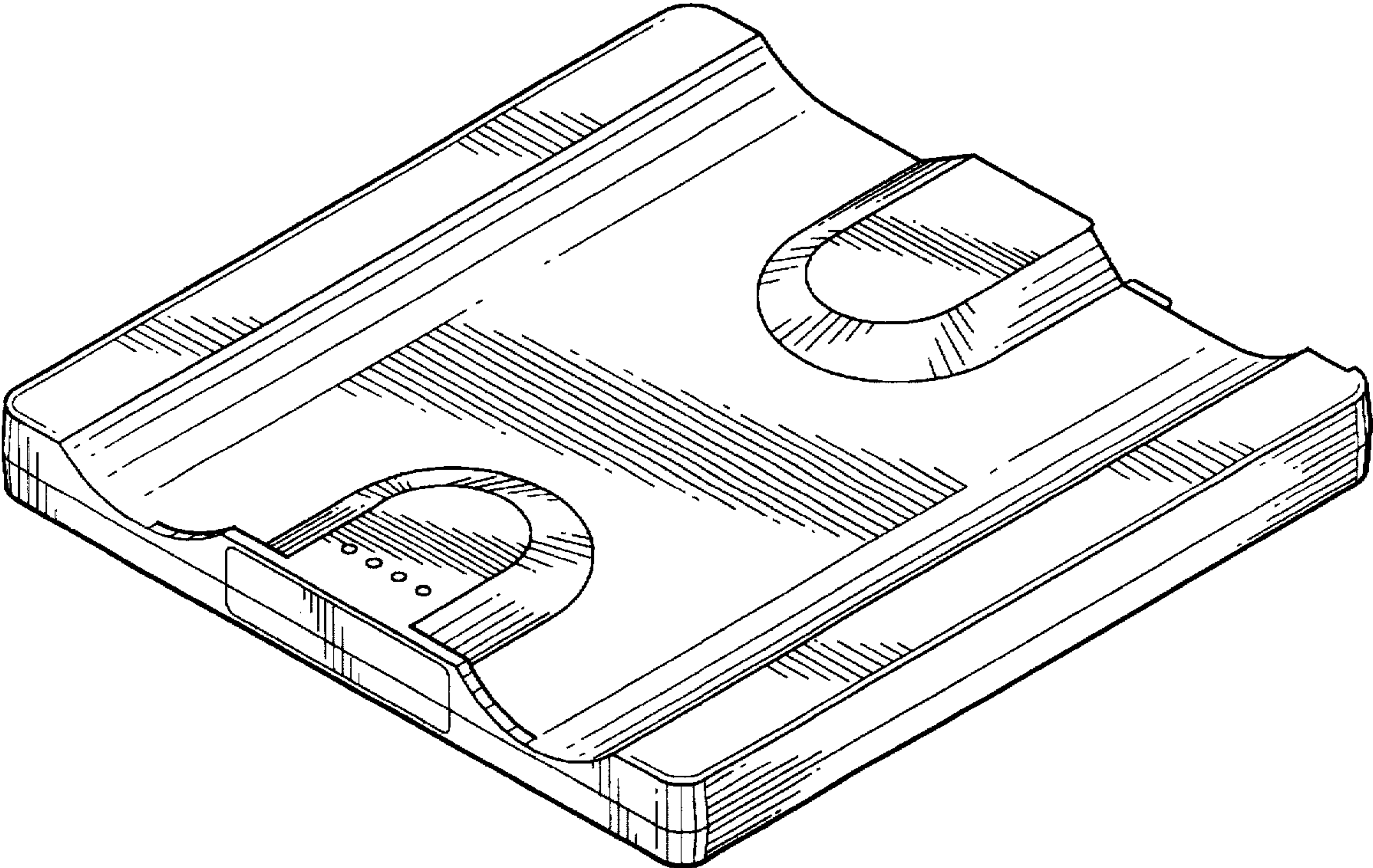


FIG. 13

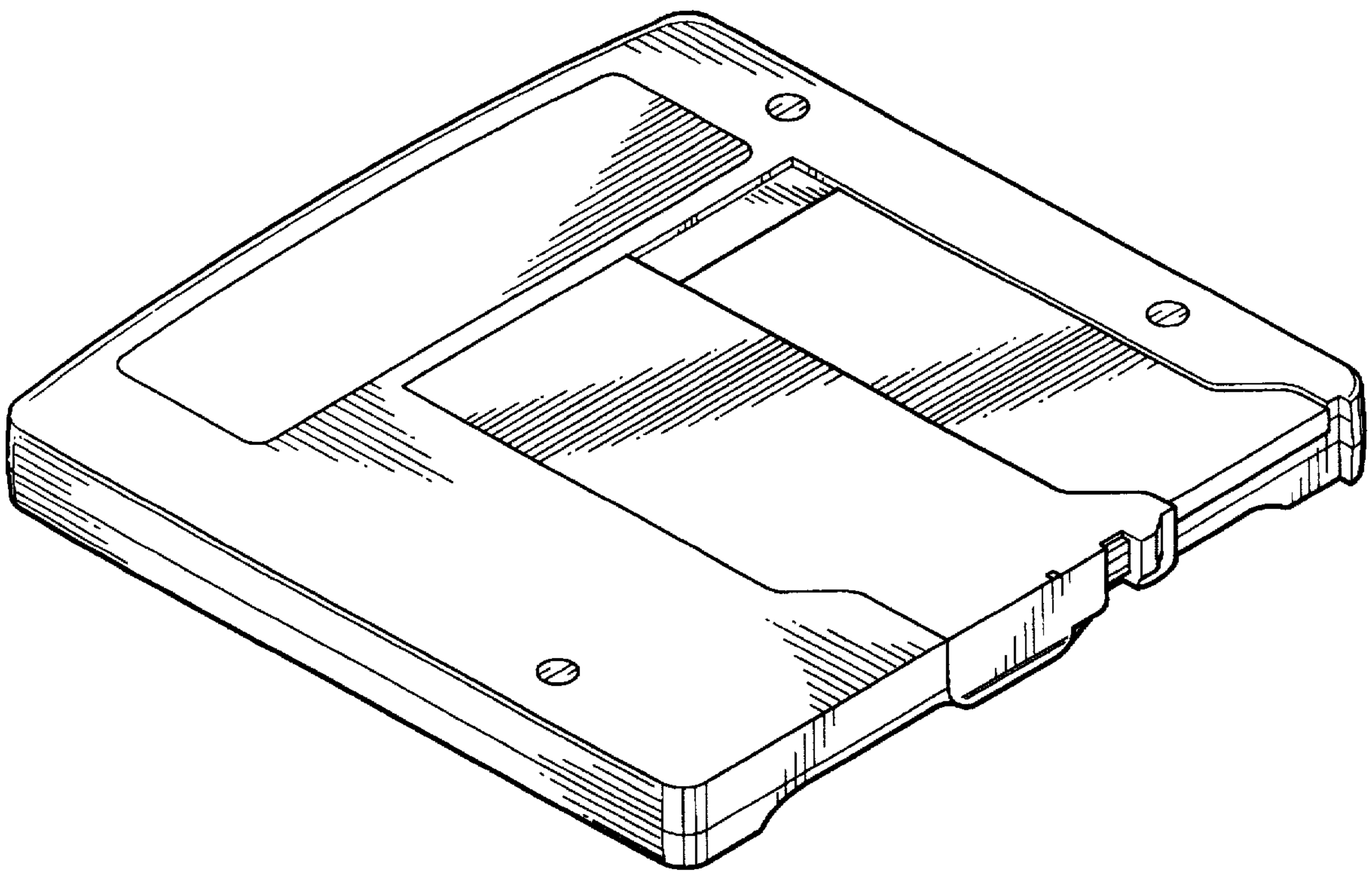


FIG. 14

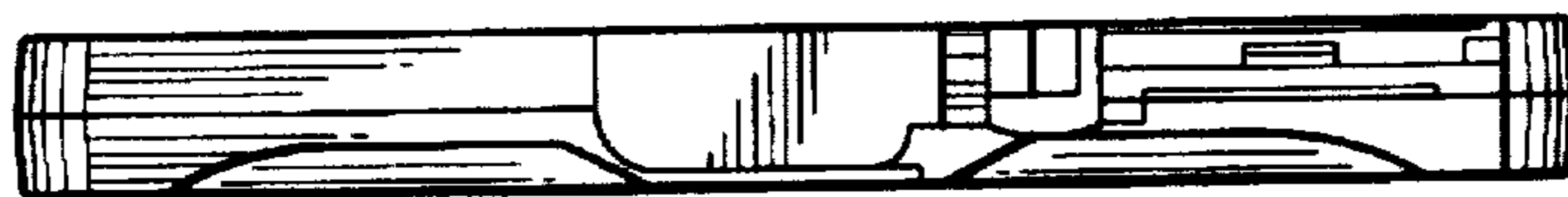


FIG. 15

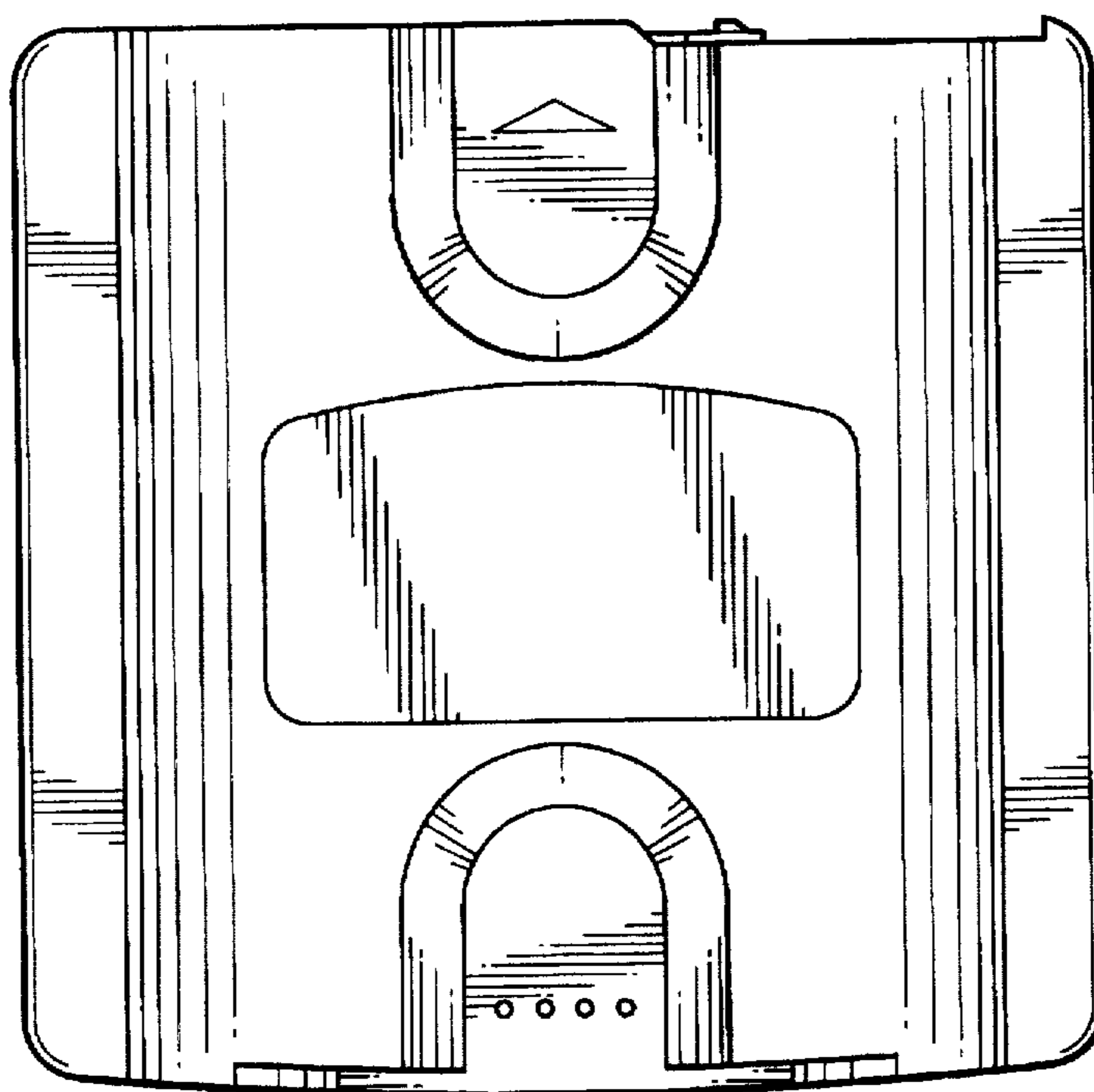


FIG. 16



FIG. 17

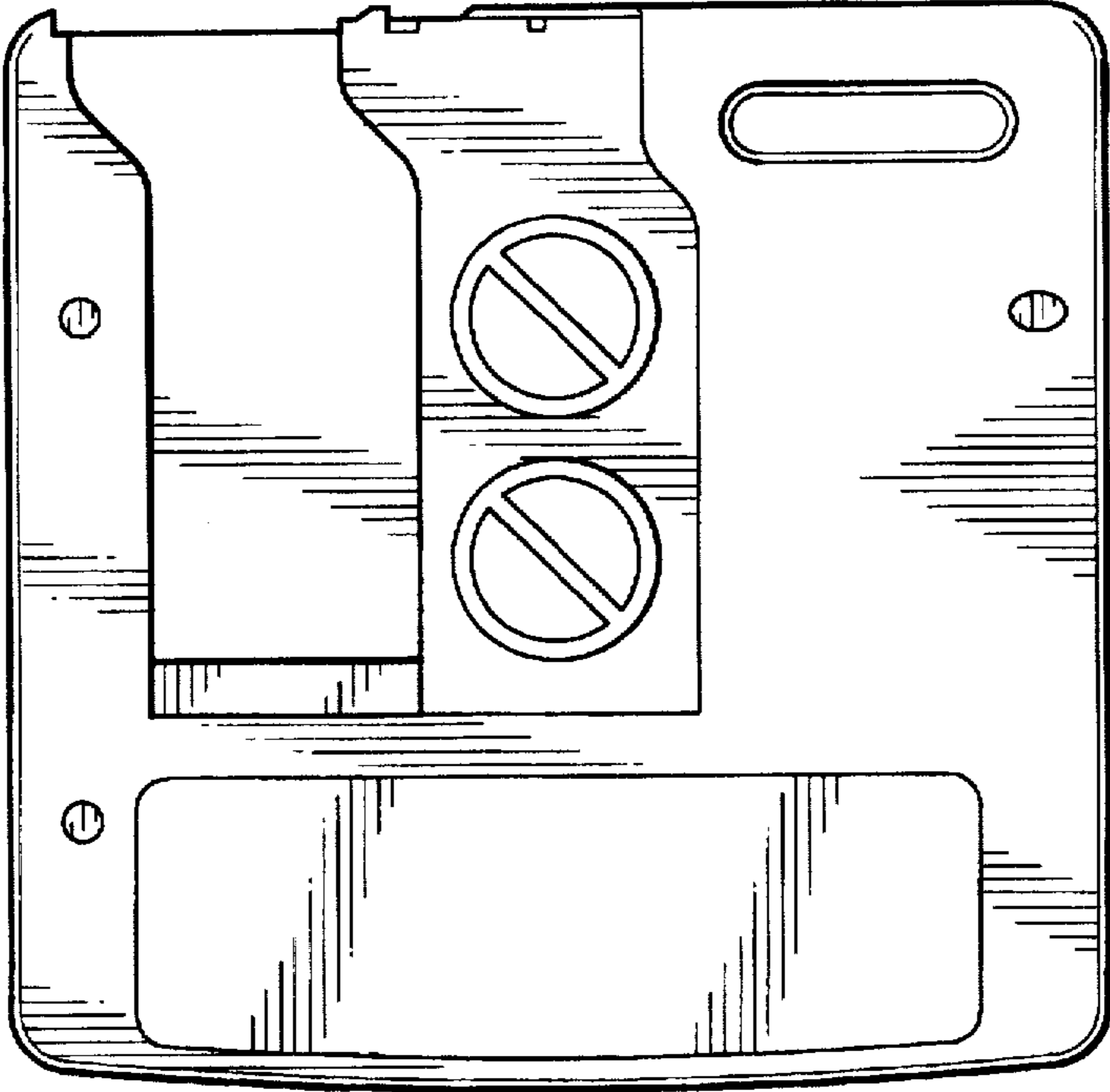


FIG. 18



FIG. 19

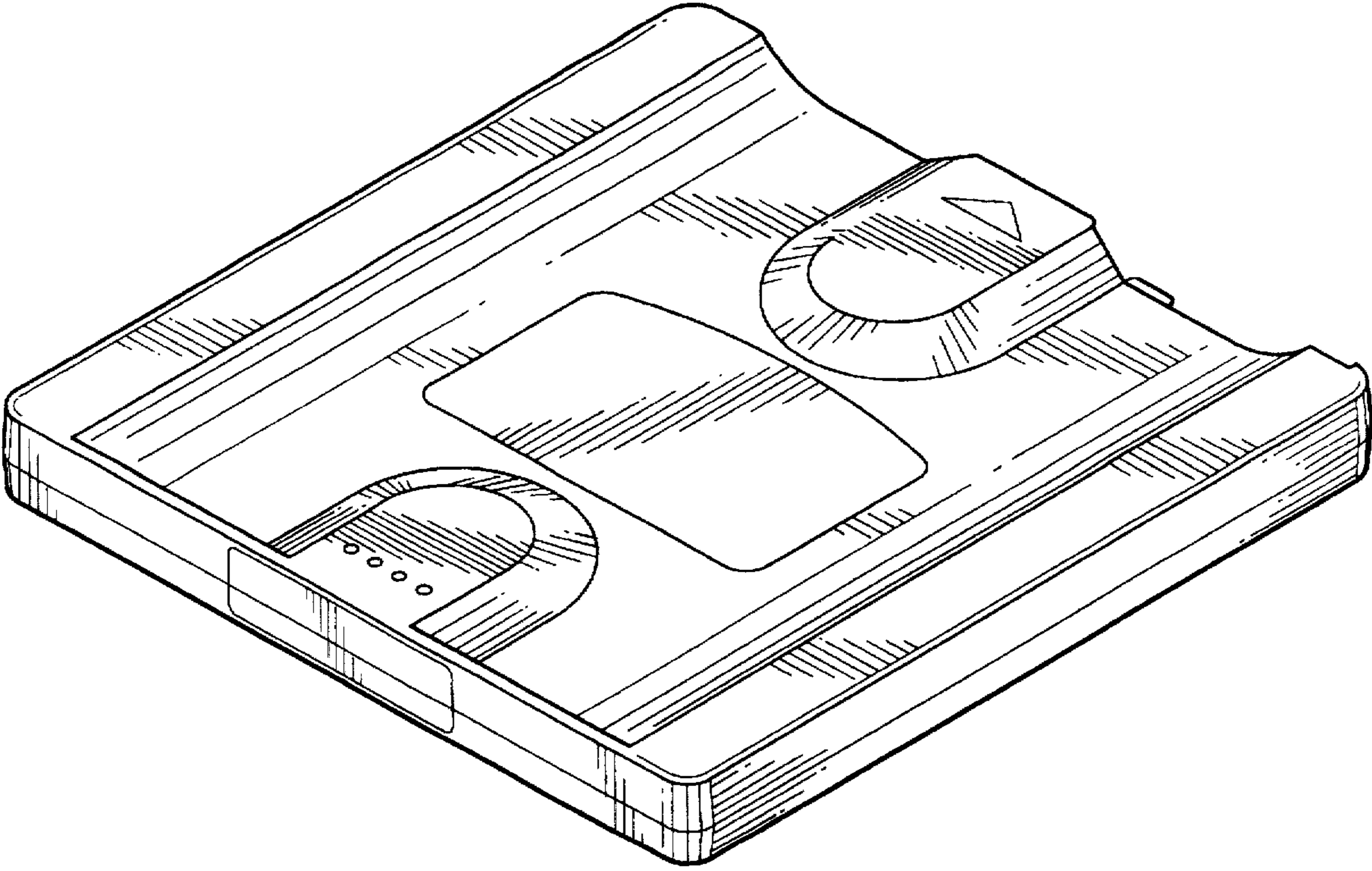


FIG. 20

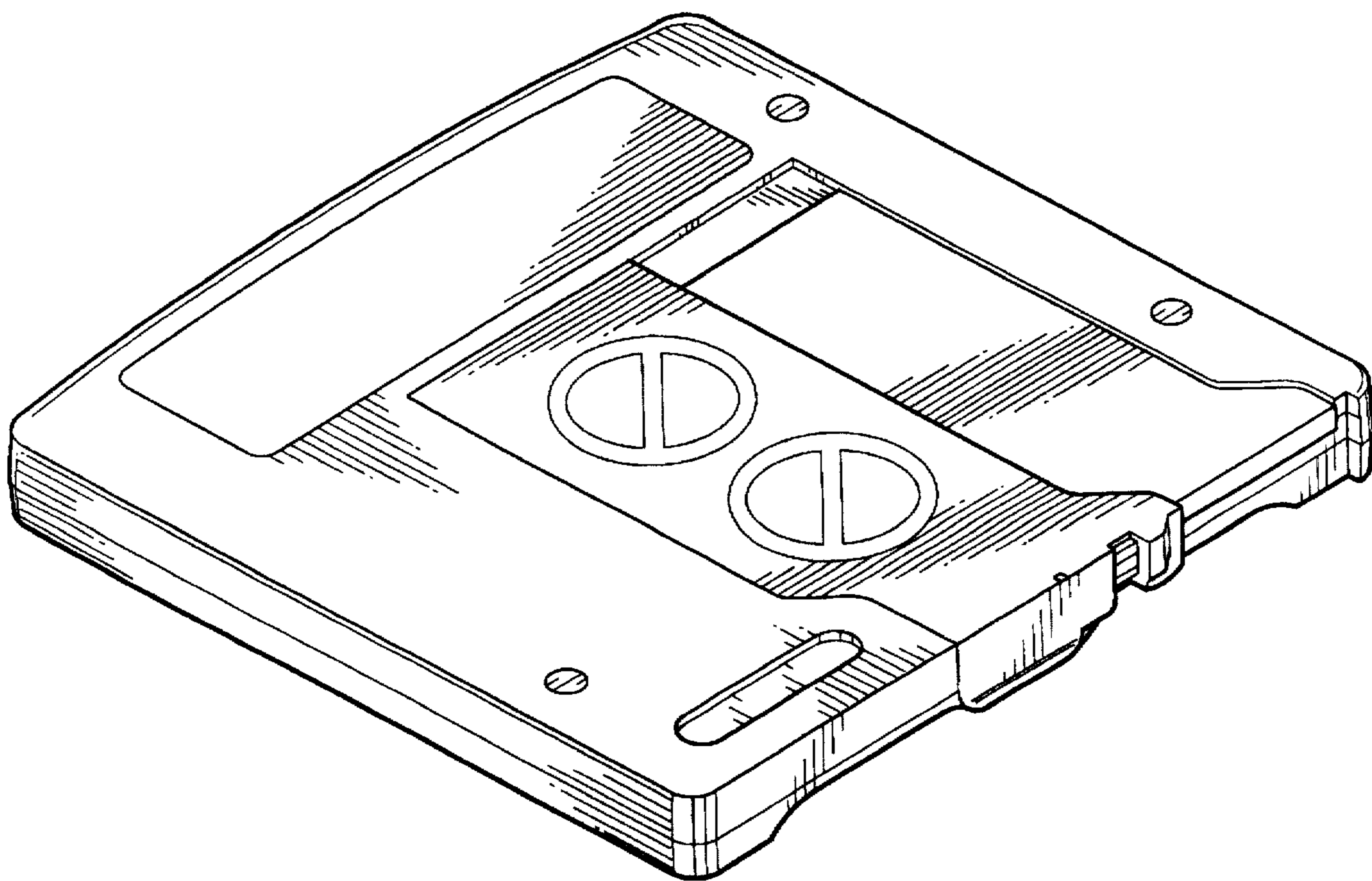


FIG. 21