

US00D396705S

# United States Patent [19]

[11] Patent Number: **Des. 396,705**

Iino

[45] Date of Patent: **\*\*Aug. 4, 1998**

[54] **UNIT FOR EXTENSION OF FUNCTION OF ELECTRONIC COMPUTERS**

[75] Inventor: **Masaaki Iino**, Saitama-ken, Japan

[73] Assignee: **Kabushiki Kaisha Toshiba**, Kawasaki, Japan

[\*\*] Term: **14 Years**

708621 4/1987 Japan .  
 740409 5/1988 Japan .  
 791802 4/1990 Japan .  
 791816 4/1990 Japan .  
 844726 8/1992 Japan .  
 908192 10/1994 Japan .  
 127189 1/1990 Taiwan .  
 134452 5/1990 Taiwan .

[21] Appl. No.: **75,720**

[22] Filed: **Jul. 28, 1997**

### Related U.S. Application Data

[63] Continuation of Ser. No. 68,225, Mar. 21, 1997, abandoned.

### Foreign Application Priority Data

Sep. 27, 1996 [JP] Japan ..... 8-28627

[51] LOC (6) CL ..... **14-02**

[52] U.S. Cl. .... **D14/107**

[58] Field of Search ..... D14/100, 107,  
 D14/114; D13/184, 199; 361/683-686;  
 364/708.1; 439/95, 248

### References Cited

#### U.S. PATENT DOCUMENTS

D. 288,447 2/1987 Otsuka ..... D14/107  
 D. 292,405 10/1987 Kitani et al. .... D14/111  
 D. 302,812 8/1989 Hiroki ..... D14/107  
 D. 318,466 7/1991 Grundstrom et al. .... D14/114  
 D. 332,091 12/1992 Iino ..... D14/107  
 D. 342,487 12/1993 Iino ..... D14/107  
 D. 366,469 1/1996 Youens ..... D14/107  
 5,126,954 6/1992 Morita ..... D14/107 X  
 5,182,698 1/1993 Kobayashi et al. .... 361/395  
 5,283,714 2/1994 Tsai et al. .... 361/683  
 5,535,093 7/1996 Noguchi et al. .... D14/107 X

#### FOREIGN PATENT DOCUMENTS

M 94 04 957 6/1994 Germany .

### OTHER PUBLICATIONS

Catalog, Macintosh Duo MiniDock), Apple Computer, Mar. 26, 1993.  
 Catalog, (FMC-601), Fujitsu, Oct. 24, 1991.  
 Nippon—Artecon SB 3000 XD Dec. 7, 1994.  
 Catalog, (Main Docking Station), Swan Technologies Corporation, May 10, 1996.  
 Magazine, Duo Mini Dock, Apple Computer 1993.  
 Sony, Catalog Sep. 1991.

*Primary Examiner*—Freda Nunn  
*Attorney, Agent, or Firm*—Banner & Witcoff, Ltd.

### [57] CLAIM

The ornamental design for a unit for extension of function of electronic computers, as shown and described.

### DESCRIPTION

FIG. 1 is a top, front and right side perspective view of a unit for extension of function of electronic computers showing my new design;  
 FIG. 2 is a front elevational view thereof;  
 FIG. 3 is a top plan view thereof;  
 FIG. 4 is a right side elevational view thereof;  
 FIG. 5 is a left side elevational view thereof;  
 FIG. 6 is a bottom plan view thereof;  
 FIG. 7 is a rear elevational view thereof; and,  
 FIG. 8 is a right side elevational view thereof showing the unit in the operative position wherein the laptop computer is shown in broken lines for illustrative purposes only and forms no part of the claimed design.

1 Claim, 3 Drawing Sheets

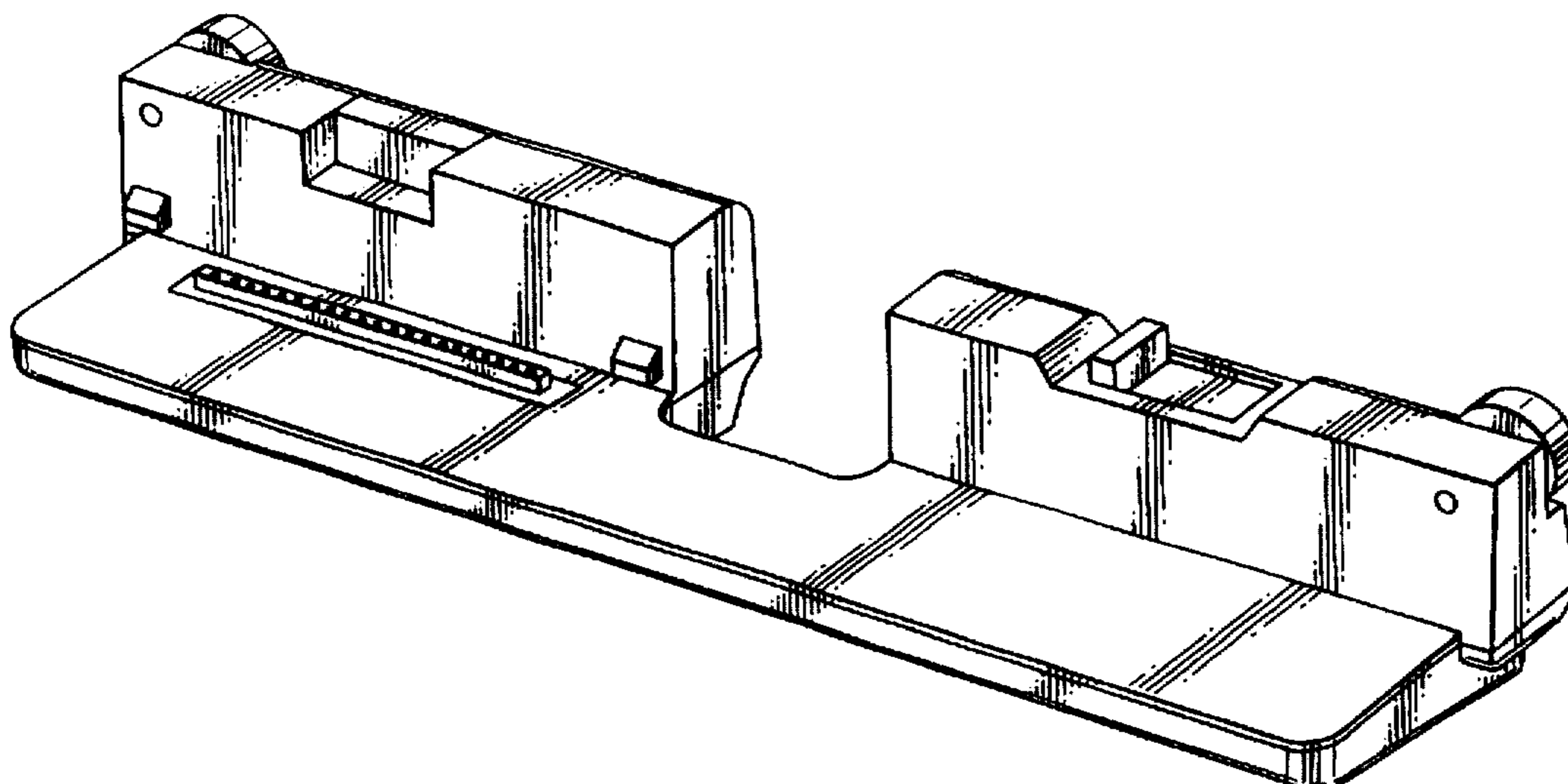


FIG. 1

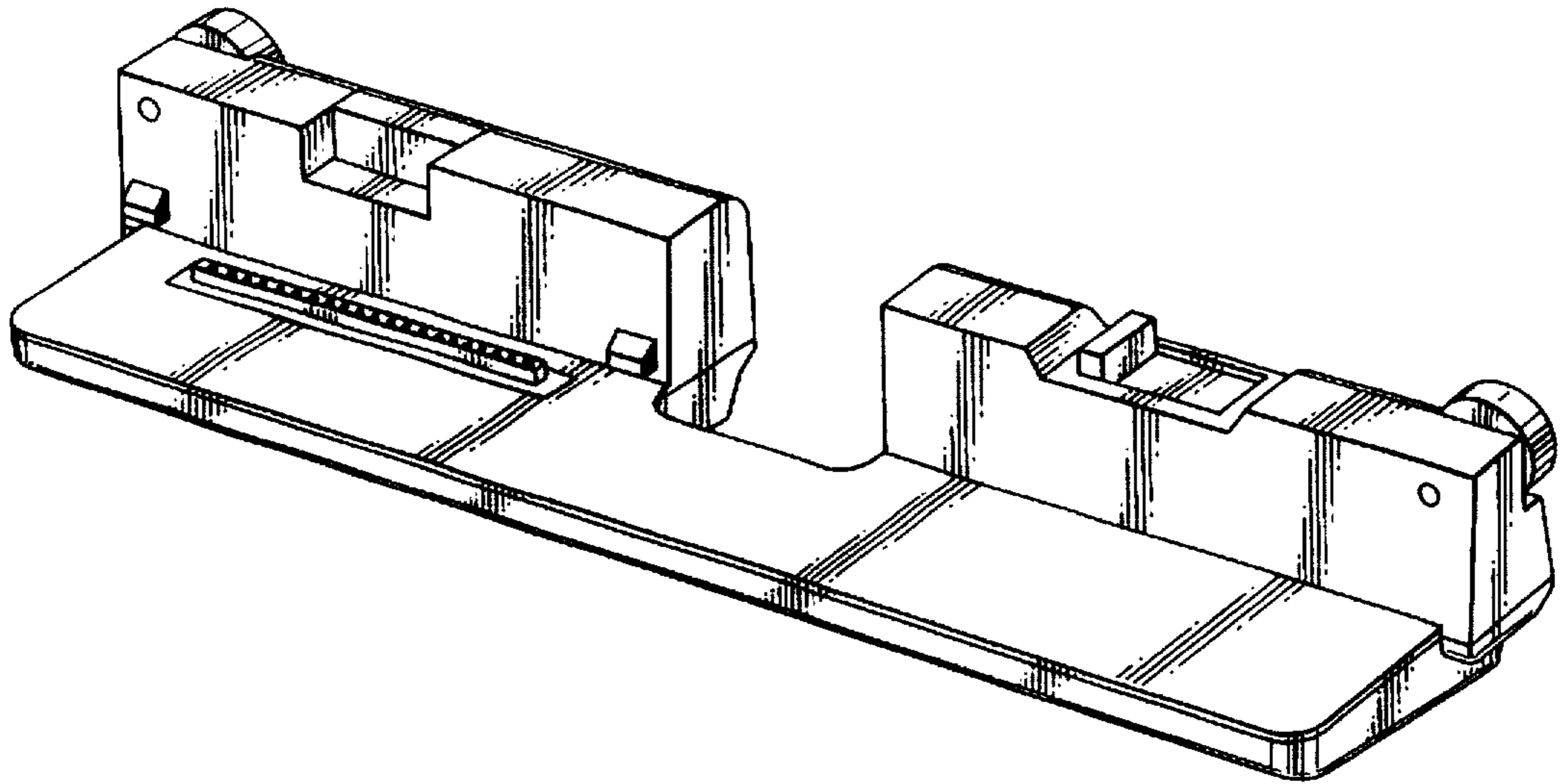


FIG. 2

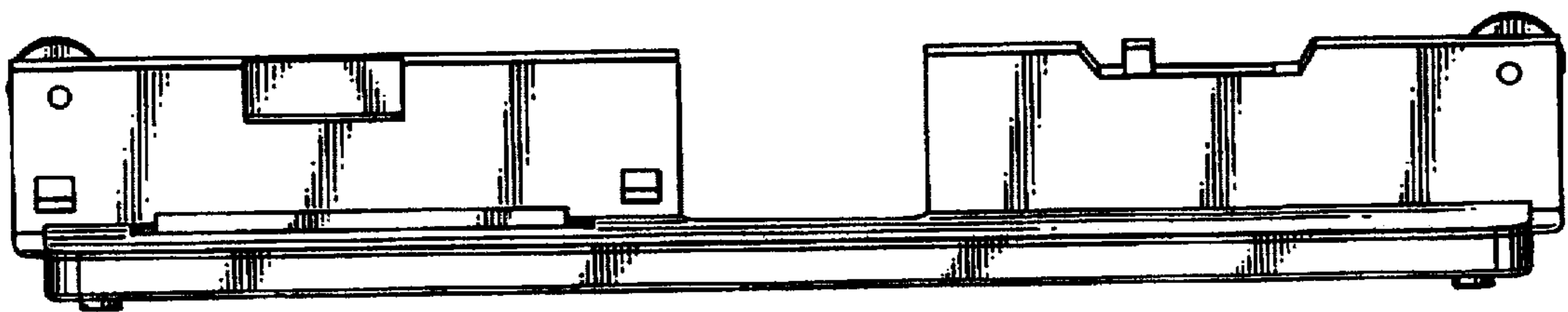


FIG. 3

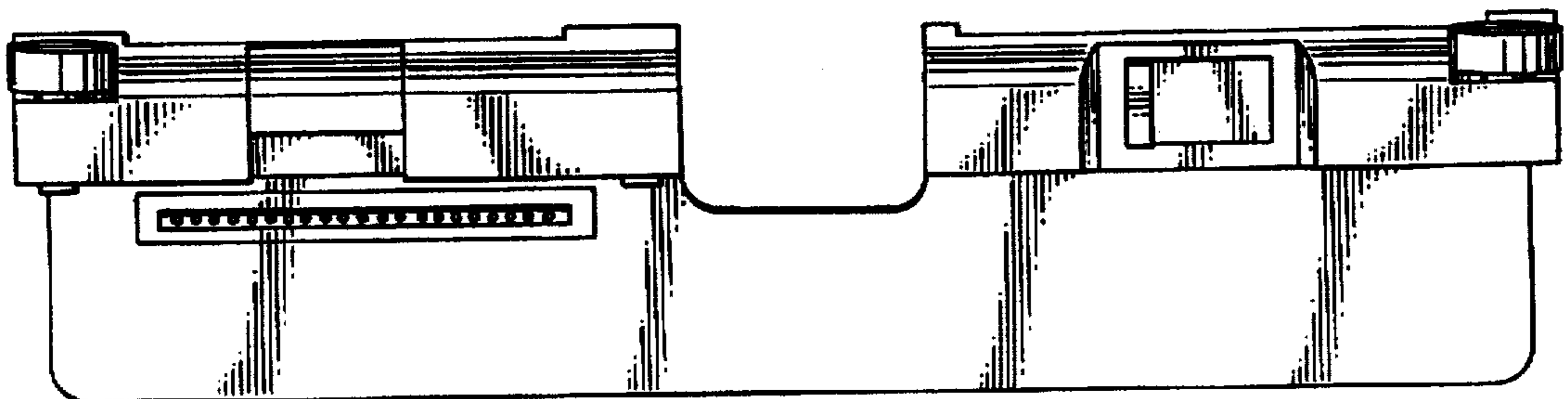


FIG. 4

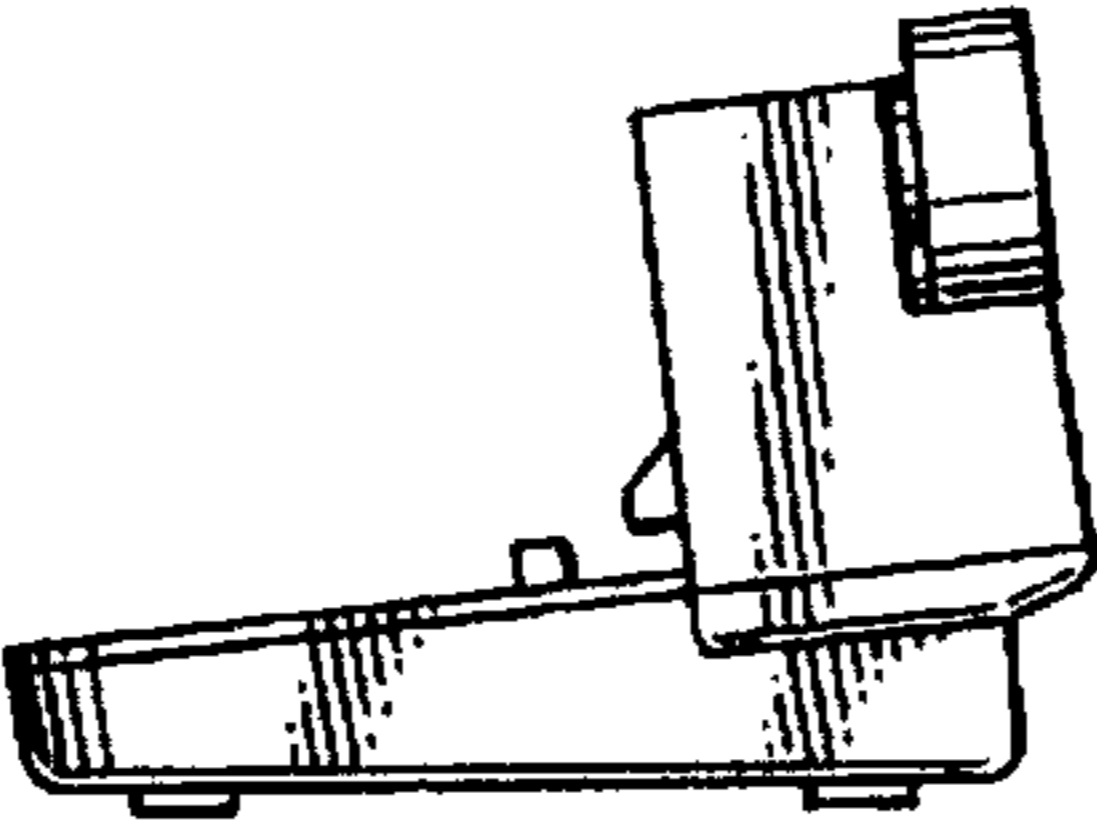


FIG. 5

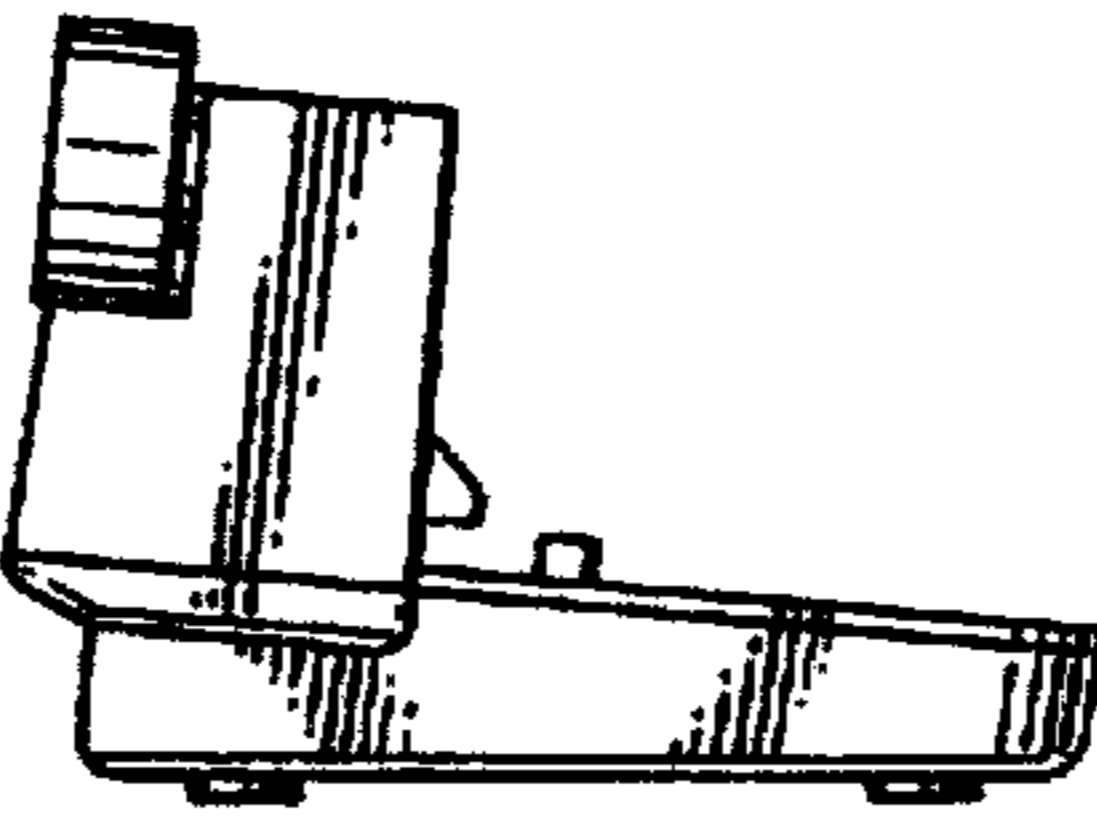


FIG. 6

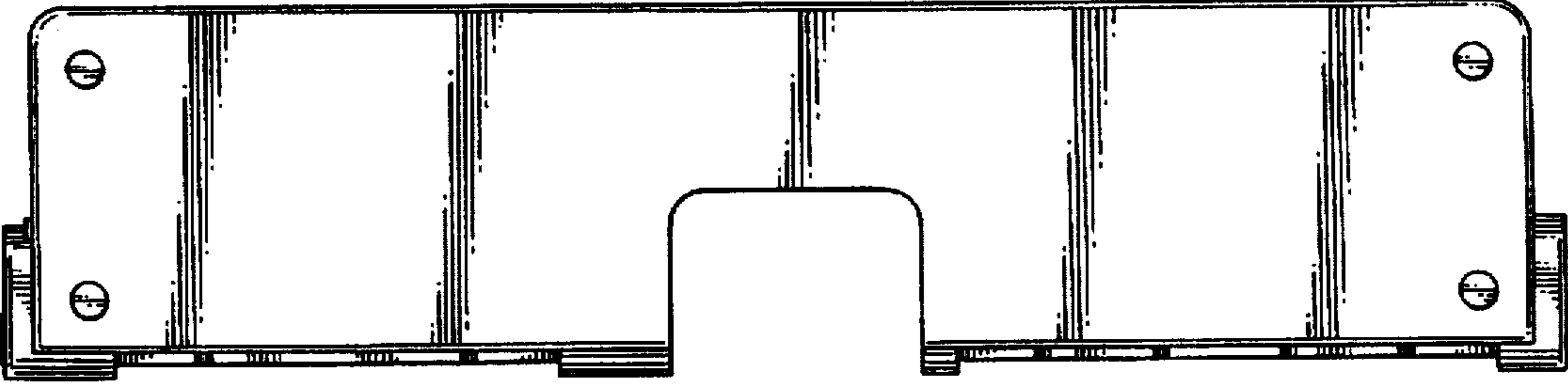


FIG. 7

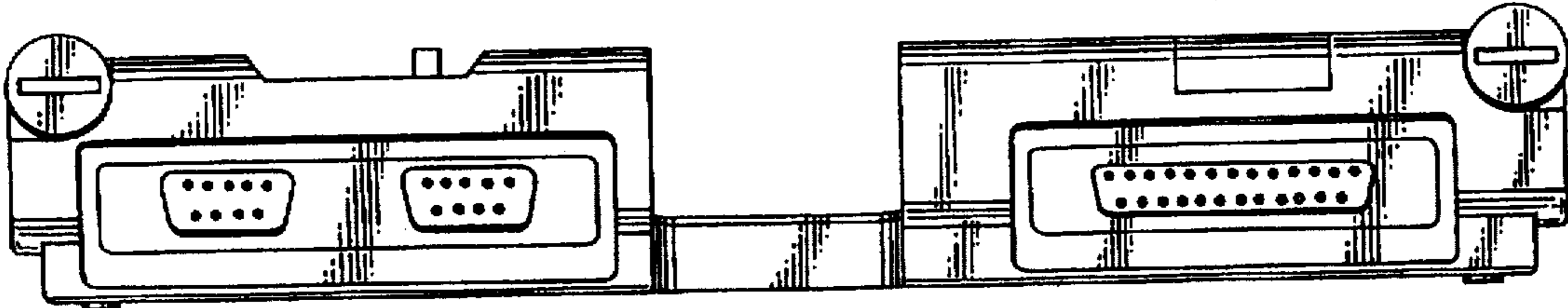


FIG. 8

