



US00D396701S

# United States Patent [19]

[11] Patent Number: **Des. 396,701**

Shima et al.

[45] Date of Patent: **\*\*Aug. 4, 1998**

[54] **NOTEBOOK COMPUTER**

*Attorney, Agent, or Firm*—Daniel E. McConnell; George E. Grosser

[75] Inventors: **Hisashi Shima, Yamato; Kazuhiko Yamazaki, Hiratsuka; Kazuo Nakada, Sagamihara, all of Japan**

## [57] CLAIM

The ornamental design for a notebook computer, as shown and described.

[73] Assignee: **International Business Machines Corp., Armonk, N.Y.**

## DESCRIPTION

[\*\*] Term: **14 Years**

FIG. 1 is a perspective view from above and the right of the notebook computer of our invention as opened for use;

[21] Appl. No.: **58,407**

FIG. 2 is a view similar to FIG. 1 of the notebook computer of our invention as closed when not in use;

[22] Filed: **Aug. 14, 1996**

FIG. 3 is a front elevation view of the notebook computer of FIG. 1;

[51] LOC (6) Cl. .... **14-02**

FIG. 4 is a plan view from above of the notebook computer of FIGS. 1 and 3;

[52] U.S. Cl. .... **D14/106**

FIG. 5 is a rear elevation view of the notebook computer of FIGS. 1, 3 and 4;

[58] Field of Search ..... D14/100, 101, D14/106, 113, 115; D18/1, 7; 235/145 A, 145 R; 345/104, 156, 168, 173, 161, 160, 163; 341/22, 23; 361/680, 686; 364/708.1

FIG. 6 is a plan view from below of the notebook computer of FIGS. 1, 3, 4 and 5;

## [56] References Cited

FIG. 7 is a side elevation view from the right of the notebook computer of FIGS. 1, 3, 4, 5 and 6; and,

### U.S. PATENT DOCUMENTS

FIG. 8 is a side elevation view from the left of the notebook computer of FIGS. 1, 3, 4, 5, 6 and 7.

- D. 361,322 8/1995 Yamazaki et al. .... D14/106
- D. 371,766 7/1996 Lucente, II et al. .... D14/106

*Primary Examiner*—Freda Nunn

**1 Claim, 8 Drawing Sheets**

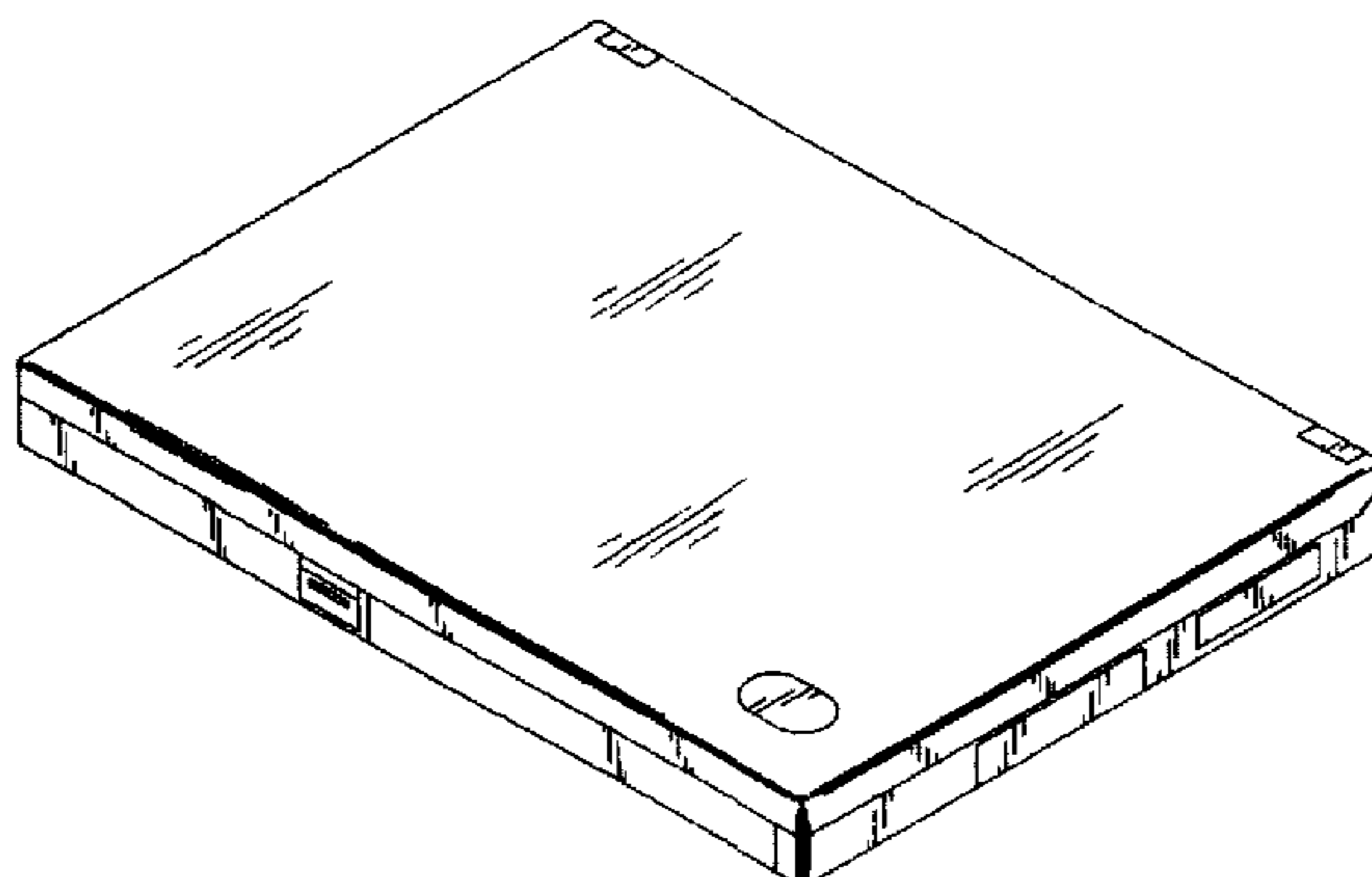
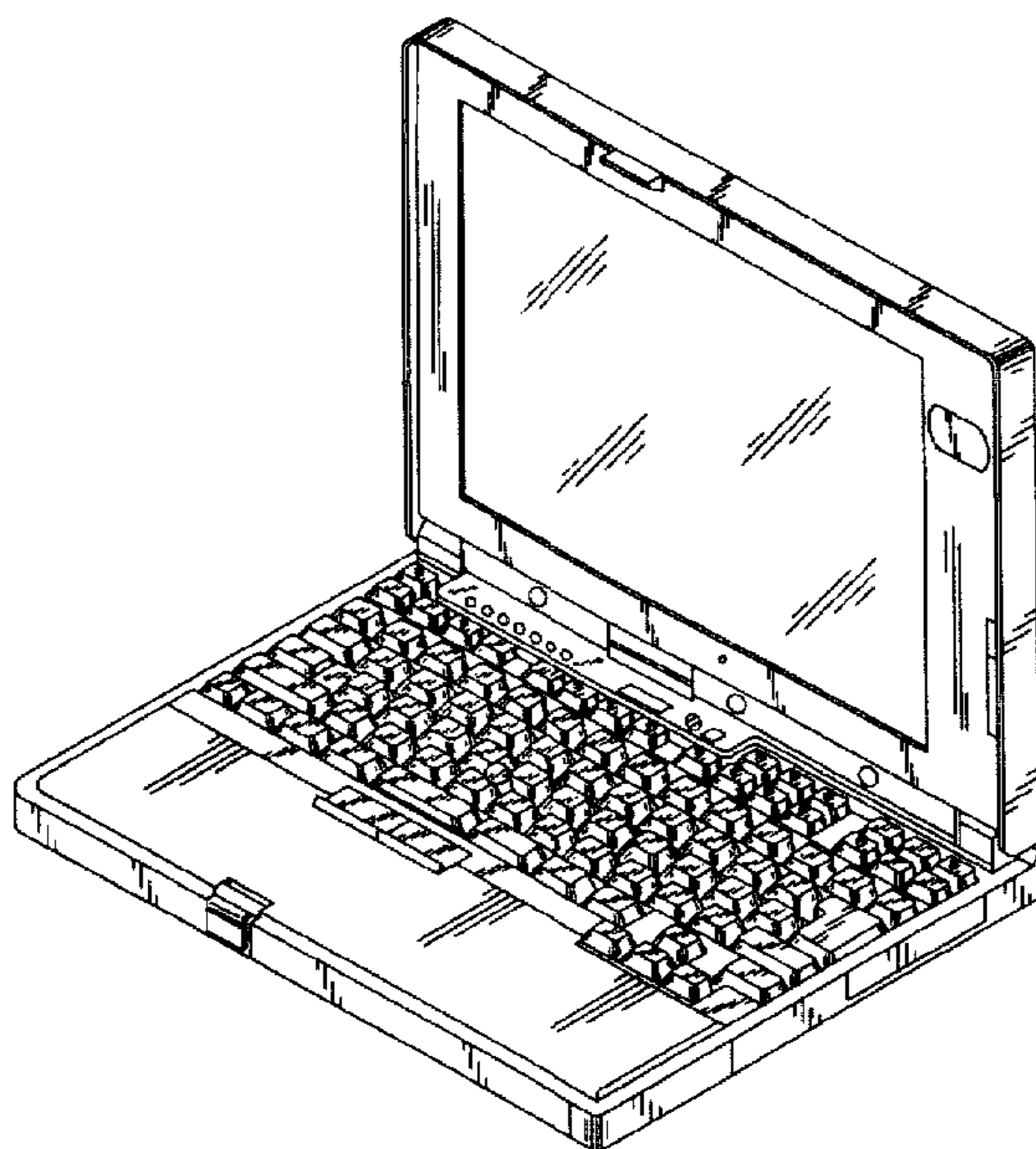


FIG. 1

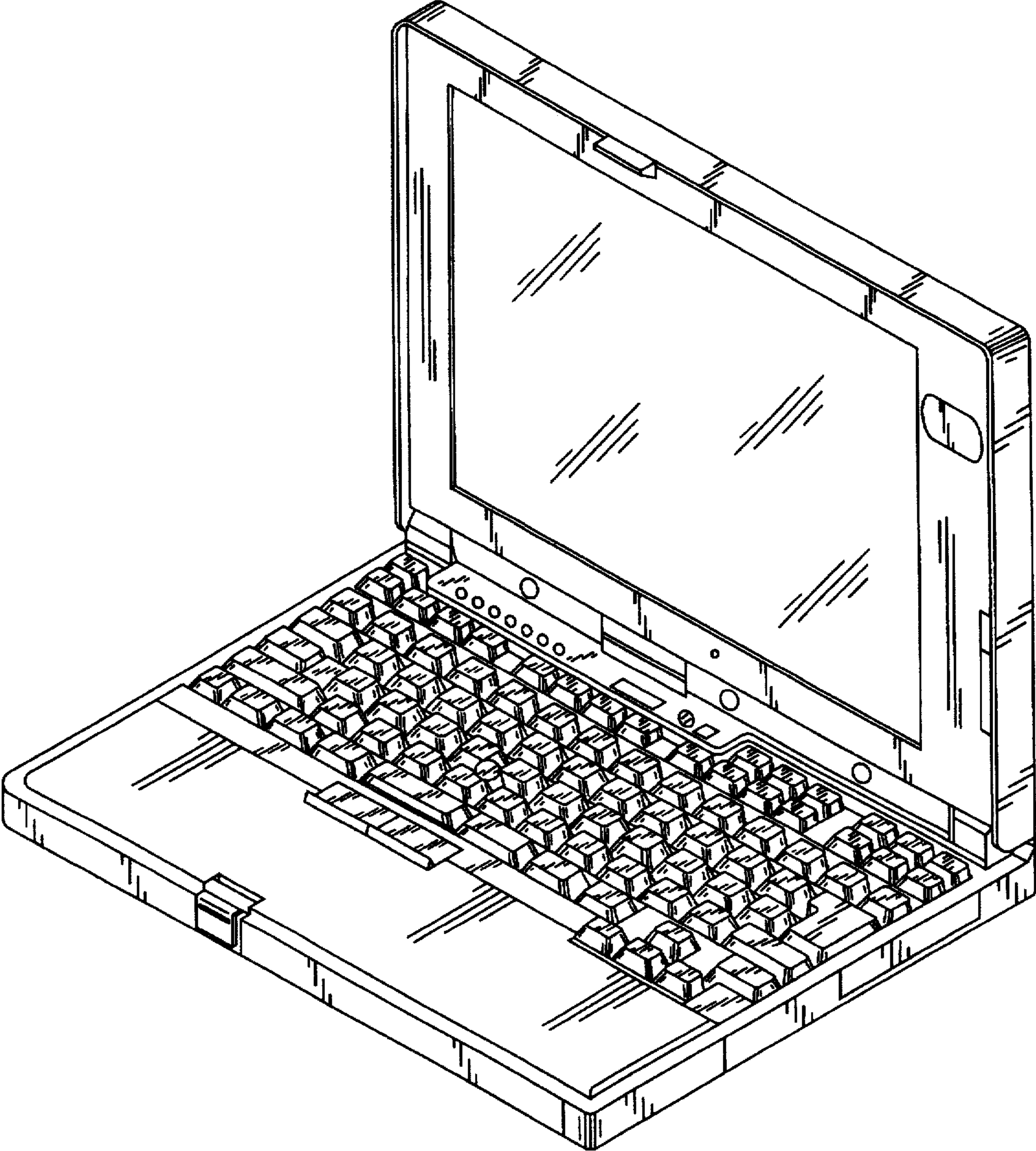


FIG. 2

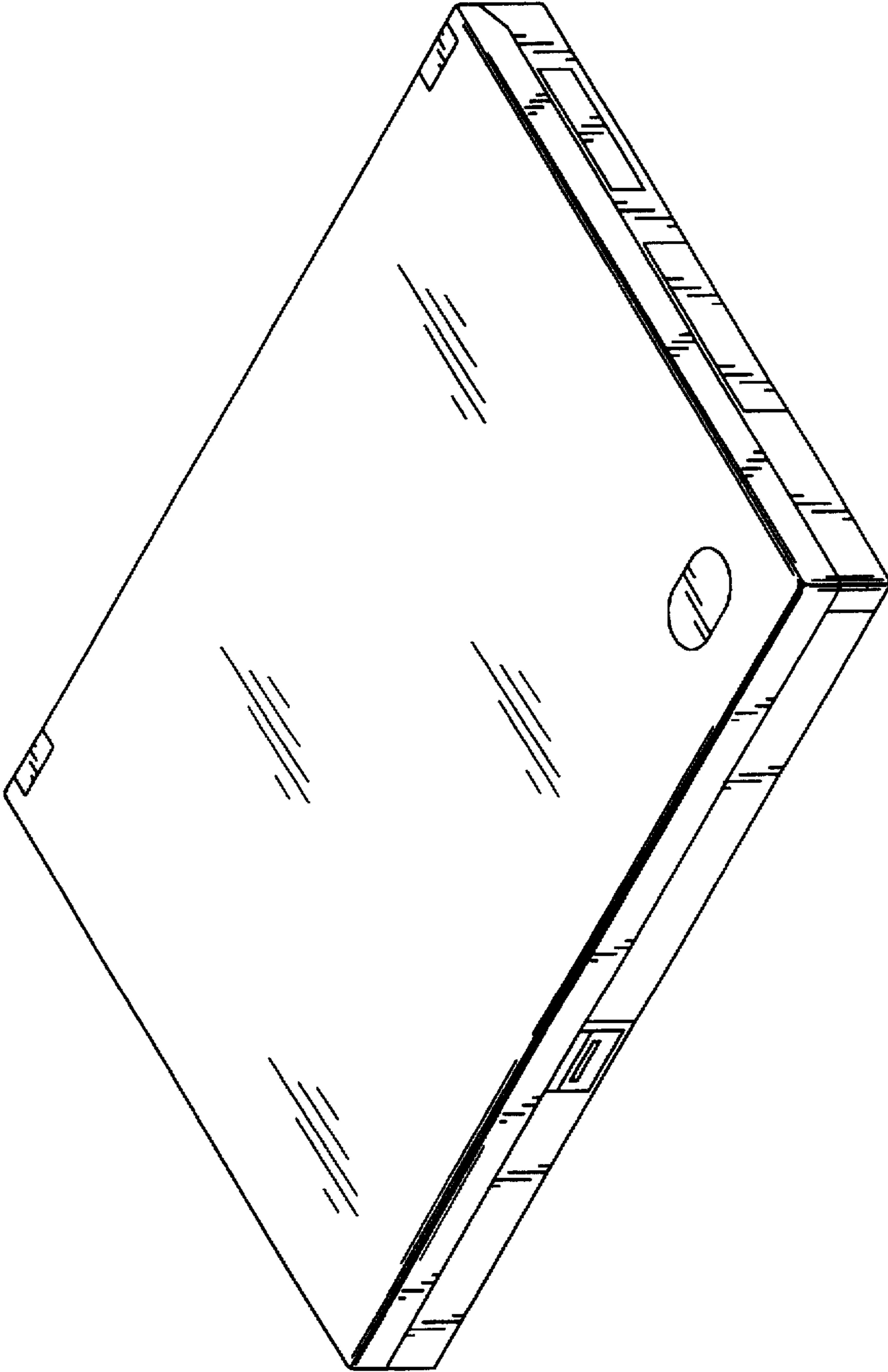


FIG. 3

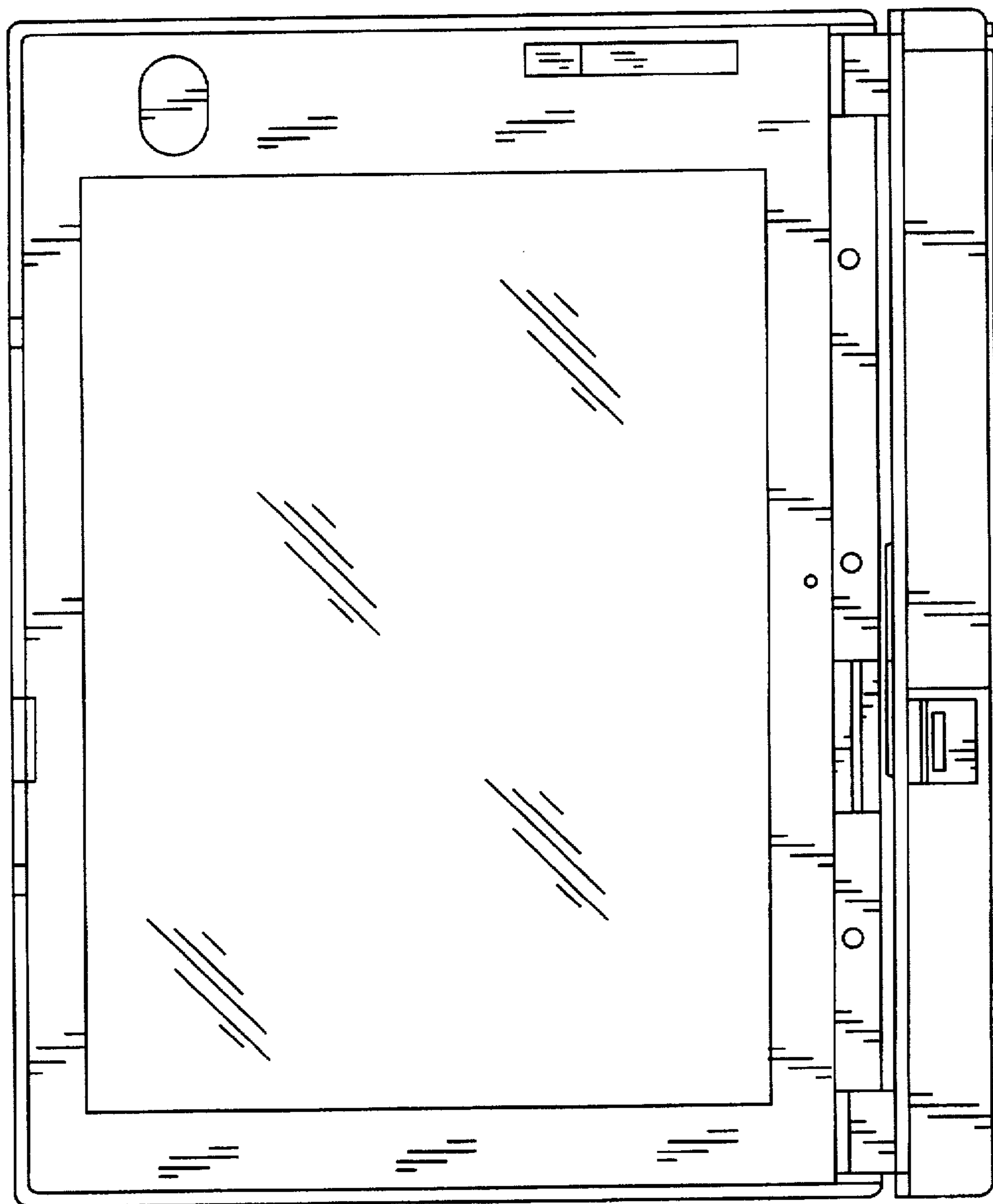


FIG. 4

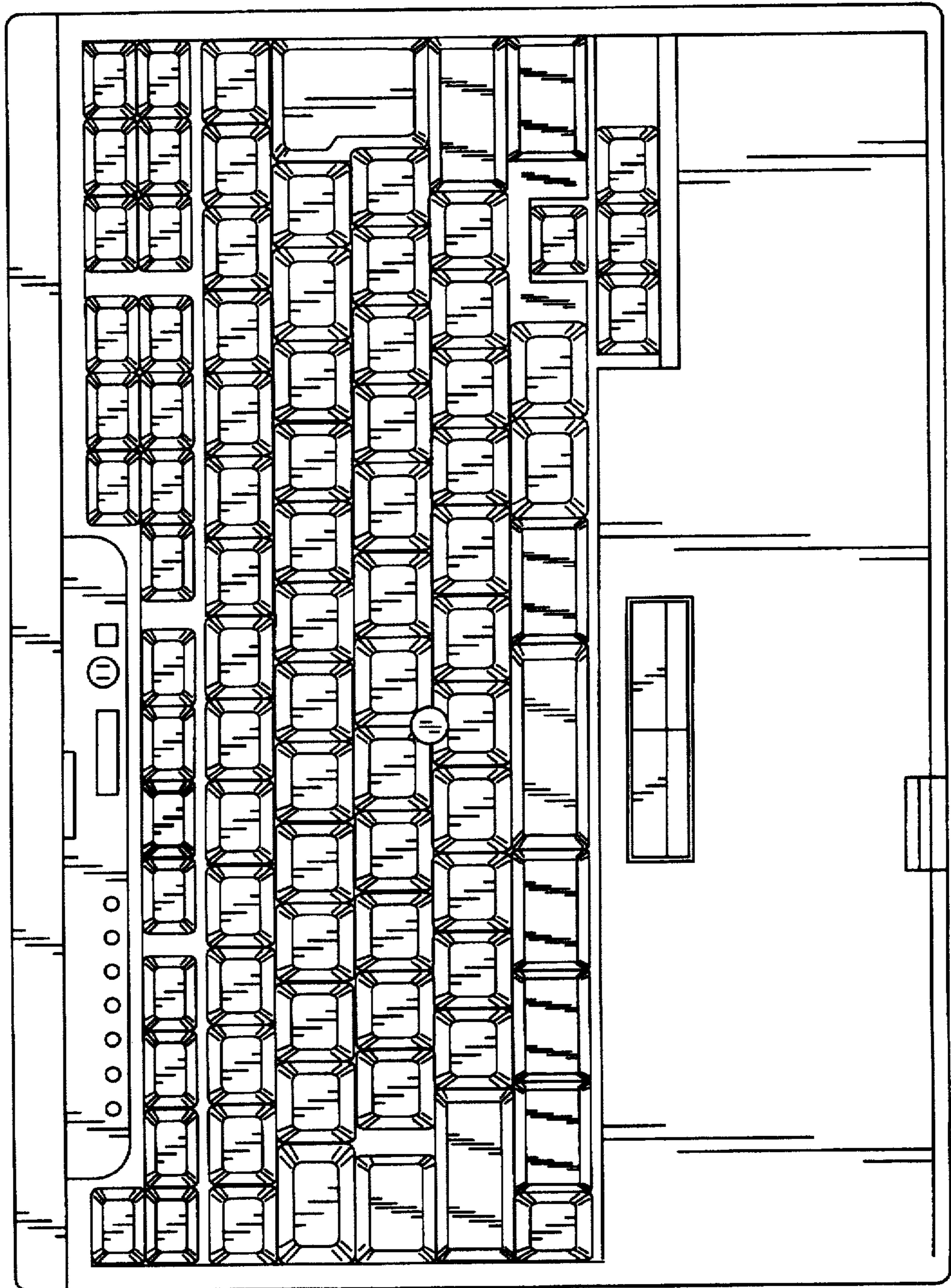


FIG. 5

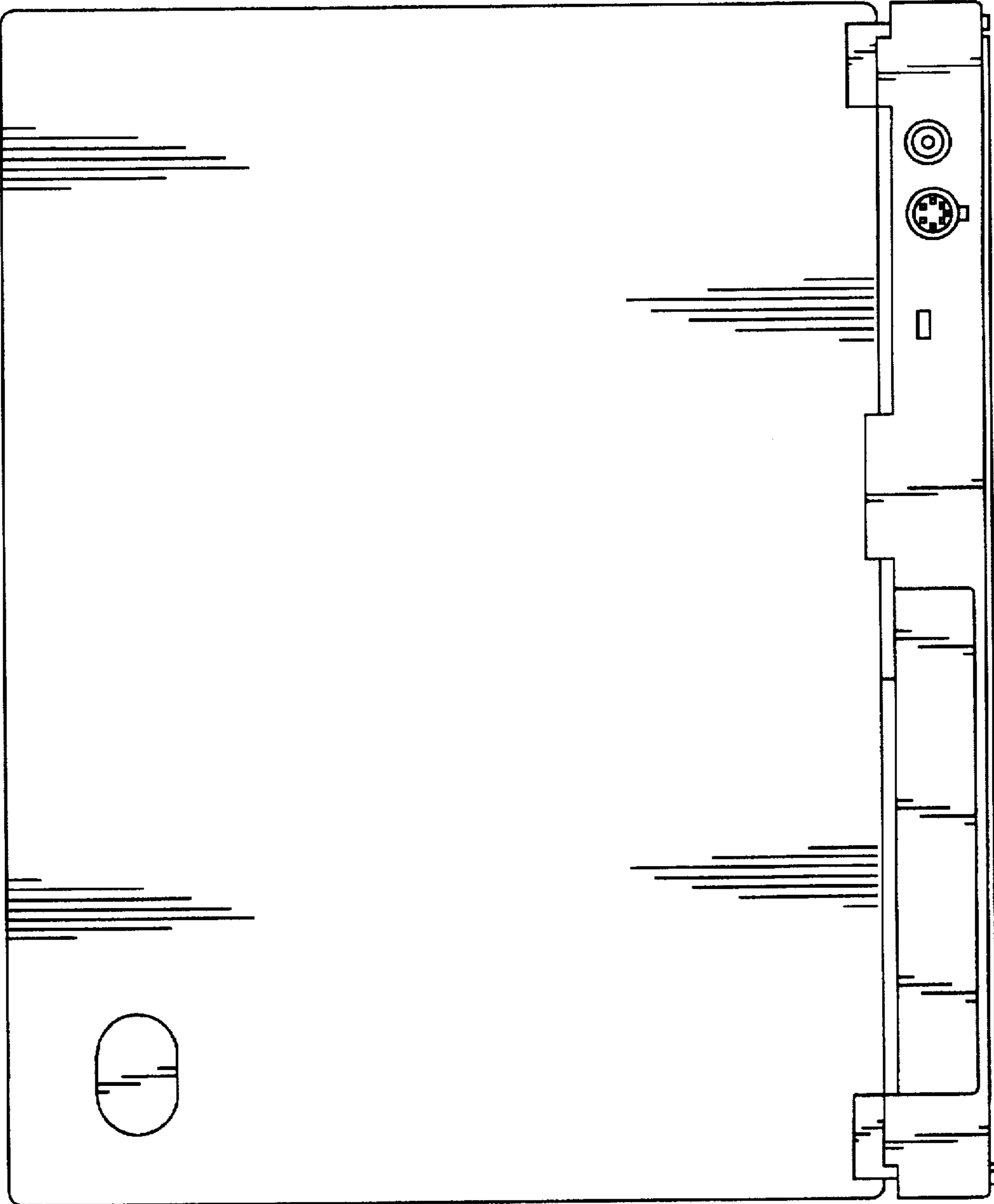


FIG. 6

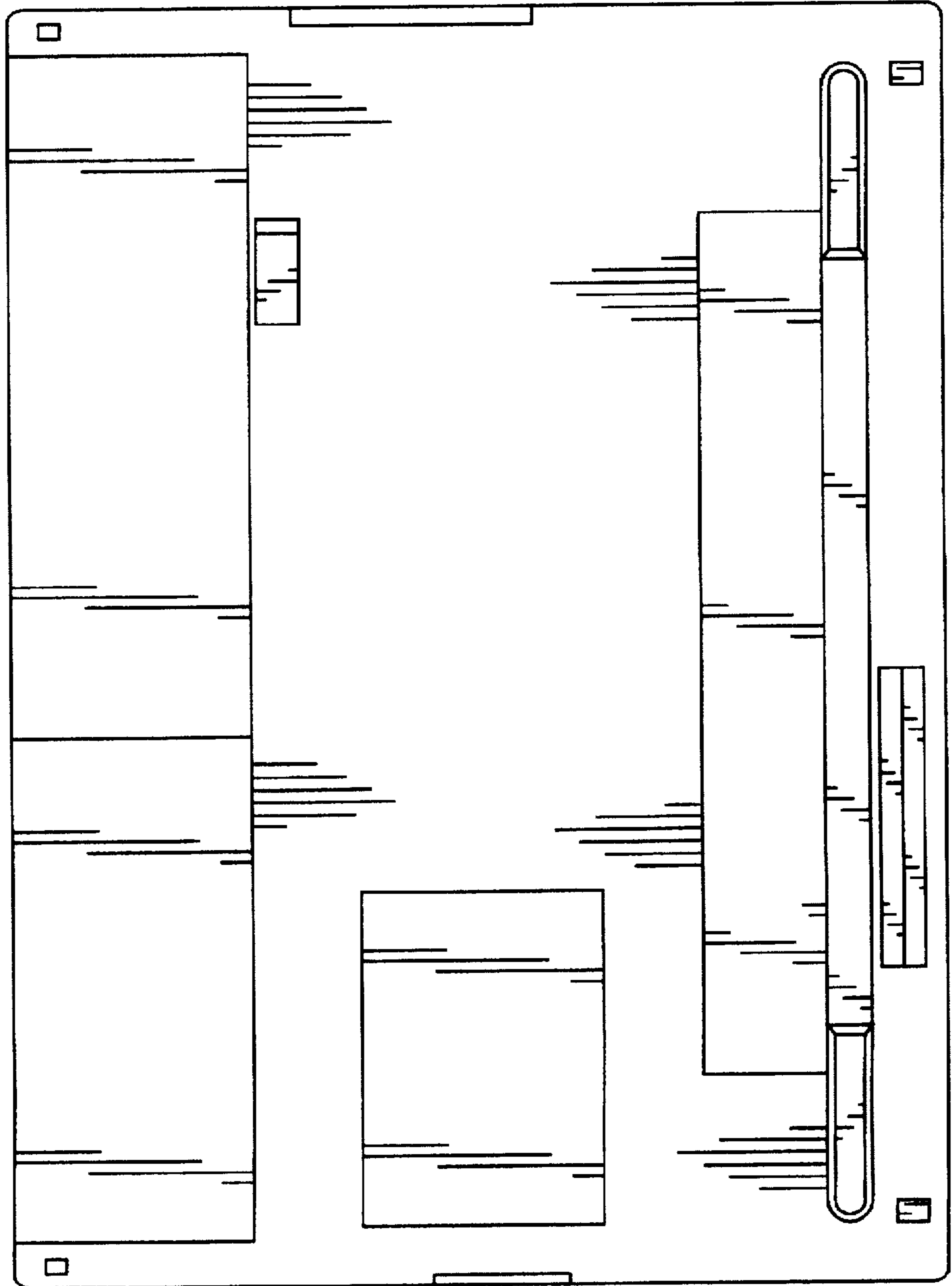


FIG. 7

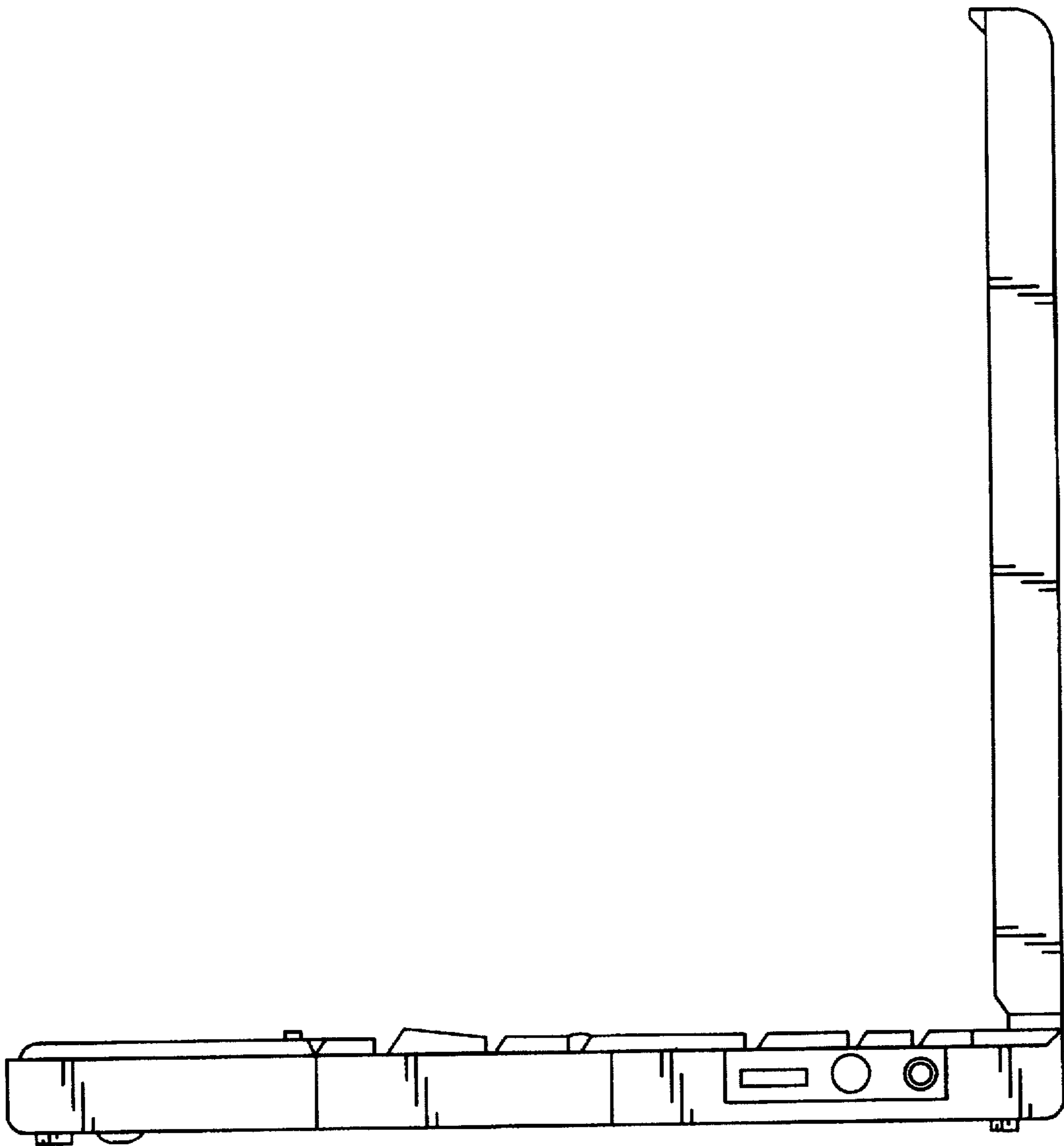




FIG. 8

