



US00D396700S

United States Patent [19]

Butts et al.

[11] Patent Number: **Des. 396,700**

[45] Date of Patent: ****Aug. 4, 1998**

[54] **CARD READER FOR DESKTOP CONTACTED INTERFACE**

[75] Inventors: **Bradford F. Butts**, Oak Park; **Arnold Crater**, Hoffman Estates; **Michael D. Prince**, Chicago; **Antonio J. Belton**, Hazel Crest, all of Ill.

[73] Assignee: **Motorola, Inc.**, Schaumburg, Ill.

[**] Term: **14 Years**

[21] Appl. No.: **78,019**

[22] Filed: **Oct. 15, 1997**

[51] LOC (6) Cl. **14-02**

[52] U.S. Cl. **D14/105**

[58] Field of Search D14/100, 107, D14/105; D16/208, 214; 235/454, 462, 470, 380, 382.5, 382, 472, 476, 482, 483, 441

[56] **References Cited**

U.S. PATENT DOCUMENTS

D. 366,466 1/1996 Lee et al. D14/105

Primary Examiner—Freda Nunn

Attorney, Agent, or Firm—James A. Coffing

[57] **CLAIM**

The ornamental design for a card reader for desktop contacted interface, as shown and described.

DESCRIPTION

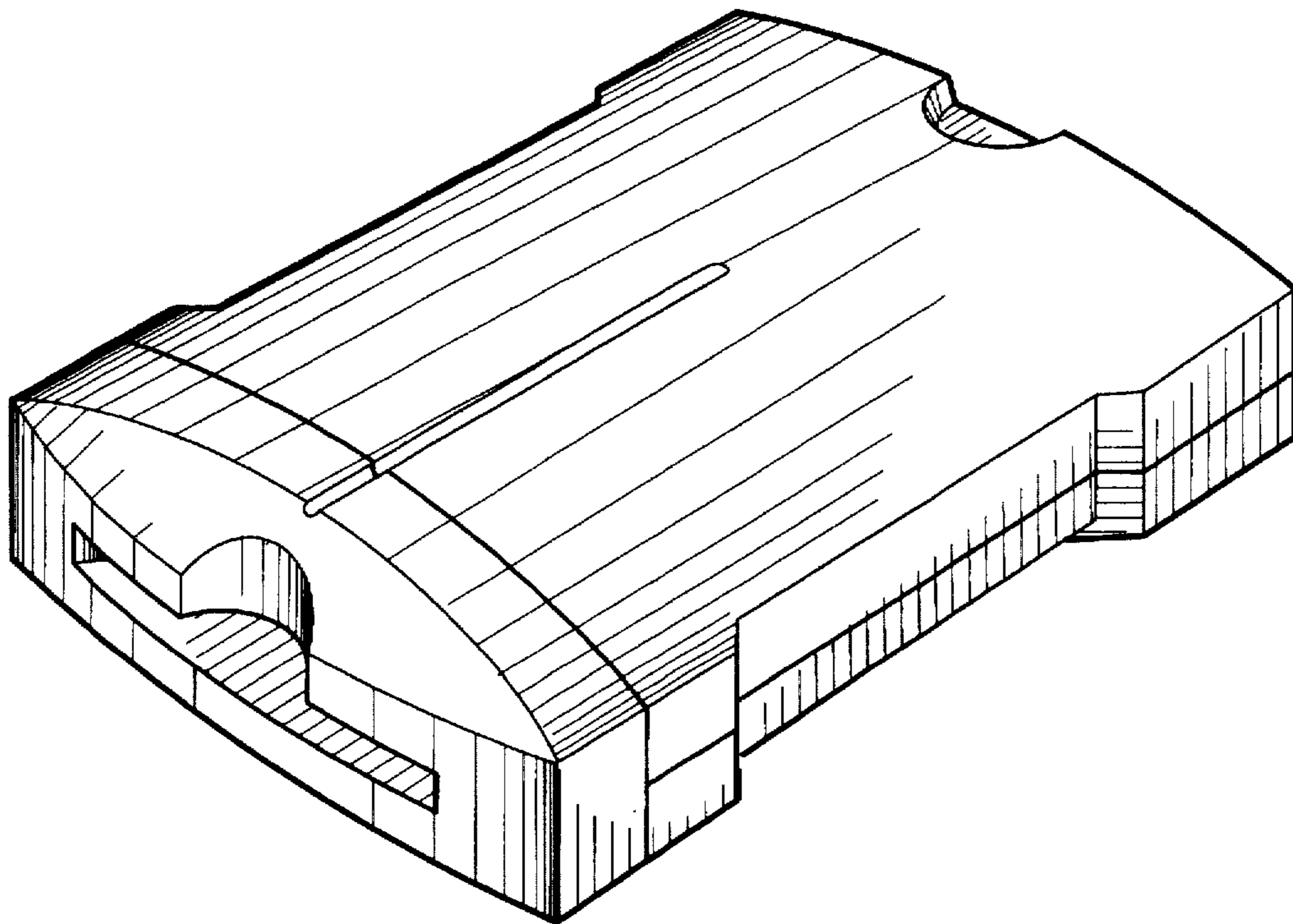
FIG. 1 is a right front top perspective view of our card reader for desktop contacted interface;

FIG. 2 is a rear elevational view thereof;

FIG. 3 is a bottom plan view thereof; and,

FIG. 4 is a left side elevational view thereof.

1 Claim, 1 Drawing Sheet



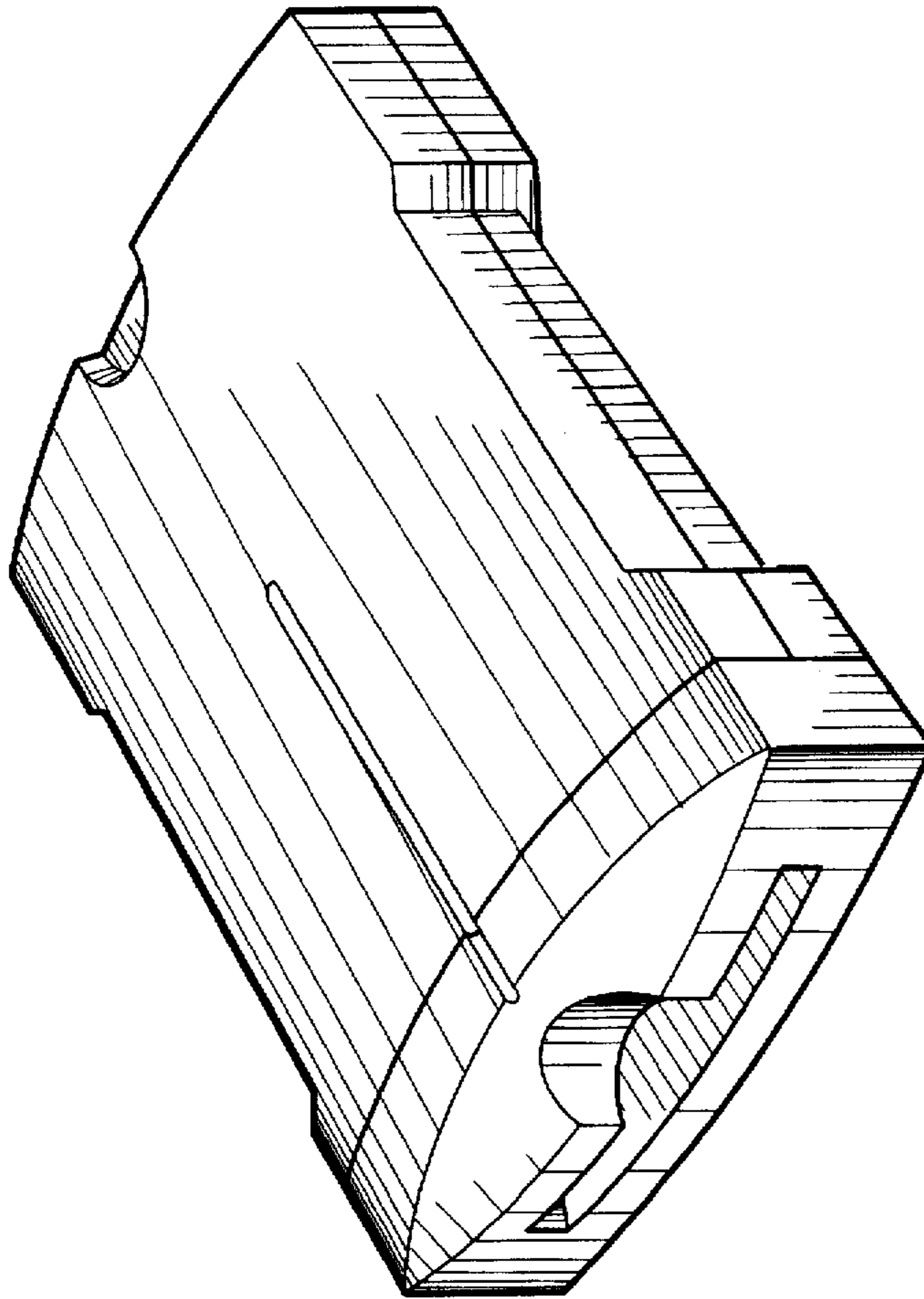


FIG. 1

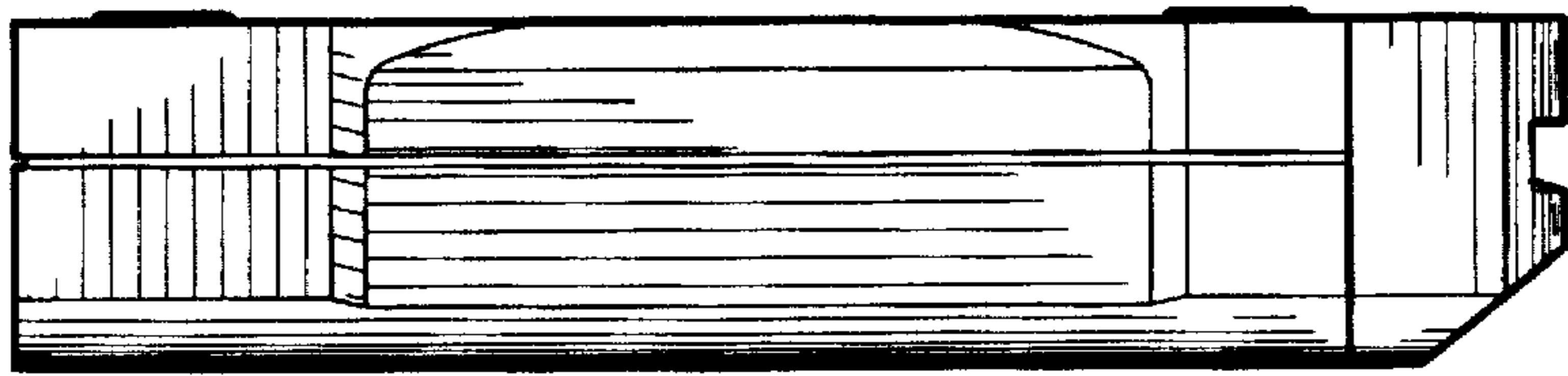


FIG. 4

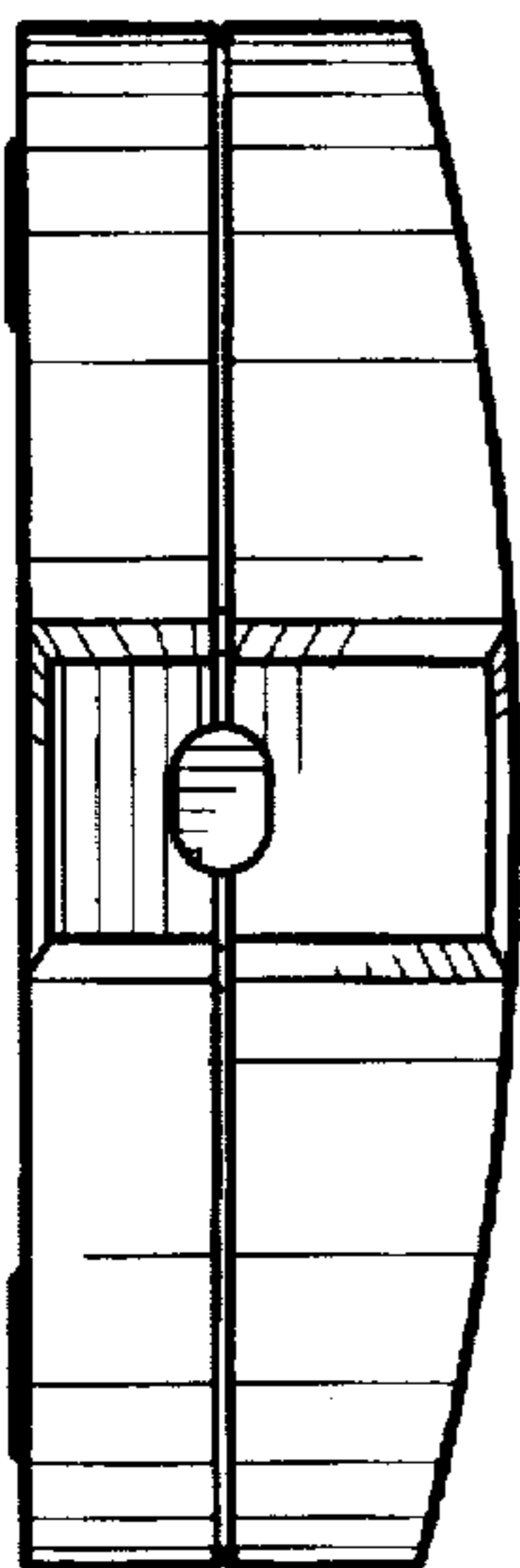


FIG. 2

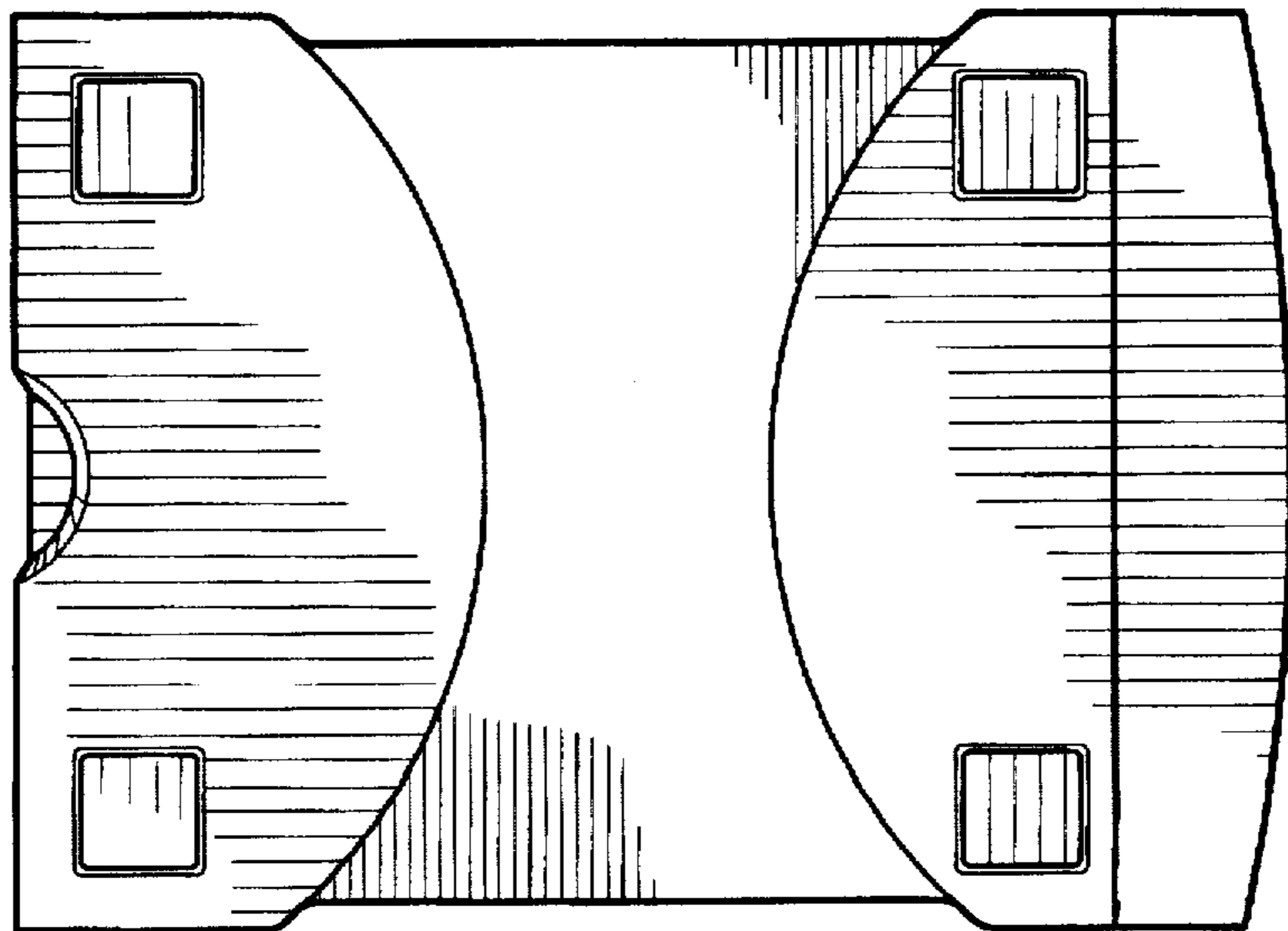


FIG. 3