



US00D396699S

# United States Patent [19]

Vackar

[11] Patent Number: **Des. 396,699**

[45] Date of Patent: **\*\*Aug. 4, 1998**

[54] **OUTER SURFACE OF AN ELECTRONIC ENCLOSURE**

[75] Inventor: **Mark A. Vackar**, Houston, Tex.

[73] Assignee: **Toshiba International Corporation**, Houston, Tex.

[\*\*] Term: **14 Years**

[21] Appl. No.: **75,351**

[22] Filed: **Aug. 25, 1997**

[51] LOC (6) Cl. .... **14-02**

[52] U.S. Cl. .... **D14/102**

[58] Field of Search ..... D14/100, 102, D14/107-109; D13/162, 184, 199; D6/432, 436, 445, 448; 312/208.1, 292; 360/97.01, 97.04, 99.01, 99.12; 361/694, 696, 683; D7/390, 411

- D. 375,944 11/1996 Franz et al. .
- D. 376,137 12/1996 MacMurtrie et al. .
- D. 379,623 6/1997 Wu .
- D. 379,802 6/1997 Collins et al. .
- D. 381,318 7/1997 Sharp et al. .
- D. 382,859 8/1997 Alfonso et al. .
- D. 383,119 9/1997 Mousa .
- 4,971,563 11/1990 Wells, III .
- 5,124,885 6/1992 Liu .
- 5,248,193 9/1993 Schlemmer .
- 5,397,176 3/1995 Allen et al. .
- 5,450,285 9/1995 Schlemmer .
- 5,549,375 8/1996 Pagliaccio .
- 5,567,068 10/1996 Egashira et al. .
- 5,568,611 10/1996 Khatri et al. .
- 5,593,219 1/1997 Ho .

Primary Examiner—Freda Nunn  
Attorney, Agent, or Firm—Banner & Witcoff, Ltd.

## [57] CLAIM

The ornamental design for an outer surface of an electronic enclosure, as shown and described.

## DESCRIPTION

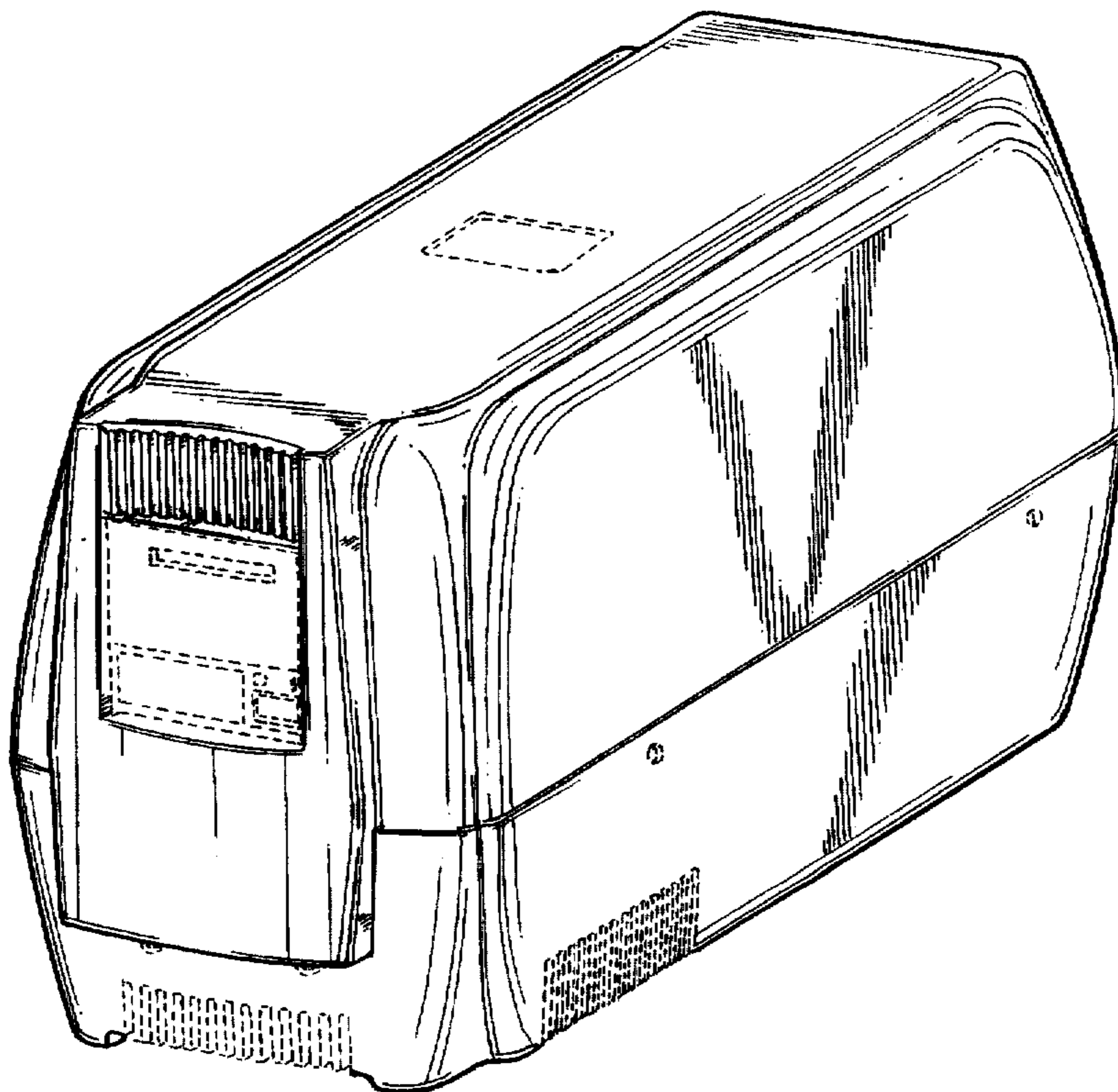
FIG. 1 is a perspective view of an outer surface of an electronic enclosure showing my new design; FIG. 2 is a left side elevational the right side elevational being a mirror image thereof; FIG. 3 is a front elevational view thereof; FIG. 4 is a rear elevational view thereof; FIG. 5 is a top plan view thereof; and, FIG. 6 is a bottom plan view thereof. The broken lines are shown in the views for illustrative purposes only and form no part of the claimed design.

**1 Claim, 5 Drawing Sheets**

## [56] References Cited

### U.S. PATENT DOCUMENTS

- D. 337,758 7/1993 Barbera et al. .... D14/102
- D. 358,581 5/1995 Daniels .
- D. 361,327 8/1995 Yang .
- D. 366,462 1/1996 Hill et al. .
- D. 366,464 1/1996 Martin .
- D. 368,256 3/1996 Stropkay et al. .... D14/107
- D. 369,792 5/1996 Paterson et al. .
- D. 370,211 5/1996 Lee .
- D. 370,902 6/1996 Reiter .
- D. 371,351 7/1996 Lai .
- D. 372,899 8/1996 Swansey et al. .
- D. 374,431 10/1996 Tennant .



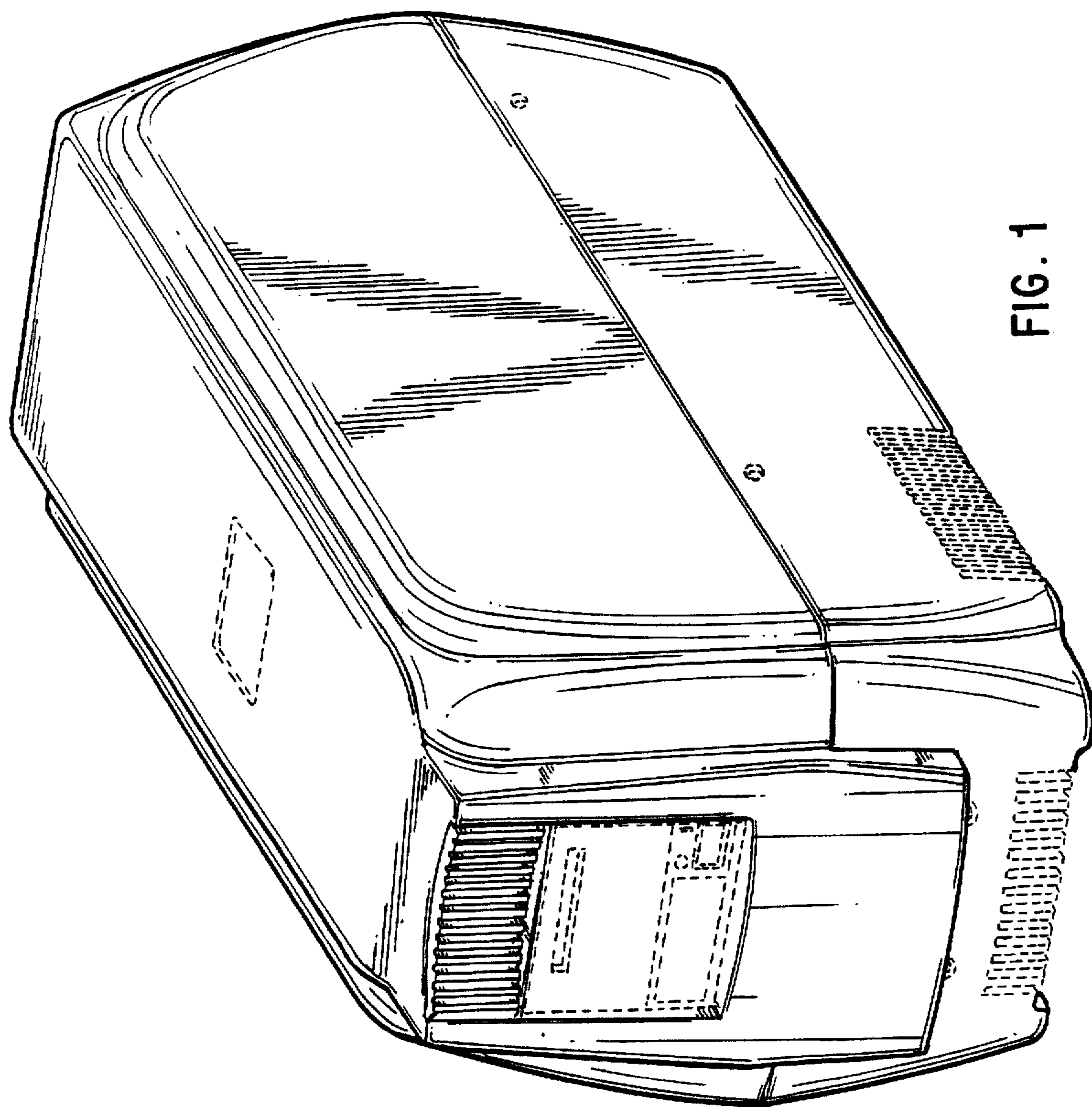


FIG. 1

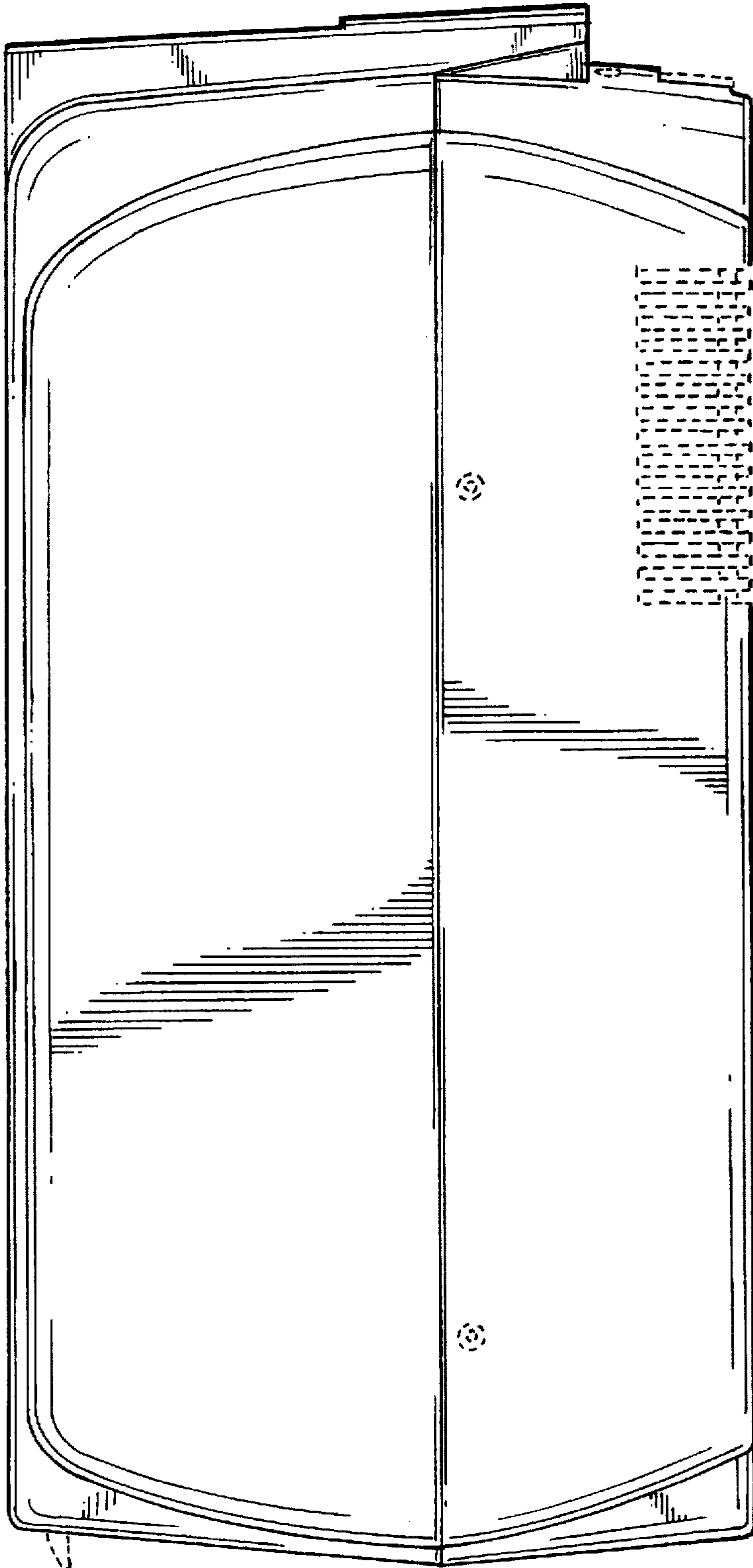


FIG. 2

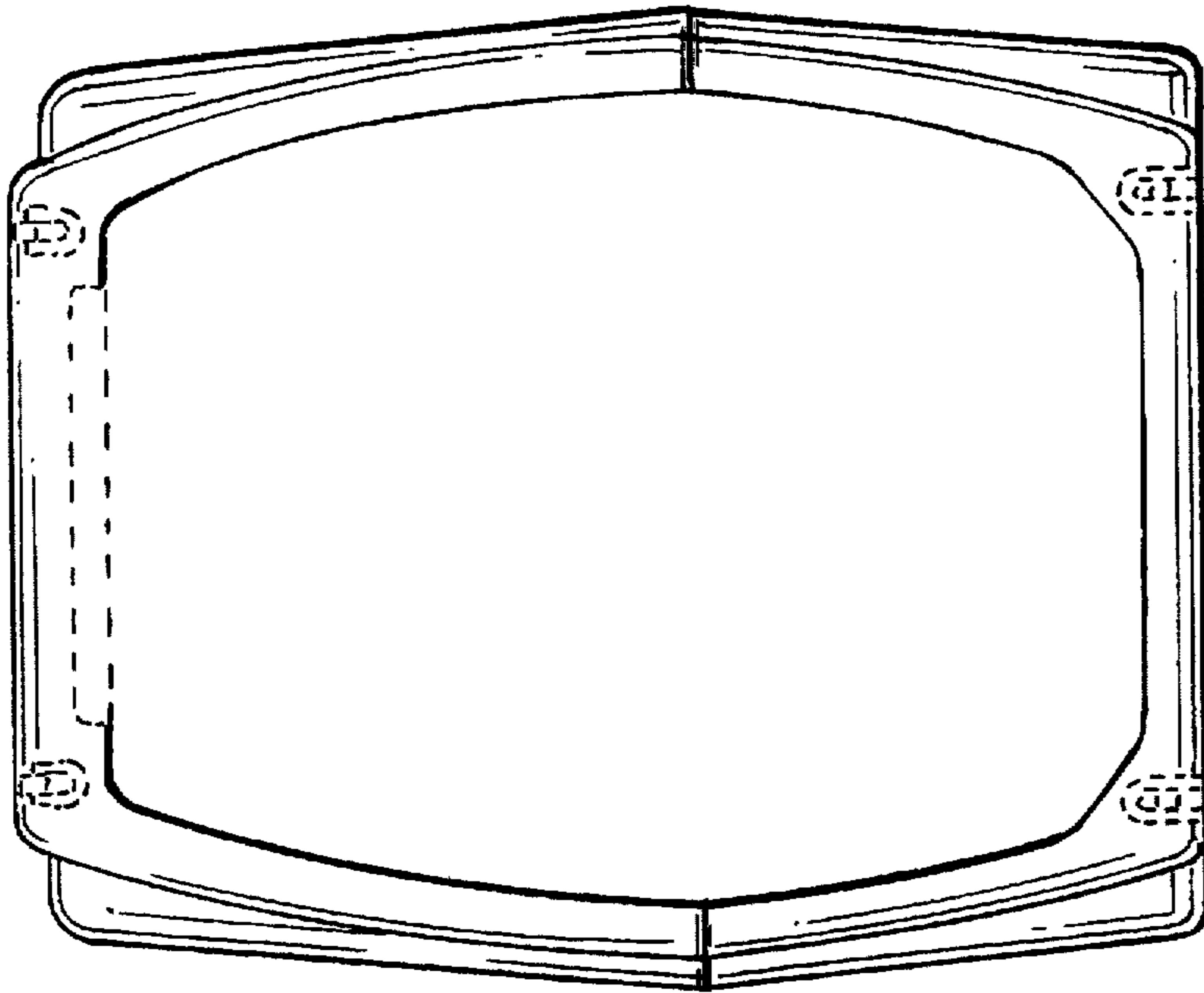


FIG. 4

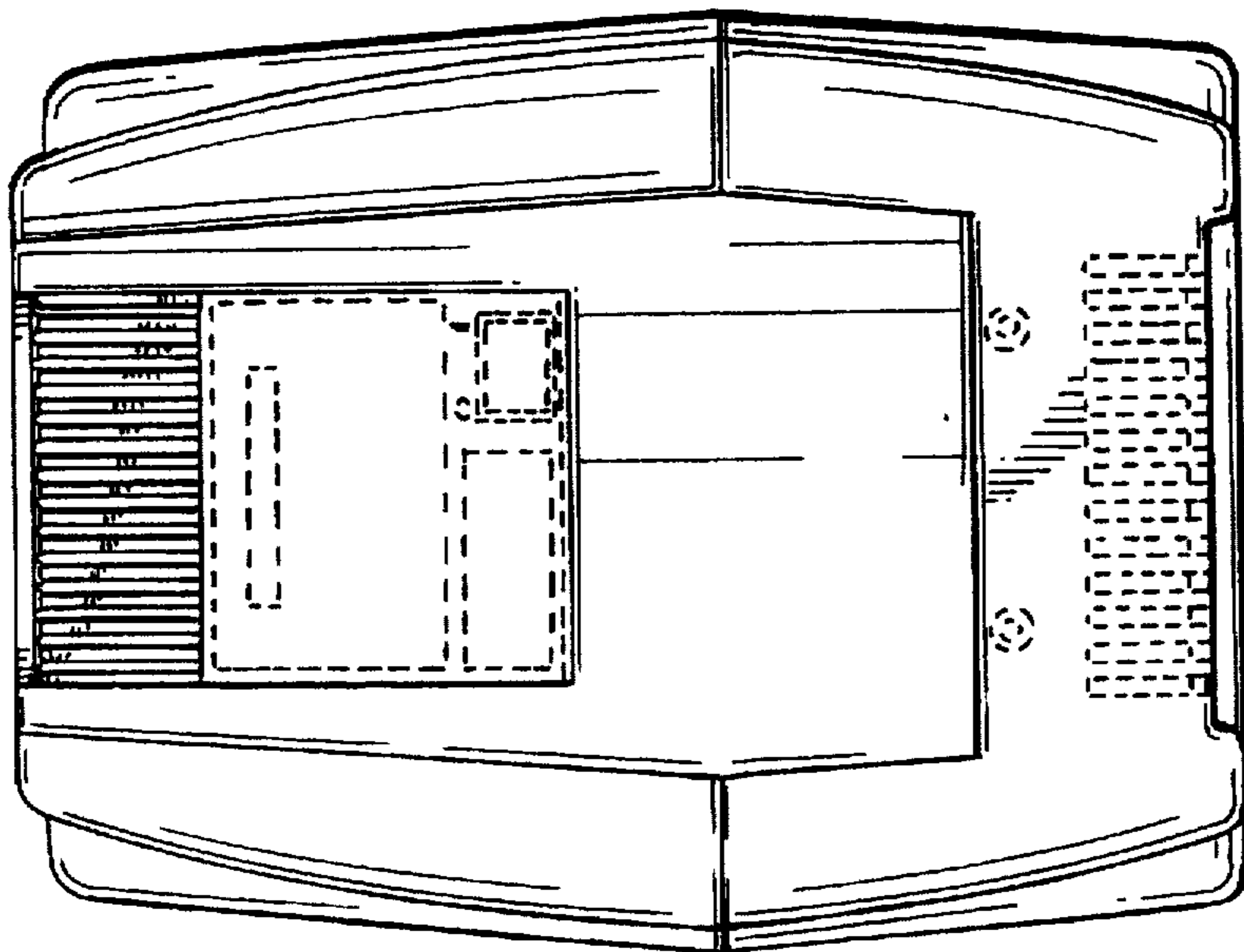


FIG. 3

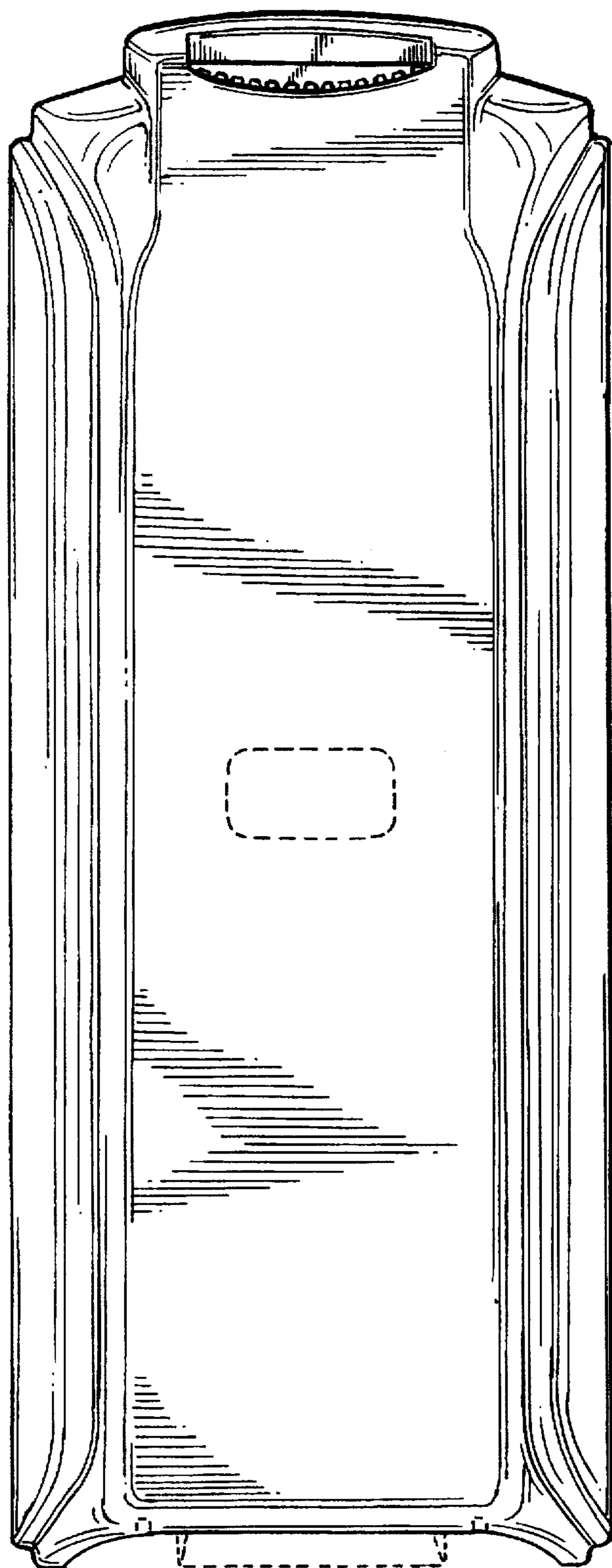


FIG. 5

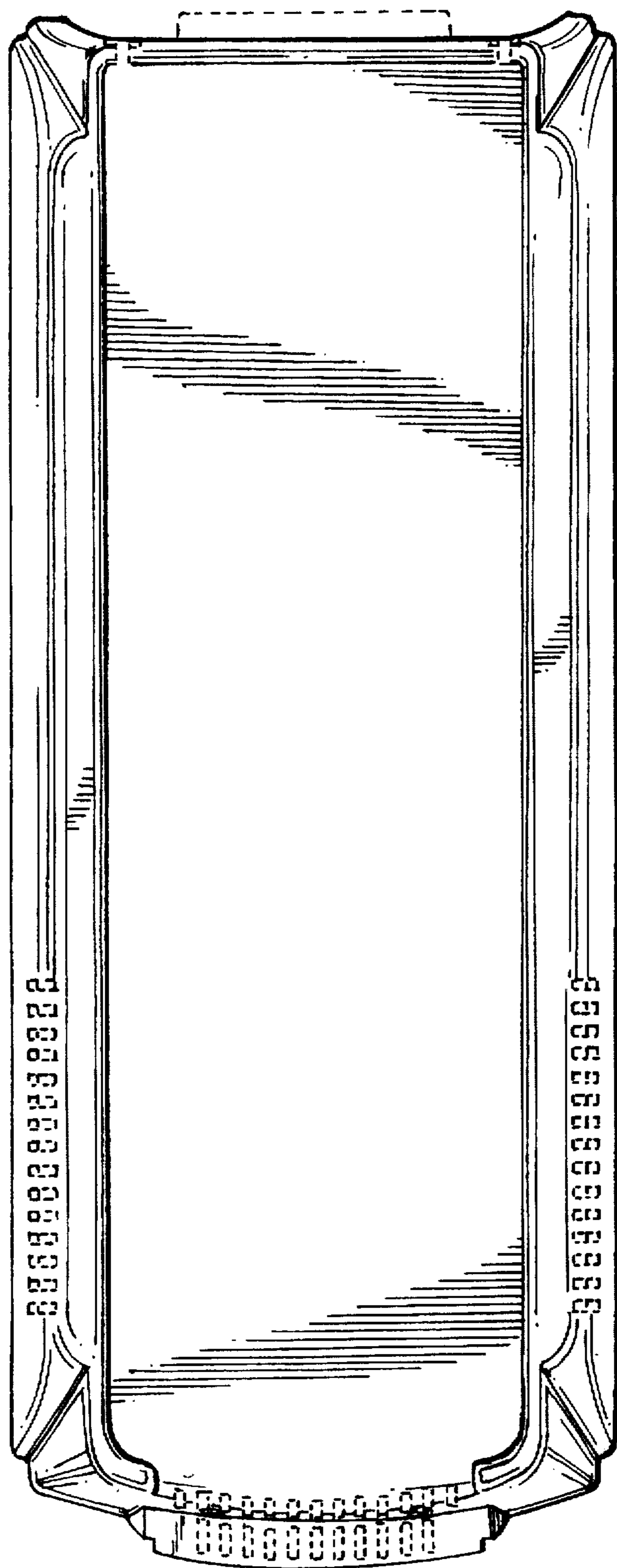


FIG. 6