



US00D396698S

# United States Patent [19]

Cook et al.

[11] Patent Number: **Des. 396,698**

[45] Date of Patent: **\*\*Aug. 4, 1998**

[54] **COMPACT COMPUTER HOUSING**

[75] Inventors: **Robert Alden Cook; Glenn Alan Wernig**, both of San Jose; **Richard G. Ivester**, Palo Alto; **Scott W. Summit**, Portola Valley, all of Calif.

[73] Assignee: **Silicon Graphics, Inc.**, Mountain View, Calif.

[\*\*] Term: **14 Years**

[21] Appl. No.: **65,316**

[22] Filed: **Jan. 23, 1997**

[51] LOC (6) Cl. .... **14-02**

[52] U.S. Cl. .... **D14/102; D14/100**

[58] Field of Search ..... **D14/100, 102, D14/107-109; D13/162, 184, 199; D6/432, 436, 445, 448; 312/208.1, 223.2; 360/99.12; 361/690-696**

[56] **References Cited**

**U.S. PATENT DOCUMENTS**

D. 284,860 7/1986 Carroll, III et al. .... D14/102

*Primary Examiner*—Freda Nunn  
*Attorney, Agent, or Firm*—Wagner, Murabito & Hao

[57] **CLAIM**

The ornamental design for a compact computer housing, as shown.

**DESCRIPTION**

FIG. 1 is a top left front perspective view of the compact computer housing showing our new design;

FIG. 2 is a top right front perspective view thereof;

FIG. 3 is a front elevational view thereof;

FIG. 4 is a rear elevational view thereof;

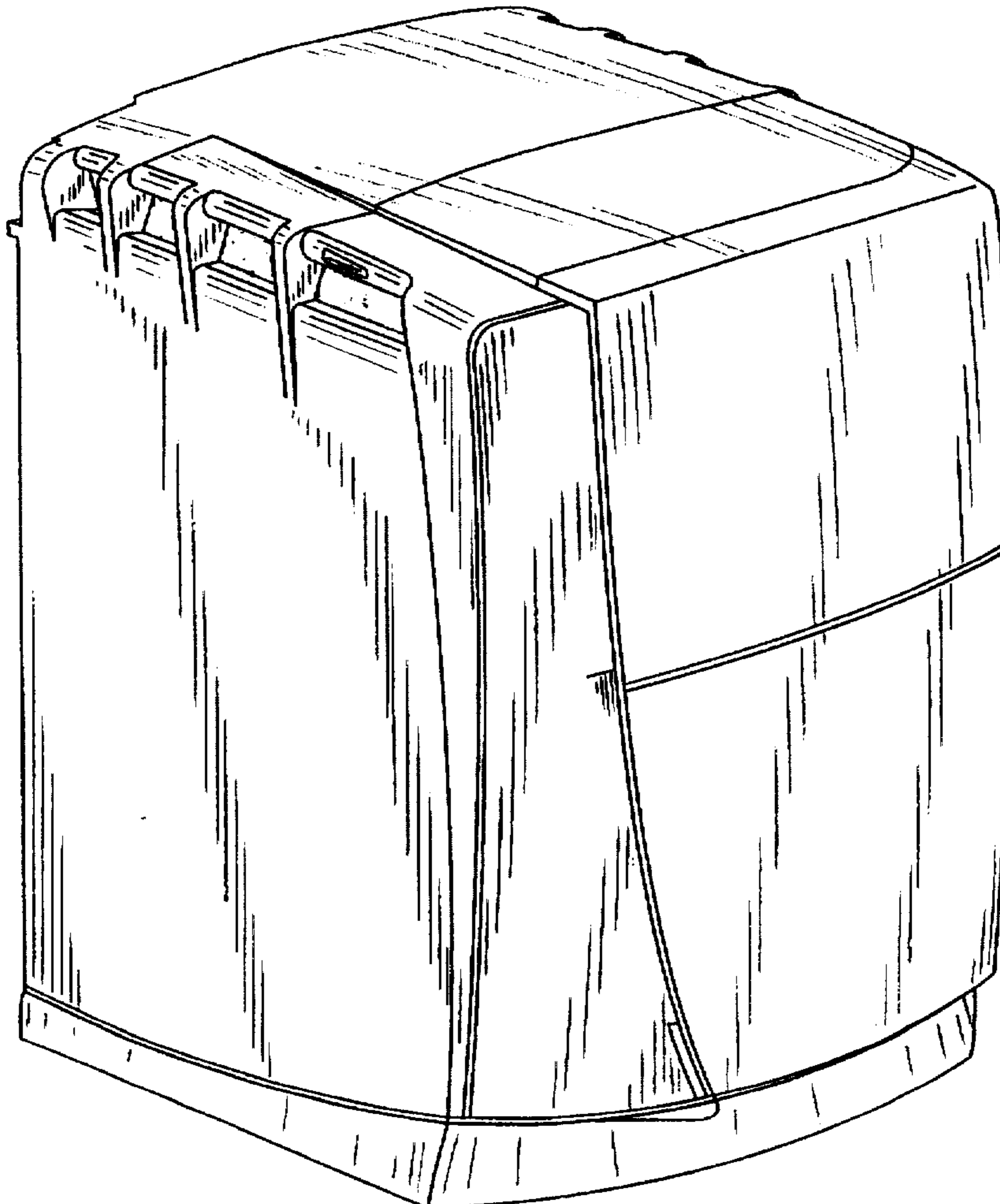
FIG. 5 is a left side elevational view thereof;

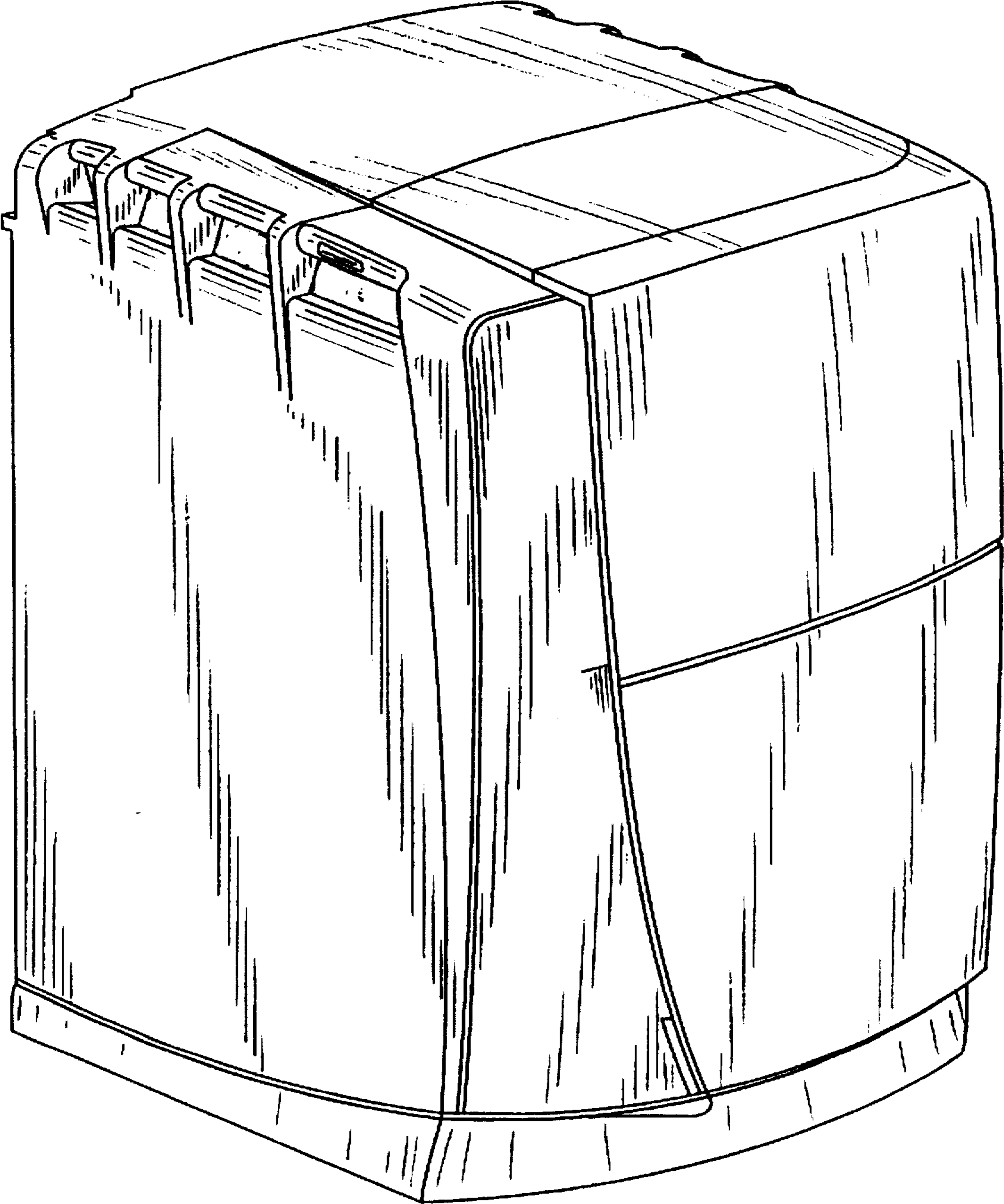
FIG. 6 is a right side elevational view thereof;

FIG. 7 is a top plan view thereof; and,

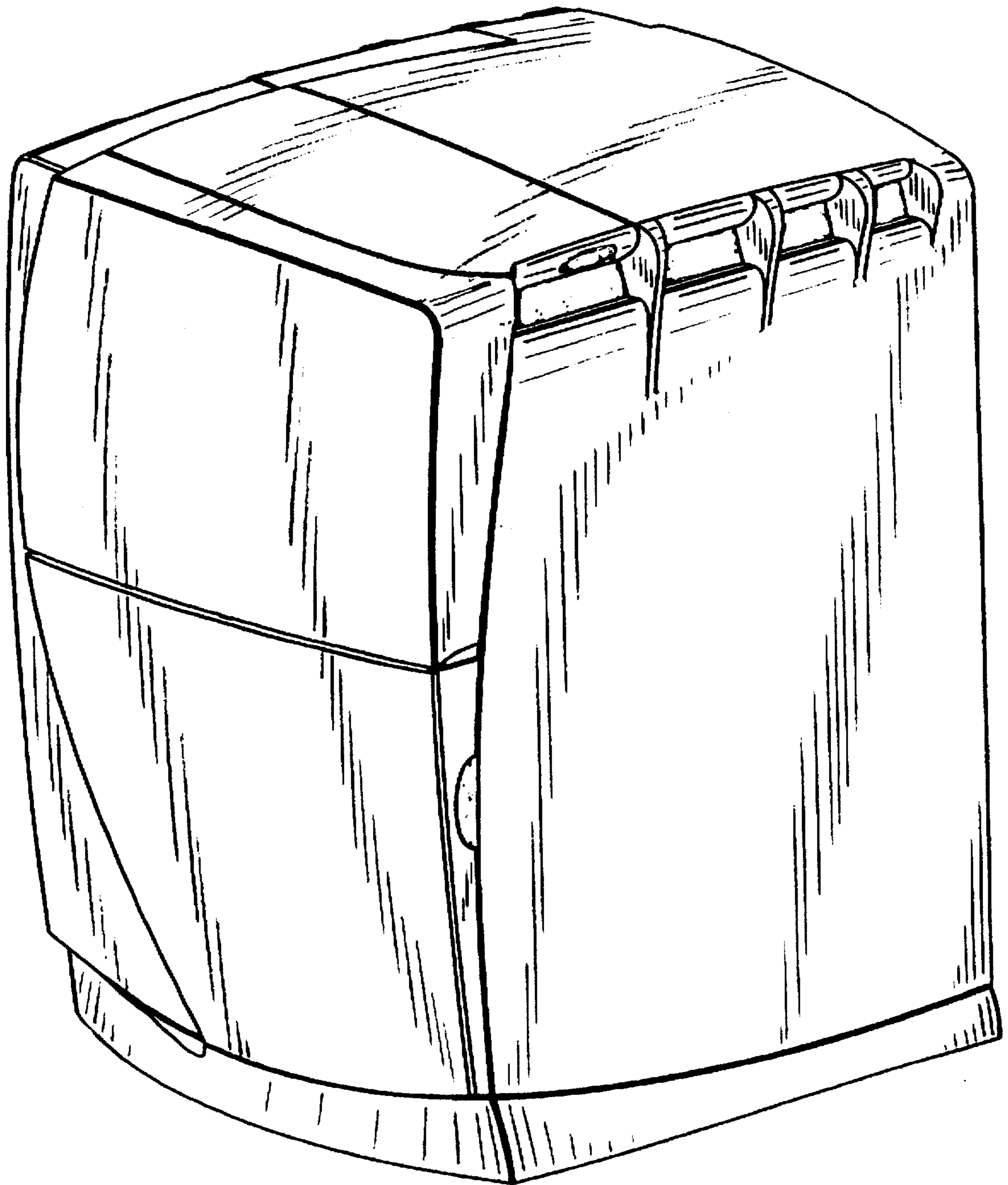
FIG. 8 is a bottom plan view thereof.

**1 Claim, 8 Drawing Sheets**

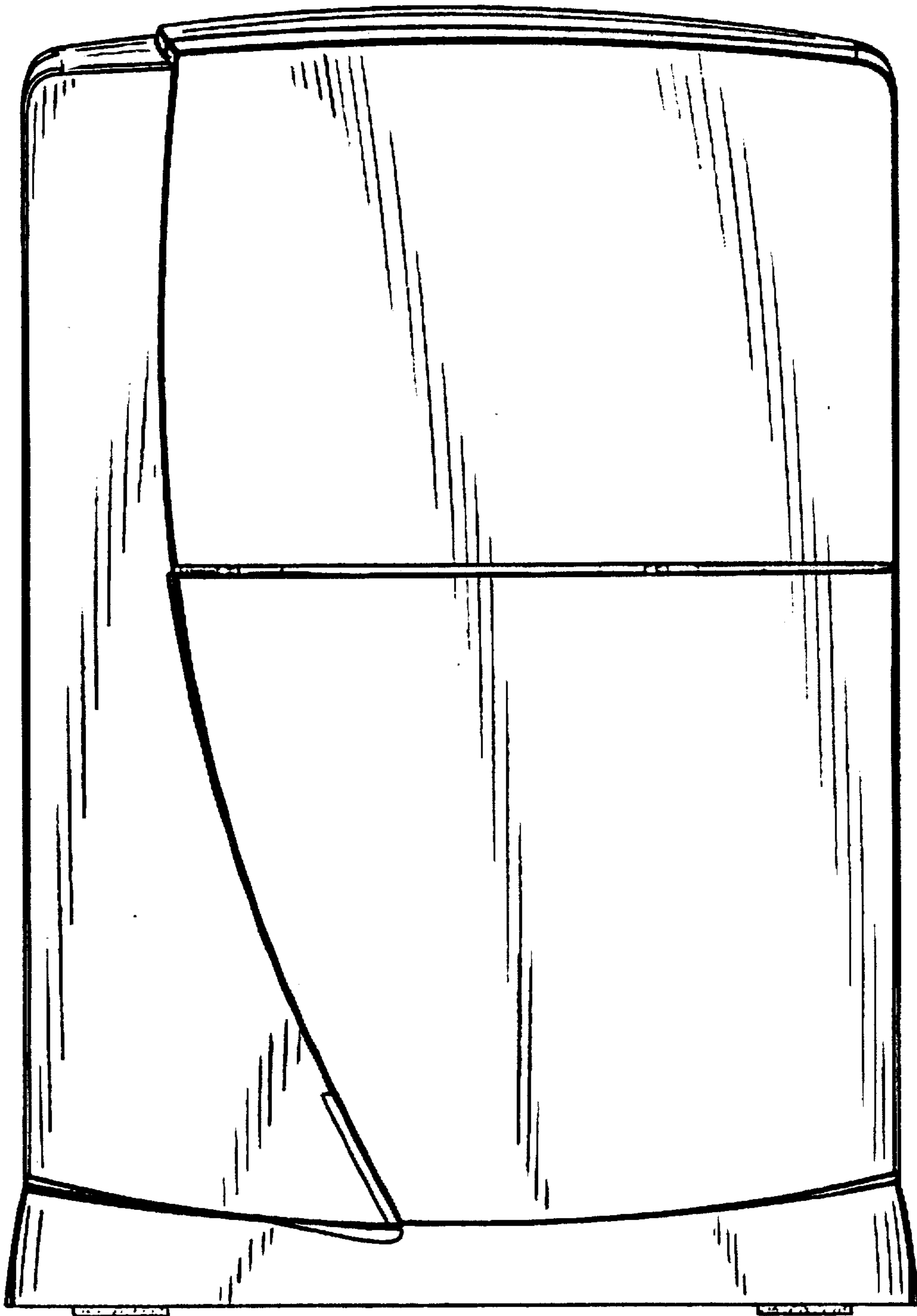




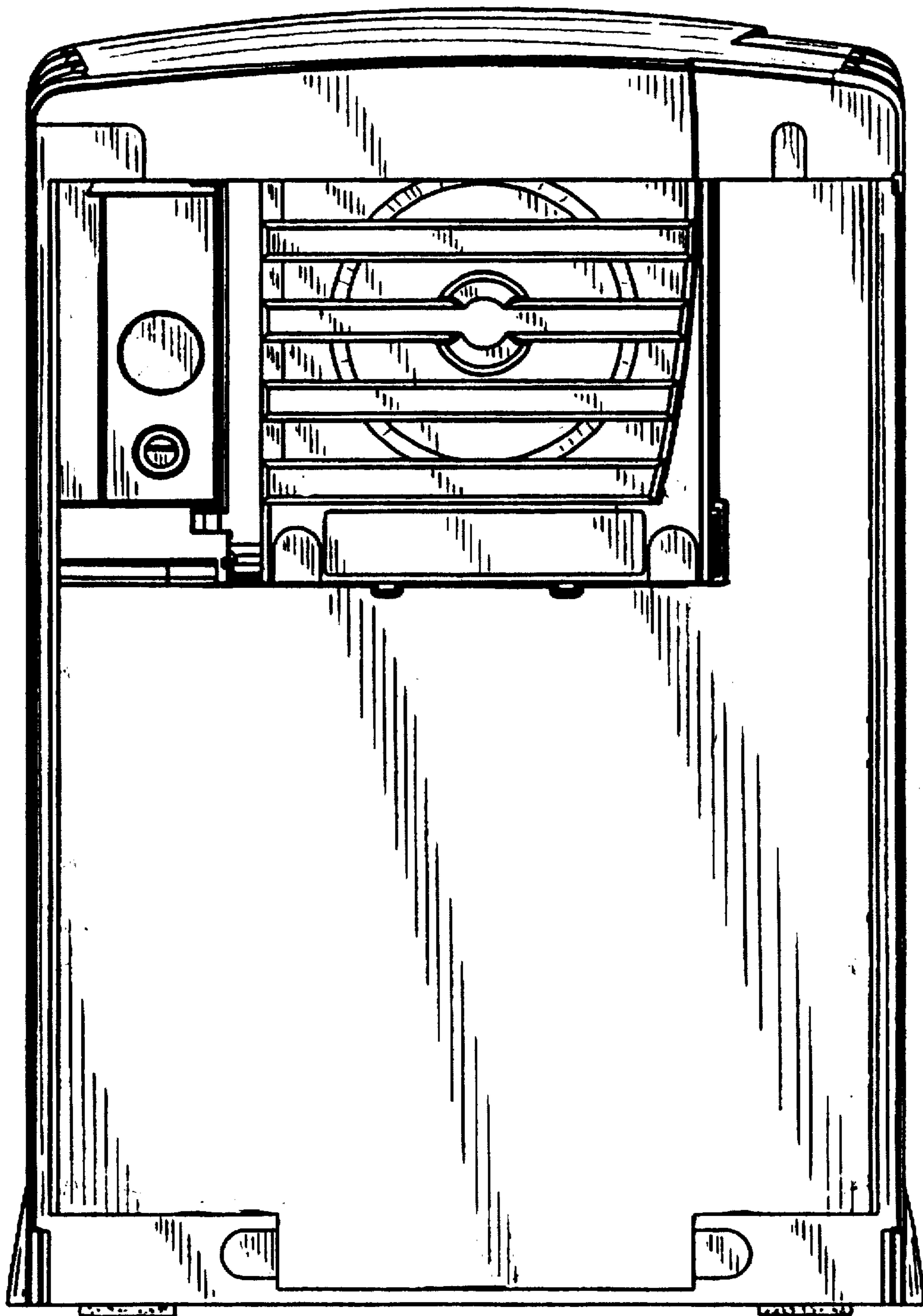
**FIG. 1**



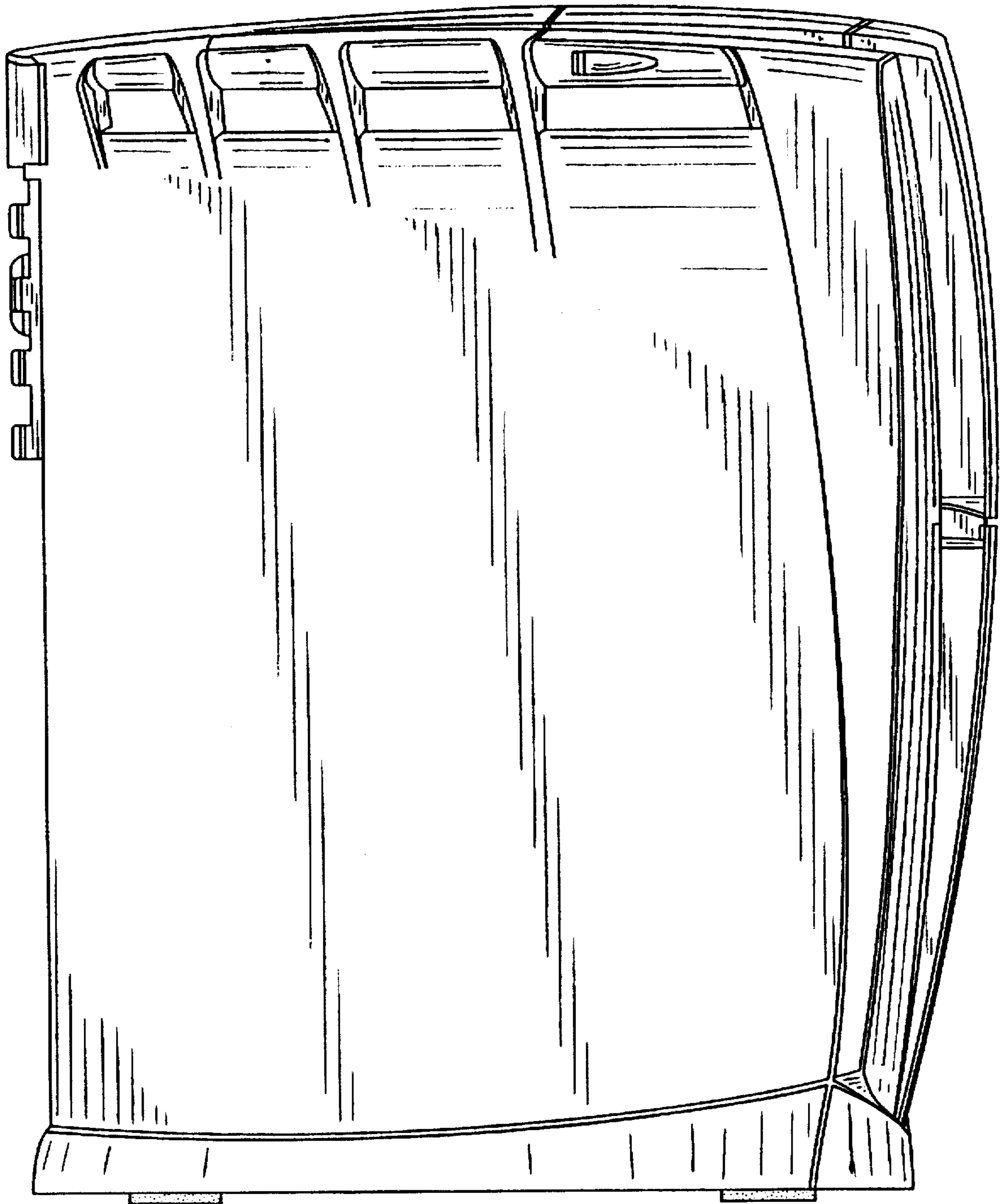
**FIG. 2**



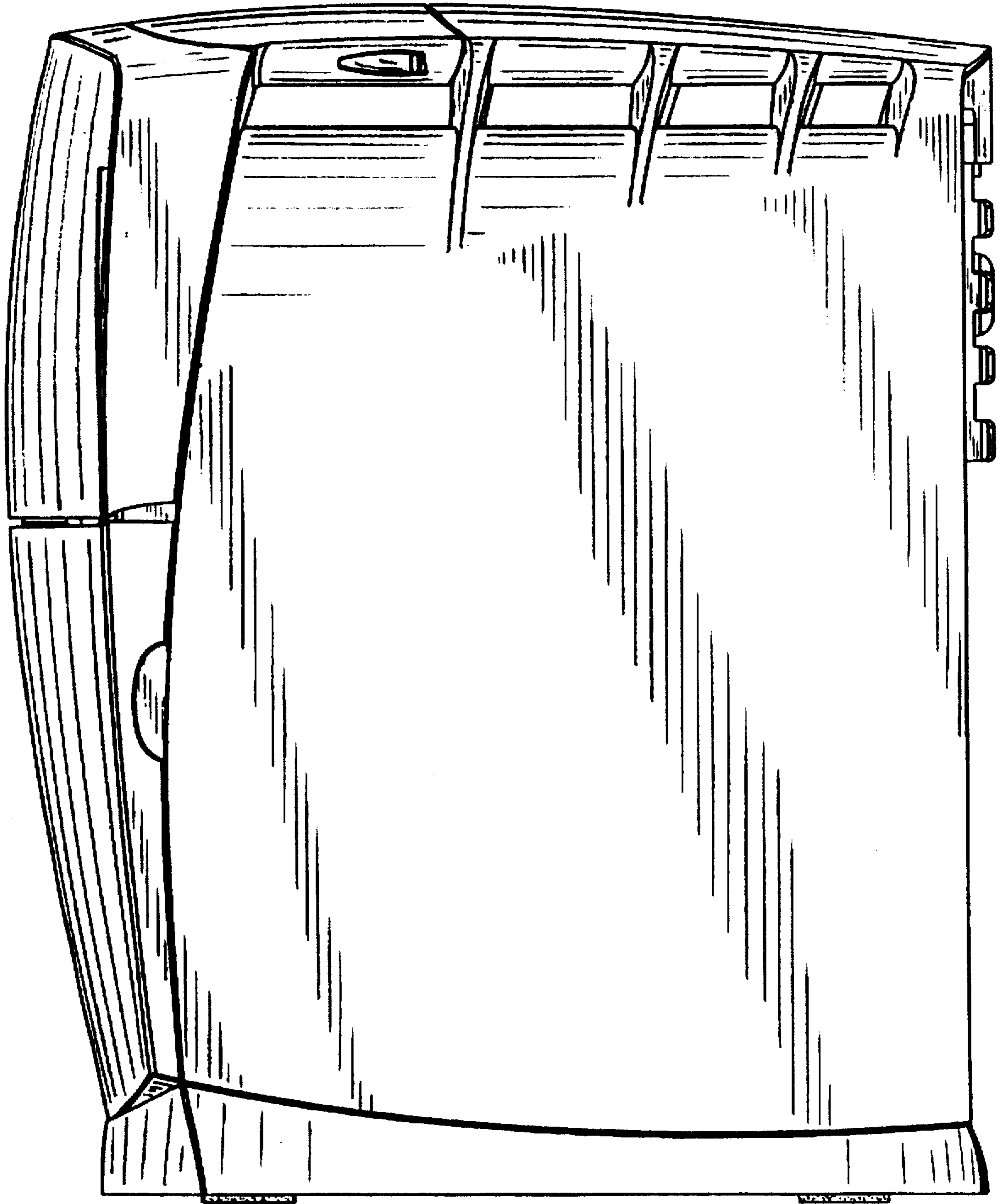
**FIG. 3**



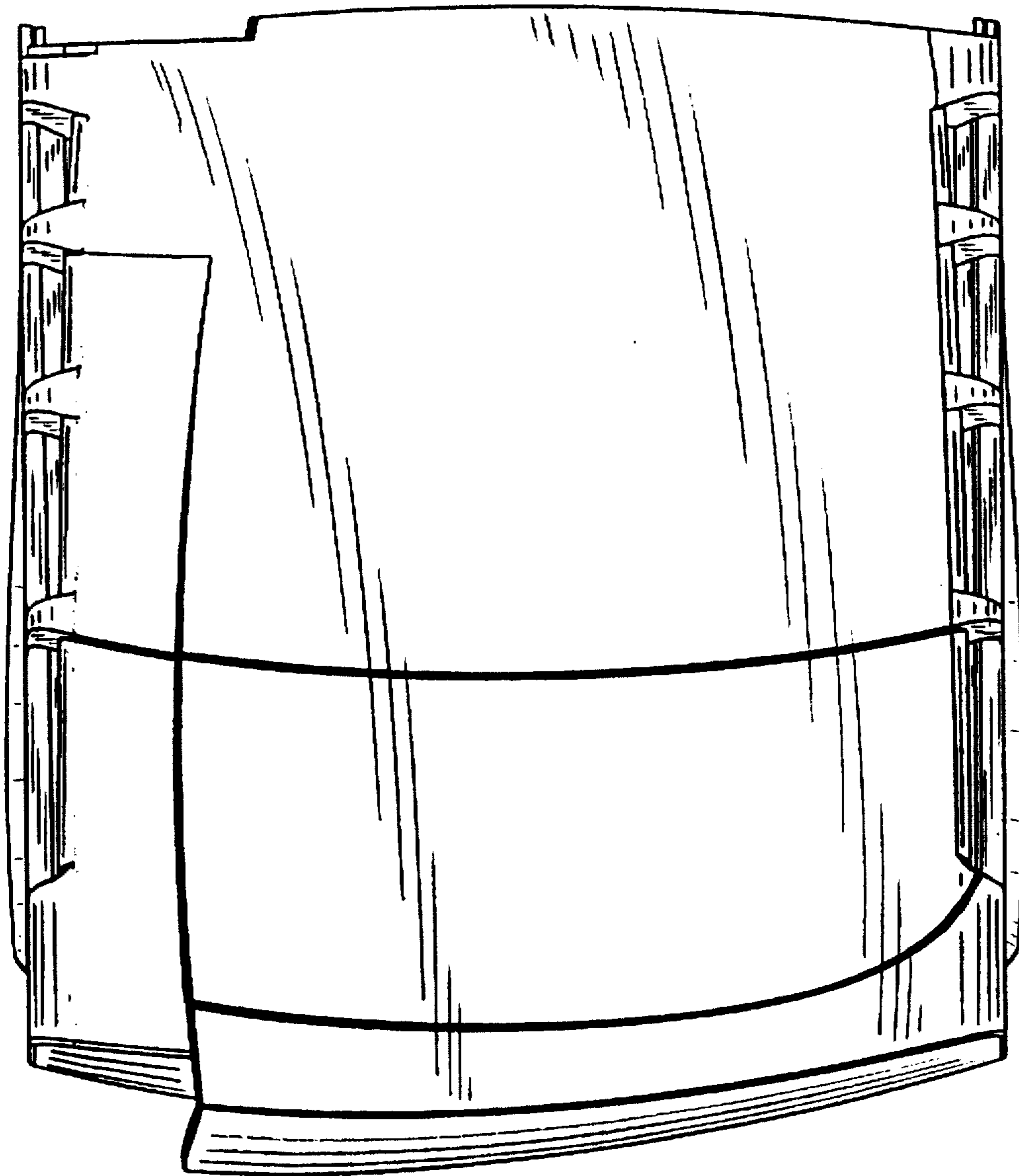
**FIG. 4**



**FIG. 5**

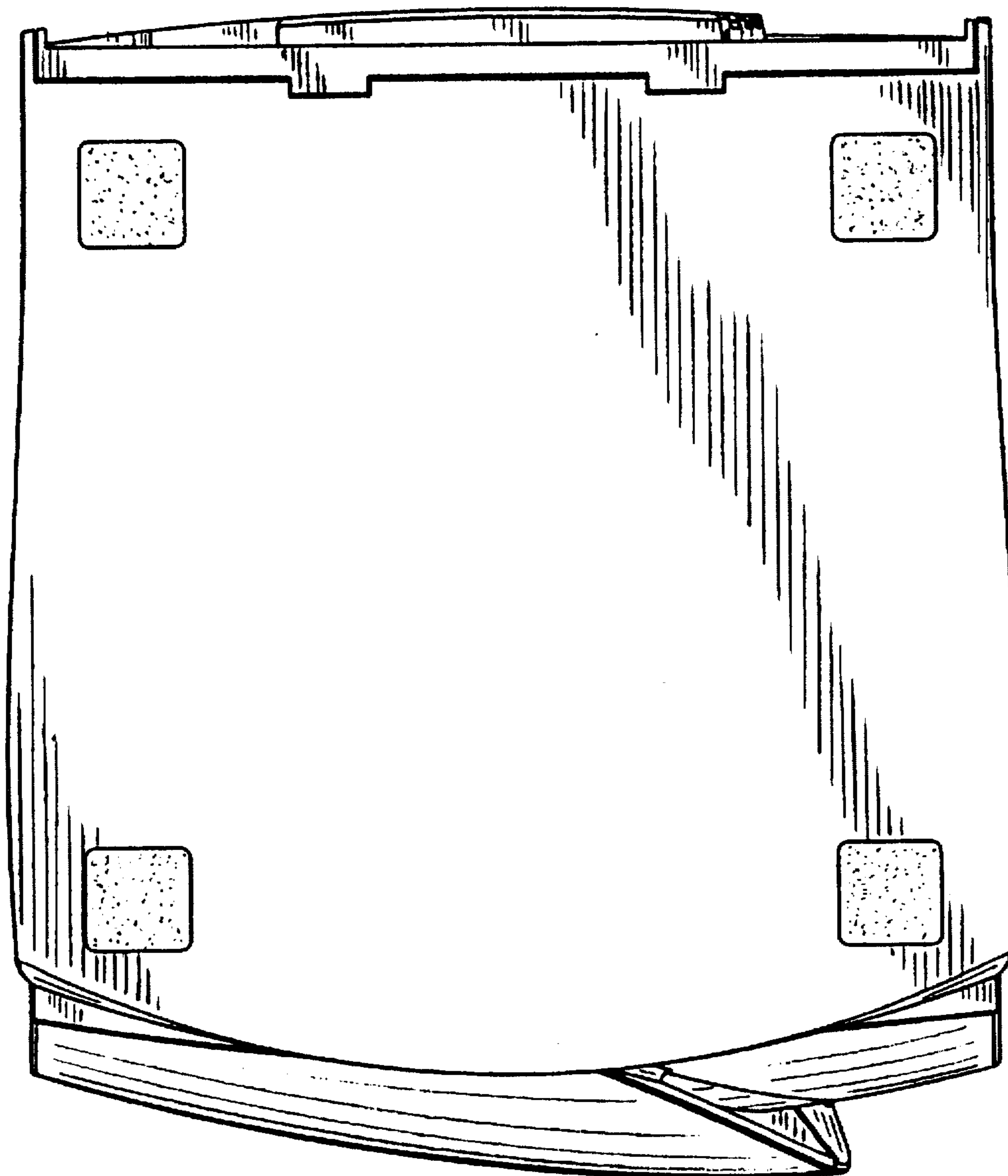


**FIG. 6**



**FIG. 7**





**FIG. 8**