



US00D396695S

United States Patent [19]
Shen

[11] **Patent Number: Des. 396,695**

[45] **Date of Patent: **Aug. 4, 1998**

[54] **ADAPTER**

5,006,077 4/1991 Loose et al. 439/395 X
5,205,758 4/1993 Comerci et al. 439/535

[75] **Inventor: Kuei-Hsien Shen, Taipei Hsien, Taiwan**

Primary Examiner—M. H. Tung
Assistant Examiner—Lavone D. Tabor
Attorney, Agent, or Firm—Bacon & Thomas

[73] **Assignee: Lantek Electronics Inc., Taiwan**

[**] **Term: 14 Years**

[57] **CLAIM**

[21] **Appl. No.: 74,915**

The ornametal design for an adapter, as shown and described.

[22] **Filed: Aug. 4, 1997**

DESCRIPTION

[51] **LOC (6) Cl. 13-03**

[52] **U.S. Cl. D13/147**

[58] **Field of Search D13/133, 146,
D13/147; 439/395, 535, 540.1, 578-583;
307/113, 132 M; 333/100, 112, 124; 348/5.5;
D14/217, 299**

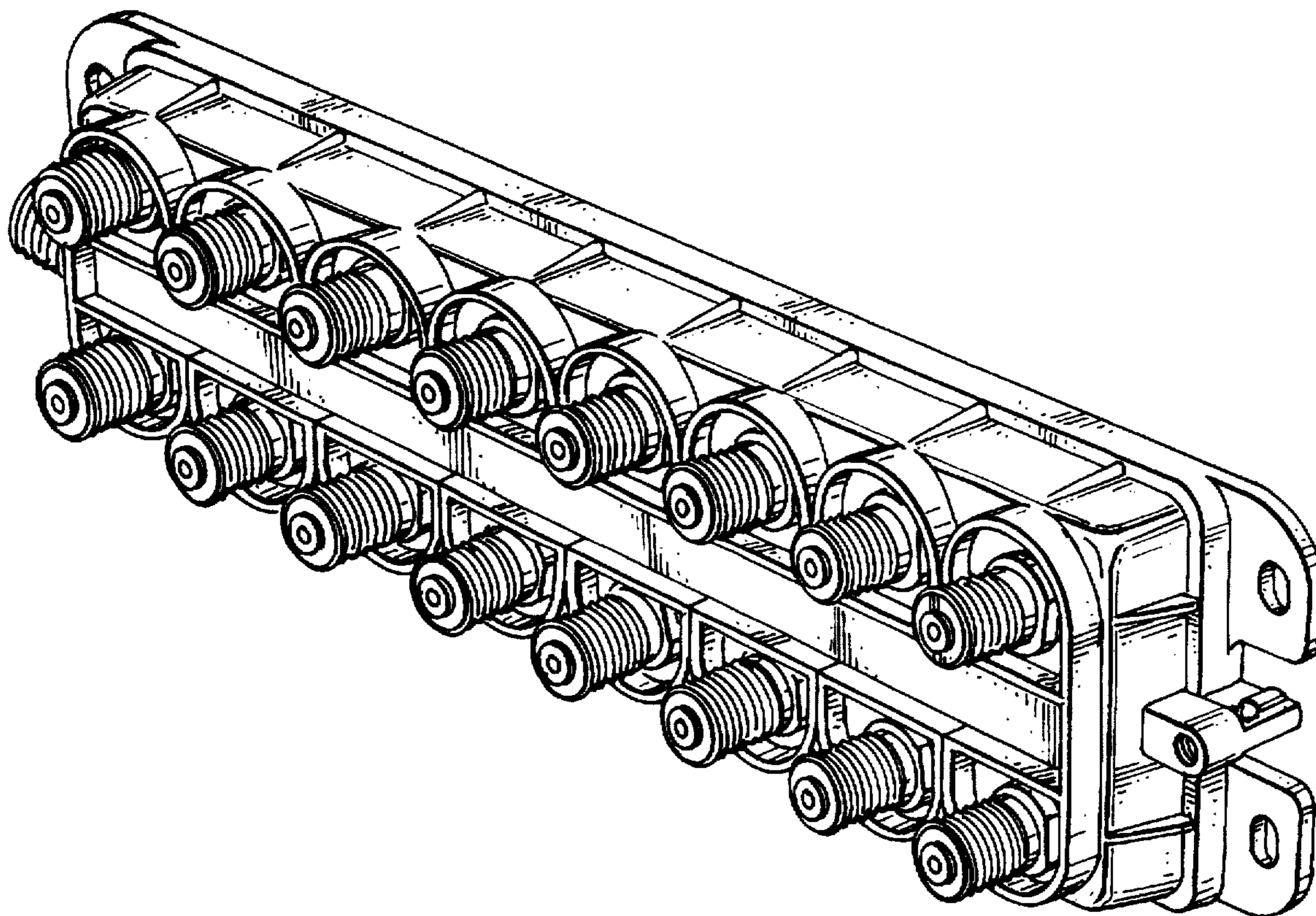
FIG. 1 is a perspective view of adapter showing my new design;
FIG. 2 is a front elevational view thereof;
FIG. 3 is a rear elevational view thereof;
FIG. 4 is a left side elevational view thereof;
FIG. 5 is a right side elevational view thereof;
FIG. 6 is a top plan view thereof; and,
FIG. 7 is a bottom plan view thereof.

[56] **References Cited**

U.S. PATENT DOCUMENTS

D. 326,265 5/1992 Freadman D12/217

1 Claim, 3 Drawing Sheets



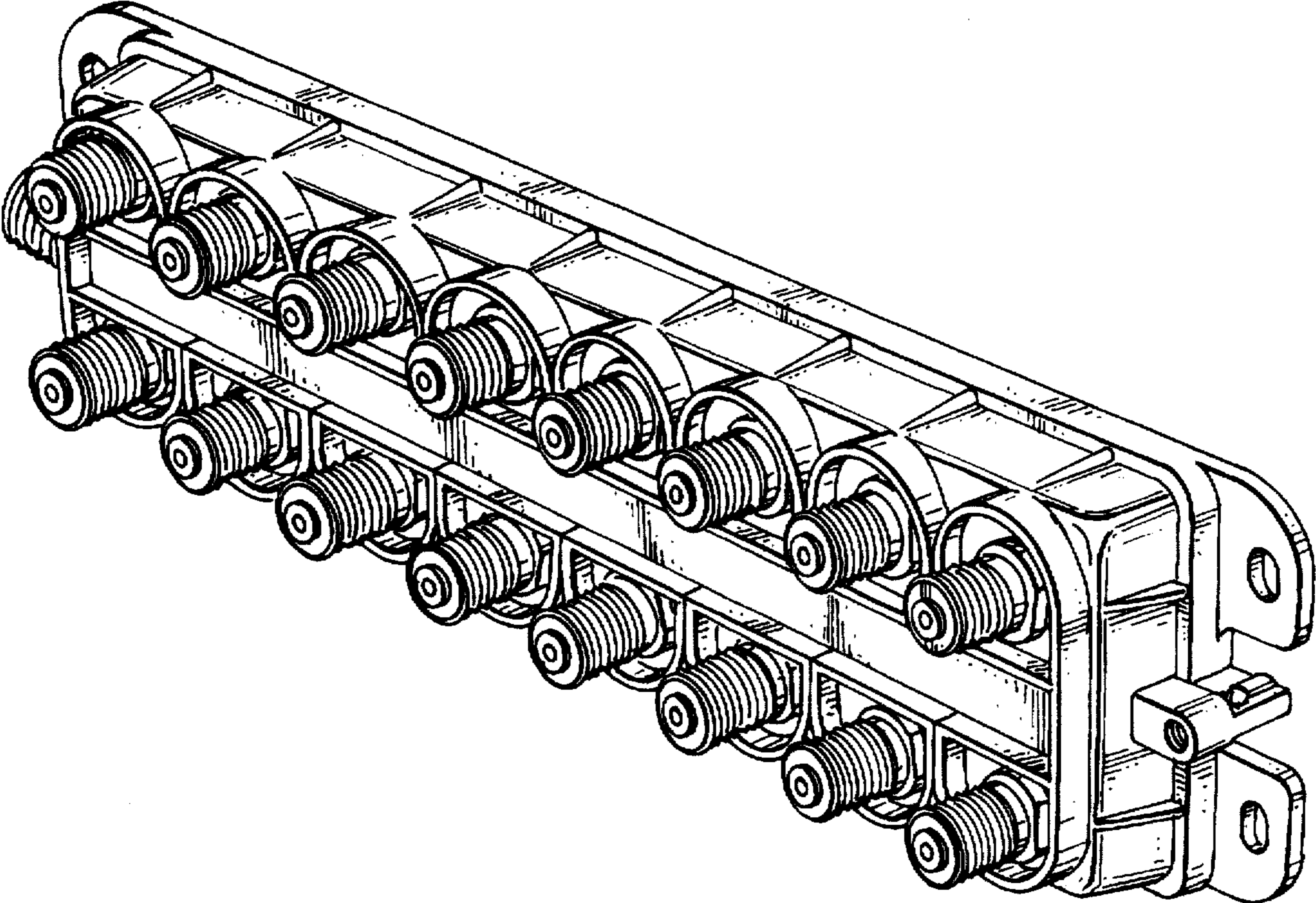


FIG. 1

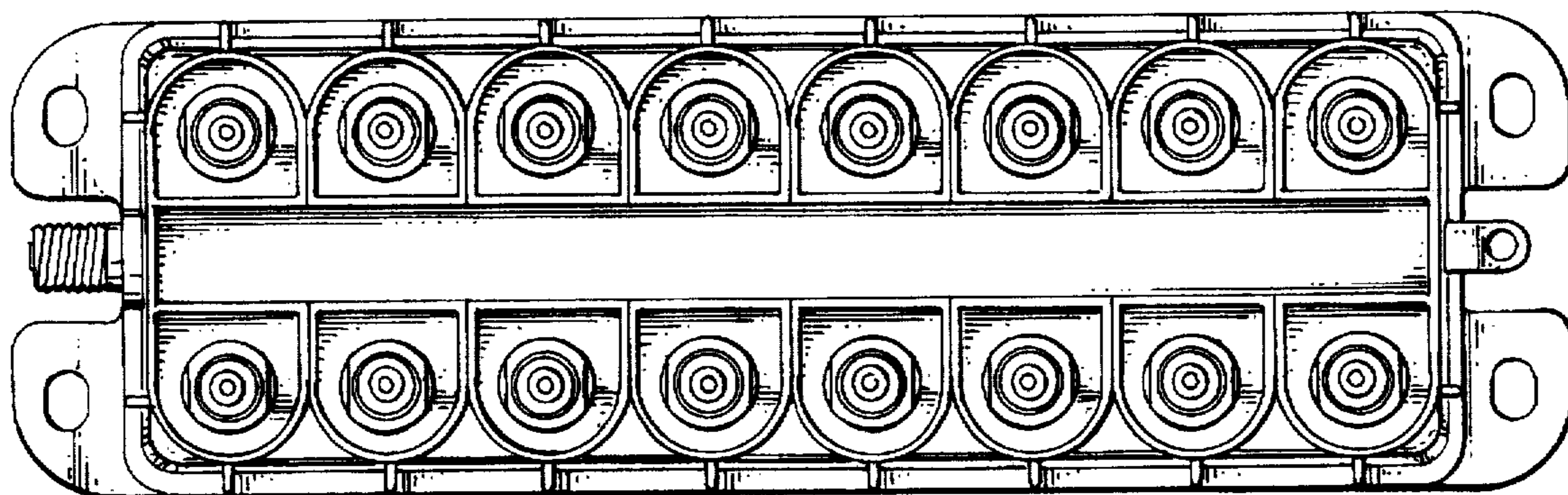


FIG. 2

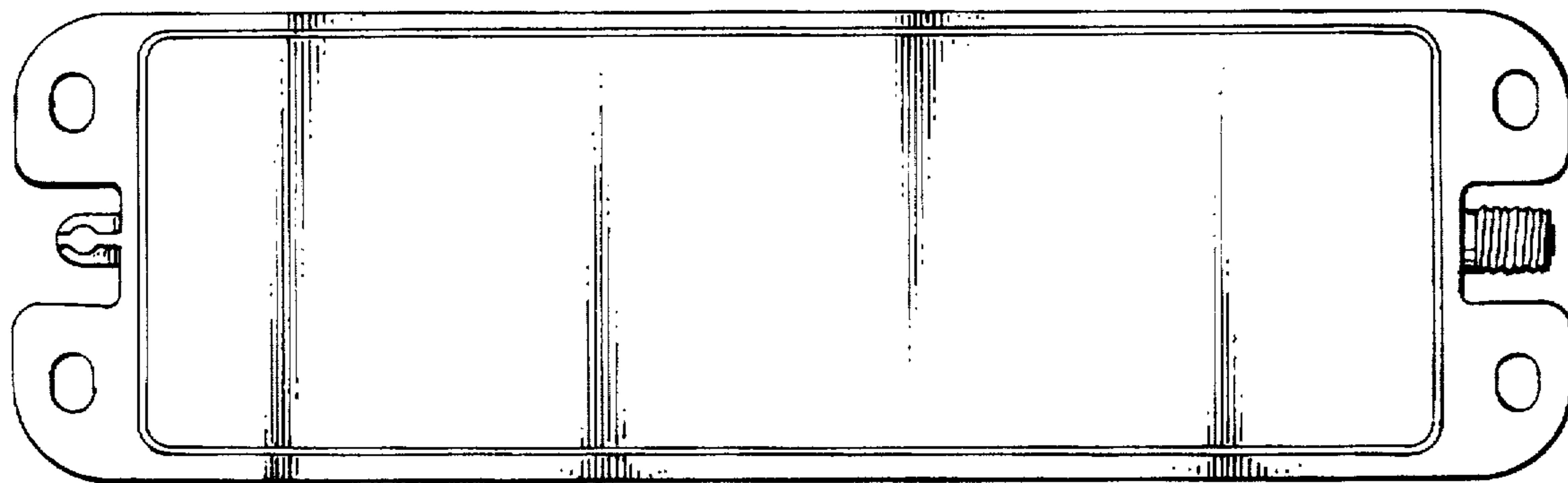


FIG. 3

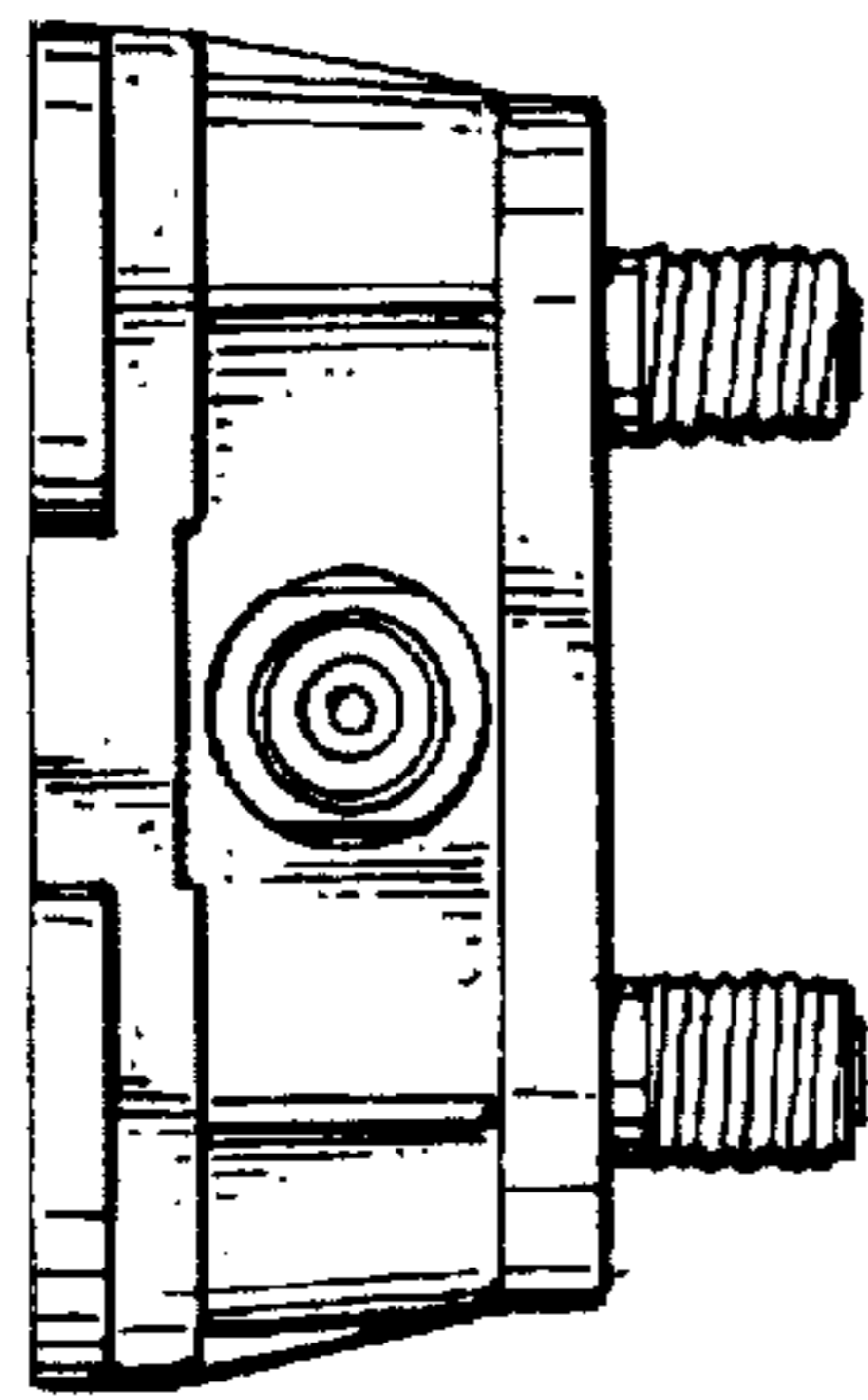


FIG. 4

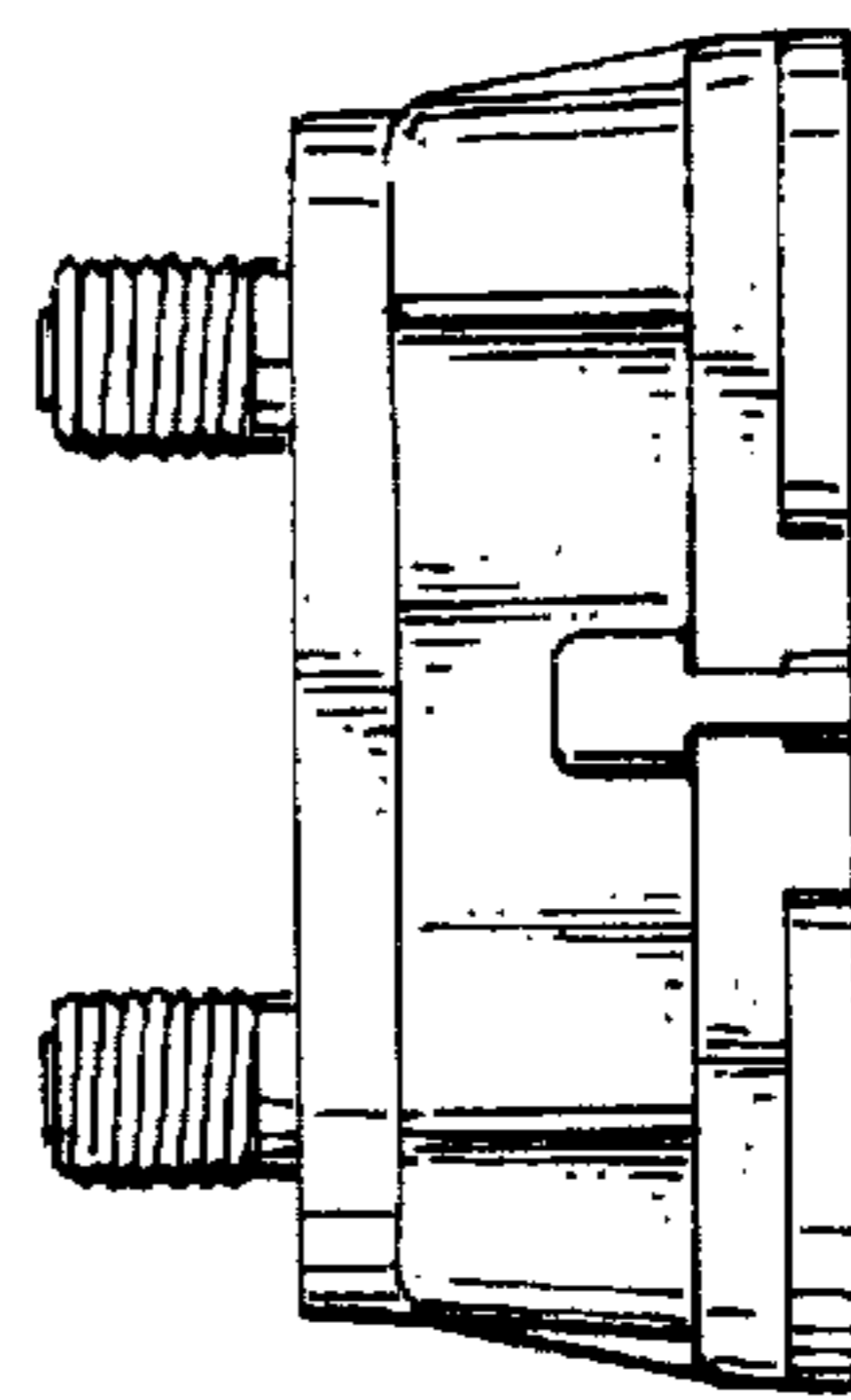


FIG. 5

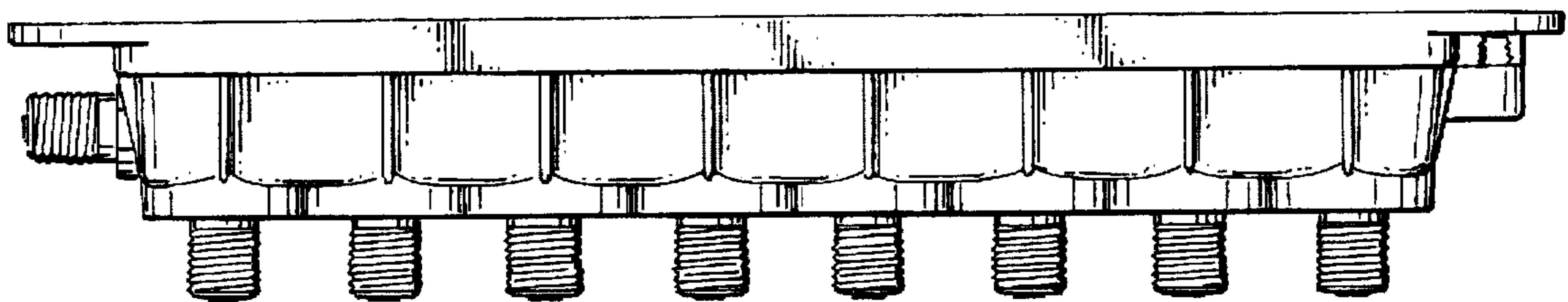


FIG. 6

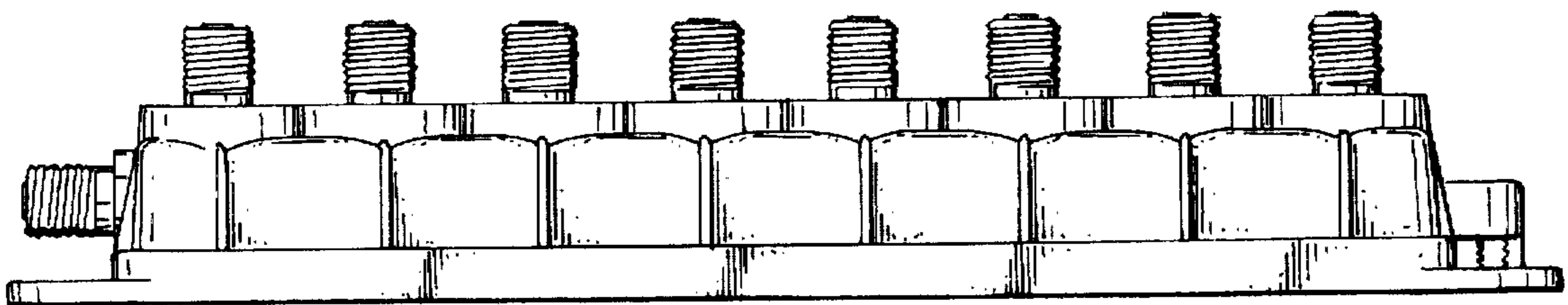


FIG. 7