



US00D396693S

United States Patent [19]

Shen

[11] Patent Number: **Des. 396,693**

[45] Date of Patent: ****Aug. 4, 1998**

[54] **ADAPTER**

4,887,979 12/1989 Jacobs 439/578

[75] Inventor: **Kuei-Hsien Shen, Taipei Hsien, Taiwan**

*Primary Examiner—M. H. Tung
Assistant Examiner—Lavone Tabor
Attorney, Agent, or Firm—Bacon & Thomas*

[73] Assignee: **Lantek Electronics Inc., Taipei, Taiwan**

[**] Term: **14 Years**

[57] **CLAIM**

[21] Appl. No.: **74,913**

The ornamental design for an adapter, as shown and described.

[22] Filed: **Aug. 4, 1997**

DESCRIPTION

[51] LOC (6) Cl. **13-03**

FIG. 1 is a perspective view of adapter showing my new design;

[52] U.S. Cl. **D13/147**

FIG. 2 is a front elevational view thereof;

[58] Field of Search **D13/133, 146,**

FIG. 3 is a rear elevational view thereof;

D13/147; 439/535, 540.1, 578-583; 307/113,
132 M; 333/100, 112, 124; 348/5.5

FIG. 4 is a left side elevational view thereof, the right side being a mirror image;

[56] **References Cited**

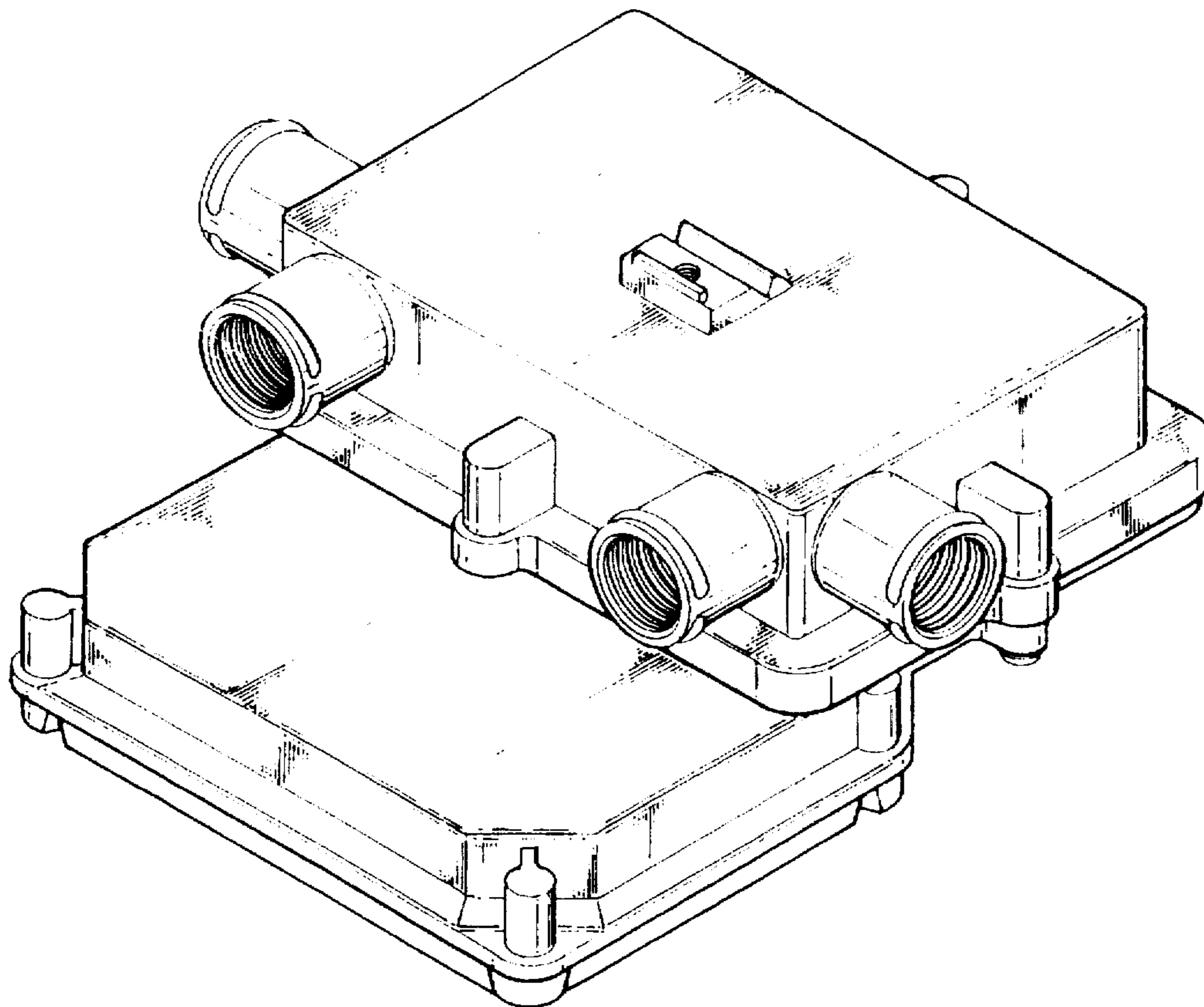
FIG. 5 is a top plan view thereof; and,

U.S. PATENT DOCUMENTS

FIG. 6 is a bottom plan view thereof.

3,641,464 2/1972 Crowhurst et al. 333/112
4,226,495 10/1980 Palle et al. 439/535

1 Claim, 4 Drawing Sheets



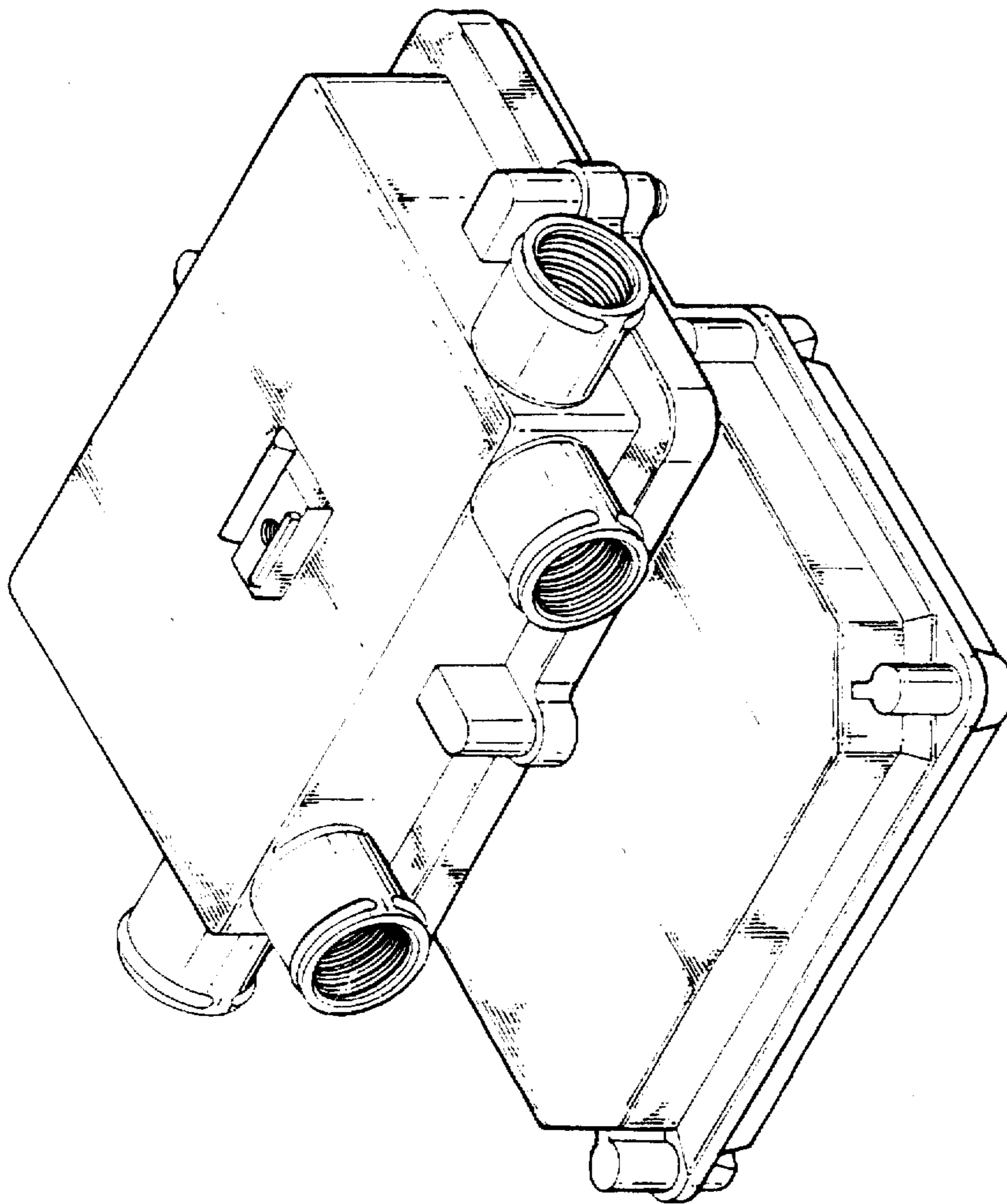


FIG 1

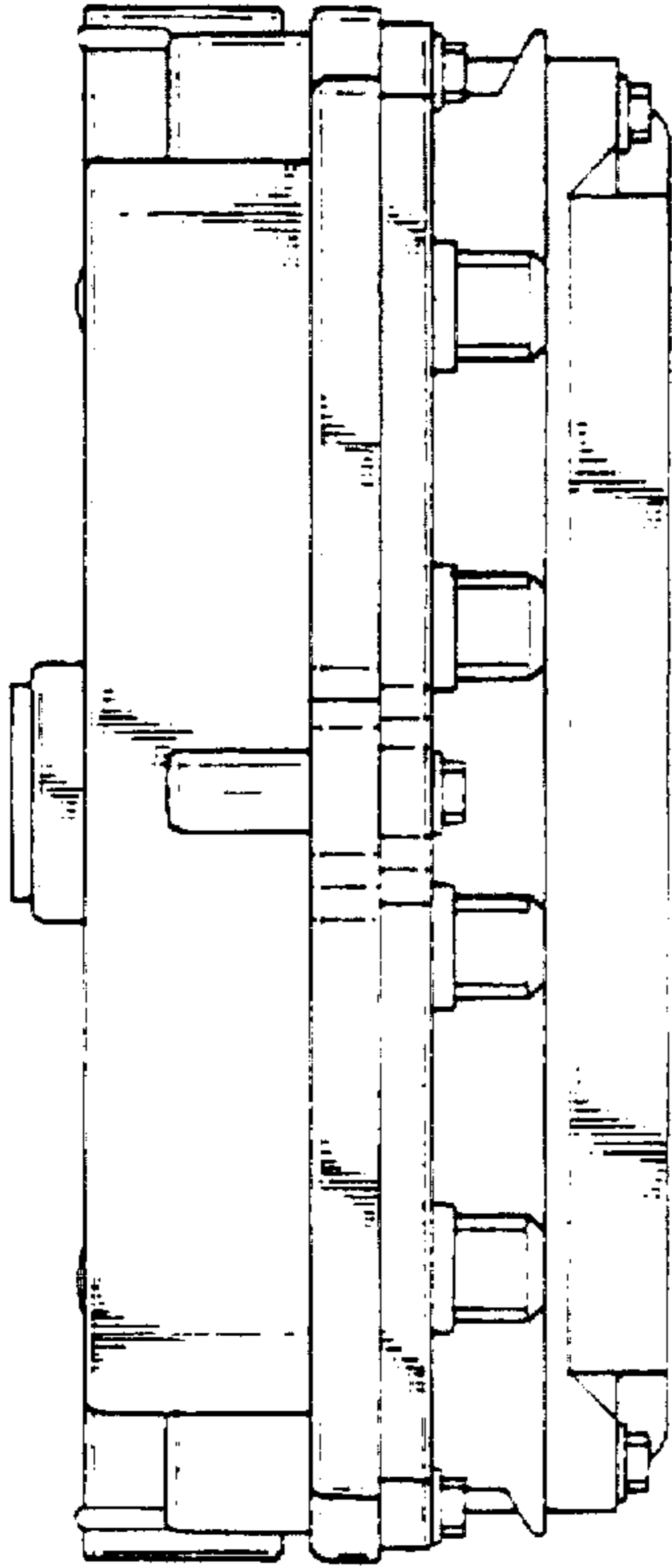


FIG 3

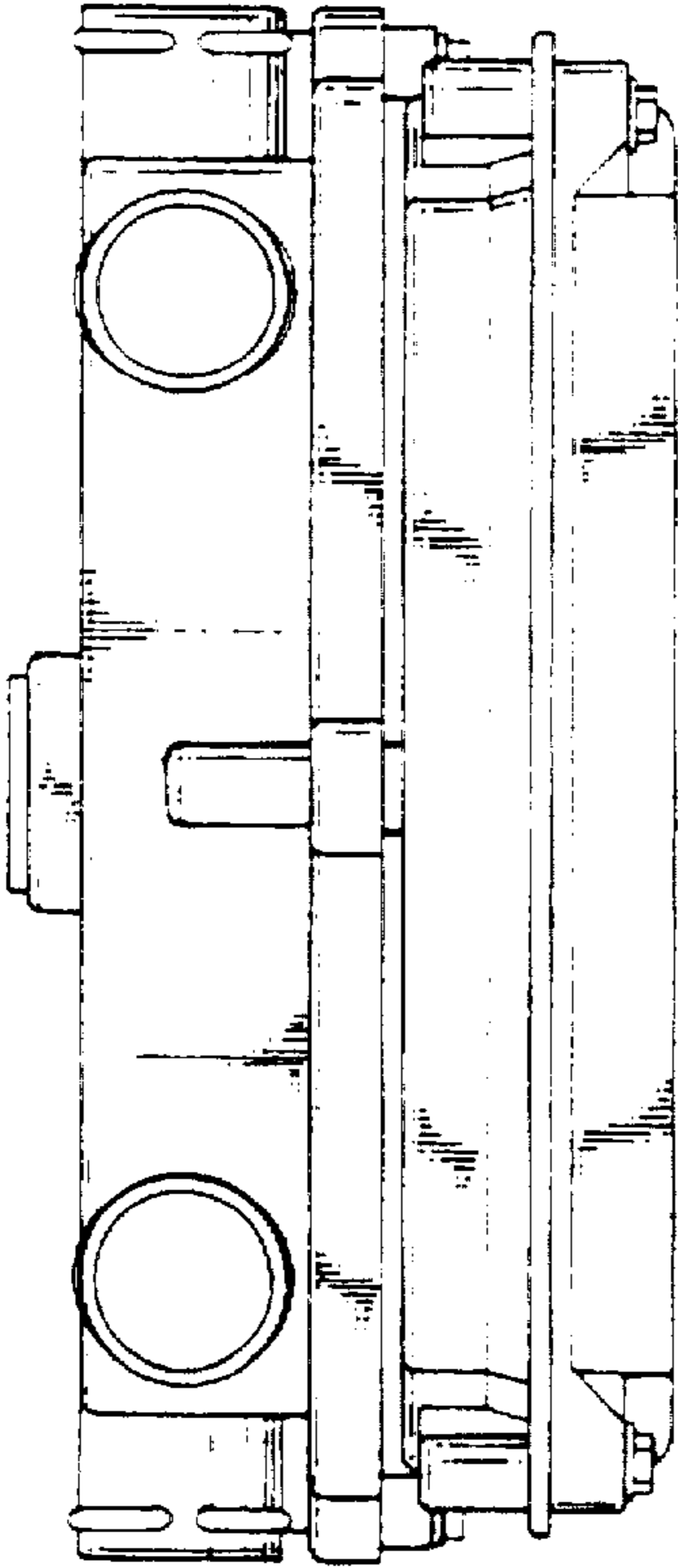


FIG 2

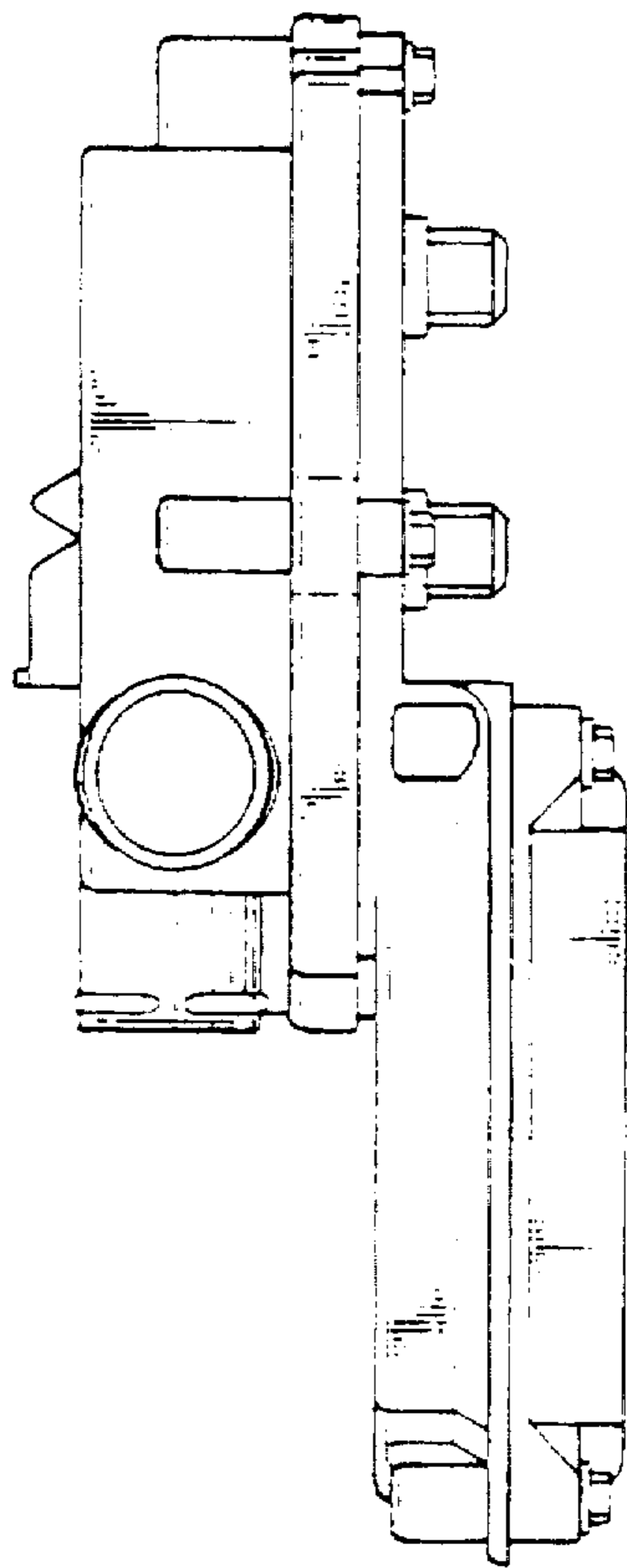


FIG 4

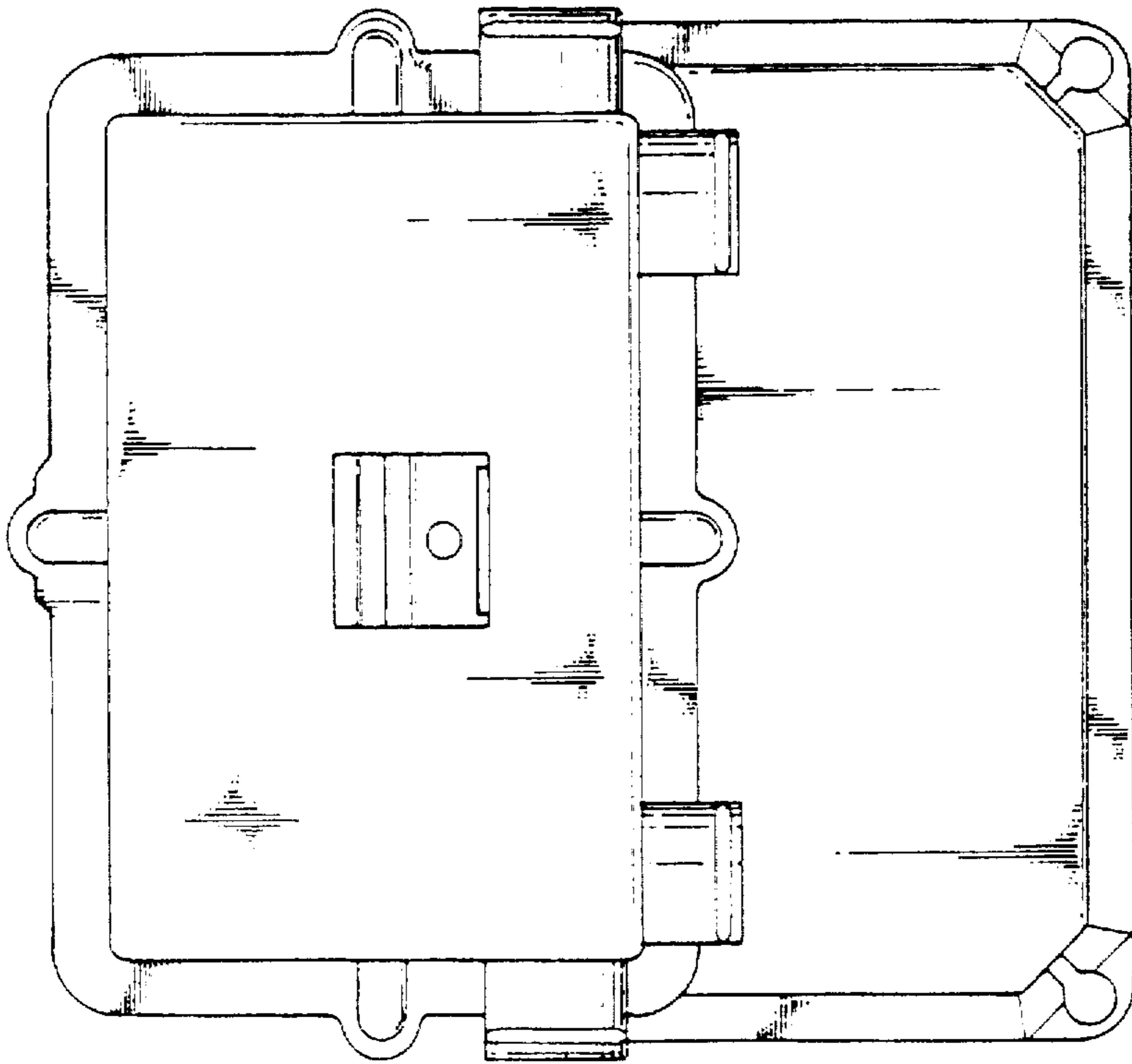


FIG 5

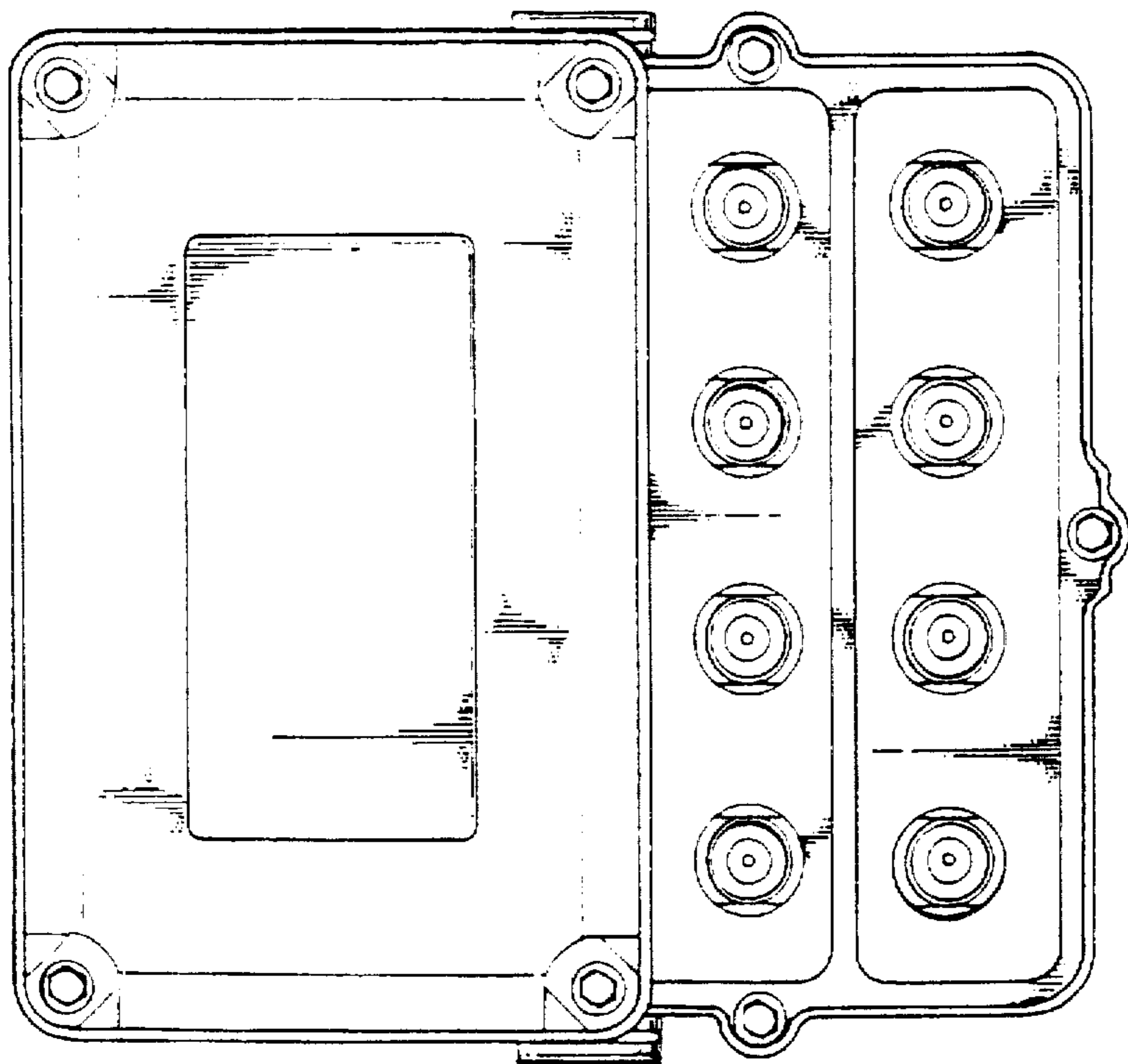


FIG 6