



US00D396692S

United States Patent [19] Shen

[11] Patent Number: **Des. 396,692**
[45] Date of Patent: ****Aug. 4, 1998**

[54] **ADAPTER**

[75] Inventor: **Kuei-Hsien Shen**, Taipei Hsien, Taiwan

[73] Assignee: **Lantek Electronics Inc.**, Taipei, Taiwan

[**] Term: **14 Years**

[21] Appl. No.: **74,912**

[22] Filed: **Aug. 4, 1997**

[51] LOC (6) Cl. **13-03**

[52] U.S. Cl. **D13/147**

[58] Field of Search **D13/133, 146, 132 M; 333/100, 112, 124; 348/5.5**

[56] **References Cited**

U.S. PATENT DOCUMENTS

4,963,966 10/1990 Harney et al. 348/5.5
5,581,134 12/1996 Romerein et al. 307/132 M

5,675,300 10/1997 Romerein 333/100

Primary Examiner—M. H. Tung
Assistant Examiner—Lavone D. Tabor
Attorney, Agent, or Firm—Bacon & Thomas

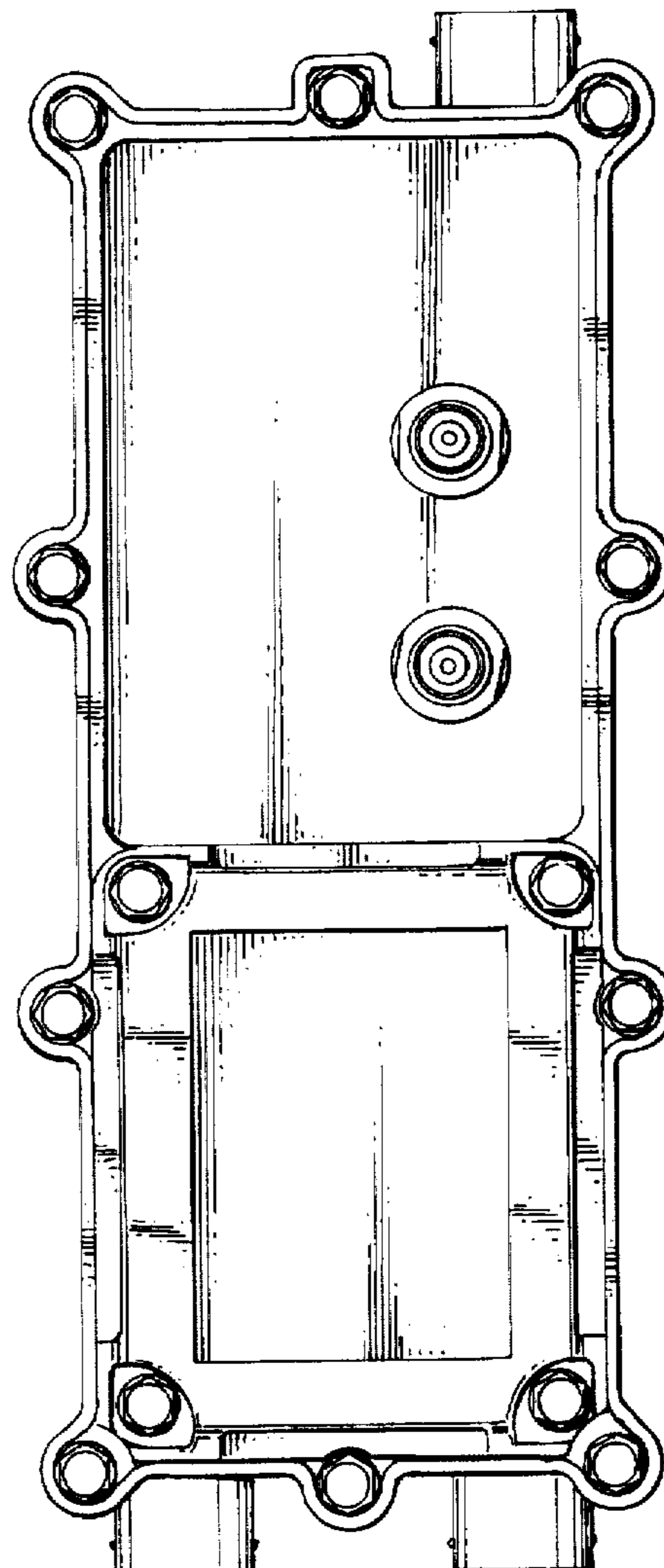
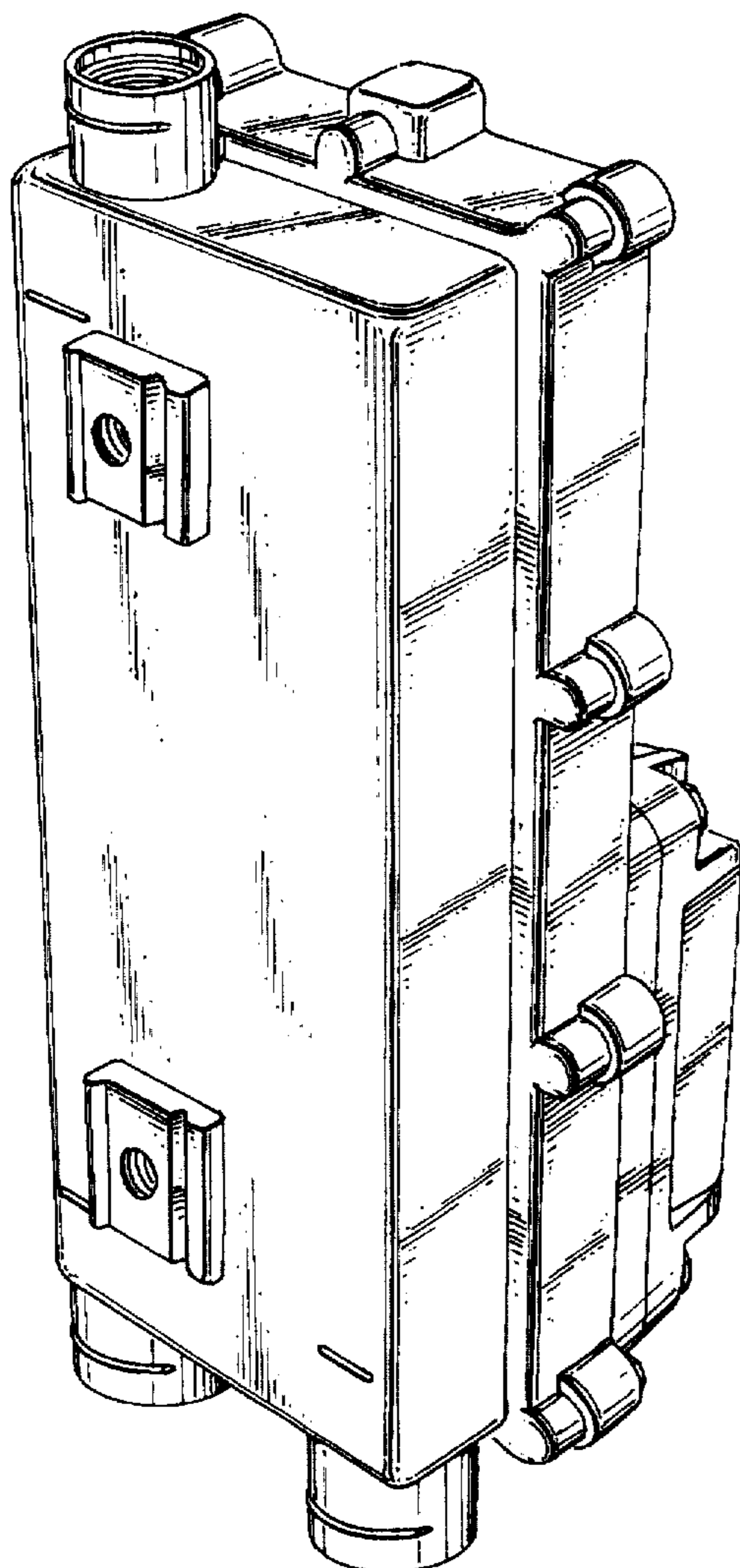
[57] **CLAIM**

The ornamental design for an adapter, as shown and described.

DESCRIPTION

FIG. 1 is a perspective view of adapter showing my new design;
FIG. 2 is a front elevational view thereof;
FIG. 3 is a rear elevational view thereof;
FIG. 4 is a left side elevational view thereof;
FIG. 5 is a right side elevational view thereof;
FIG. 6 is a top plan view thereof; and,
FIG. 7 is a bottom plan view thereof.

1 Claim, 4 Drawing Sheets



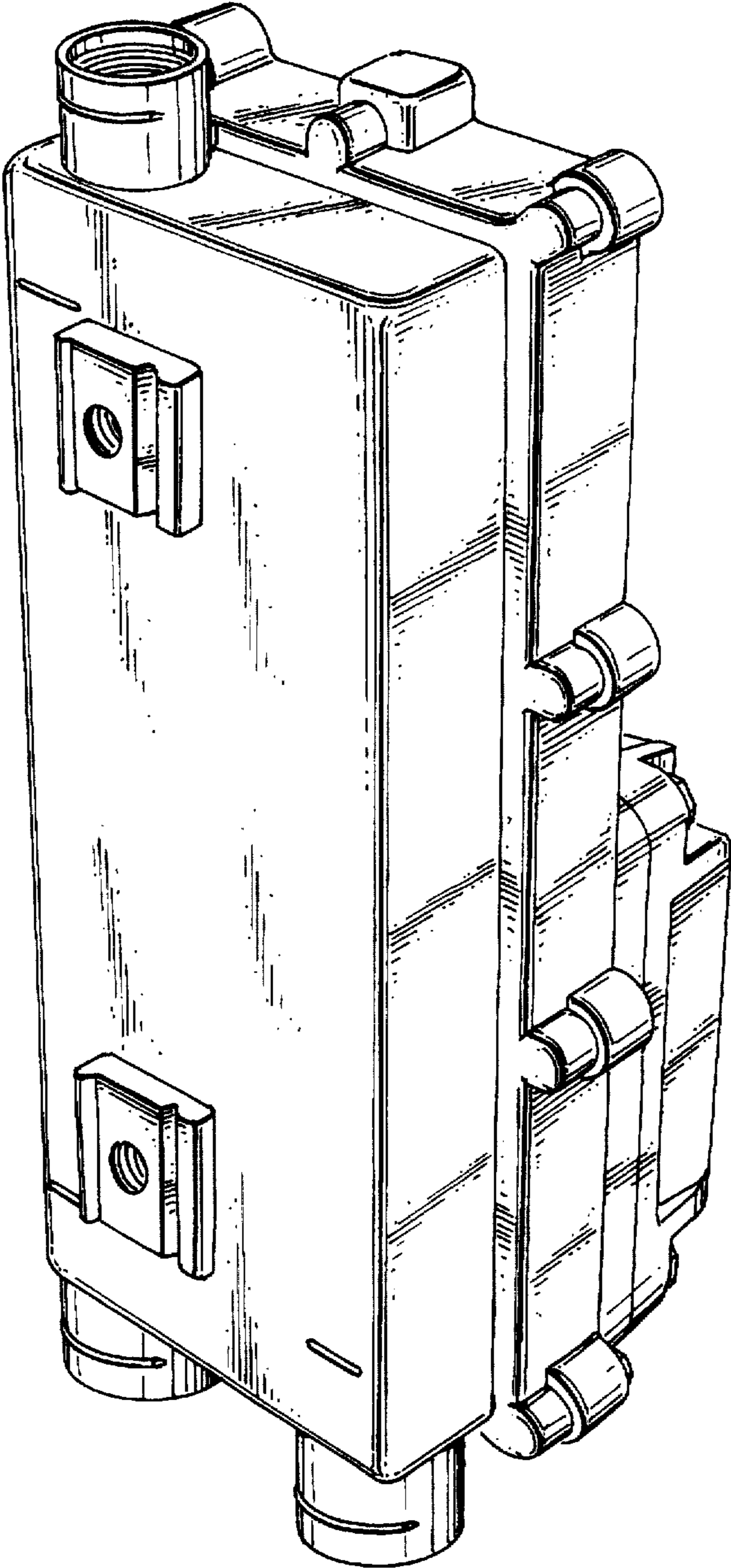


FIG. 1

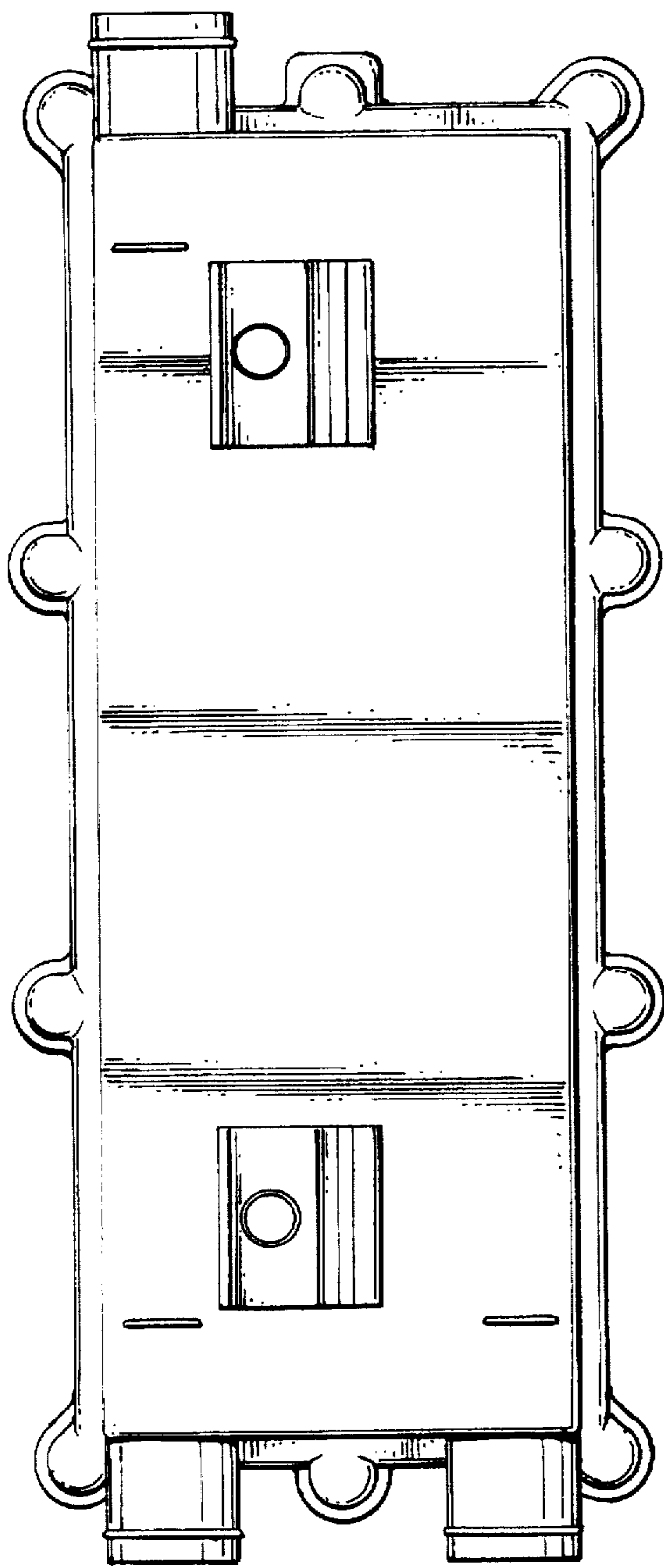


FIG. 2

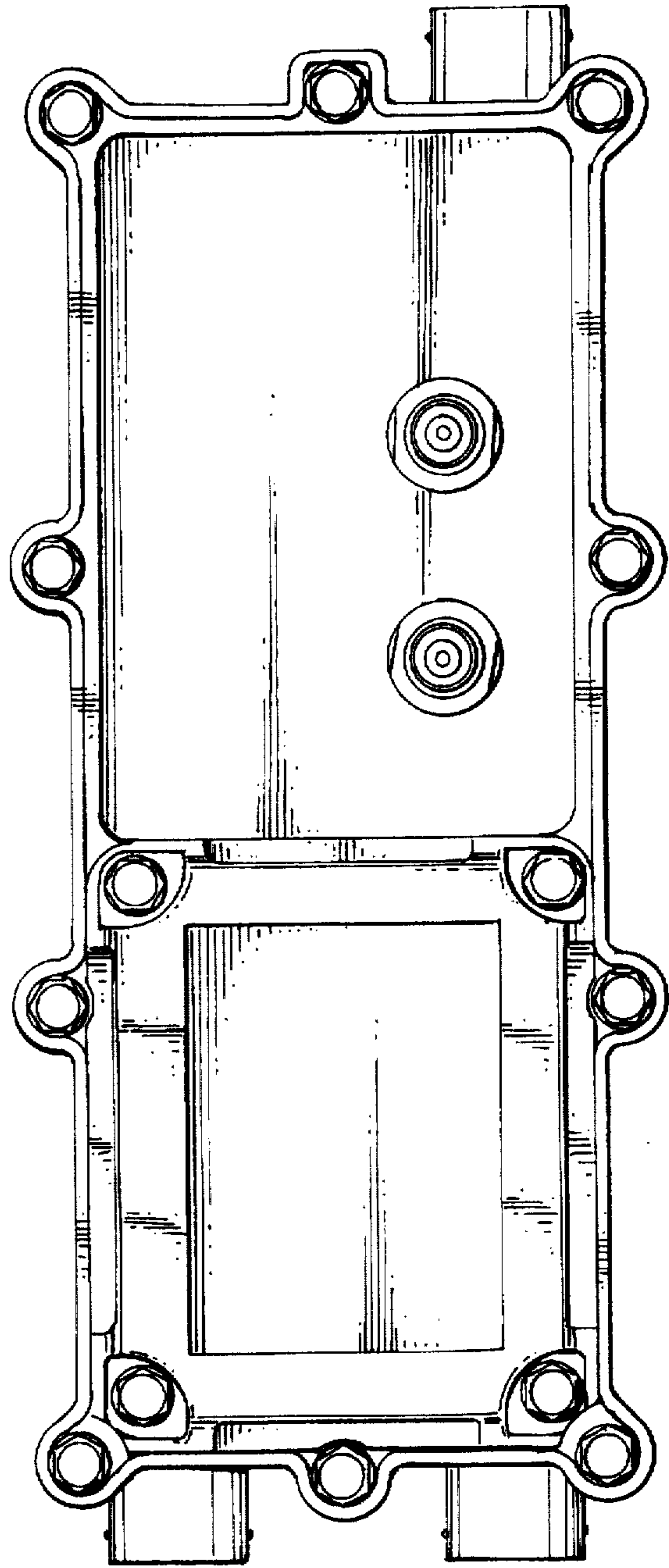


FIG. 3

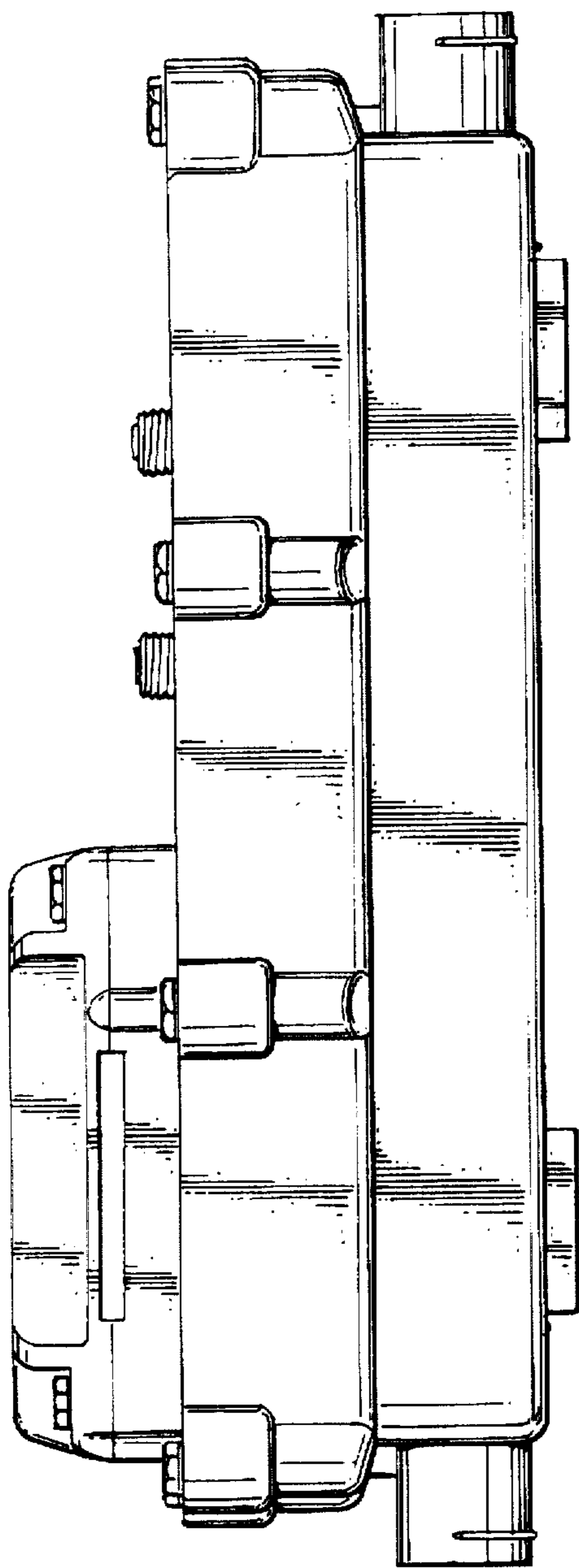


FIG. 4

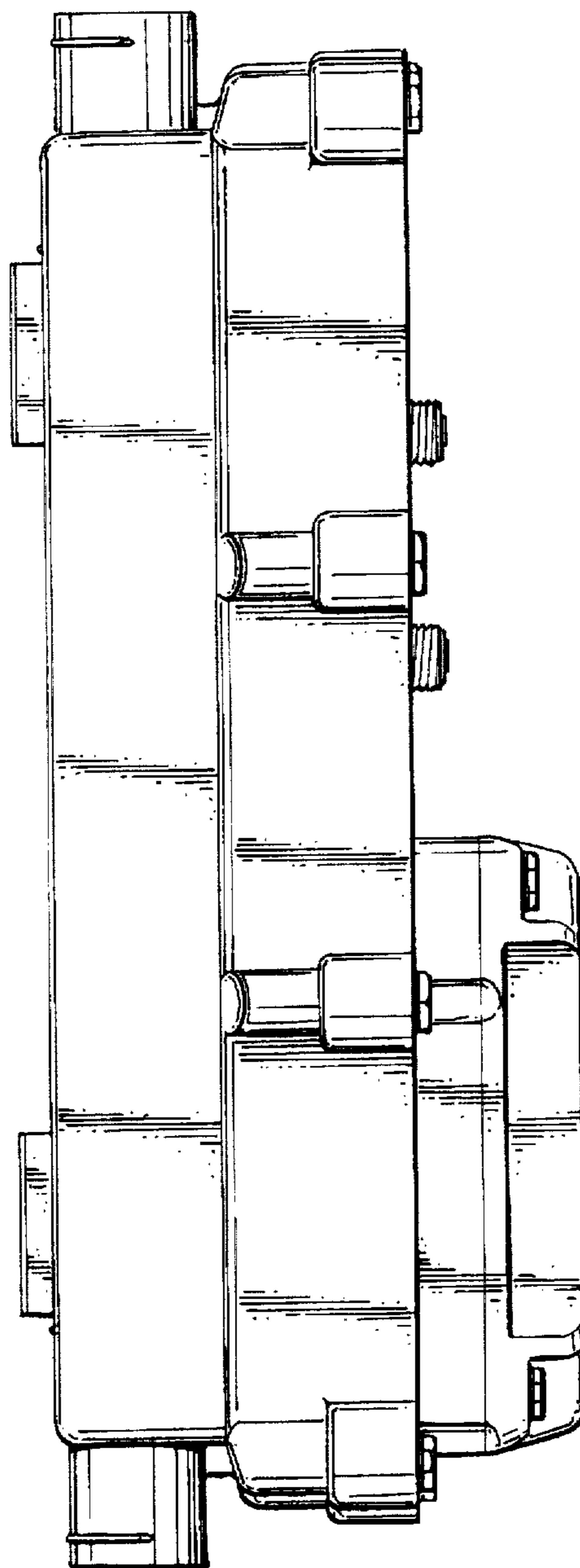


FIG. 5

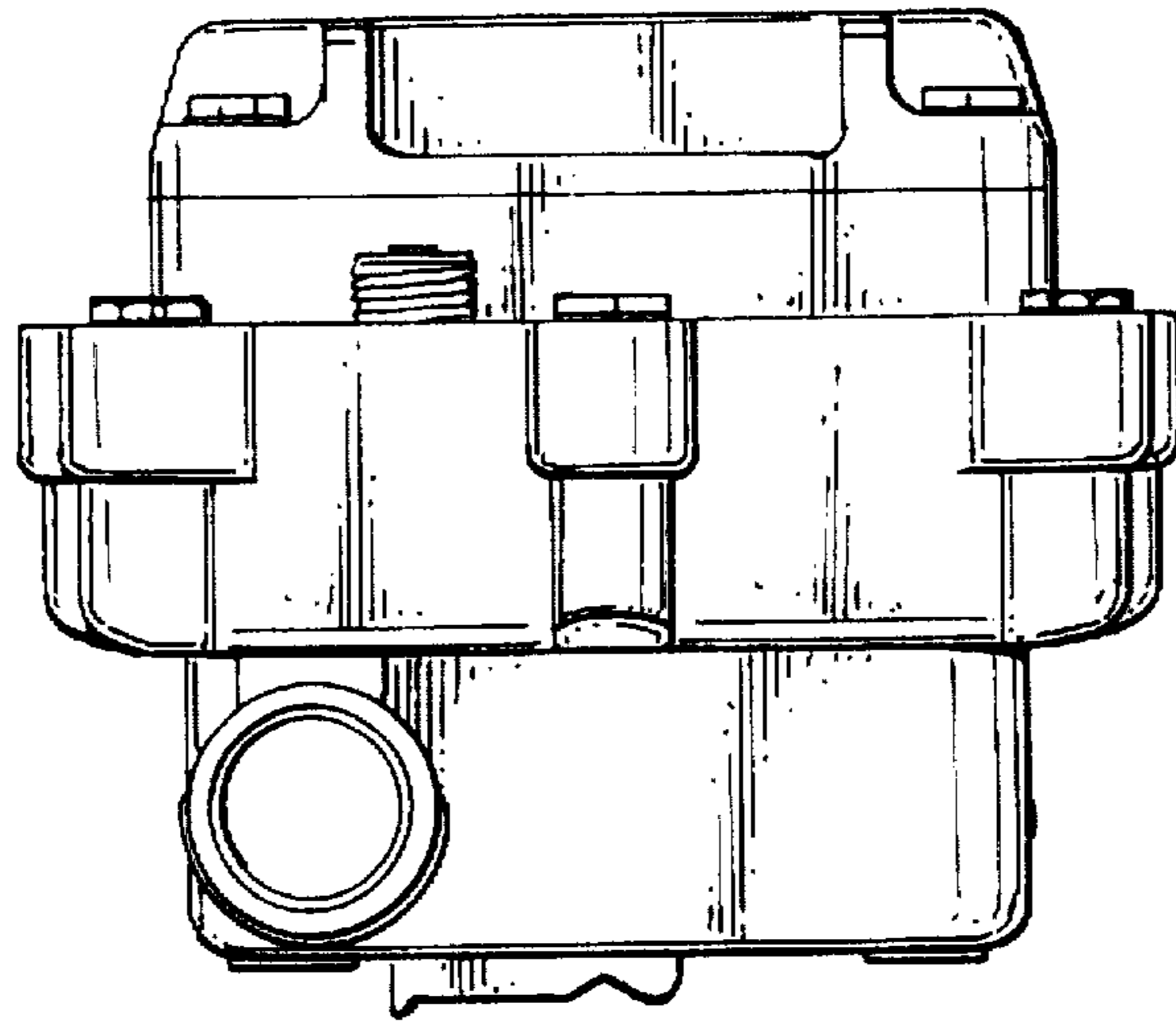


FIG. 6

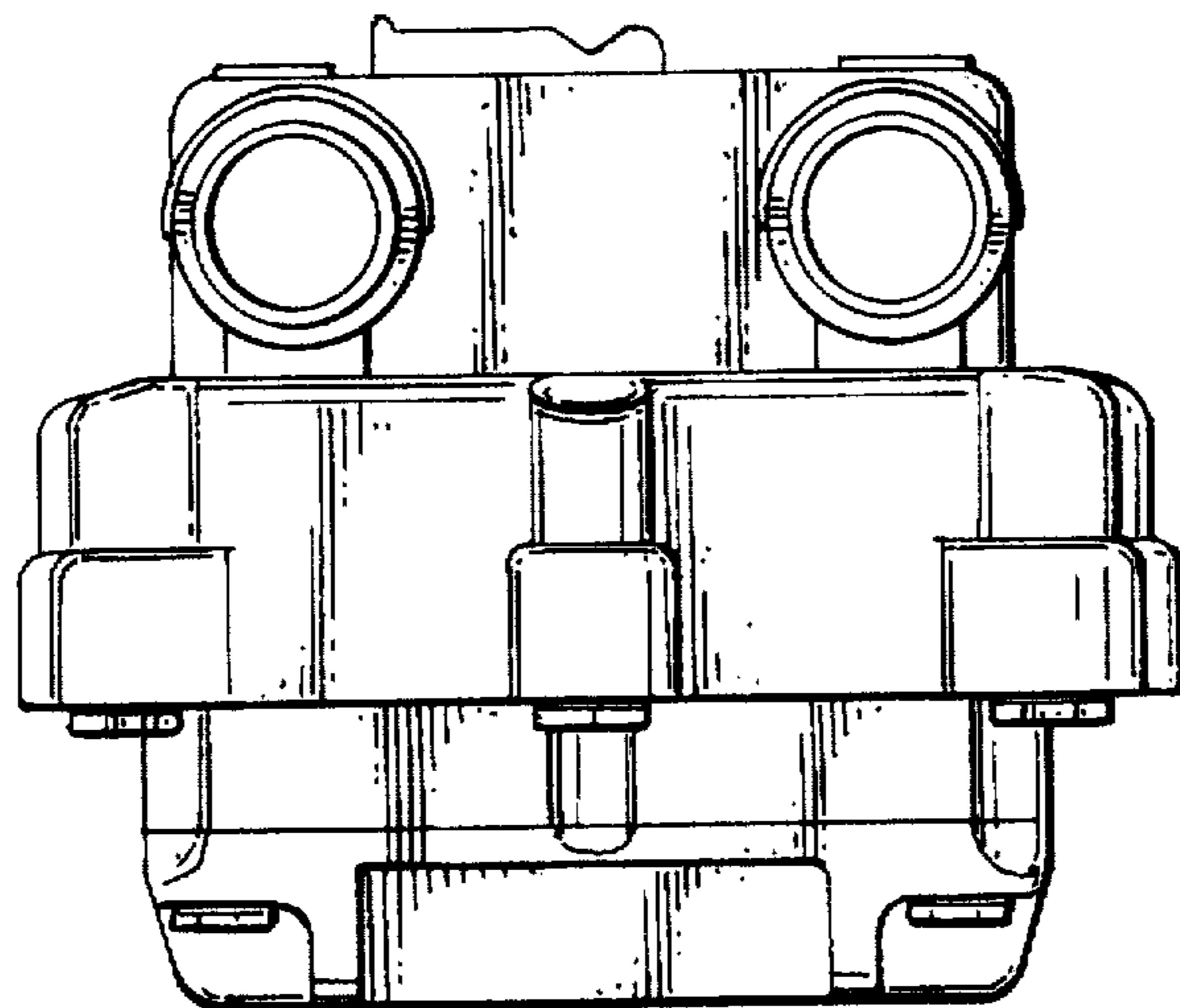


FIG. 7