



US00D396691S

United States Patent [19]

Shen

[11] Patent Number: **Des. 396,691**

[45] Date of Patent: ****Aug. 4, 1998**

[54] **ADAPTER**

[75] Inventor: **Kuei-Hsien Shen, Taipei Hsien, Taiwan**

[73] Assignee: **Lantek Electronics Inc., Taipei, Taiwan**

[**] Term: **14 Years**

[21] Appl. No.: **74,894**

[22] Filed: **Aug. 4, 1997**

[51] LOC (6) Cl. **13-03**

[52] U.S. Cl. **D13/147**

[58] Field of Search D13/133, 146,
D13/147; 439/535, 540.1, 578-583; 307/113,
132 M; 333/100, 112, 124; 348/5.5; D14/217,
299

[56] **References Cited**

U.S. PATENT DOCUMENTS

D. 301,239 5/1989 Chino D13/146 X

D. 301,240 5/1989 Chino D13/146 X
4,141,615 2/1979 Takeuchi et al. 439/578

Primary Examiner—M. H. Tung
Assistant Examiner—Lavone D. Tabor
Attorney, Agent, or Firm—Bacon & Thomas

[57] **CLAIM**

The ornamental design for an adapter, as shown and described.

DESCRIPTION

FIG. 1 is a perspective view of adapter showing my new design;

FIG. 2 is a front elevational view thereof;

FIG. 3 is a rear elevational view thereof;

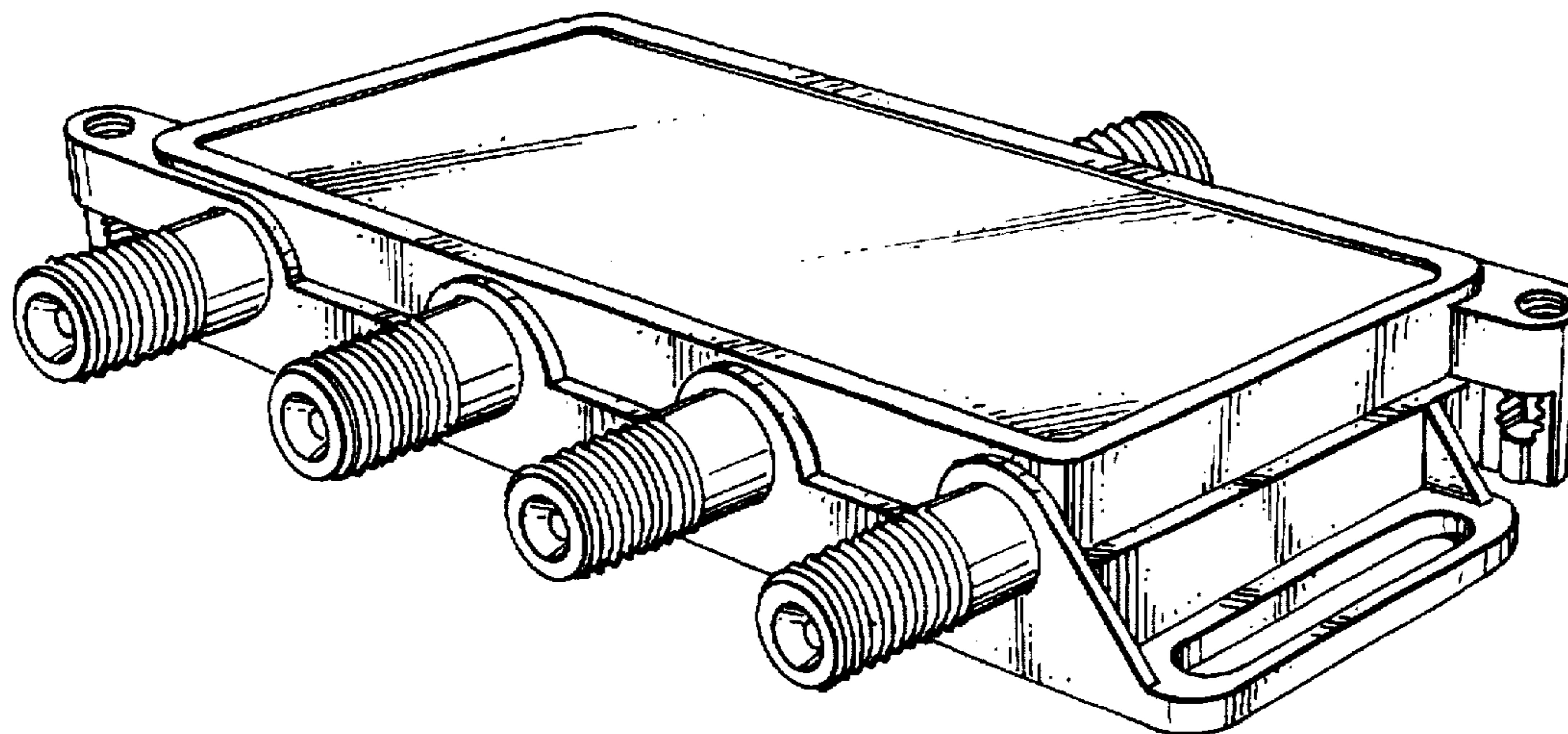
FIG. 4 is a left side elevational view thereof; the right side

elevational view is the same as the left side elevational view;

FIG. 5 is a top plan view thereof; and,

FIG. 6 is a bottom plan view thereof.

1 Claim, 3 Drawing Sheets



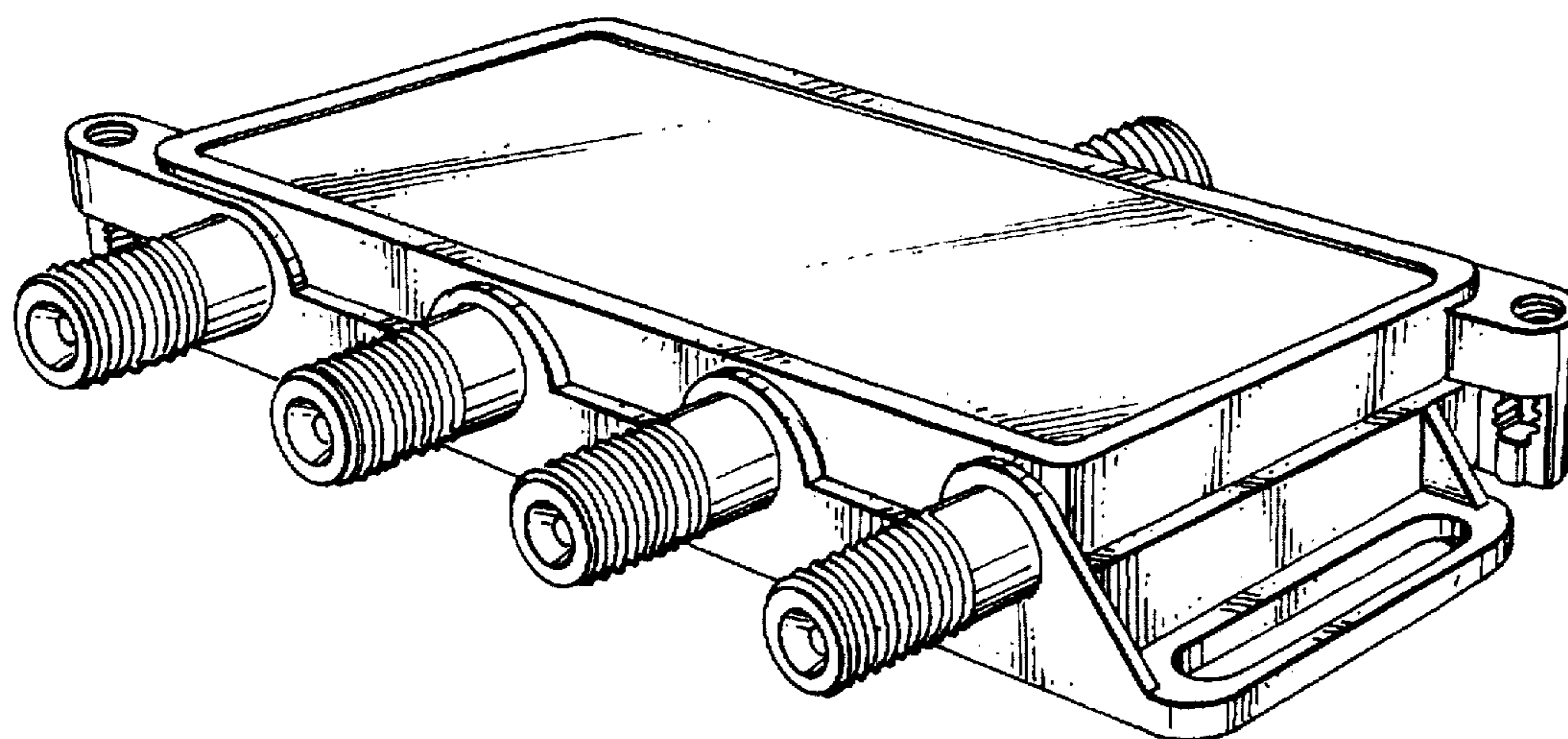


FIG. 1

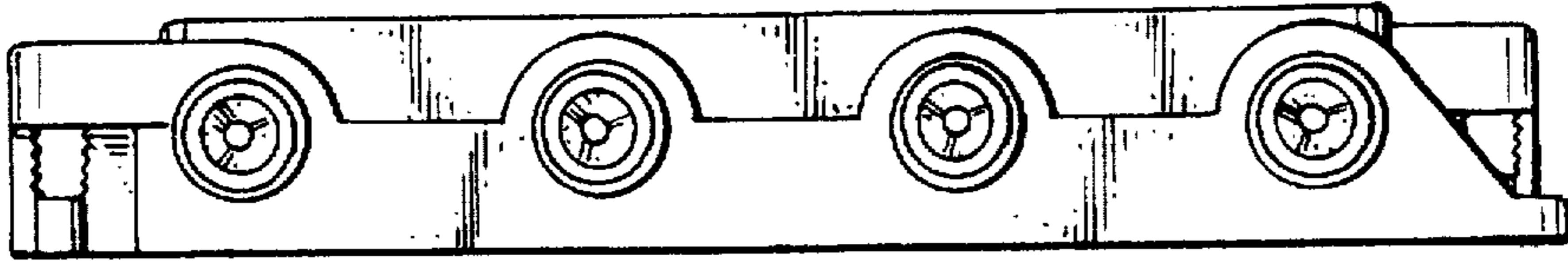


FIG. 2

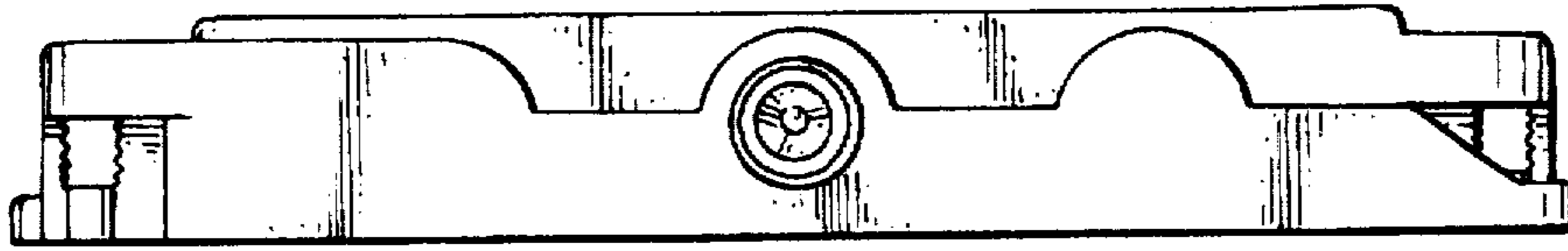


FIG. 3

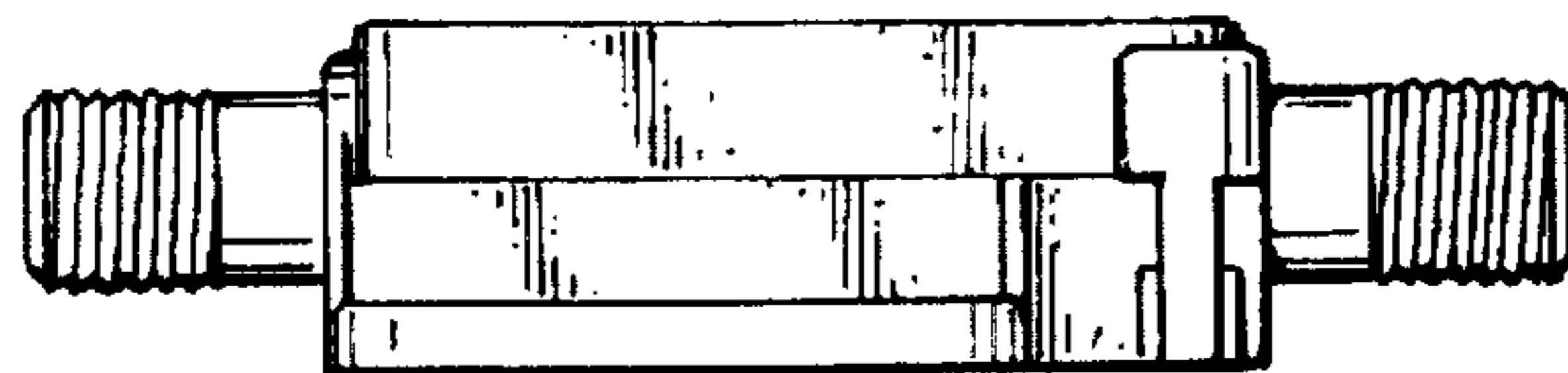


FIG. 4

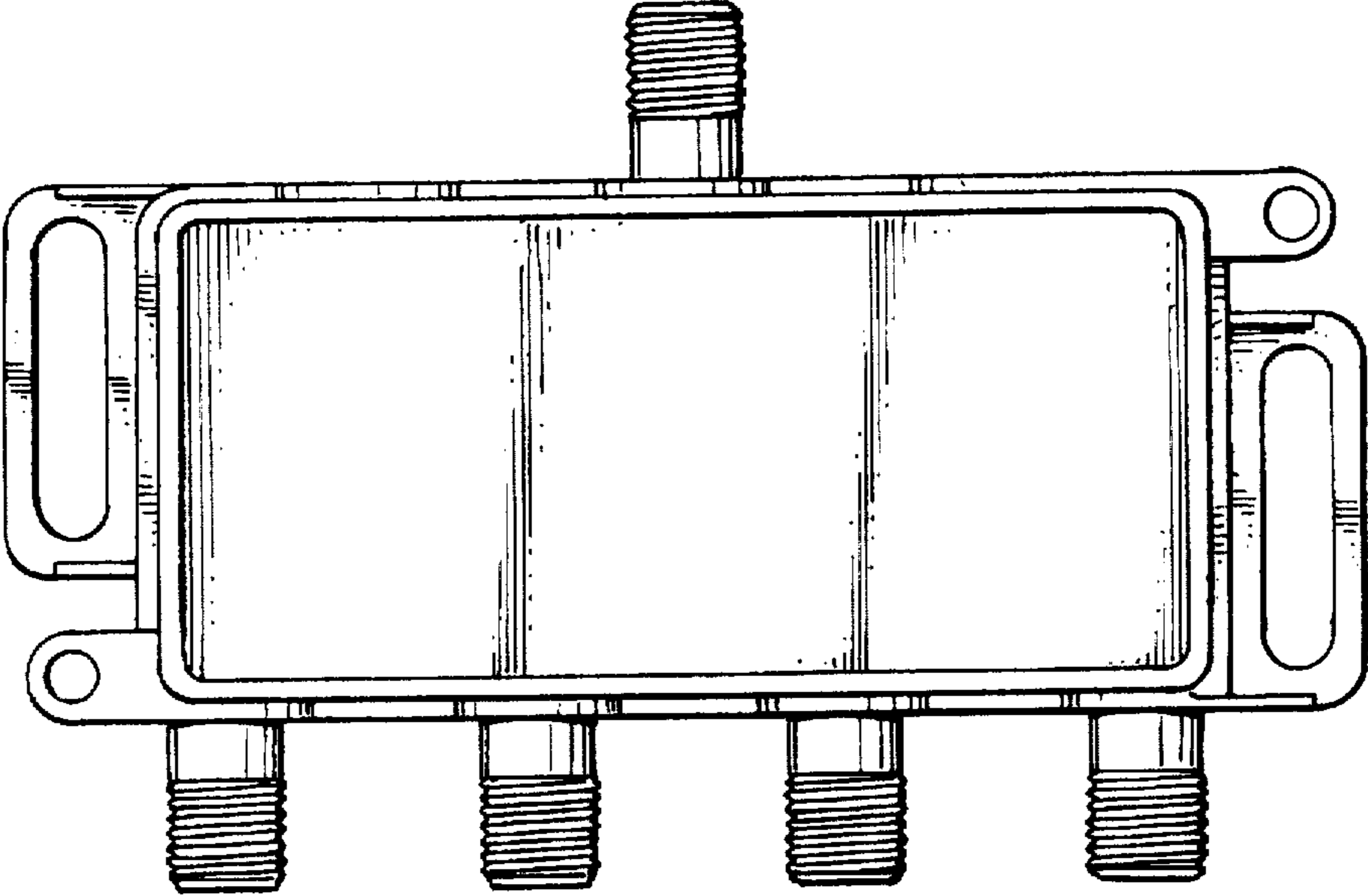


FIG. 5

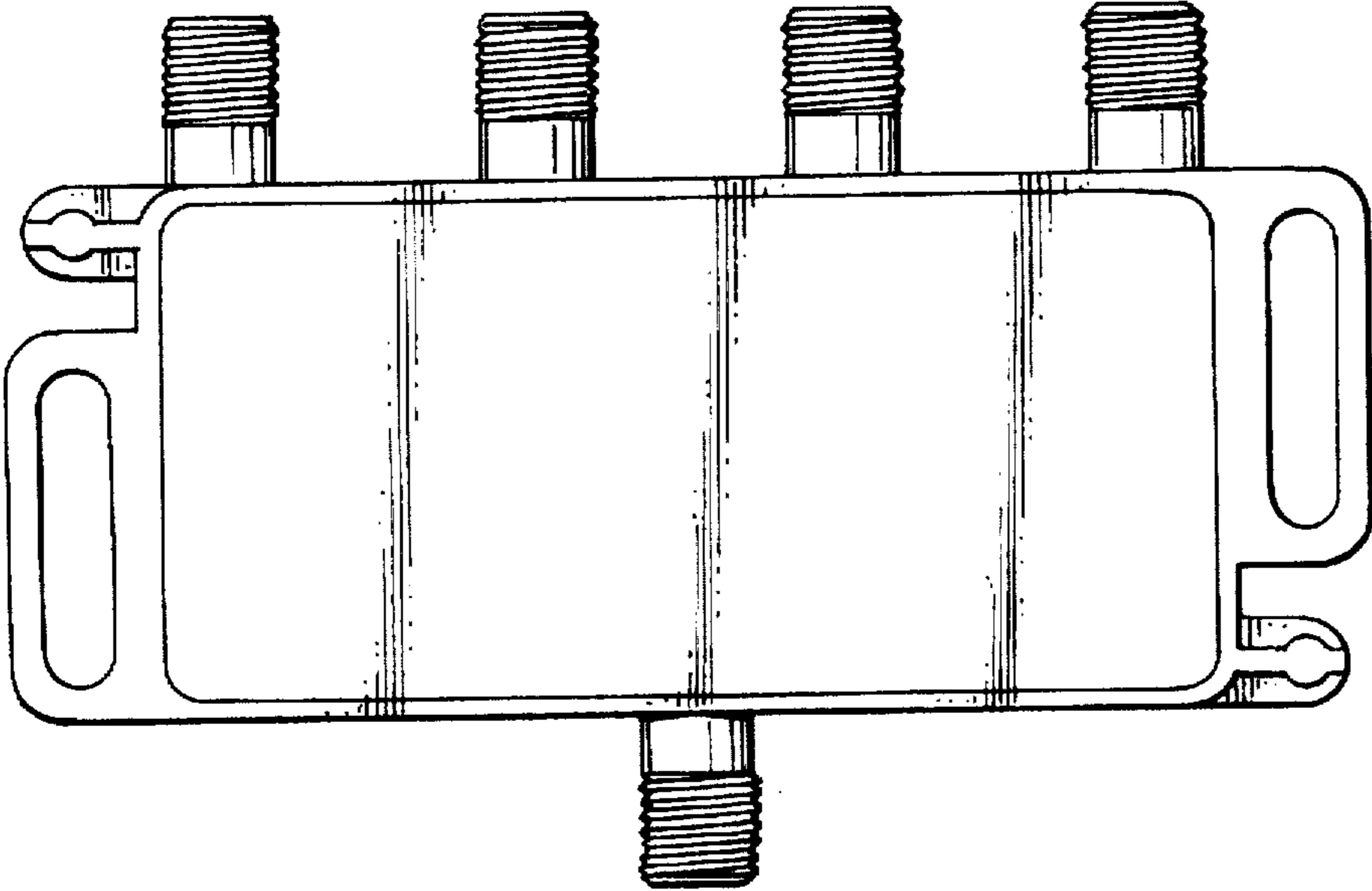


FIG. 6