



US00D396690S

United States Patent [19]

Fryers

[11] Patent Number: **Des. 396,690**

[45] Date of Patent: ****Aug. 4, 1998**

[54] **ENCLOSURE FOR ELECTRONIC CIRCUITRY**

[75] Inventor: **Bruce Fryers**, Leighton Buzzard, United Kingdom

[73] Assignee: **3Com Limited**, Hertfordshire, United Kingdom

[**] Term: **14 Years**

[21] Appl. No.: **58,815**

[22] Filed: **Aug. 23, 1996**

[30] **Foreign Application Priority Data**

Feb. 23, 1996 [GB] United Kingdom 2054390

[51] LOC (6) Cl. **13-03**

[52] U.S. Cl. **D13/147; D14/100; D13/184**

[58] Field of Search **D13/142, 146, D13/147, 184; D10/80, 103; D14/100, 102, 107, 114; 174/50-52.4; 361/679-821**

[56] **References Cited**

U.S. PATENT DOCUMENTS

D. 341,570	11/1993	Brandt et al.	D14/100
D. 353,800	12/1994	Lewis et al.	D13/184
D. 357,001	4/1995	Merino	D14/100
D. 381,317	7/1997	Yu	D13/142
4,901,205	2/1990	Landis et al.	174/51 X
5,440,450	8/1995	Lau et al.	361/695

Primary Examiner—Gary D. Watson
Assistant Examiner—Cathron B. Matta

Attorney, Agent, or Firm—Wilson, Sonsini Goodrich & Rosati; Mark A. Haynes; Charles C. Cary

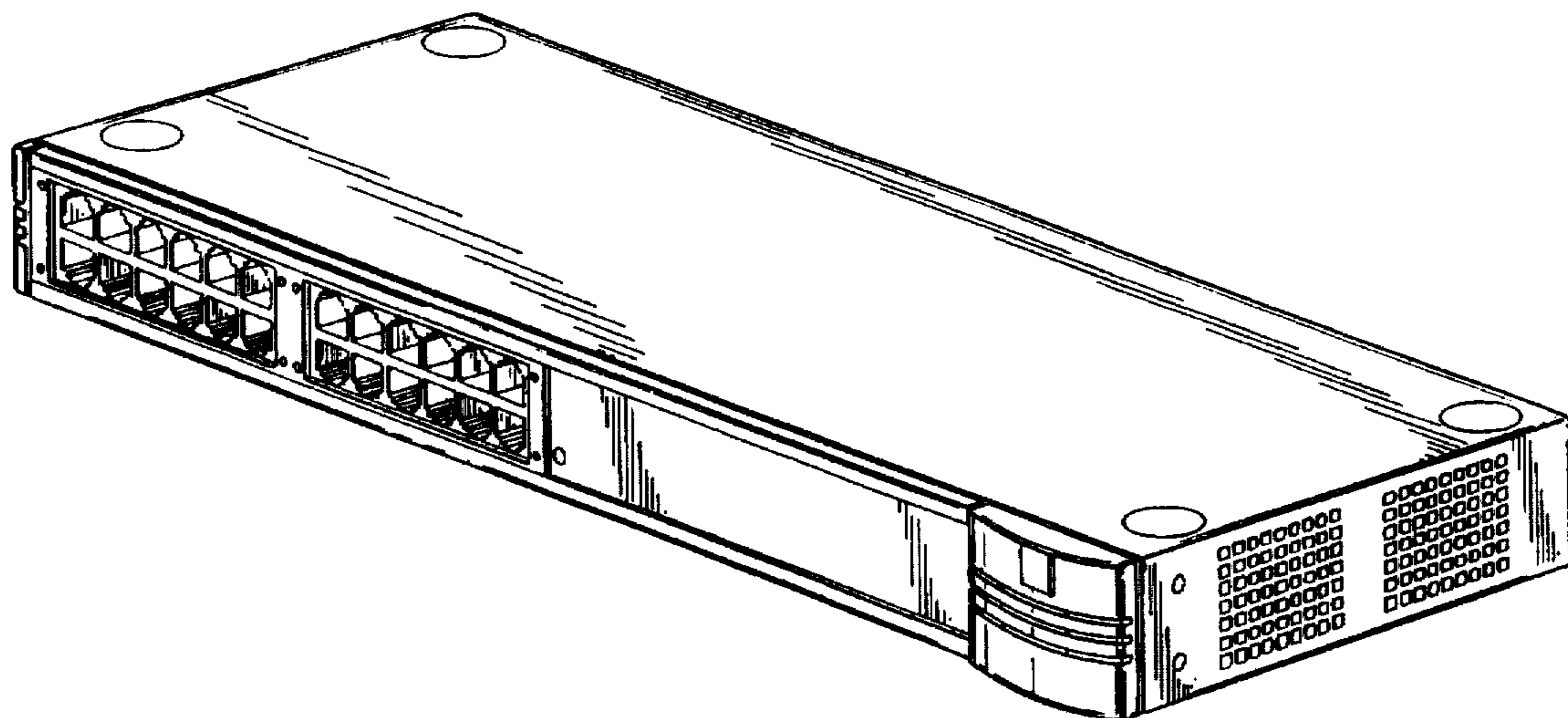
[57] **CLAIM**

The ornamental design for an enclosure for electronic circuitry, as shown and described.

DESCRIPTION

FIG. 1 is a top, front, right perspective view of an enclosure for electronic circuitry, such as a network interconnecting device like a multiport repeater, showing my new design; FIG. 2 is a top, back, right perspective thereof; FIG. 3 is a left side elevation thereof; FIG. 4 is a right side elevation thereof; FIG. 5 is a bottom plan view thereof; FIG. 6 is a top plan view thereof; FIG. 7 is a rear elevation thereof; FIG. 8 is a front elevation thereof; FIG. 9 is a top, front, right perspective view of an enclosure for electronic circuitry, such as a network interconnecting device like a multiport repeater, showing an alternative embodiment of my new design; FIG. 10 is a top, back, right perspective of the alternative embodiment; FIG. 11 is a front elevation of the alternative embodiment; FIG. 12 is a rear elevation of the alternative embodiment; FIG. 13 is a top plan view of the alternative embodiment; FIG. 14 is a bottom plan view of alternative embodiment; FIG. 15 is a right side elevation of the alternative embodiment; and, FIG. 16 is a left side elevation of the alternative embodiment.

1 Claim, 16 Drawing Sheets



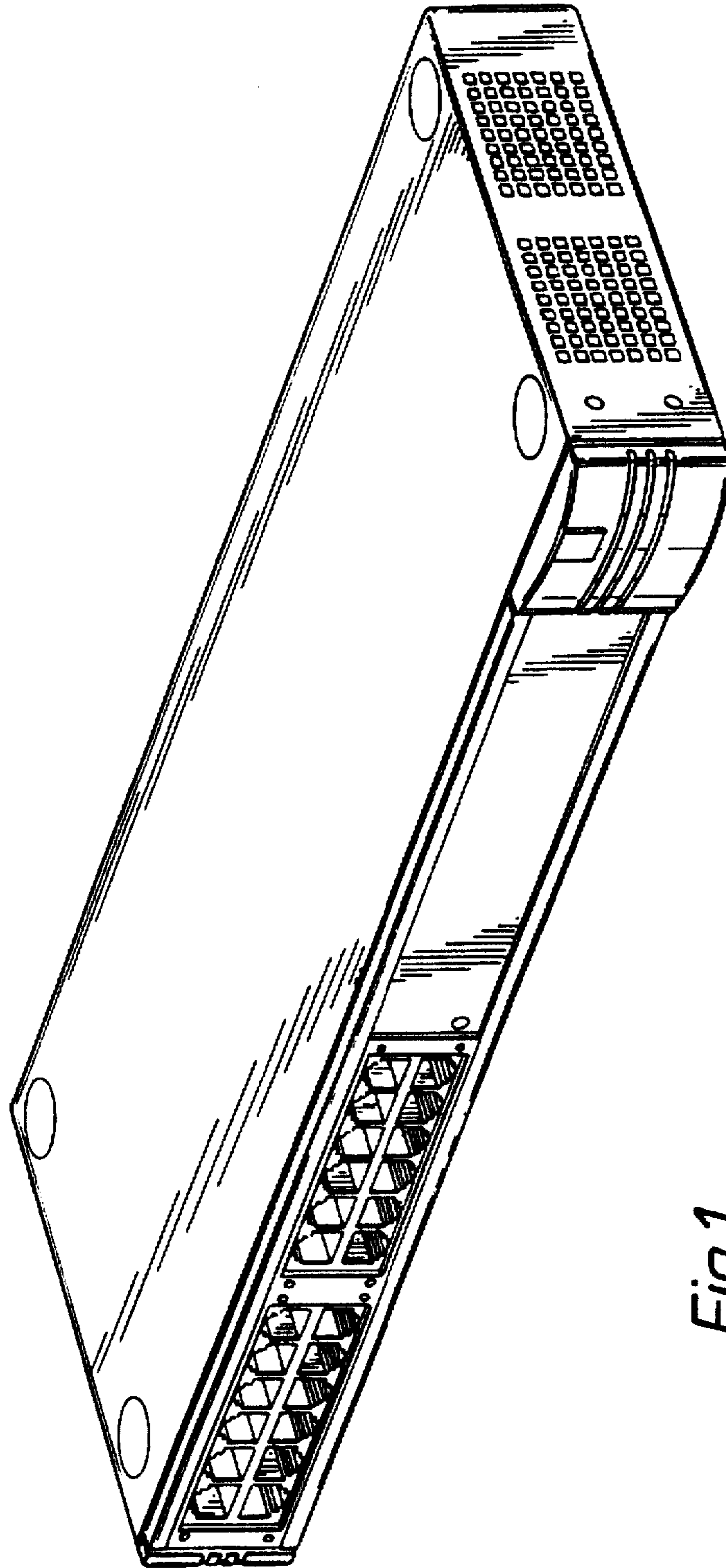


Fig. 1

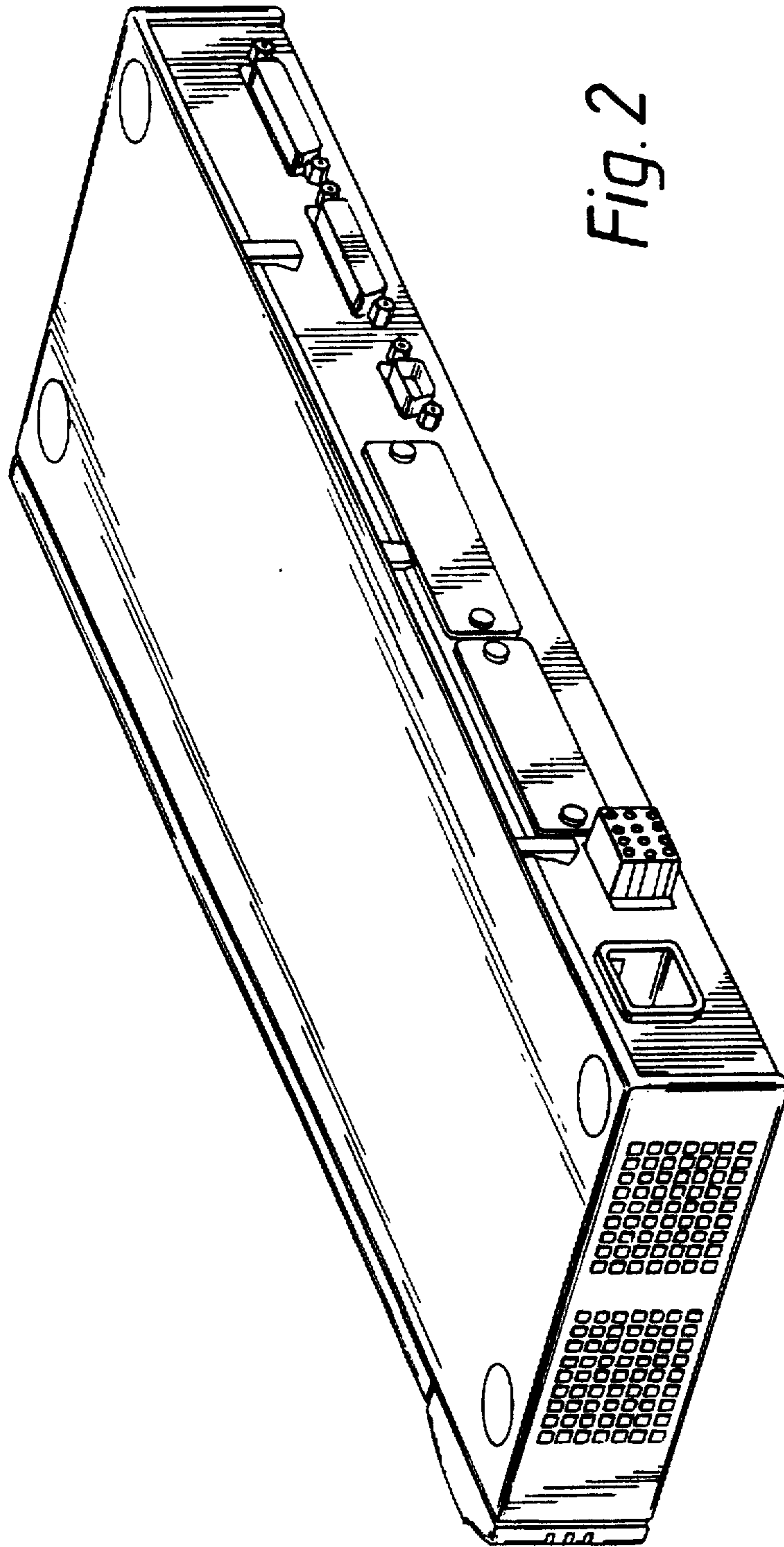


Fig. 2

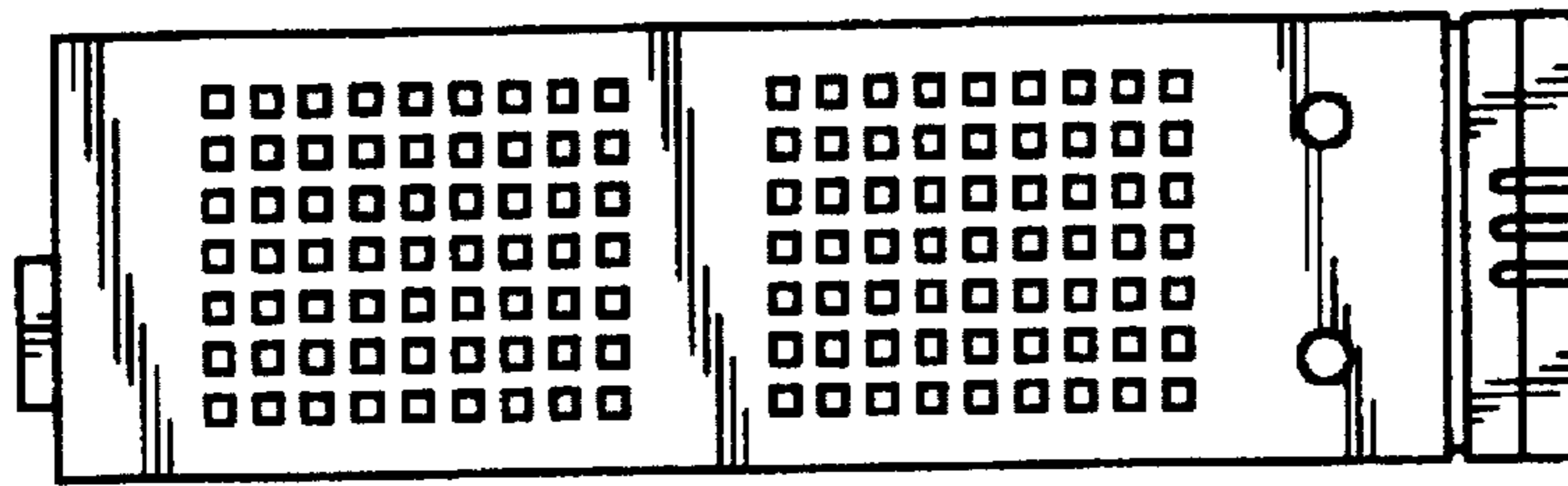


Fig. 3

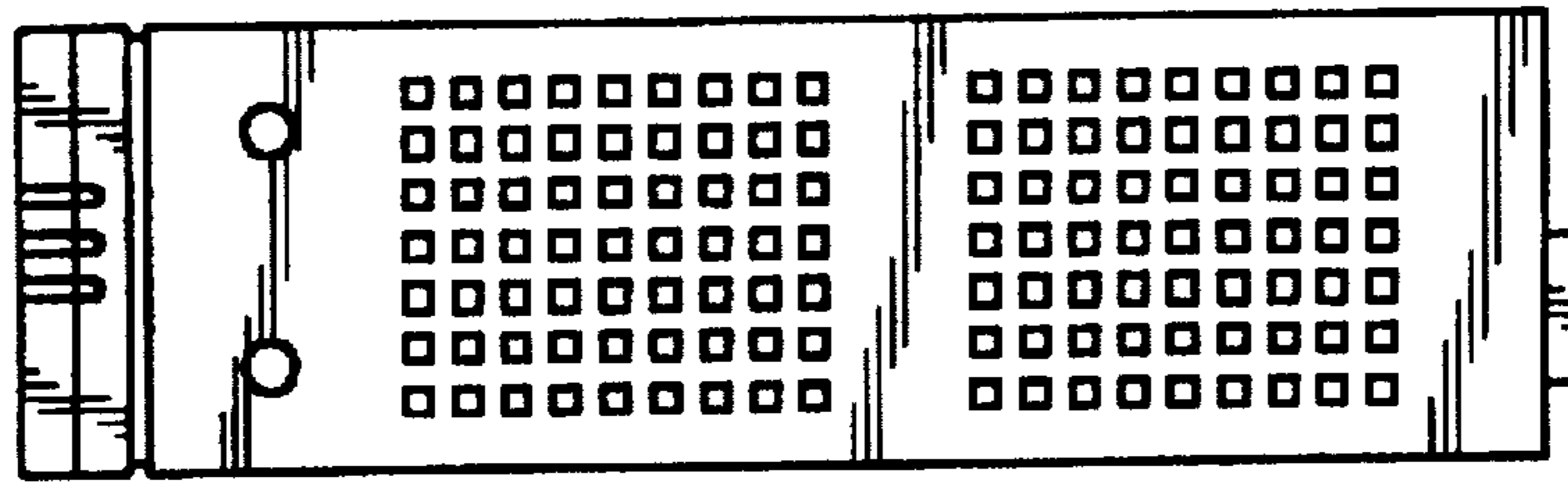


Fig. 4

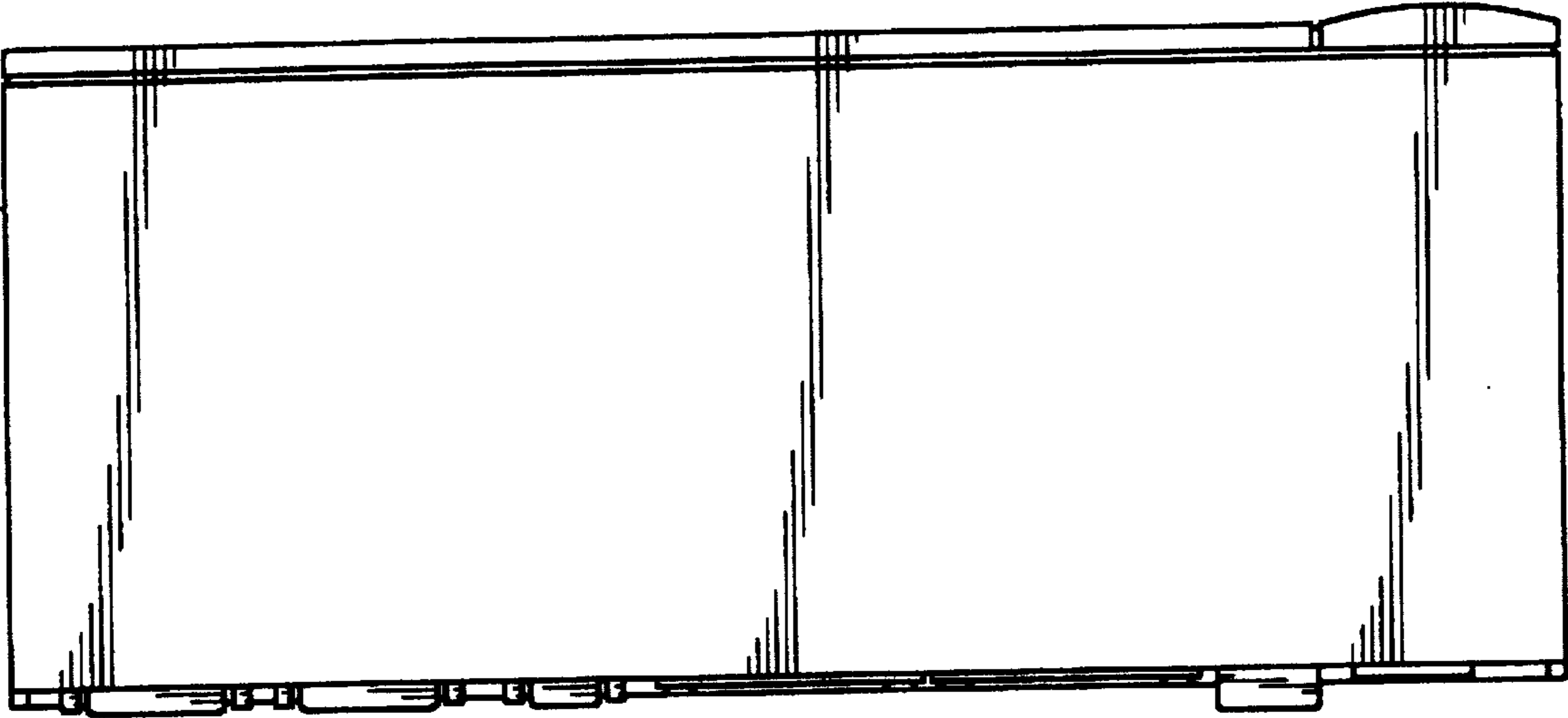


Fig. 5

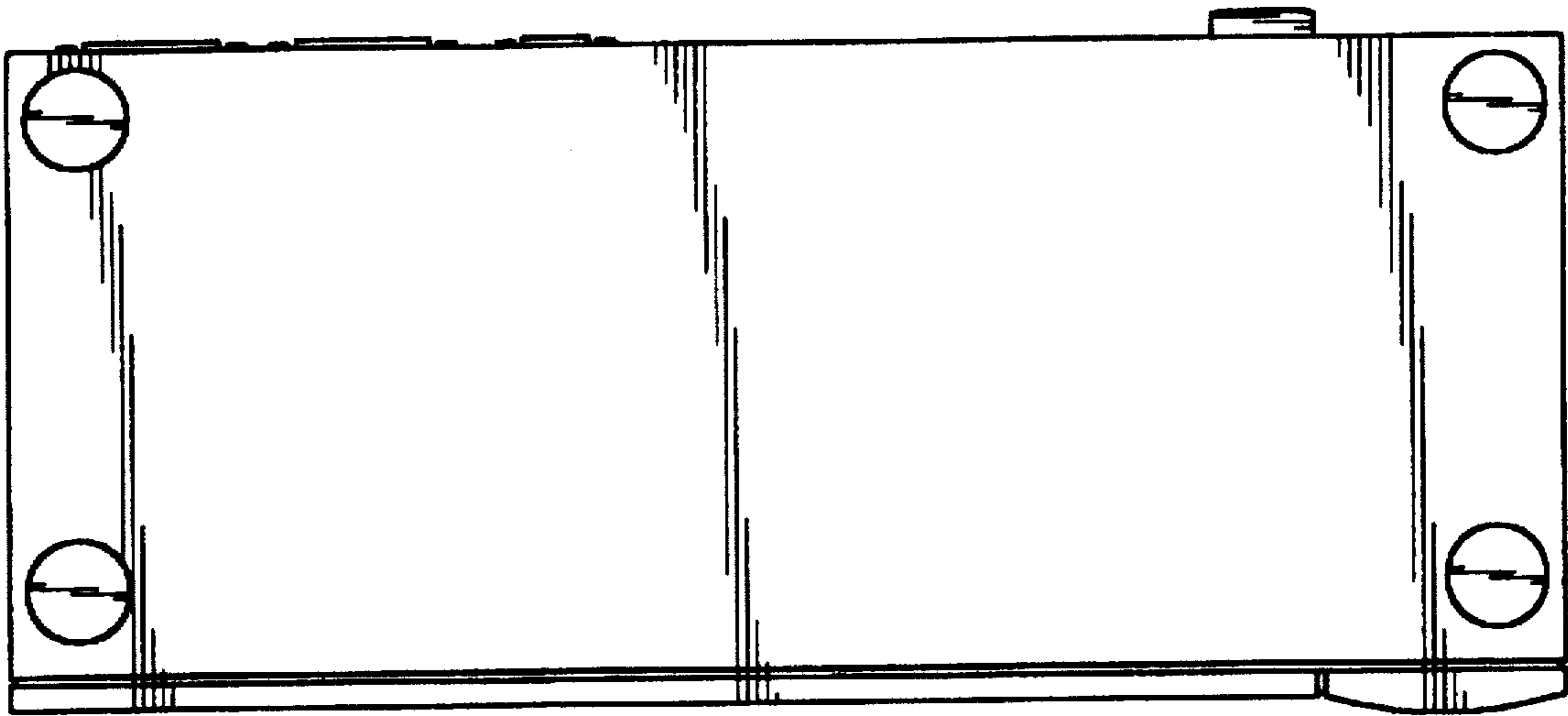


Fig. 6

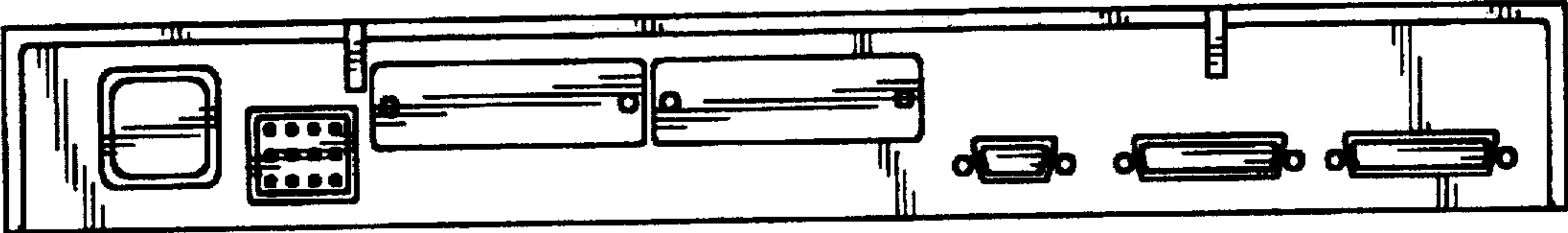


Fig. 7

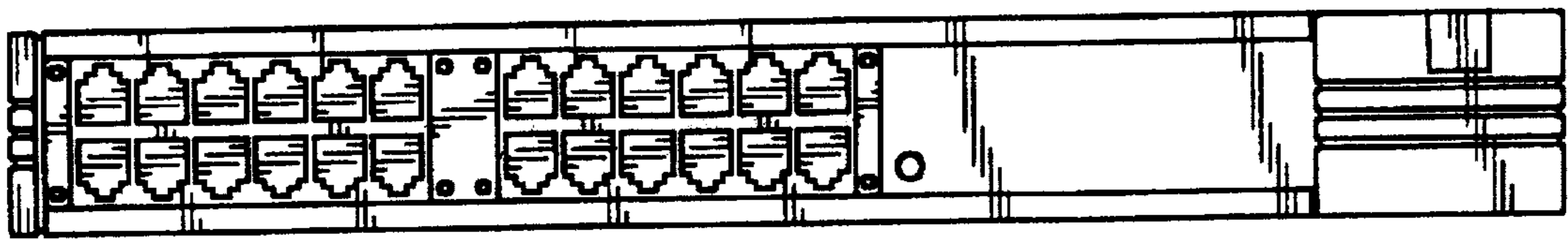


Fig. 8

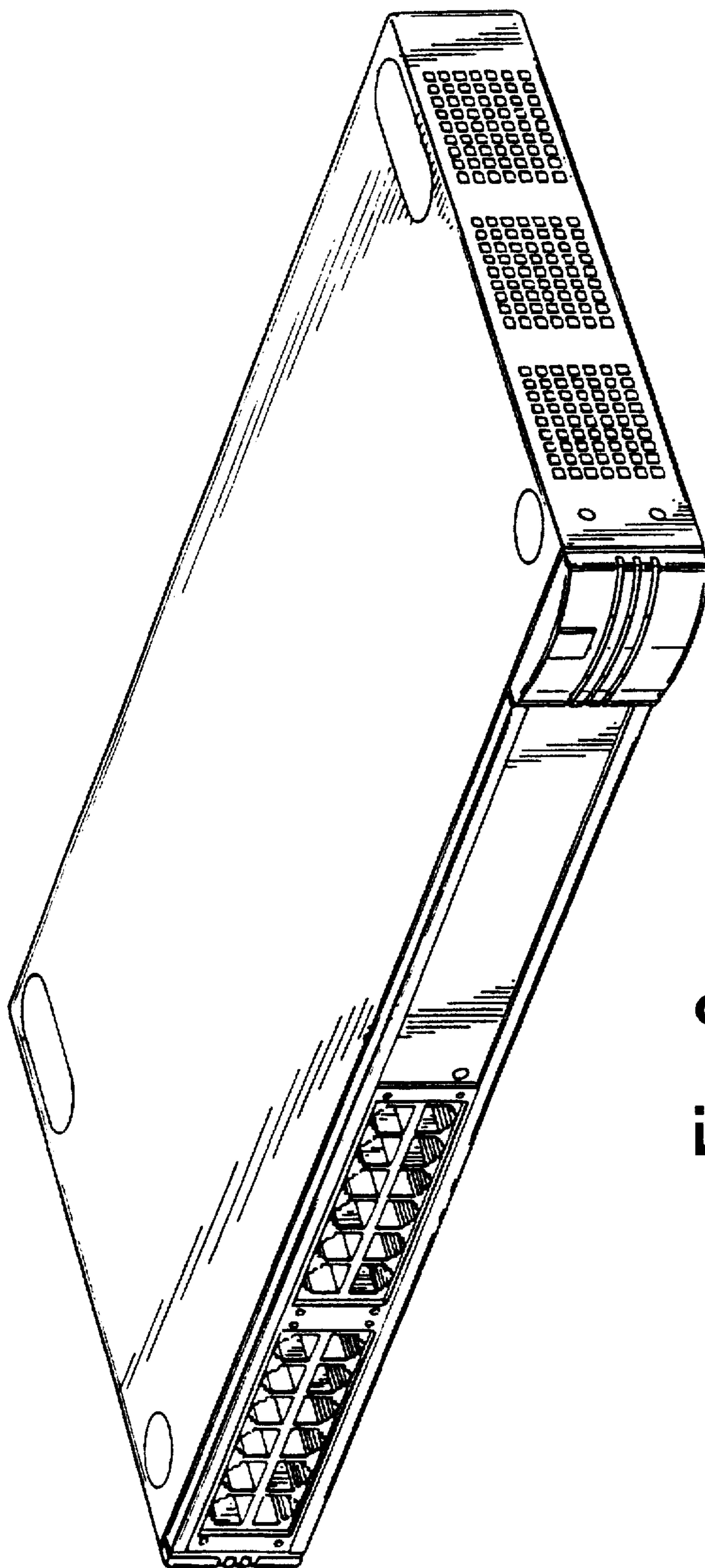


Fig. 9

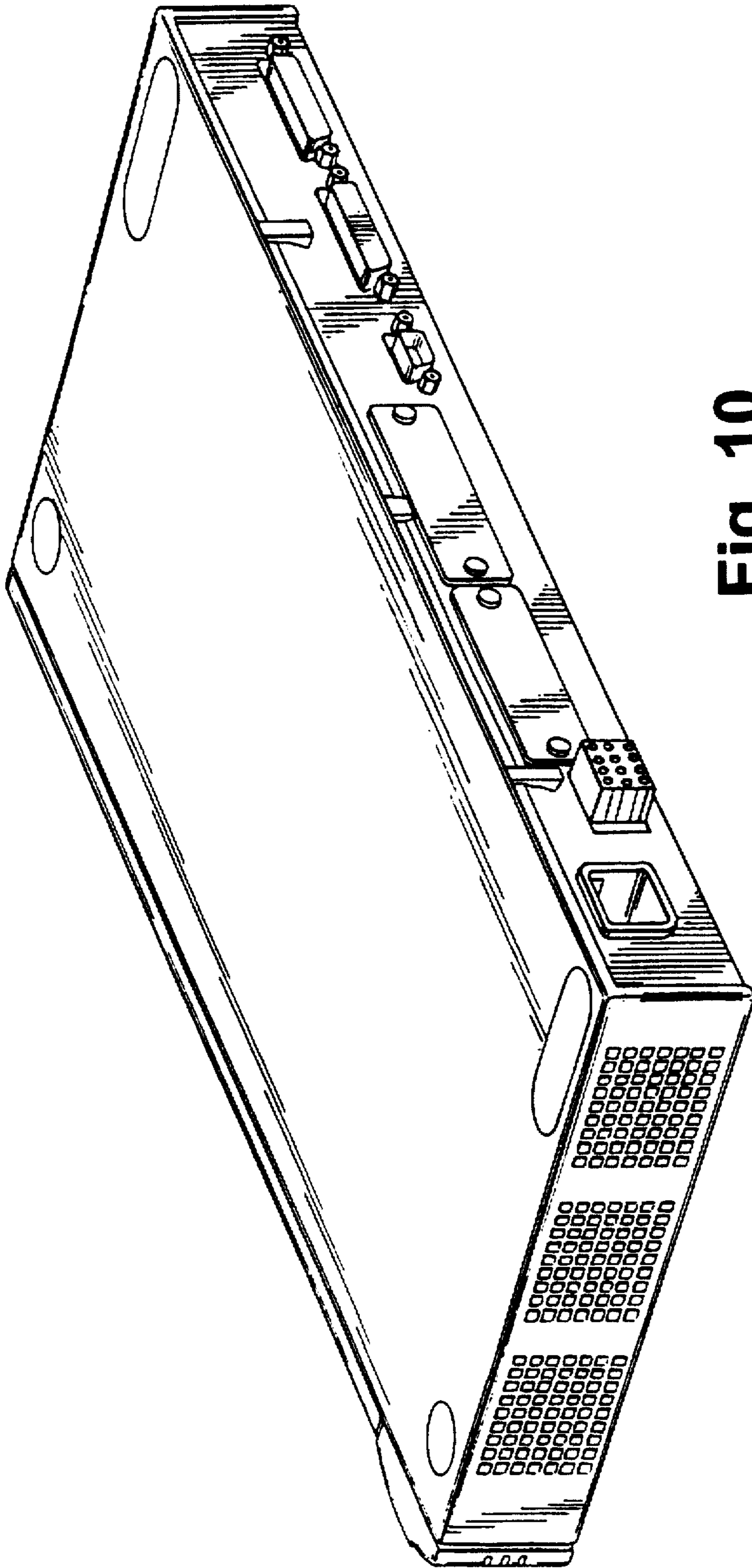


Fig. 10

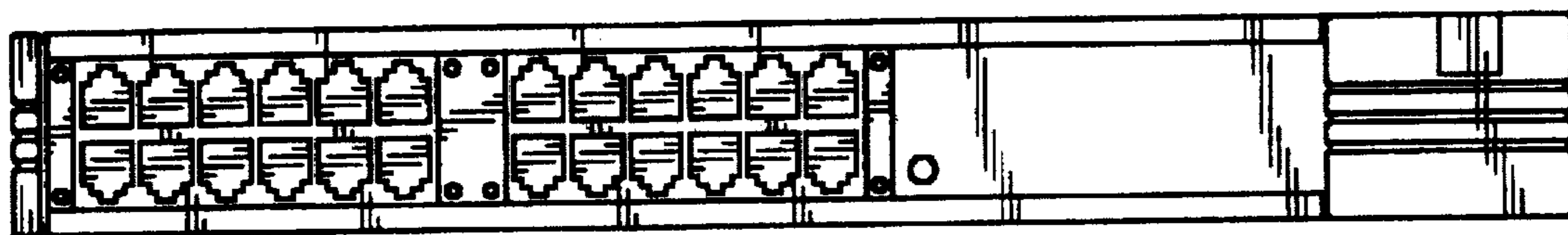


Fig. 11

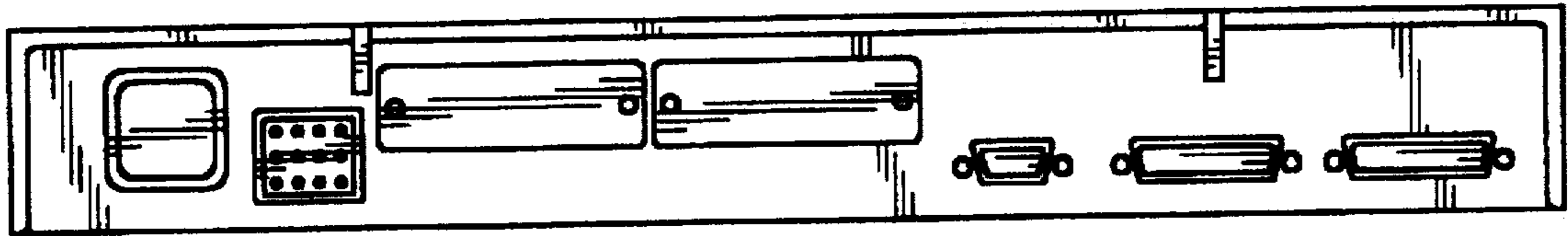


Fig. 12

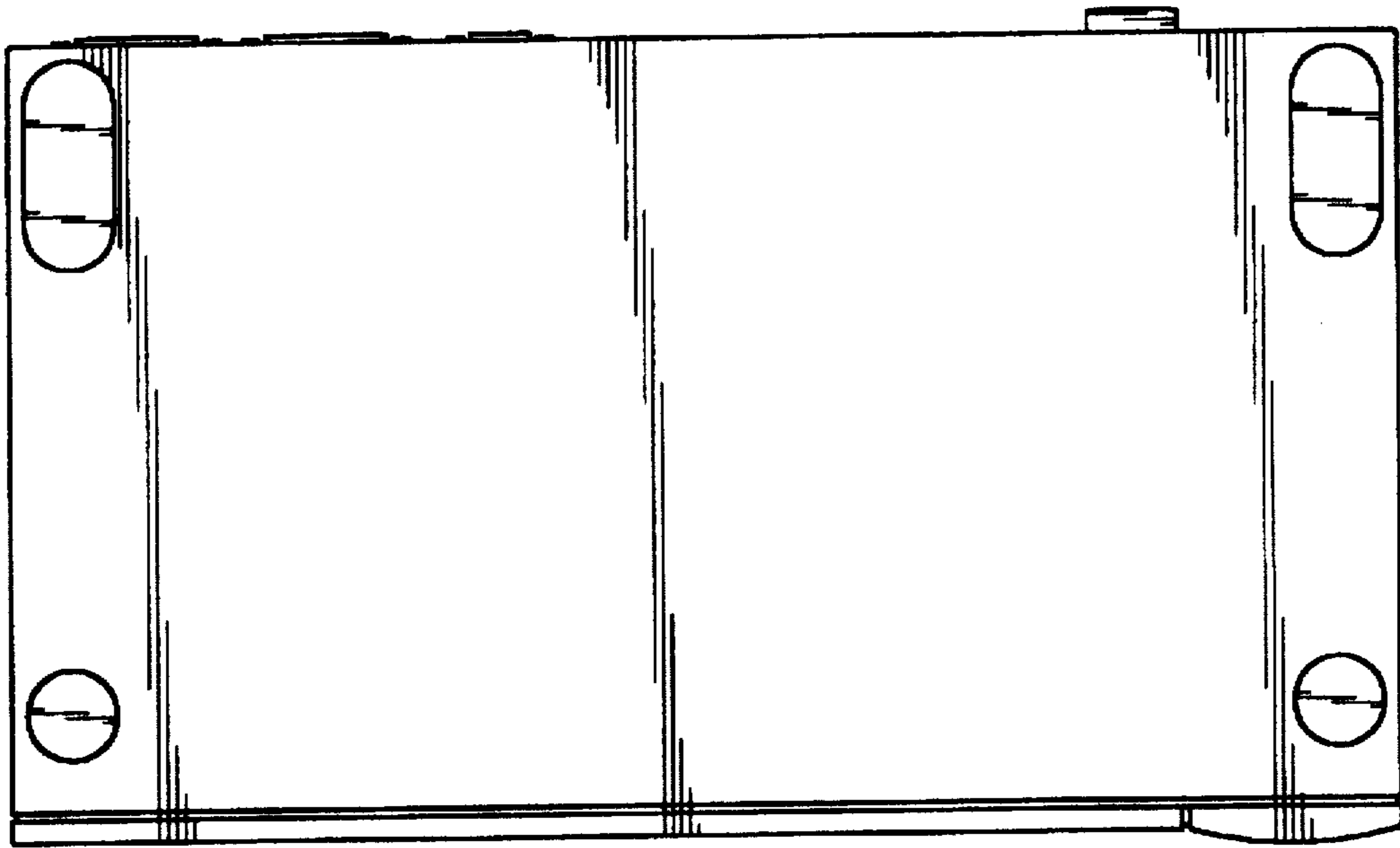


Fig. 13

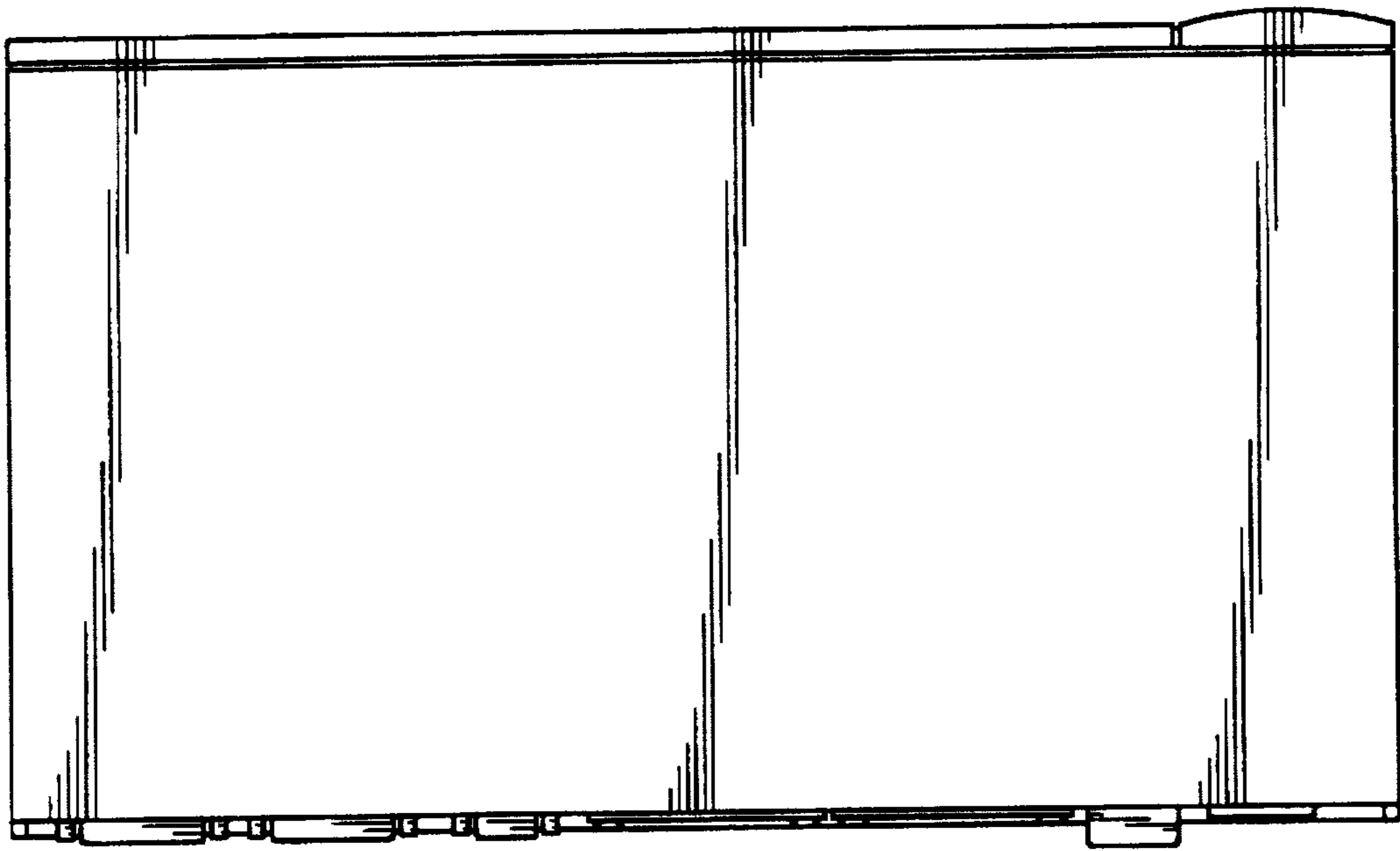


Fig. 14

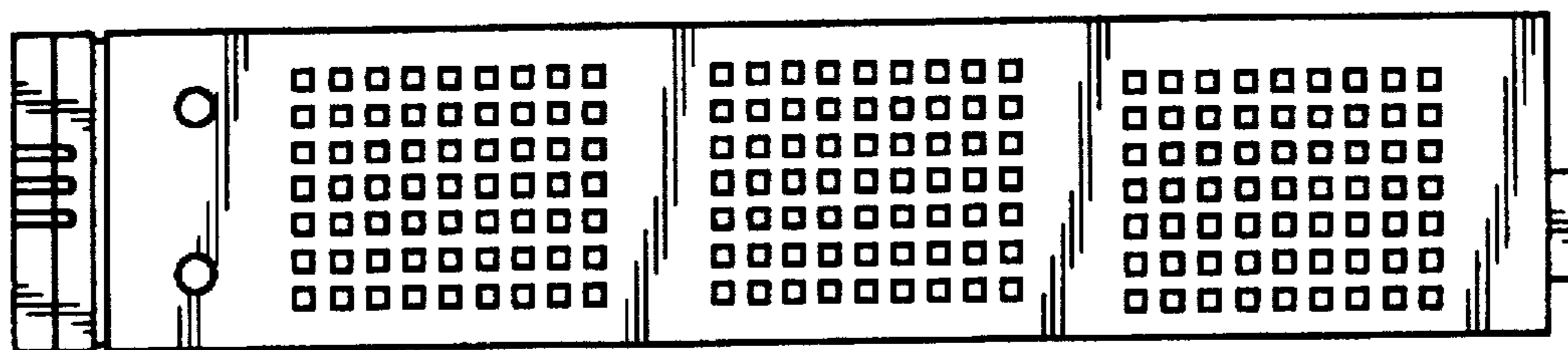


Fig. 15

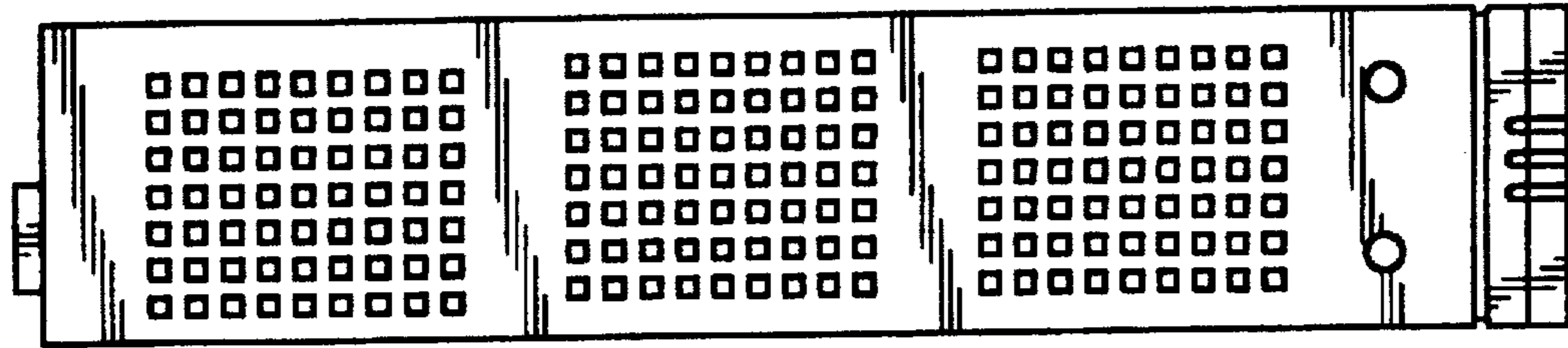


Fig. 16