



US00D396688S

# United States Patent [19] Lin

[11] Patent Number: **Des. 396,688**  
[45] Date of Patent: **\*\*Aug. 4, 1998**

[54] **UNINTERRUPTED POWER SUPPLY**

D. 376,347 12/1996 Mousa ..... D13/110  
D. 386,148 11/1997 Katooka et al. .... D13/110

[76] Inventor: **Shih-Yao Lin**, 11th Fl., No. 86, Sec. 2,  
Fuhsing S. Rd., Taipei, Taiwan

*Primary Examiner*—Brian N. Vinson  
*Attorney, Agent, or Firm*—Peterson, Wicks, Nemer &  
Kamrath, P.A.

[\*\*] Term: **14 Years**

[57] **CLAIM**

[21] Appl. No.: **68,970**

The ornamental design for an uninterrupted power supply, as shown.

[22] Filed: **Apr. 21, 1997**

[51] LOC (6) Cl. .... **13-02**

[52] U.S. Cl. .... **D13/110**

[58] Field of Search ..... D13/101, 110,  
D13/112, 114, 123; D14/107; 174/50, 52.1;  
361/1, 600, 601, 622, 679, 683

**DESCRIPTION**

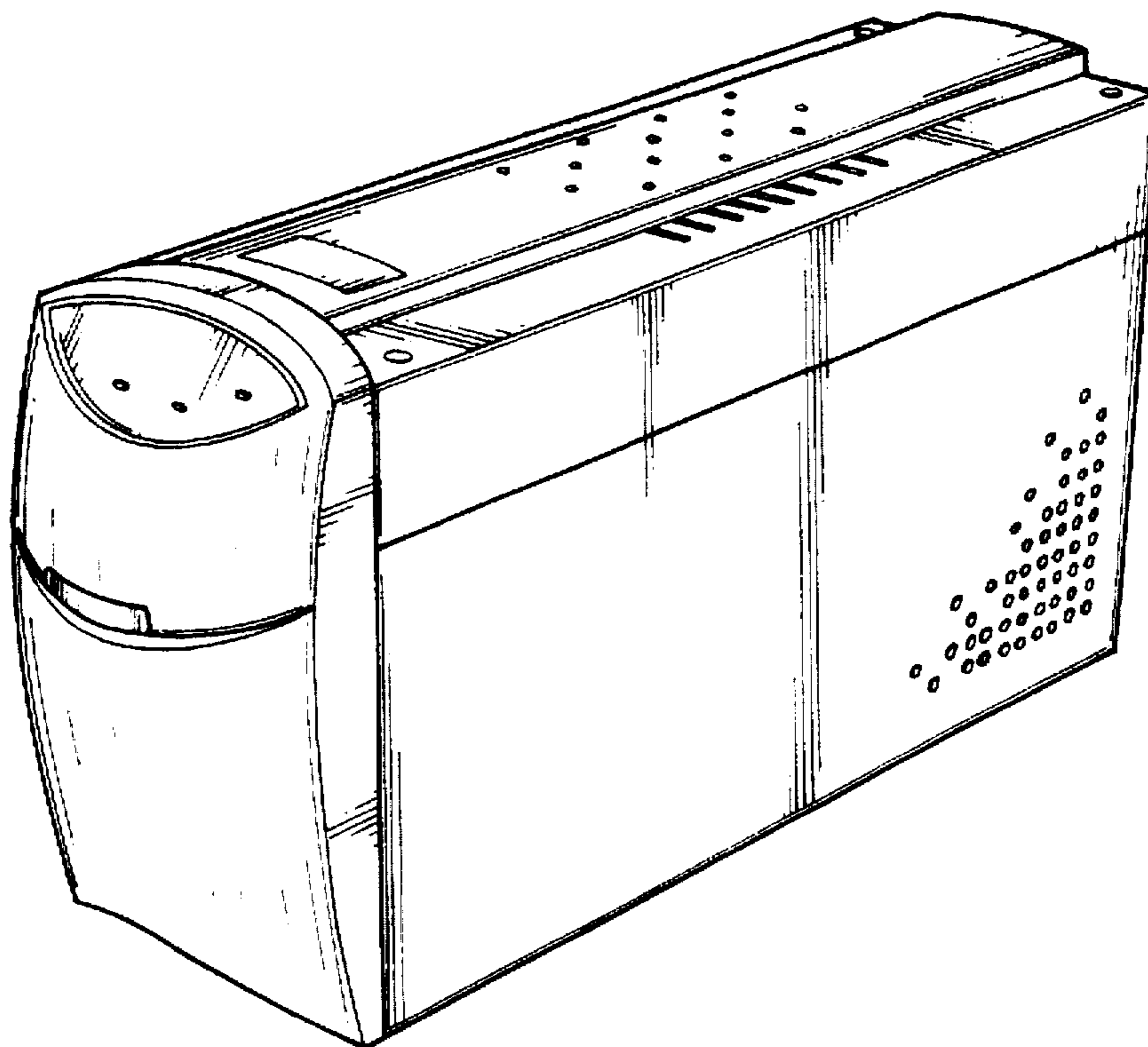
FIG. 1 is a front, top and right perspective view of an uninterrupted power supply showing my new design;  
FIG. 2 is a front view thereof;  
FIG. 3 is a rear view thereof;  
FIG. 4 is a left side elevational view thereof;  
FIG. 5 is a right side elevational view thereof;  
FIG. 6 is a top plan view thereof; and,  
FIG. 7 is a bottom plan view thereof.

[56] **References Cited**

**U.S. PATENT DOCUMENTS**

D. 314,174 1/1991 Wong ..... D13/110  
D. 334,561 4/1993 Crater et al. .... D13/110  
D. 357,456 4/1995 Nakanishi et al. .... D13/110

**1 Claim, 3 Drawing Sheets**



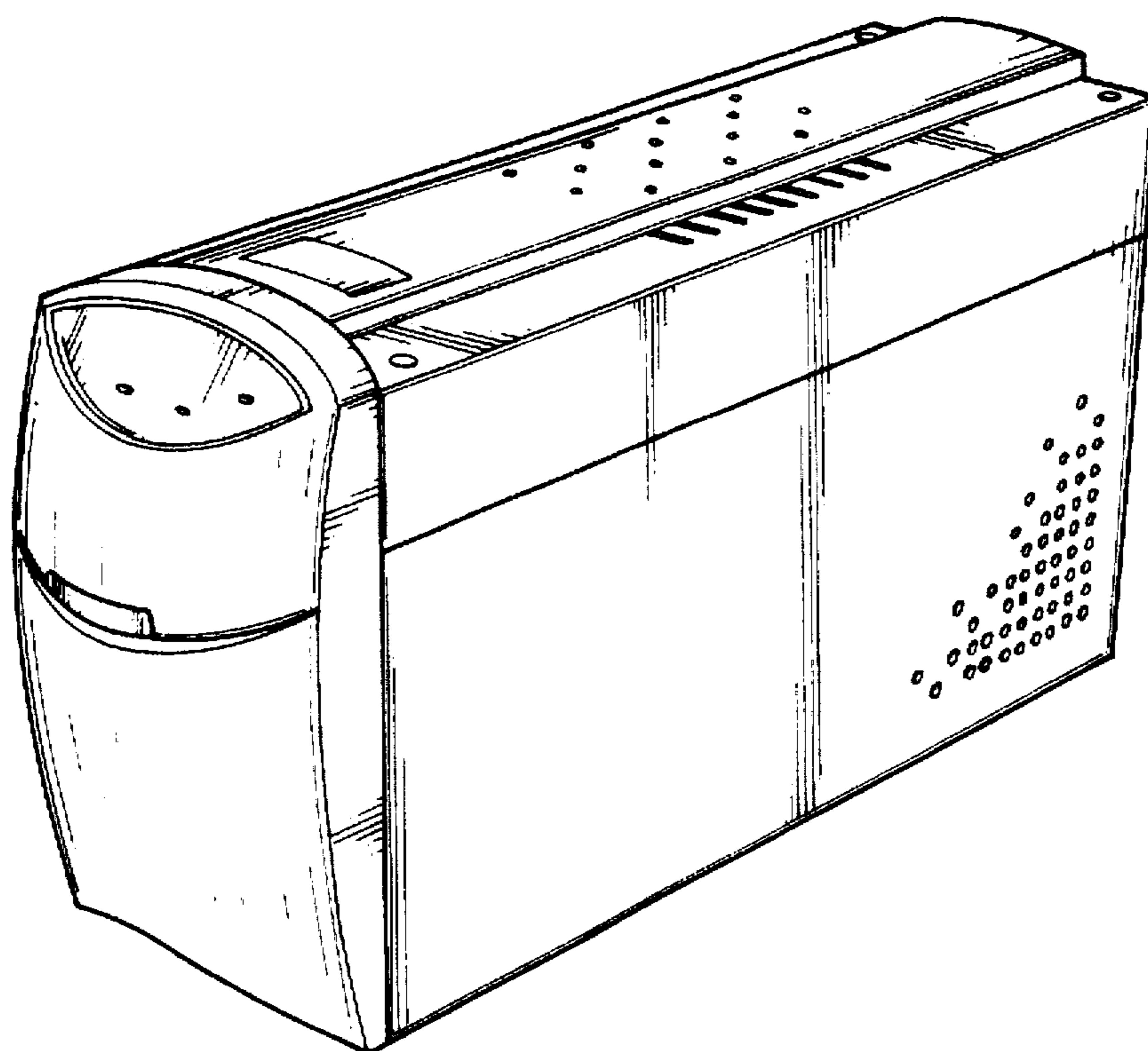


FIG. 1

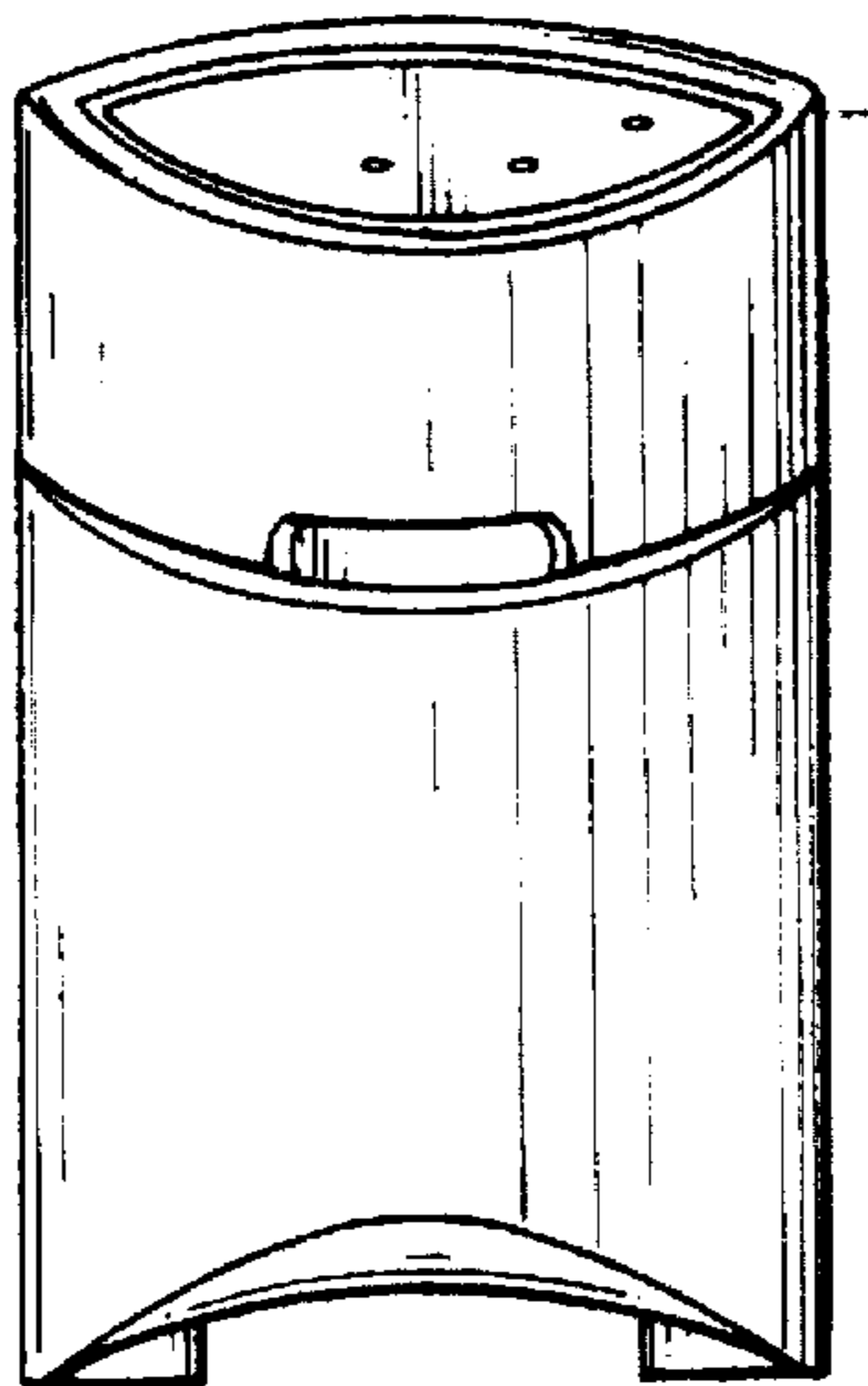


FIG. 2

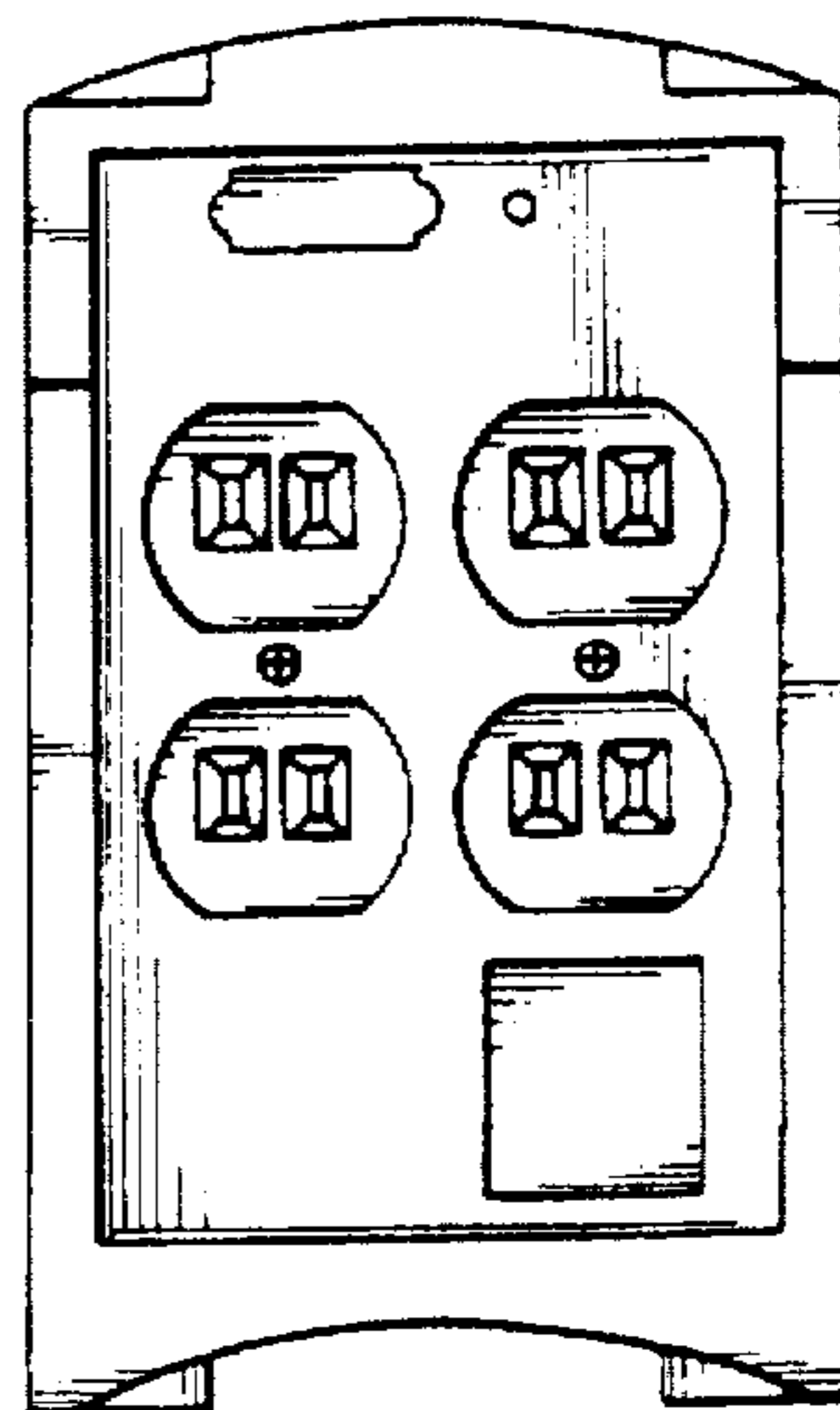


FIG. 3

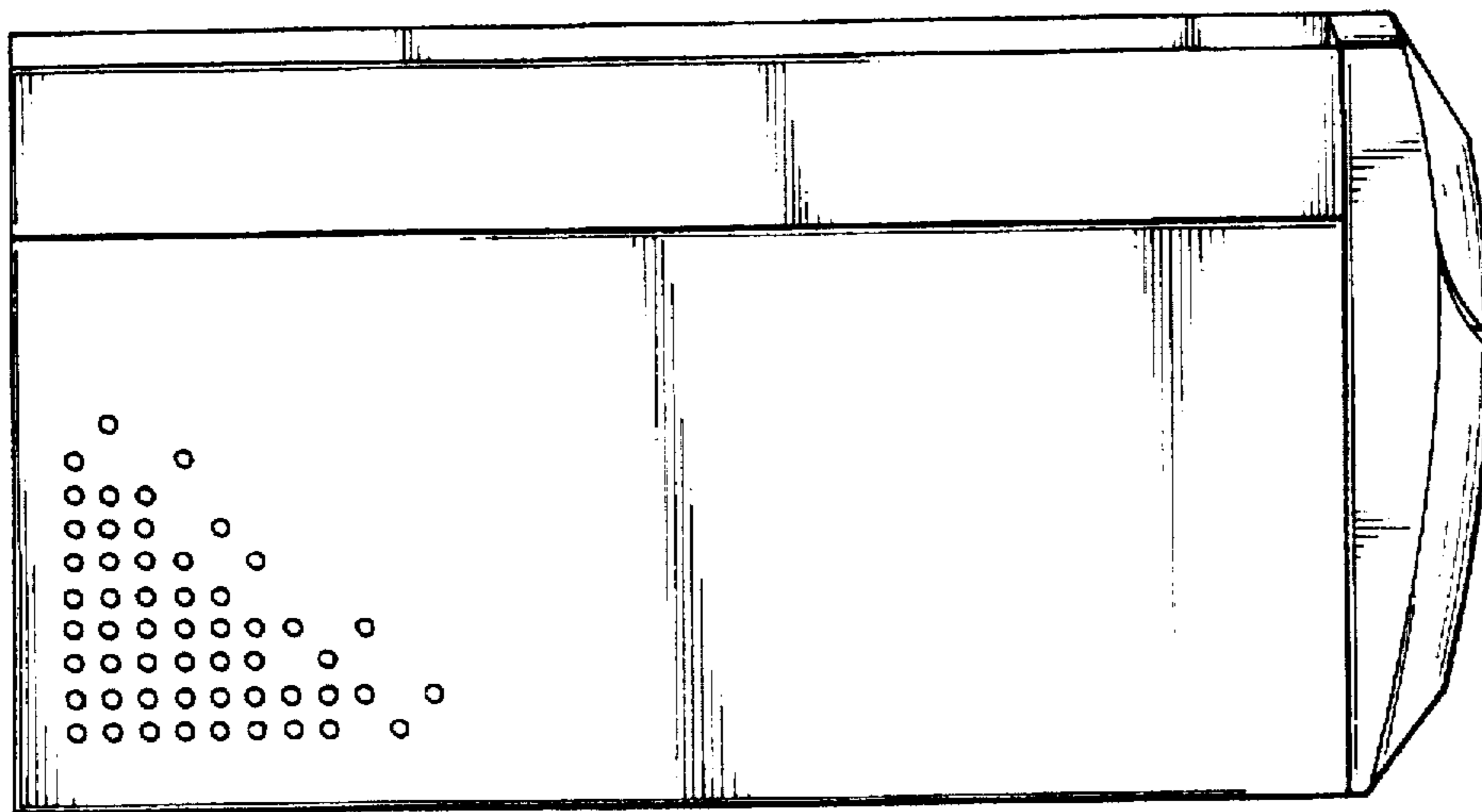


FIG. 4

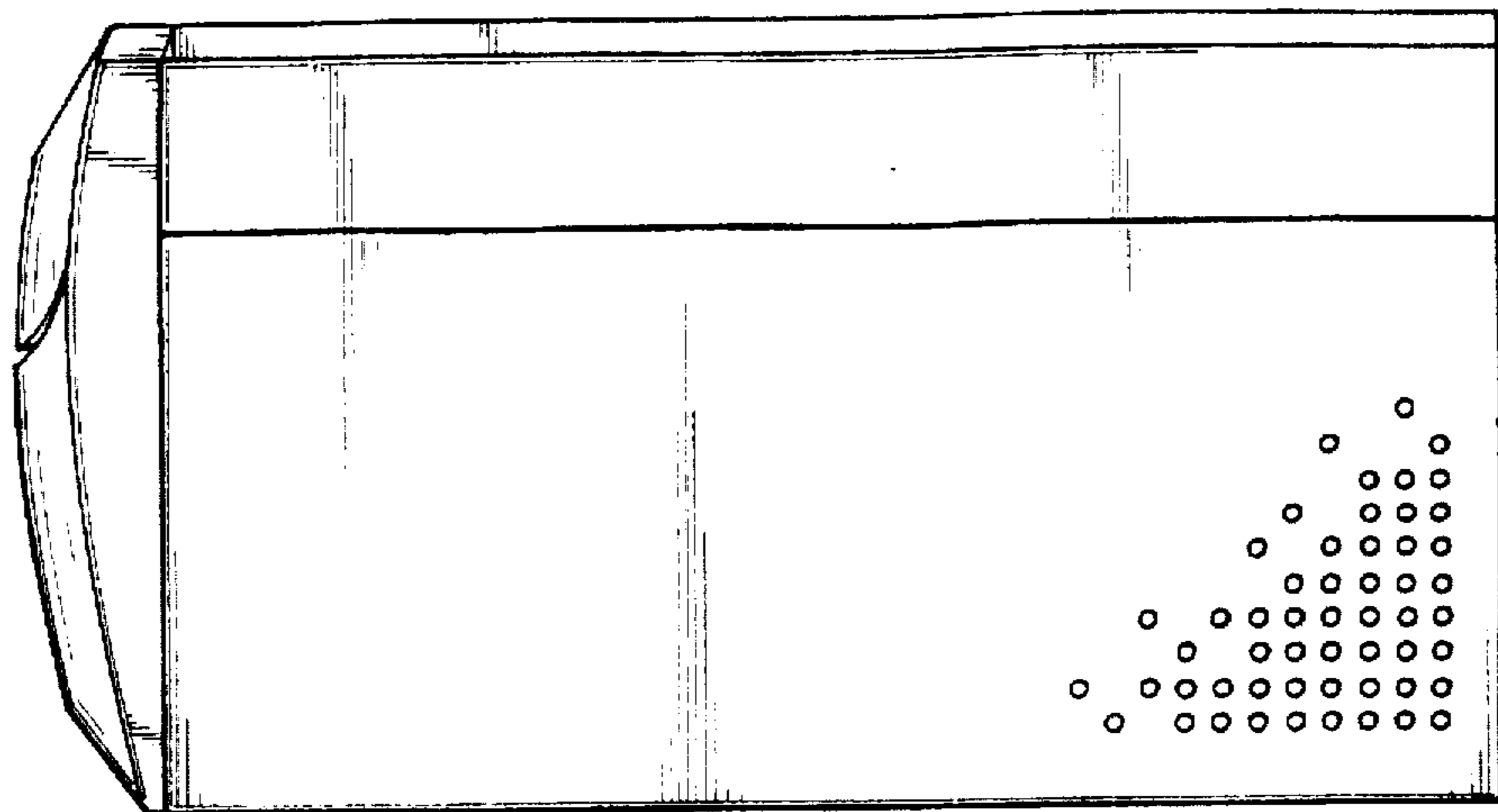


FIG. 5

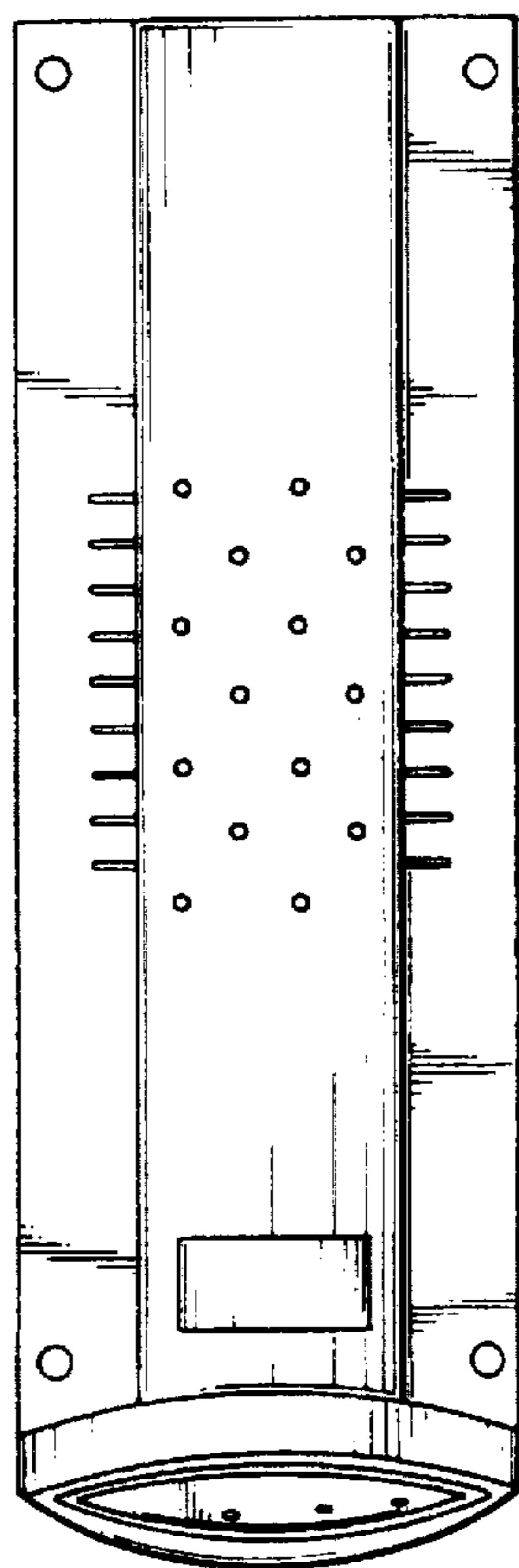


FIG. 6

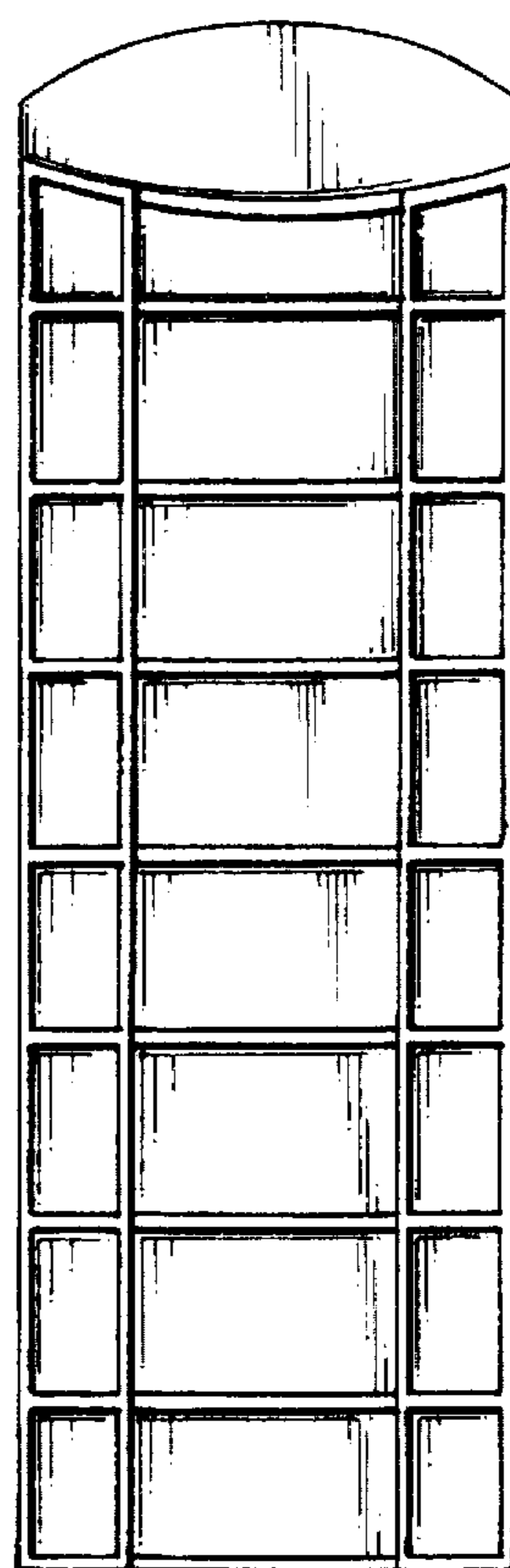


FIG. 7