



US00D396685S

United States Patent [19]

Baumgartner et al.

[11] Patent Number: **Des. 396,685**

[45] Date of Patent: ****Aug. 4, 1998**

[54] SINGLE STAGE TO ORBIT SPACECRAFT

D. 362,234 9/1995 Urie, Jr. D12/333
3,743,218 7/1973 Sweeney et al. 244/7 C

[75] Inventors: **Robert L. Baumgartner**, Newhall;
John D. Elvin, Santa Clarita; **Jordan S. Reaser**, Pacific Palisades, all of Calif.

Primary Examiner—Kay H. Chin
Attorney, Agent, or Firm—Robert A. Schruhl

[73] Assignee: **Lockheed Martin Corporation**

[57] **CLAIM**

[**] Term: **14 Years**

The ornamental design for single stage to orbit spacecraft, as shown.

[21] Appl. No.: **57,944**

DESCRIPTION

[22] Filed: **Aug. 5, 1996**

FIG. 1 is a perspective view of the aircraft;

[51] LOC (6) Cl. **12-07**

FIG. 2 is a side view of the aircraft;

[52] U.S. Cl. **D12/320; D12/333**

FIG. 3 is a top view of the aircraft;

[58] Field of Search **D12/319-345;**
244/158 R, 159, 172, 2, 46, 36, 49, 7 C

FIG. 4 is a front view of the aircraft;

FIG. 5 is a bottom view of the aircraft; and,

FIG. 6 is a back view of the aircraft.

[56] **References Cited**

U.S. PATENT DOCUMENTS

D. 220,985 6/1971 Webb D12/320

1 Claim, 3 Drawing Sheets

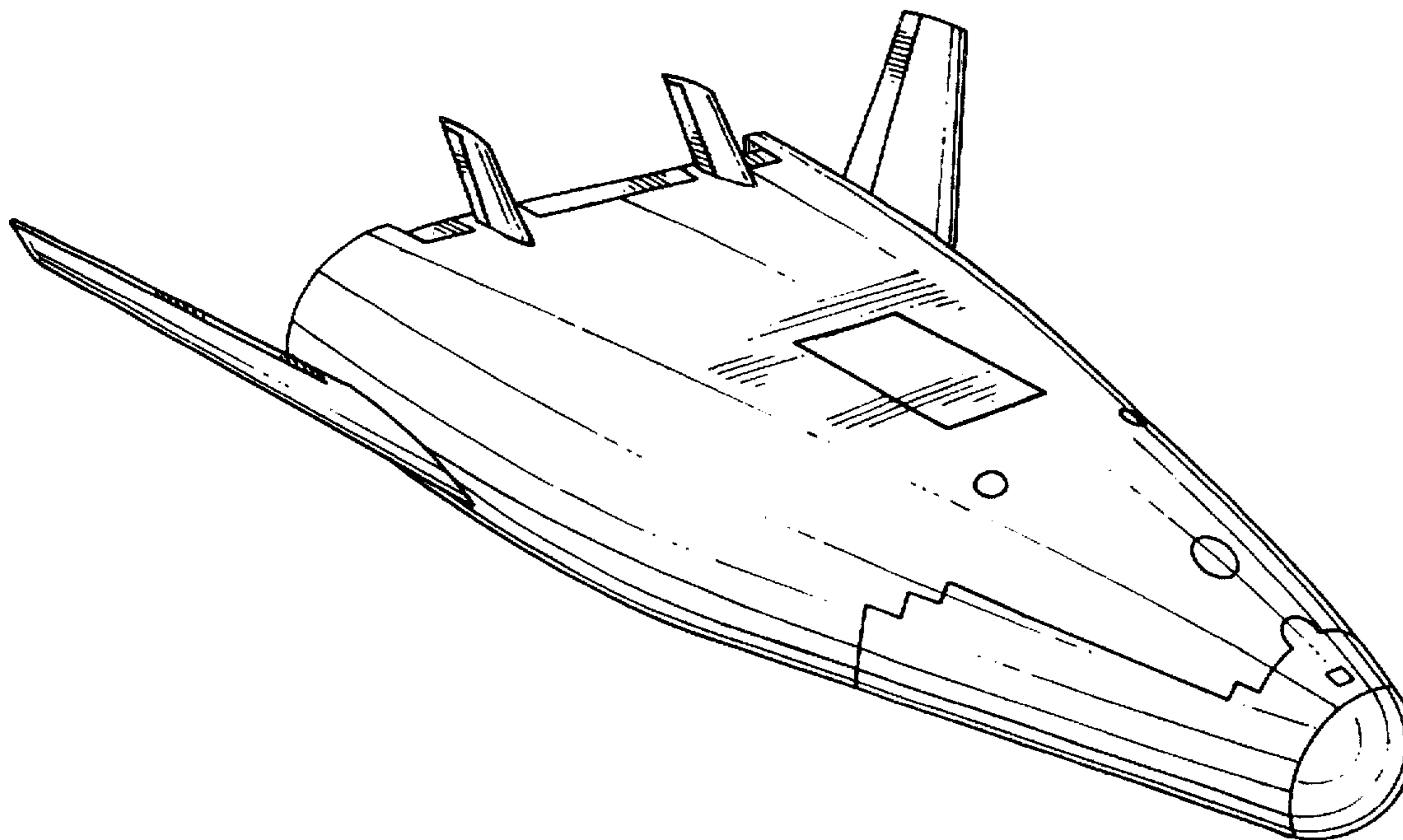


FIG. 1

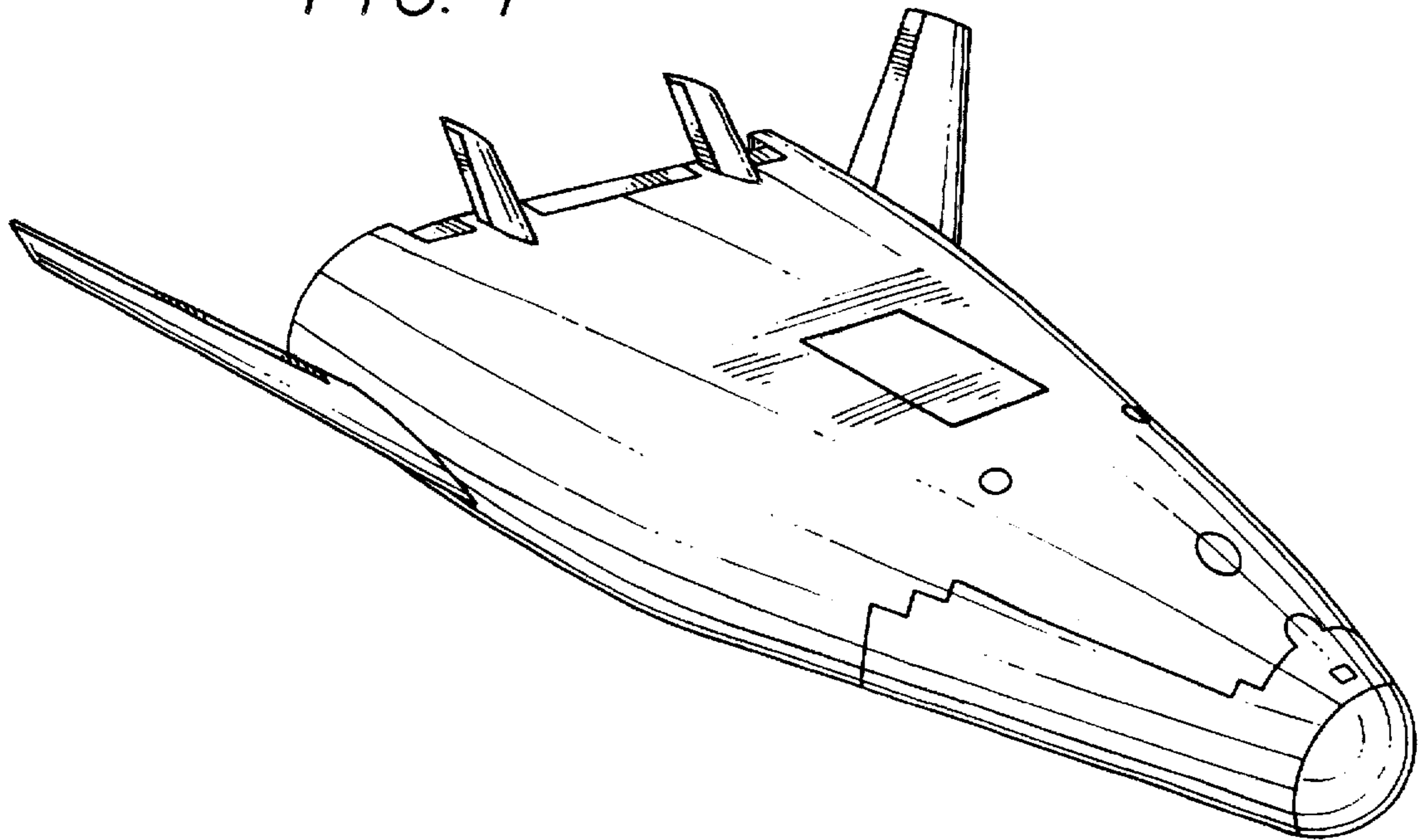
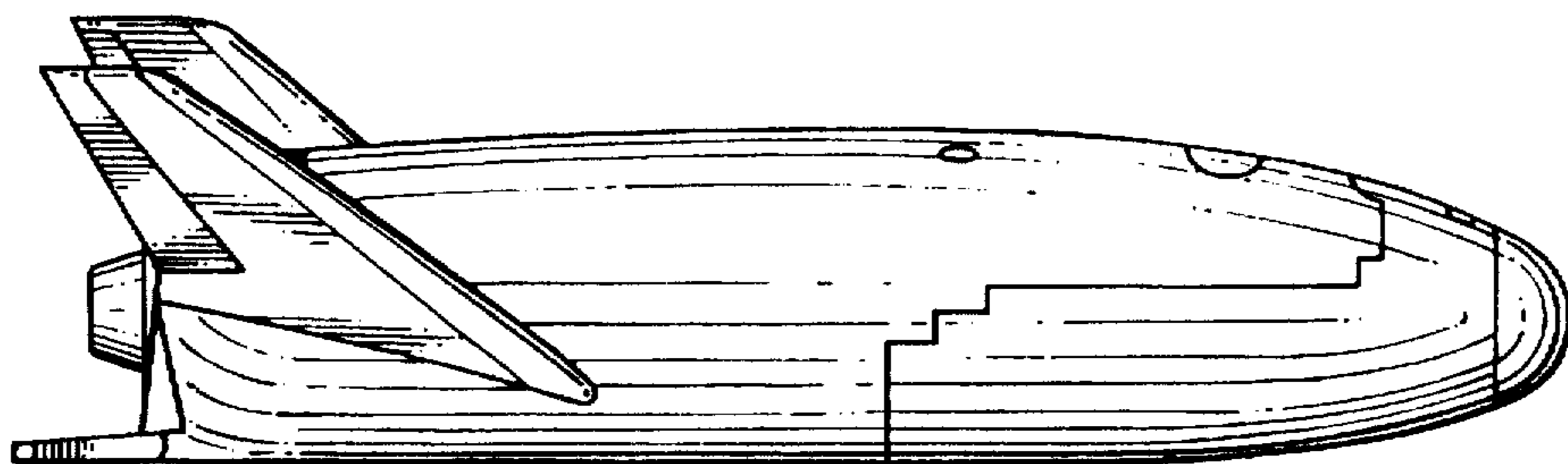


FIG. 2



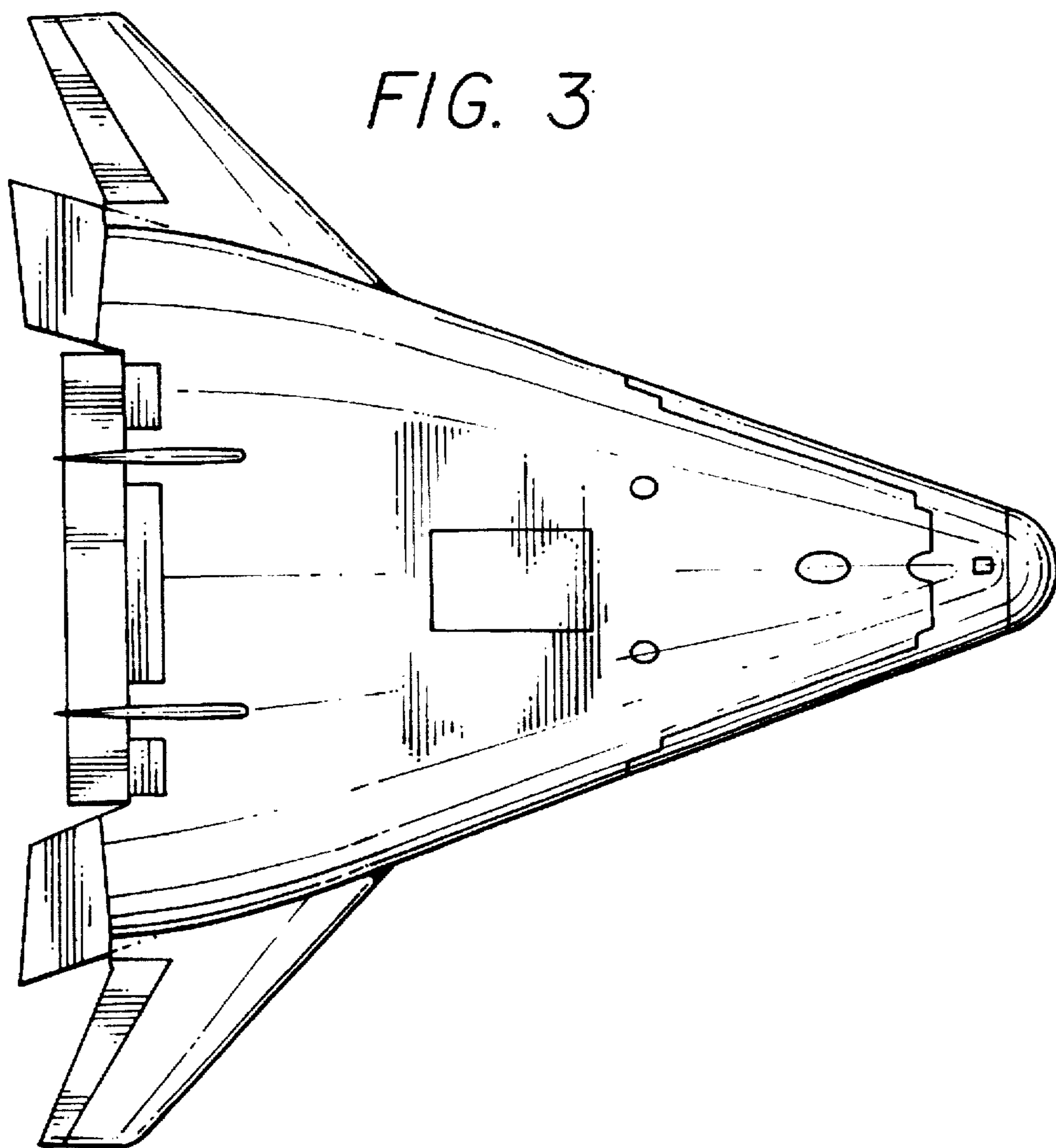
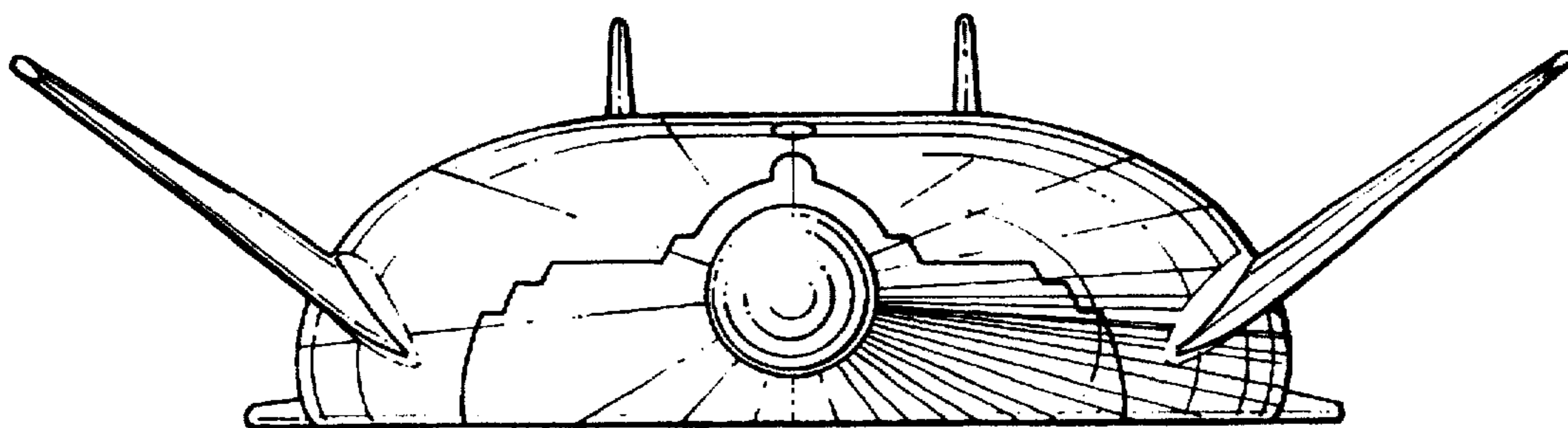


FIG. 4



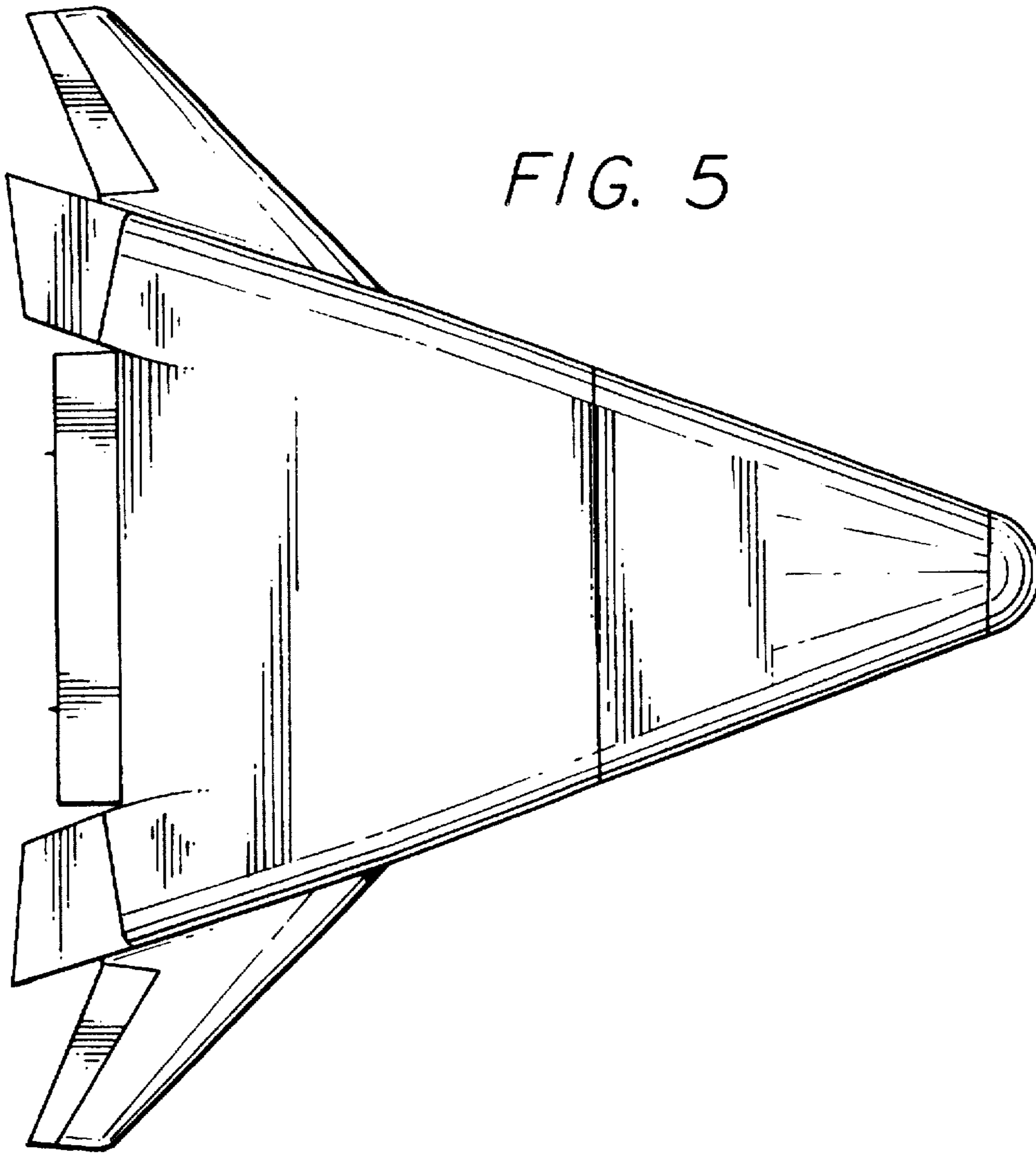


FIG. 5

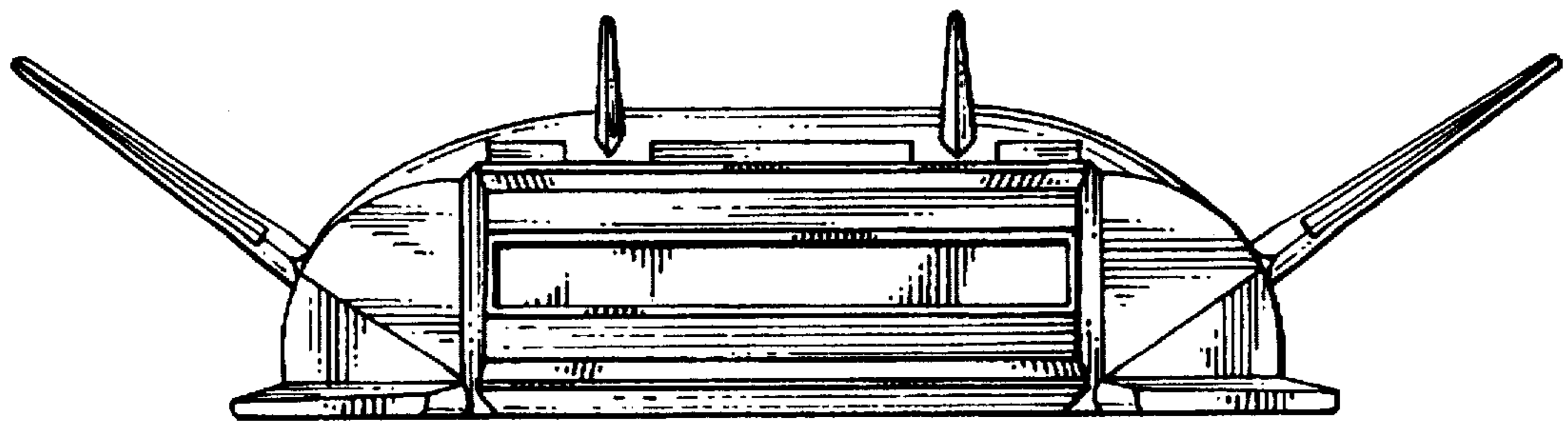


FIG. 6