



US00D396681S

United States Patent [19]

Boyer

[11] Patent Number: **Des. 396,681**

[45] Date of Patent: ****Aug. 4, 1998**

[54] **FRONT SIDE OF A WHEEL COVER FOR VEHICLES**

[75] Inventor: **Boyke Boyer, Munich, Germany**

[73] Assignee: **Bayerische Motoren Werke Aktiengesellschaft, Munich, Germany**

[**] Term: **14 Years**

[21] Appl. No.: **64,570**

[22] Filed: **Jan. 6, 1997**

[30] Foreign Application Priority Data

Jul. 6, 1996 [DE] Germany 96 05 718.1

[51] LOC (6) Cl. 12-16

[52] U.S. Cl. D12/209

[58] Field of Search D12/204-213;
301/64.1, 65, 37.1

[56] References Cited

U.S. PATENT DOCUMENTS

D. 197,841 3/1964 Deaver D12/209
D. 267,564 1/1983 Wright D12/211

D. 347,203 5/1994 Buyze et al. D12/211
D. 363,913 11/1995 Chung D12/209
D. 368,885 4/1996 Wagner D12/209
D. 372,699 8/1996 Mantua D12/209
D. 375,478 11/1996 Pfeiffer D12/209
D. 380,432 7/1997 Hettler D12/209

Primary Examiner—James Gandy
Assistant Examiner—Stacia Sinuik
Attorney, Agent, or Firm—Evenson McKeown Edwards & Lenahan PLLC

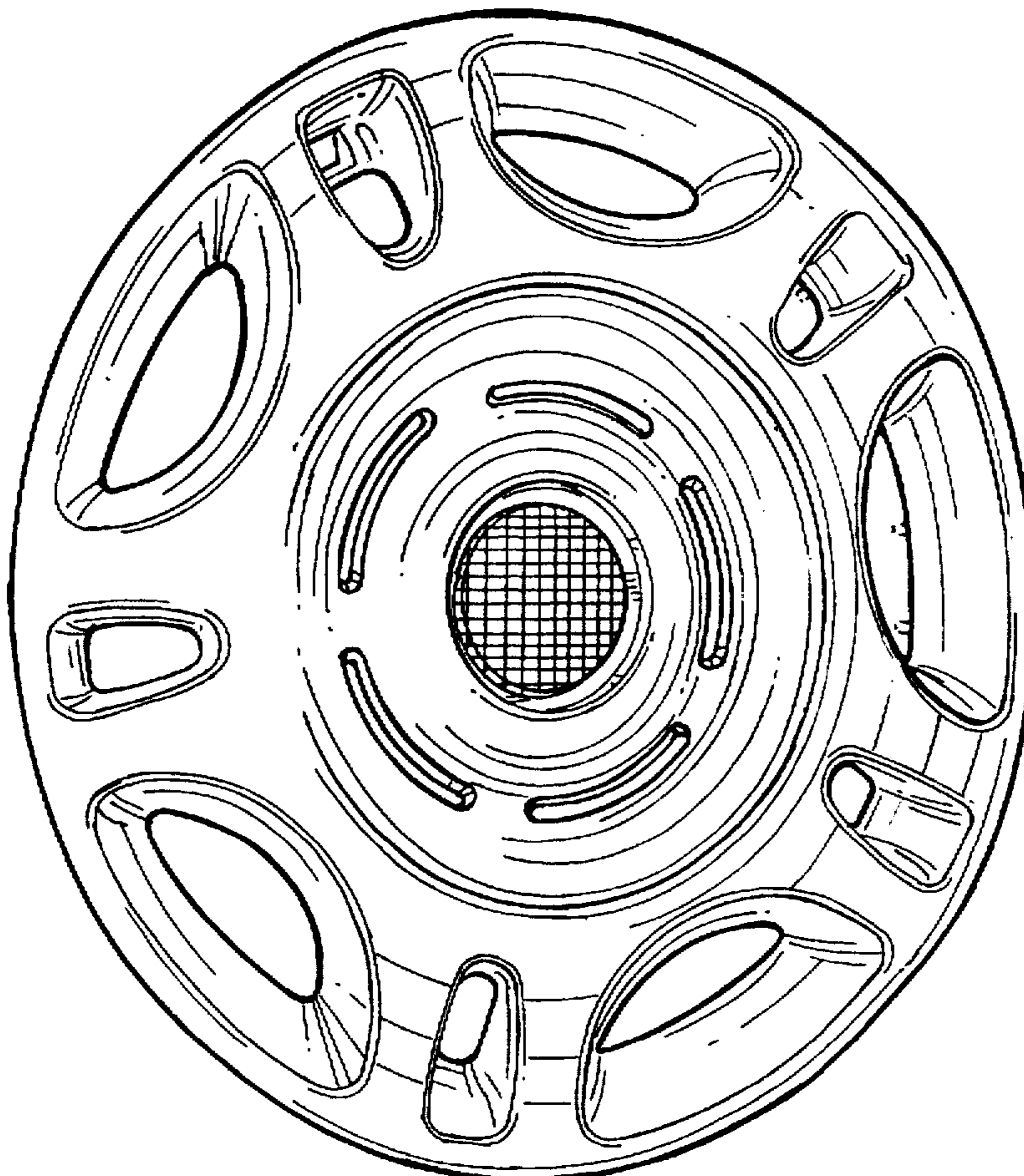
[57] CLAIM

The ornamental design for a front side of a wheel cover for vehicles, as shown and described.

DESCRIPTION

FIG. 1 is a front view of a front side of a wheel cover for vehicles according to my novel design; and, FIG. 2 is a perspective front view of a front side of a wheel cover for vehicles according to my novel design. The broken line showing of environment in FIG. 2 is for illustrative purposes only and forms no part of the claimed design. The hatched shading in the central hub area in FIGS. 1 and 2 is understood to represent the color black.

1 Claim, 1 Drawing Sheet



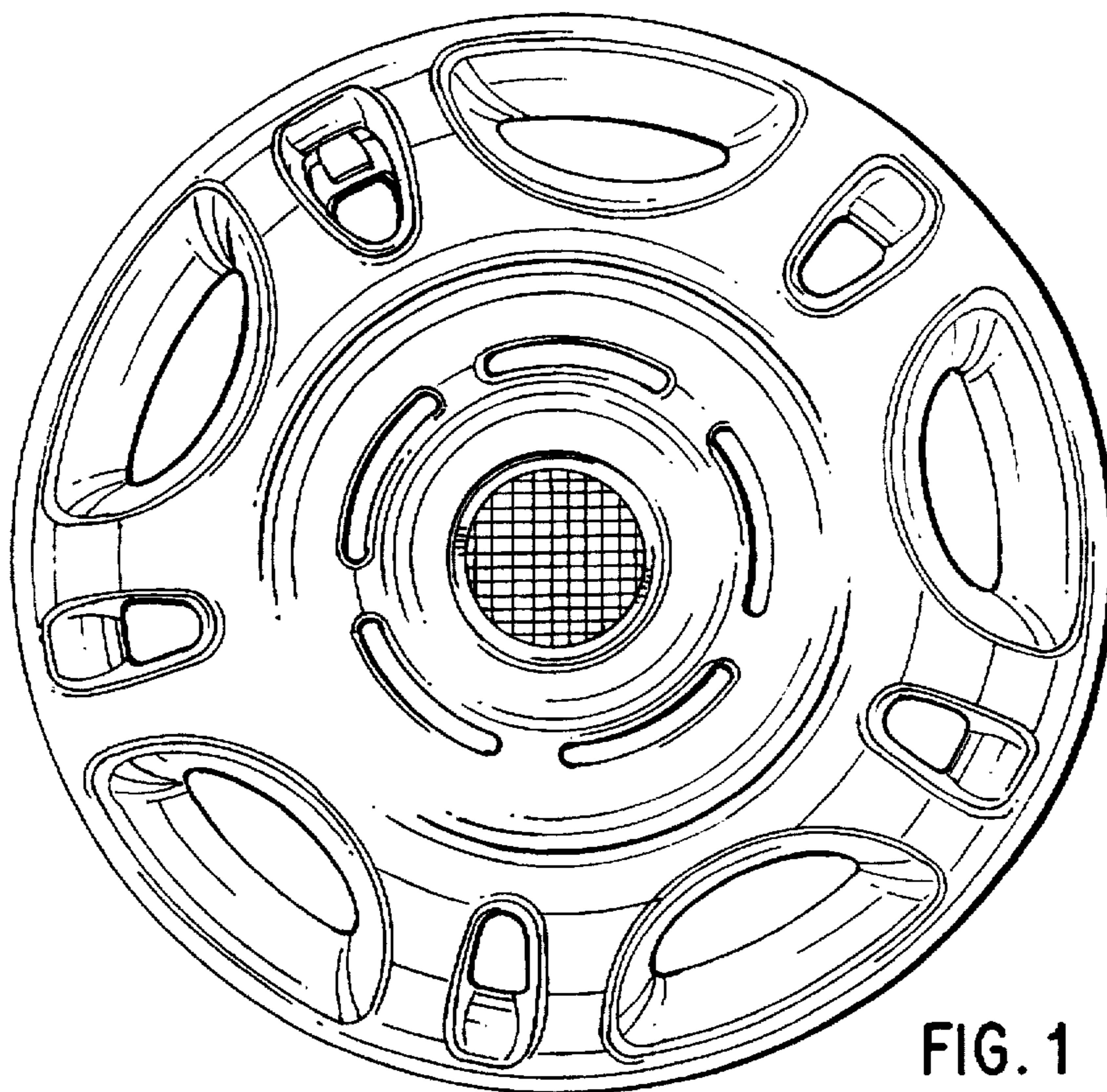


FIG. 1

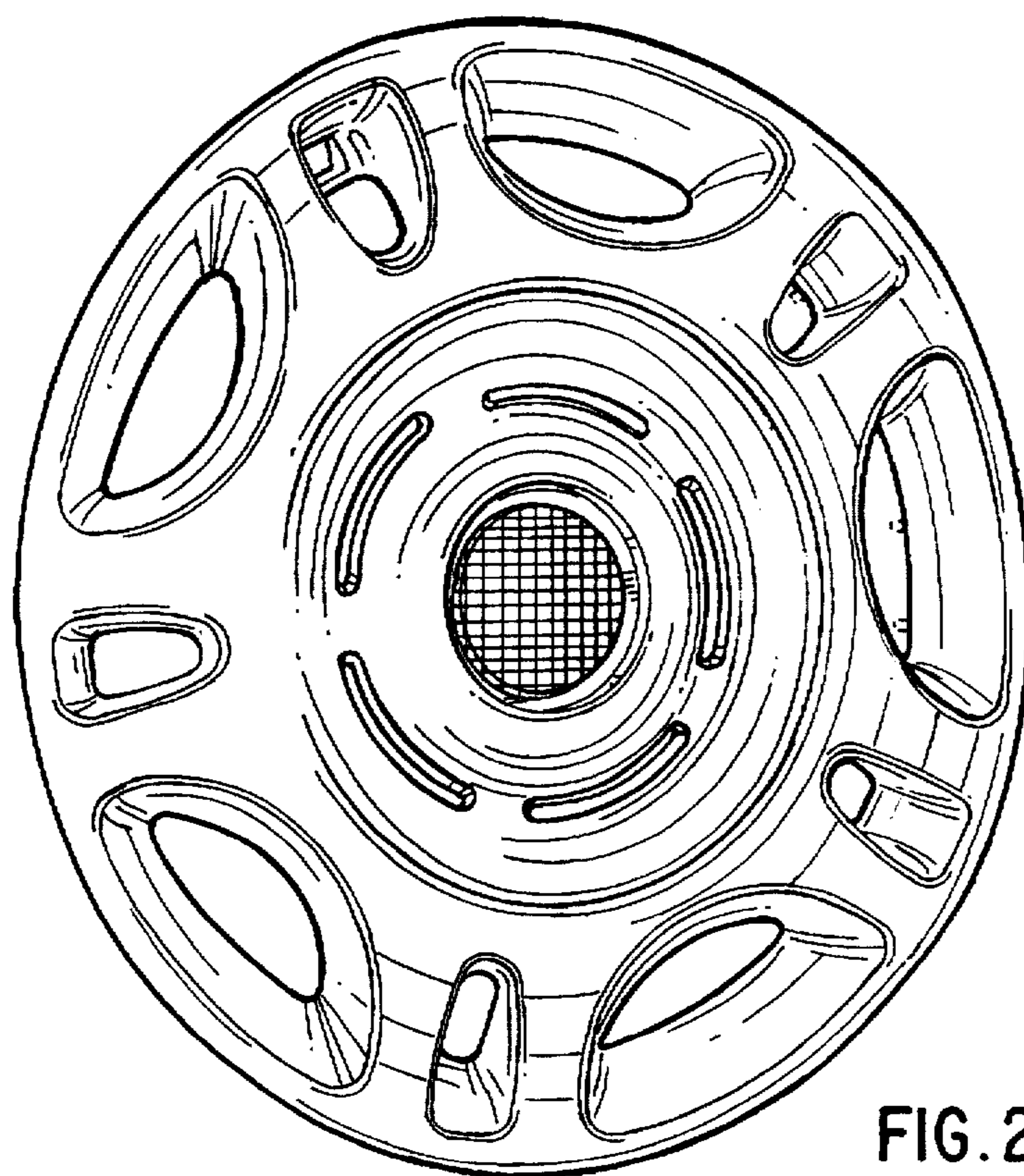


FIG. 2