



US00D396678S

United States Patent [19]

Shklyaver

[11] Patent Number: **Des. 396,678**

[45] Date of Patent: ****Aug. 4, 1998**

[54] **PUSH BUMPER WITH SIDE GUARDS FOR MOUNTING TO A BUMPER OF A CAR**

[76] Inventor: **Leo Shklyaver**, 840 E. 8th St., Brooklyn, N.Y. 11230

[**] Term: **14 Years**

[21] Appl. No.: **60,847**

[22] Filed: **Oct. 8, 1996**

[51] LOC (6) Cl. **12-16**

[52] U.S. Cl. **D12/171**

[58] Field of Search D12/167, 171, D12/172; 293/38, 115, 144

[56] References Cited

U.S. PATENT DOCUMENTS

D. 152,939	3/1949	Bustin	D12/171
D. 361,316	8/1995	Orth, Sr. et al.	D12/171
5,215,343	6/1993	Fortune	293/115

FOREIGN PATENT DOCUMENTS

2 269 566	2/1994	United Kingdom	293/115
WO 94/01306	1/1994	WIPO	293/115

OTHER PUBLICATIONS

J.C. Whitney Catalog #565J, Grille Guard With Wraparound Brush Guard, Center col., p. 4, May 12, 1994.
 J.C. Whitney Catalog #578J, Grille Guard With Wraparound Brush Guard, 4th col., p. 120, Aug. 7, 1995.

J.C. Whitney Catalog #580-2C, Custom-Fit Safari-Vehicle-Style Grille/Brush Guards, Right col., p. 119, Aug. 7, 1995.

Primary Examiner—Robert M. Spear
Attorney, Agent, or Firm—Goodman & Teitelbaum, Esqs.

[57] CLAIM

The ornamental design for a push bumper with side guards for mounting to a bumper of a car, as shown and described.

DESCRIPTION

FIG. 1 is a front perspective view of a push bumper with side guards for mounting to a bumper of a car, showing my new design;

FIG. 2 is a top plan view thereof;

FIG. 3 is a front elevational view thereof;

FIG. 4 is a rear elevational view thereof;

FIG. 5 is a bottom plan view thereof;

FIG. 6 is a left side elevational view thereof;

FIG. 7 is a left side elevational view thereof with the rear mounting parts removed for ease of disclosure; and,

FIG. 8 is a right side elevational view thereof with the rear mounting parts removed for ease of disclosure.

1 Claim, 3 Drawing Sheets

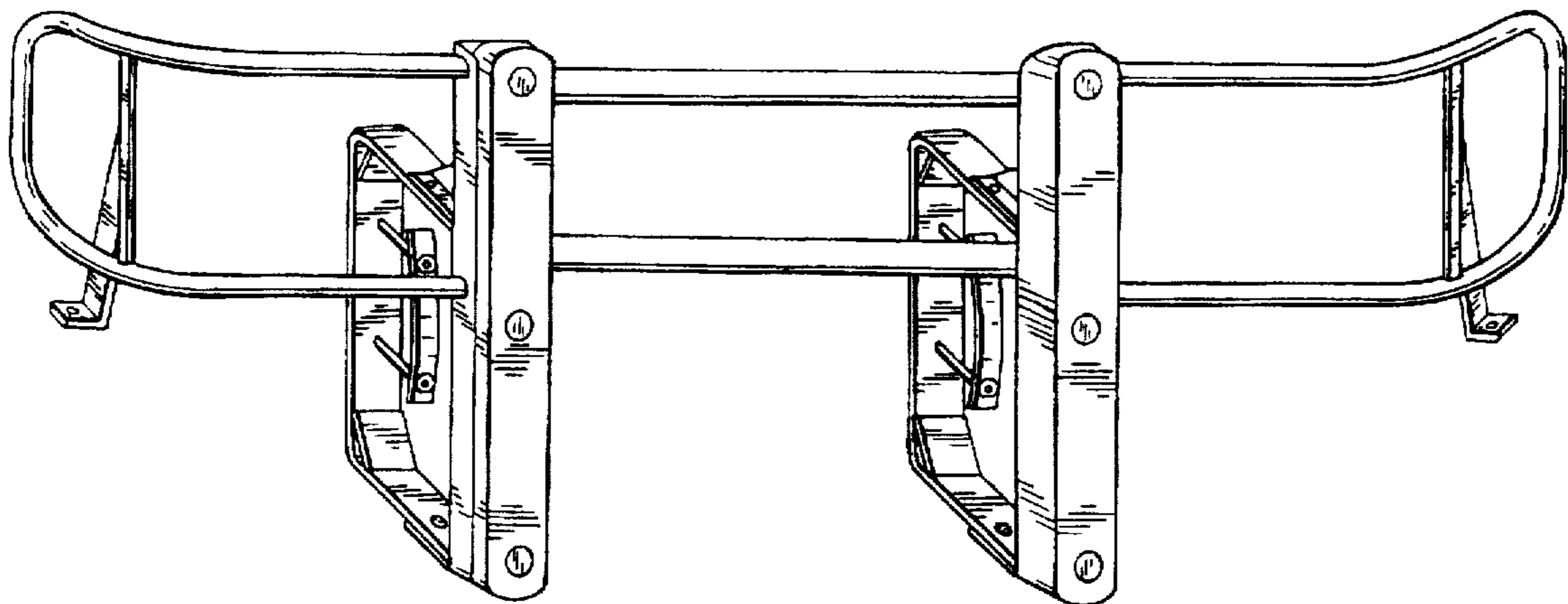


FIG. 1

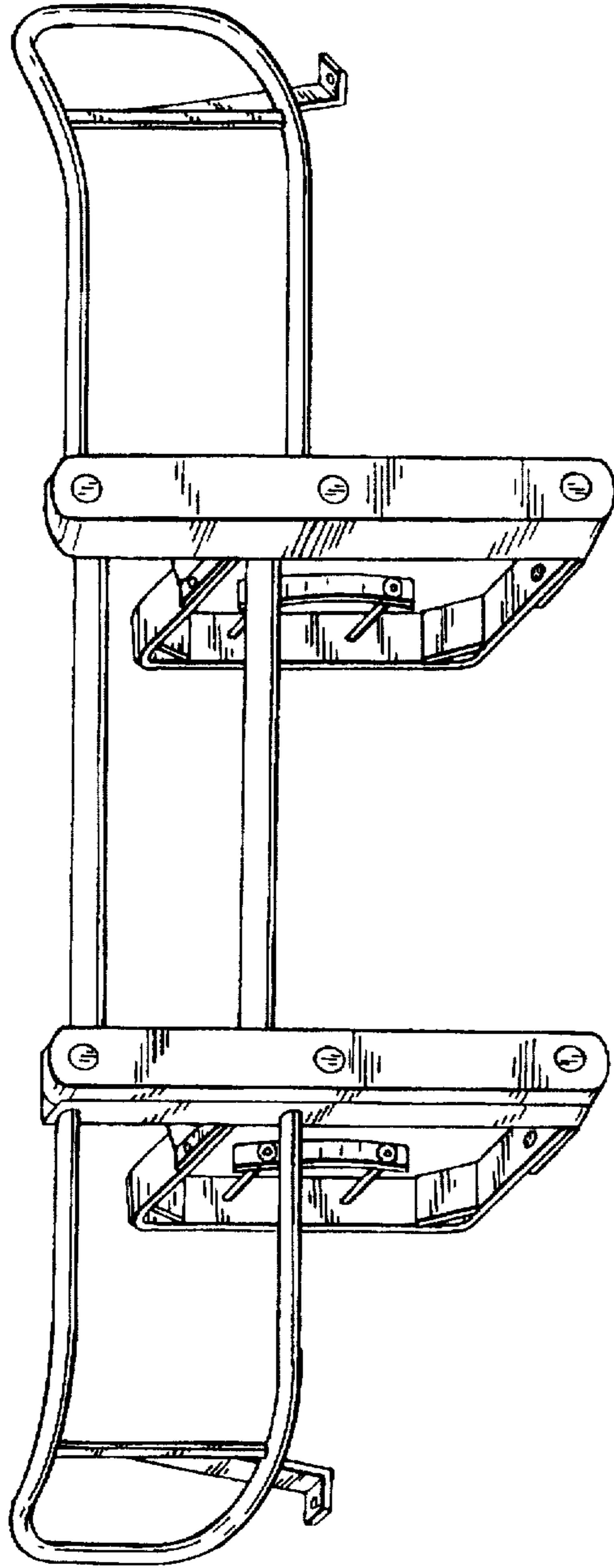


FIG. 2

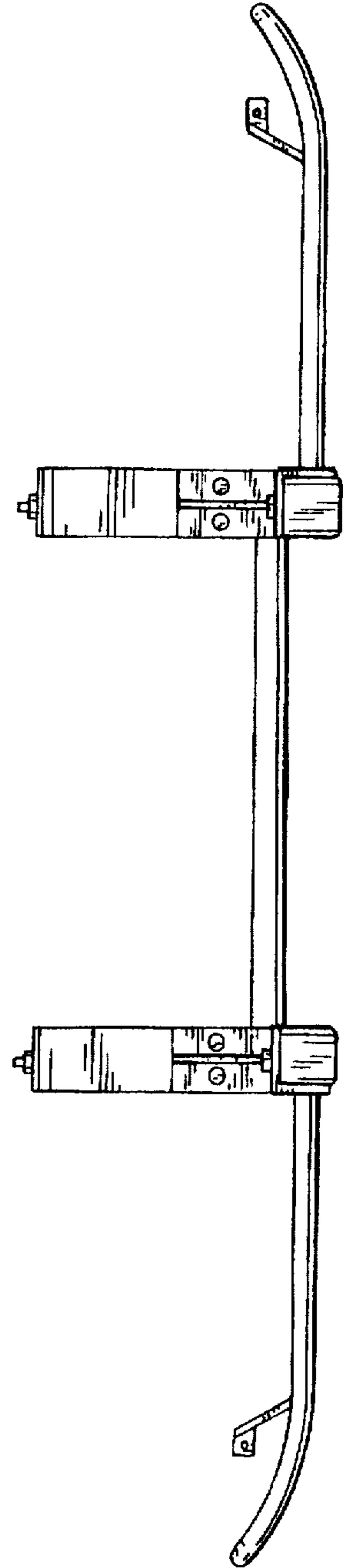


FIG. 3

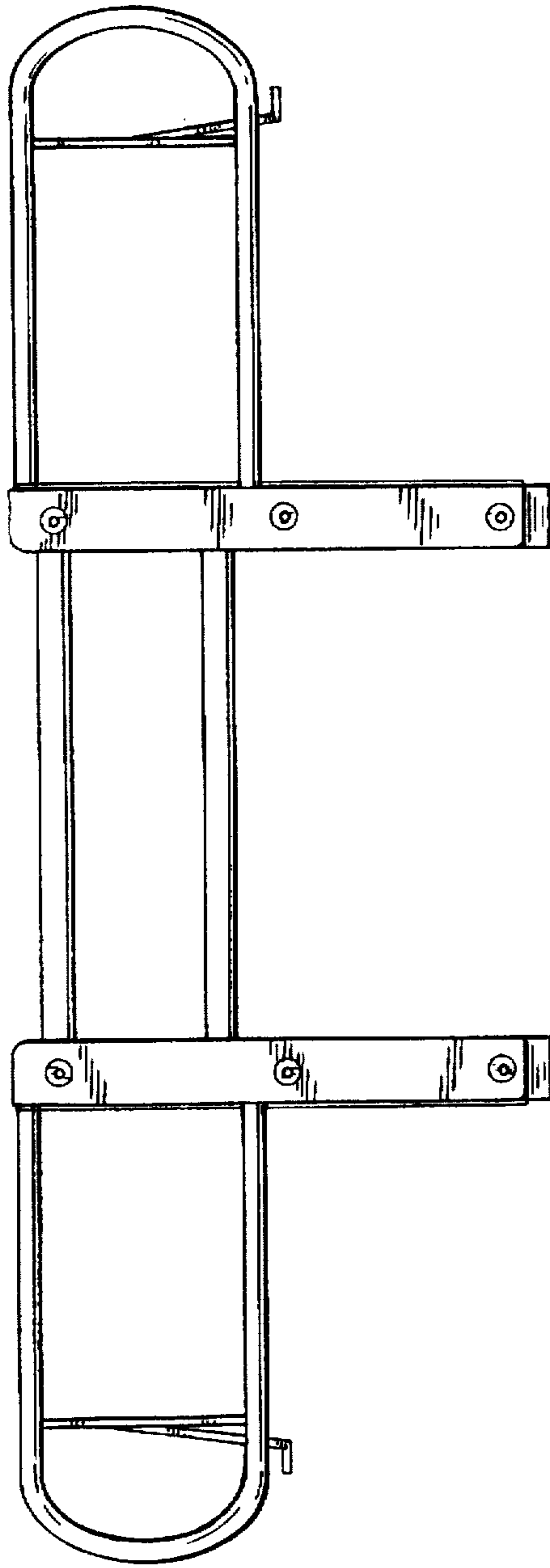


FIG. 4

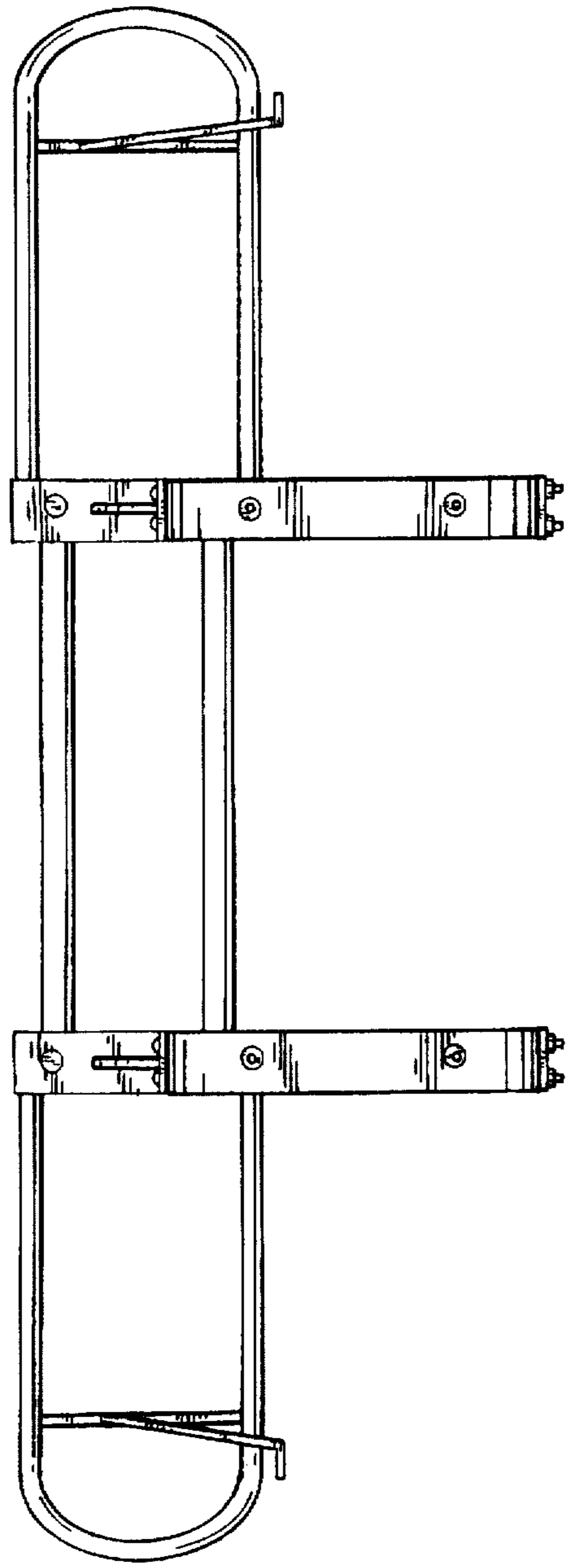


FIG. 5

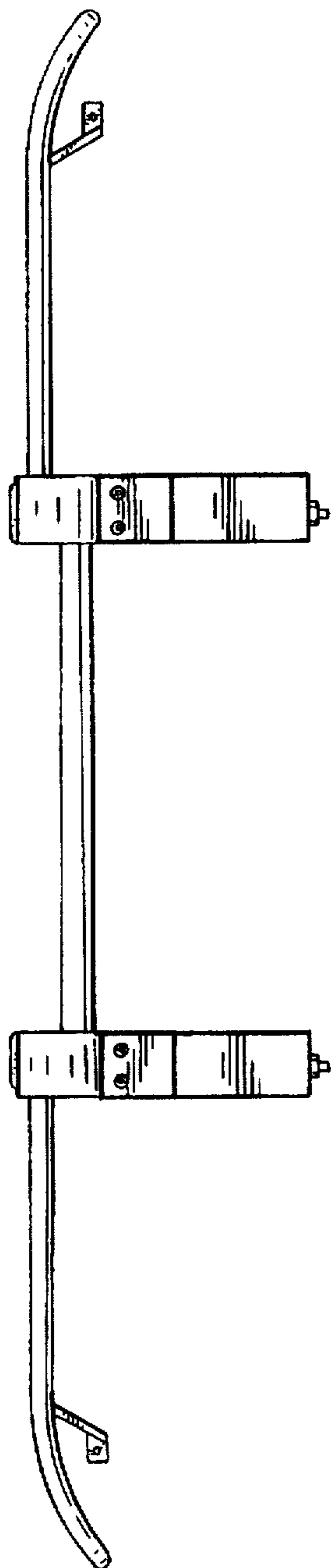


FIG. 6

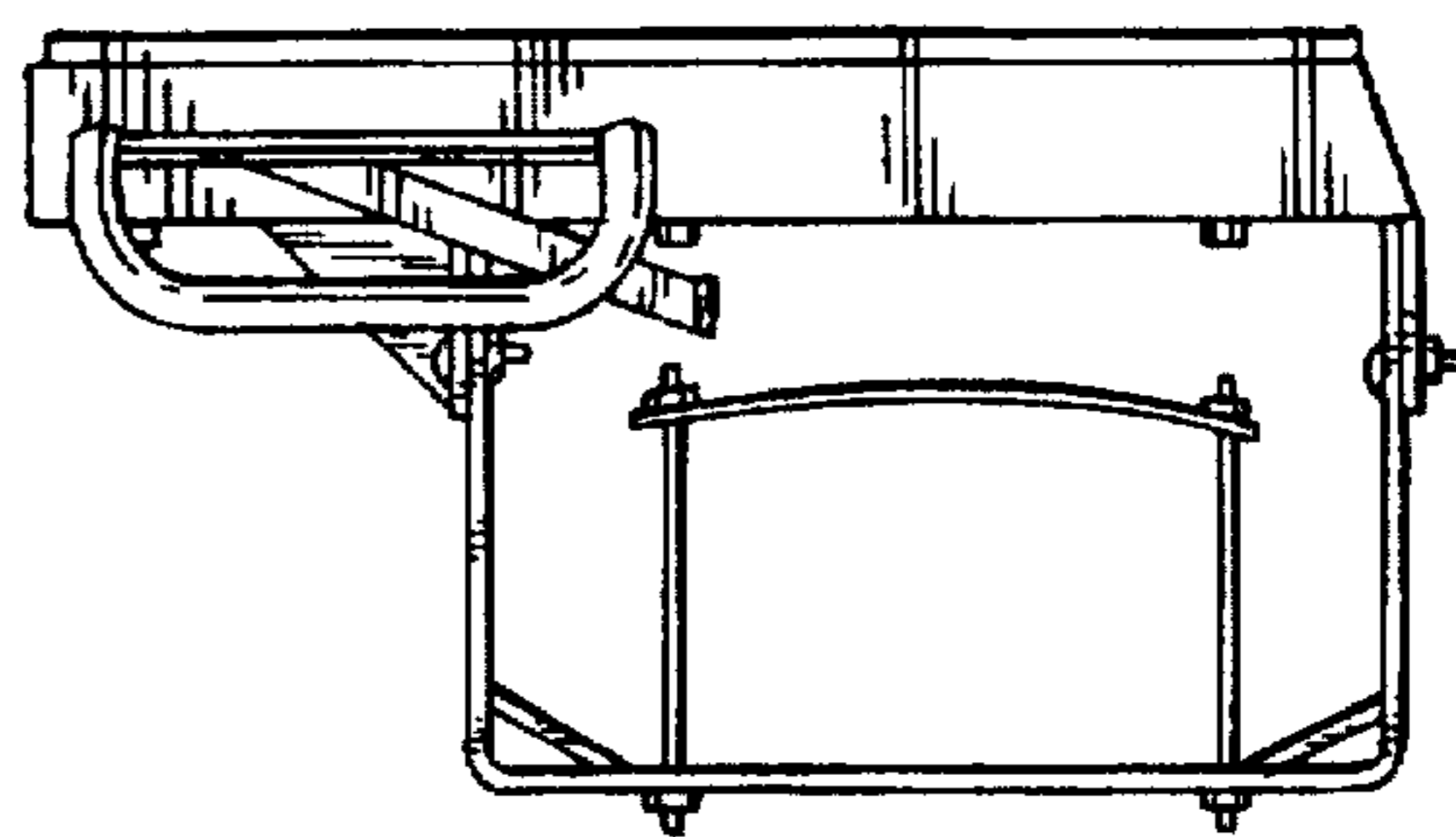


FIG. 7

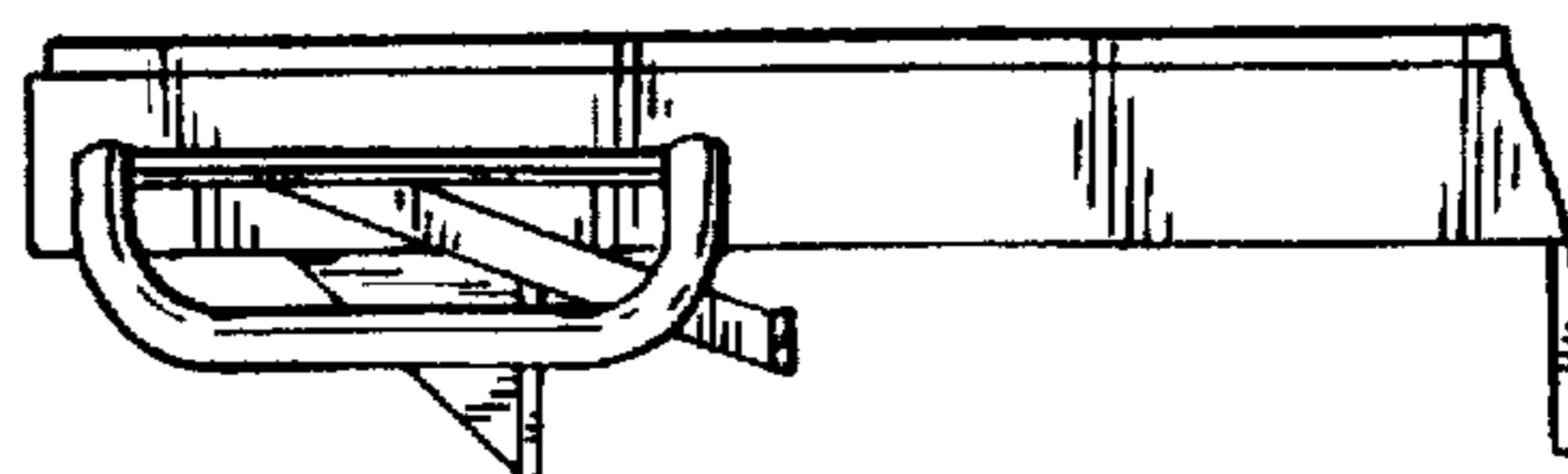


FIG. 8

