



US00D396673S

United States Patent [19]

Micoley

[11] Patent Number: **Des. 396,673**

[45] Date of Patent: ****Aug. 4, 1998**

[54] **STROLLER**

[75] Inventor: **Scott Howard Micoley, Cederburg, Wis.**

[73] Assignee: **Gerry Baby Products, Thornton, Colo.**

[**] Term: **14 Years**

[21] Appl. No.: **61,510**

[22] Filed: **Oct. 25, 1996**

[51] LOC (6) Cl. **12-12**

[52] U.S. Cl. **D12/129**

[58] Field of Search **D12/128-133;**
280/30, 642, 644, 647, 648, 649, 650, 643,
47.36, 47.371, 33.998

D. 352,259	11/1994	Kaneko	D12/129
D. 352,923	11/1994	Kassai	D12/129
D. 357,439	4/1995	Haut et al.	D12/129
D. 357,440	4/1995	Pietra	D12/133
D. 359,015	6/1995	Wang	D12/129
D. 361,049	8/1995	Beckman	D12/129
D. 362,832	10/1995	Haut et al.	D12/129
D. 363,260	10/1995	Huang	D12/128
D. 365,710	1/1996	Cunningham	D6/491
D. 365,784	1/1996	Wennerstrom et al.	D12/129
D. 370,438	6/1996	Haut et al.	D12/129
3,575,461	4/1971	Goldman et al.	296/28
3,689,099	9/1972	Patterson	280/38
3,967,342	7/1976	Gebhard	16/48
4,108,468	8/1978	Orlanski	280/648
4,173,355	11/1979	Perego	280/642
4,216,974	8/1980	Kassai	280/42
4,232,897	11/1980	Maclaren et al.	297/45
4,241,930	12/1980	Bell et al.	280/47.29
4,428,598	1/1984	Kassai	280/644

(List continued on next page.)

[56] **References Cited**

U.S. PATENT DOCUMENTS

D. 274,714	7/1984	Cone	D12/129
D. 296,540	7/1988	Perego	D12/129
D. 298,815	12/1988	Kassai	D12/129
D. 300,310	3/1989	Kassai	D12/129
D. 305,012	12/1989	Bigo et al.	D12/129
D. 305,013	12/1989	Bigo et al.	D12/129
D. 305,316	1/1990	Lin	D12/129
D. 305,317	1/1990	Kassai	D12/129
D. 307,249	4/1990	Yee et al.	D12/129
D. 307,250	4/1990	Kassai	D12/129
D. 307,879	5/1990	Giambone	D12/129
D. 308,656	6/1990	Takahashi et al.	D12/129
D. 310,645	9/1990	Julien	D12/129
D. 311,363	10/1990	Lin	D12/129
D. 317,280	6/1991	Takahashi et al.	D12/129
D. 319,906	9/1991	Takahashi et al.	D34/19
D. 320,370	10/1991	Takahashi et al.	D12/129
D. 321,850	11/1991	Mong-Hsing	D12/129
D. 322,420	12/1991	Hawkes	D12/129
D. 325,550	4/1992	Kato et al.	D12/129
D. 328,047	7/1992	Huang	D12/129
D. 329,832	9/1992	Ishikura et al.	D12/129
D. 331,208	11/1992	Peebles et al.	D12/129
D. 335,642	5/1993	Huang	D12/129
D. 340,012	10/1993	Azzarelli	D12/133
D. 346,141	4/1994	McConnell	D12/133
D. 348,637	7/1994	Globerman et al.	D12/129

FOREIGN PATENT DOCUMENTS

0 258 826 3/1988 European Pat. Off. B62B 7/08

Primary Examiner—Kay H. Chin
Attorney, Agent, or Firm—Robert G. Crouch; Holland & Hart LLP

[57] **CLAIM**

The ornamental design for a stroller, as shown and described.

DESCRIPTION

FIG. 1 is a perspective view of the retro-look carriage stroller showing our new design;
FIG. 2 is a front elevation thereof;
FIG. 3 is a rear elevation view thereof;
FIG. 4 is a left side elevation view thereof;
FIG. 5 is a top plan view thereof;
FIG. 6 is a bottom plan view thereof;
FIG. 7 is a right side elevation view thereof; and,
FIG. 8 is a perspective view of the retro-look carriage stroller with the canopy retracted.

1 Claim, 3 Drawing Sheets



U.S. PATENT DOCUMENTS

4,542,915	9/1985	Wheeler, III et al.	280/642	5,104,180	4/1992	Takahashi et al.	297/16
4,564,212	1/1986	Orlandino et al.	280/642	5,121,940	6/1992	March	280/644
4,582,355	4/1986	Hall	296/78 A	5,123,767	6/1992	Ishikura et al.	403/24
4,606,550	8/1986	Cone	280/642	5,143,398	9/1992	Teng	280/642
4,632,421	12/1986	Shamie	280/642	5,144,717	9/1992	Siesholtz et al.	16/47
4,725,071	2/1988	Shamie	280/643	5,149,115	9/1992	Sampedro	280/33.998
4,741,551	5/1988	Perego	280/642	5,158,319	10/1992	Norcia et al.	280/643
4,762,335	8/1988	Kassai	280/649	5,167,425	12/1992	Chen	280/648
4,763,911	8/1988	Gebhard et al.	280/37	5,168,601	12/1992	Liu	16/126
4,763,919	8/1988	Nakao et al.	280/644	5,181,735	1/1993	Onishi	280/642
4,765,644	8/1988	Bell	280/641	5,184,835	2/1993	Huang	280/47.371
4,765,645	8/1988	Shamie	280/644	5,192,091	3/1993	Liu	280/644
4,768,795	9/1988	Mar	280/30	5,195,770	3/1993	Ishikura	280/648
4,773,124	9/1988	Nakao et al.	16/35 R	5,197,753	3/1993	Liu	280/642
4,779,879	10/1988	Kassai	280/47.36	5,201,535	4/1993	Kato et al.	280/30
4,805,928	2/1989	Nakao et al.	280/642	5,203,577	4/1993	Kato et al.	280/30
4,813,739	3/1989	Miller	297/184	5,205,577	4/1993	Liu	280/642
4,817,982	4/1989	Kassai	280/644	5,205,578	4/1993	Liu	280/642
4,819,958	4/1989	Perego	280/644	5,205,579	4/1993	Kato et al.	280/642
4,832,361	5/1989	Nakao et al.	280/642	5,230,523	7/1993	Wilhelm	280/30
4,836,573	6/1989	Gebhard	280/644	5,244,228	9/1993	Chiu	280/642
4,848,787	7/1989	Kassai	280/642	5,256,025	10/1993	Williamson	414/490
4,856,809	8/1989	Kohus et al.	280/644	5,257,799	11/1993	Cone et al.	280/642
4,892,327	1/1990	Cabagnero	280/650	5,382,074	1/1995	Pietra	297/153
4,906,017	3/1990	Kassai	280/642	5,417,450	5/1995	Wang	280/642
4,915,401	4/1990	Severson et al.	280/30	5,454,584	10/1995	Haut et al.	280/642
4,921,270	5/1990	Schoberg	280/655.1	5,472,224	12/1995	Cabagnero	280/642
5,056,805	10/1991	Wang	280/47.36	5,490,685	2/1996	Kitayama et al.	280/47.38
5,071,146	12/1991	Lewis et al.	280/30	5,522,639	6/1996	Jaime	297/184.13
				5,531,238	7/1996	Azzarelli et al.	135/66



FIG. 1

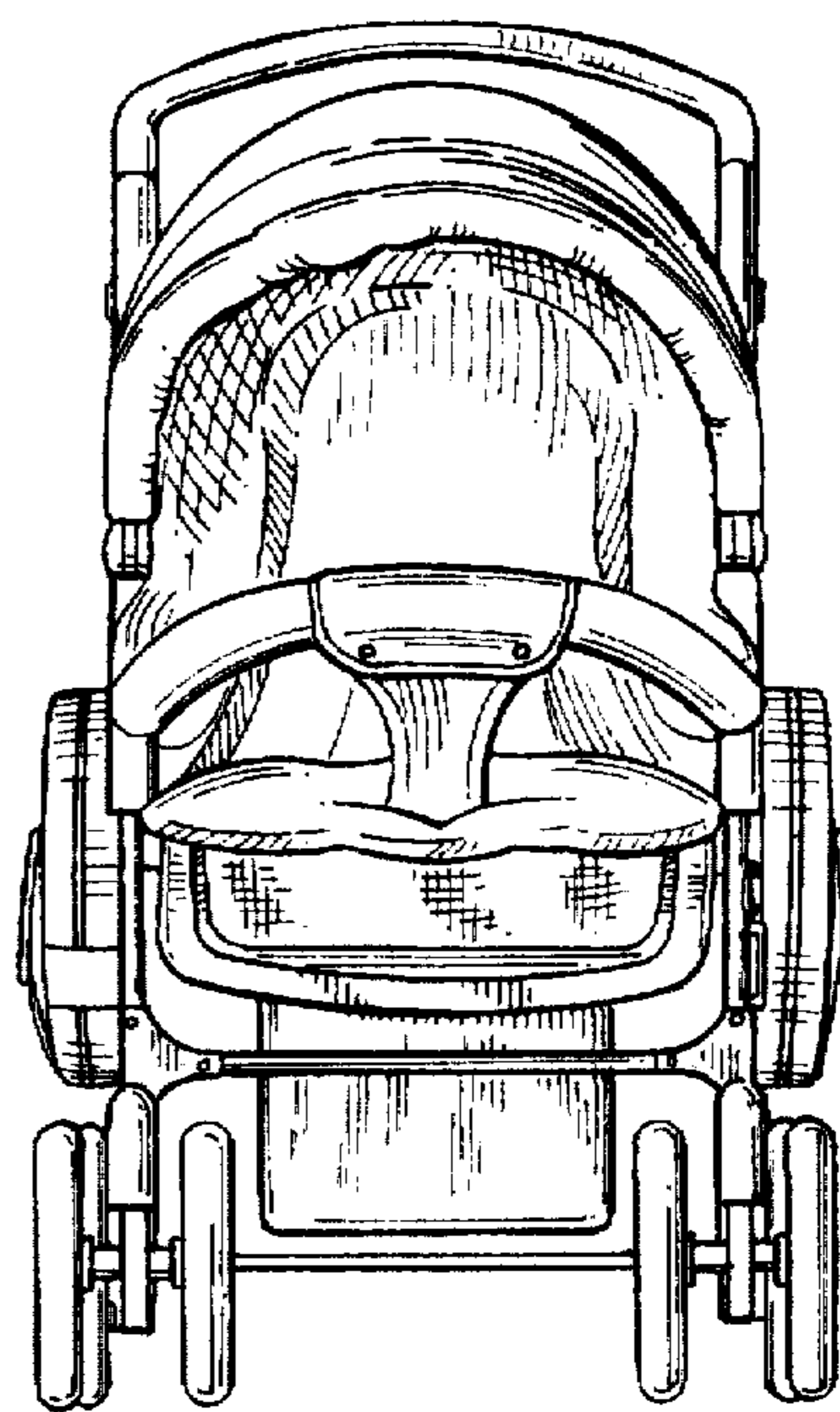


FIG. 2

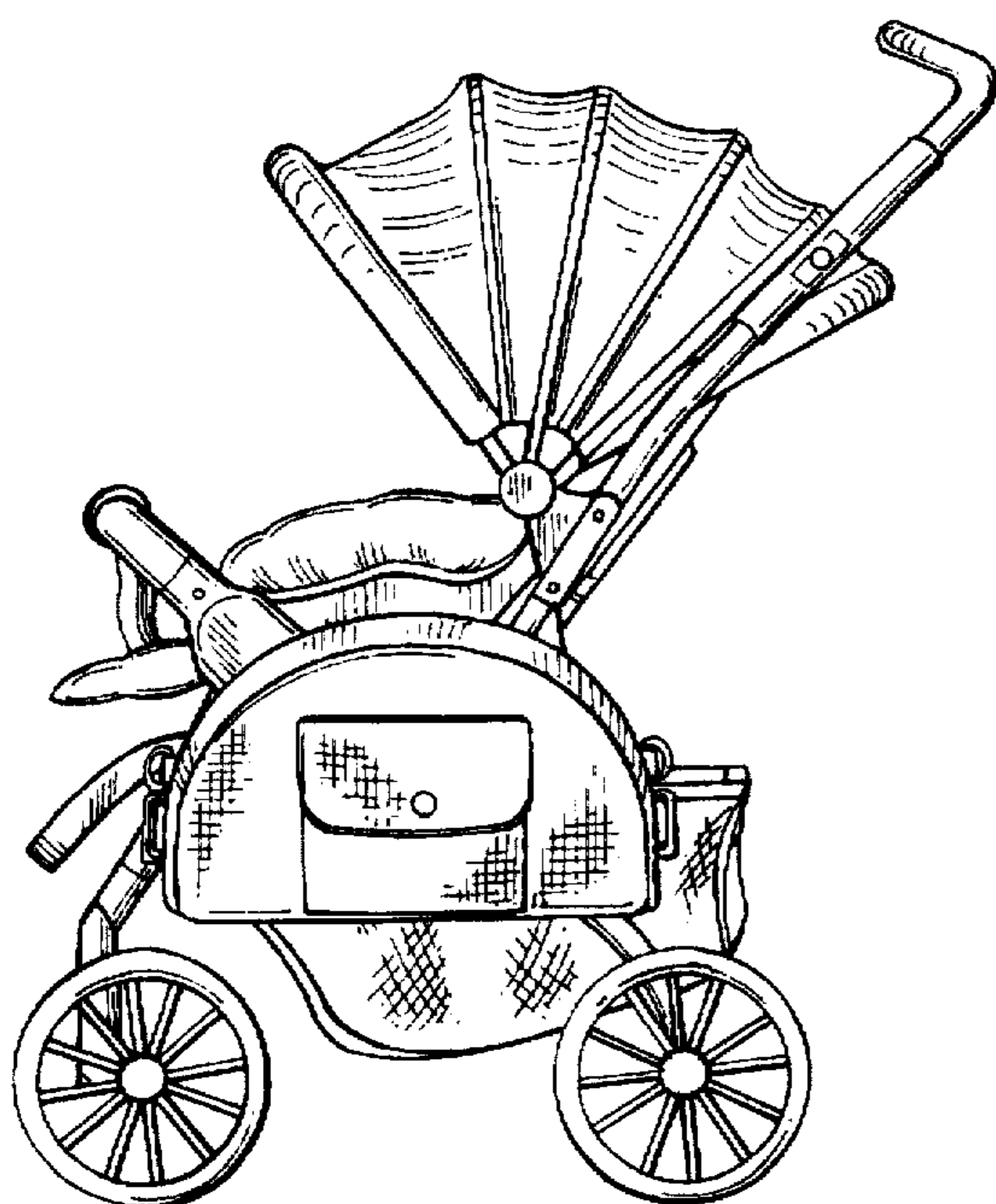


FIG. 4

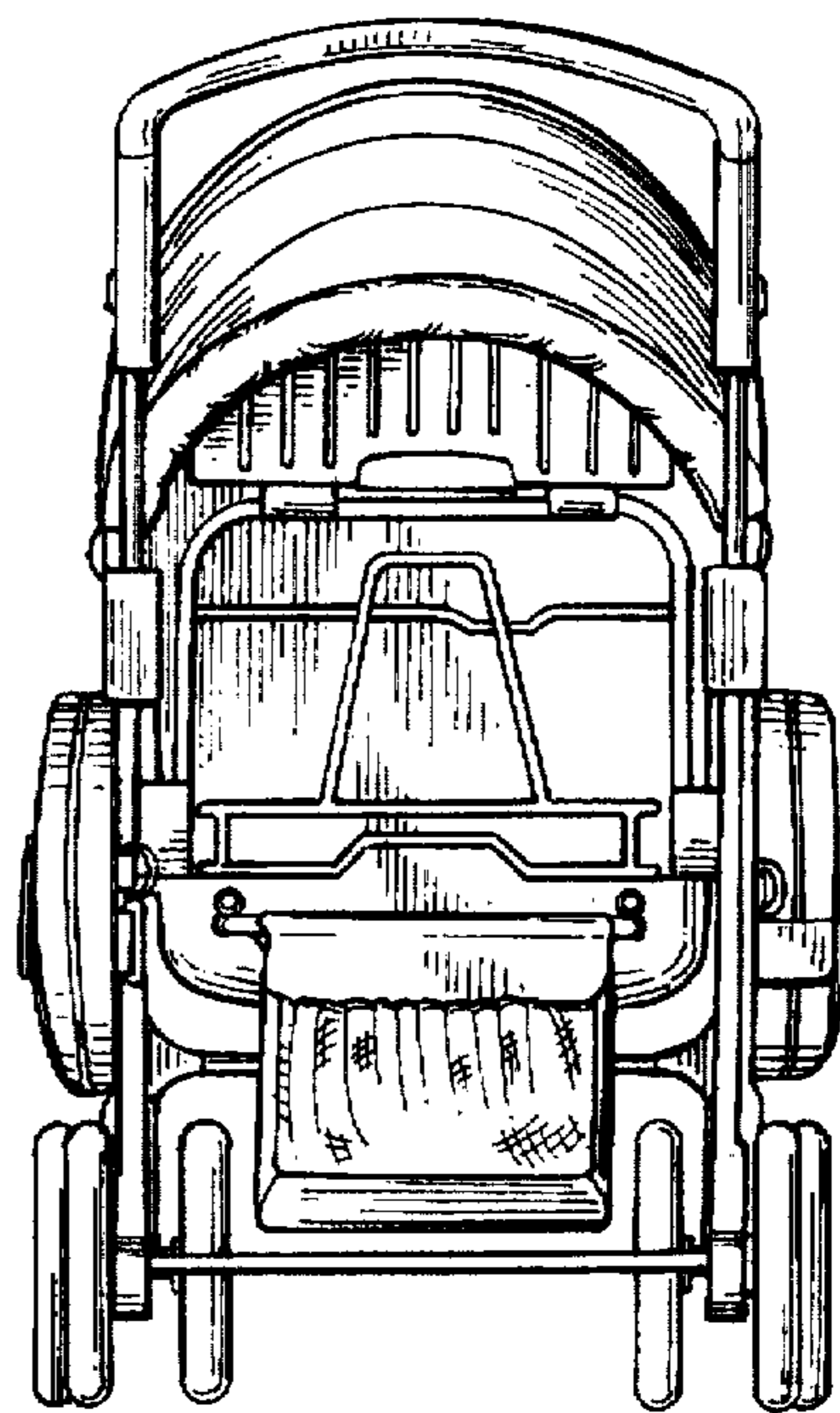


FIG. 3

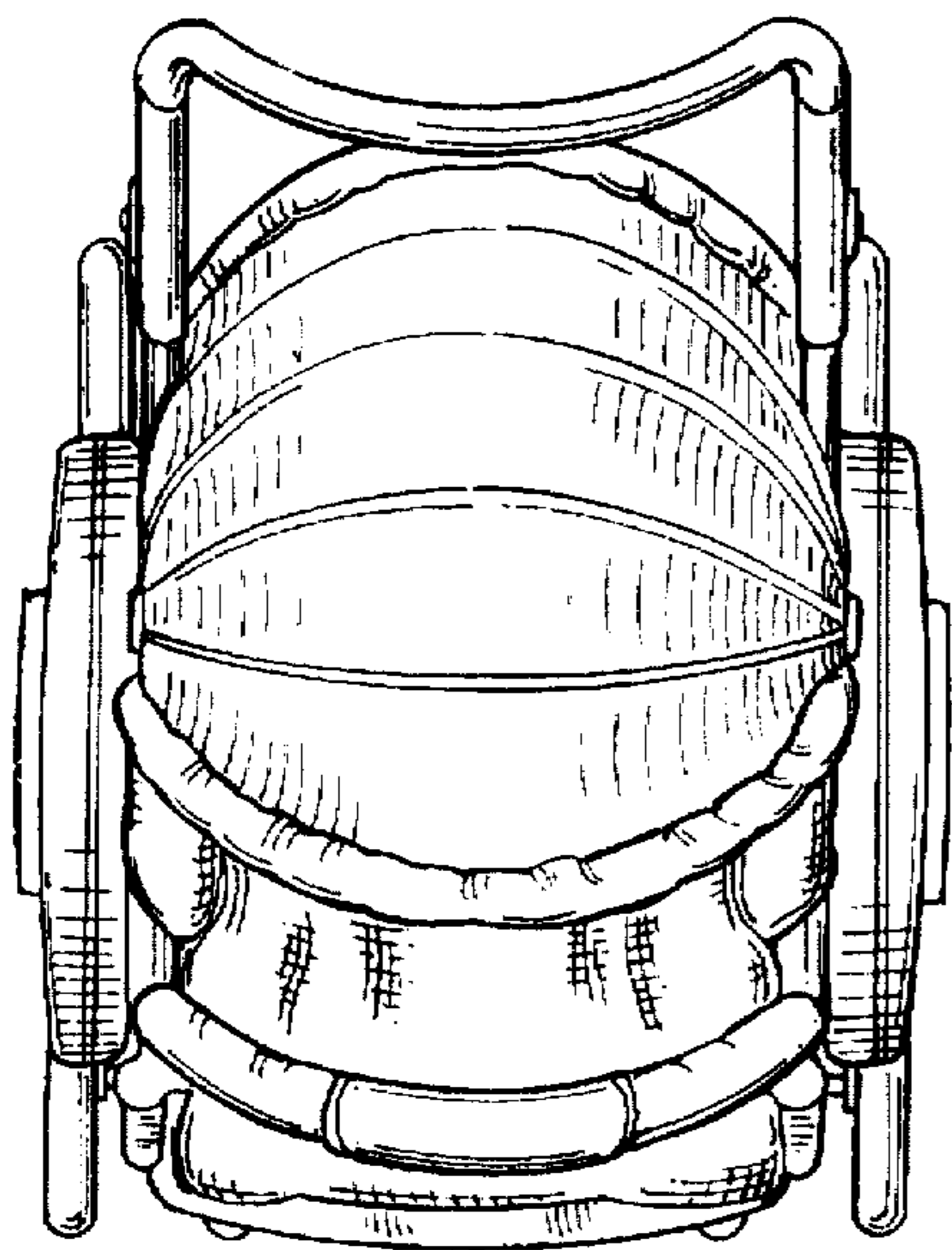


FIG. 5

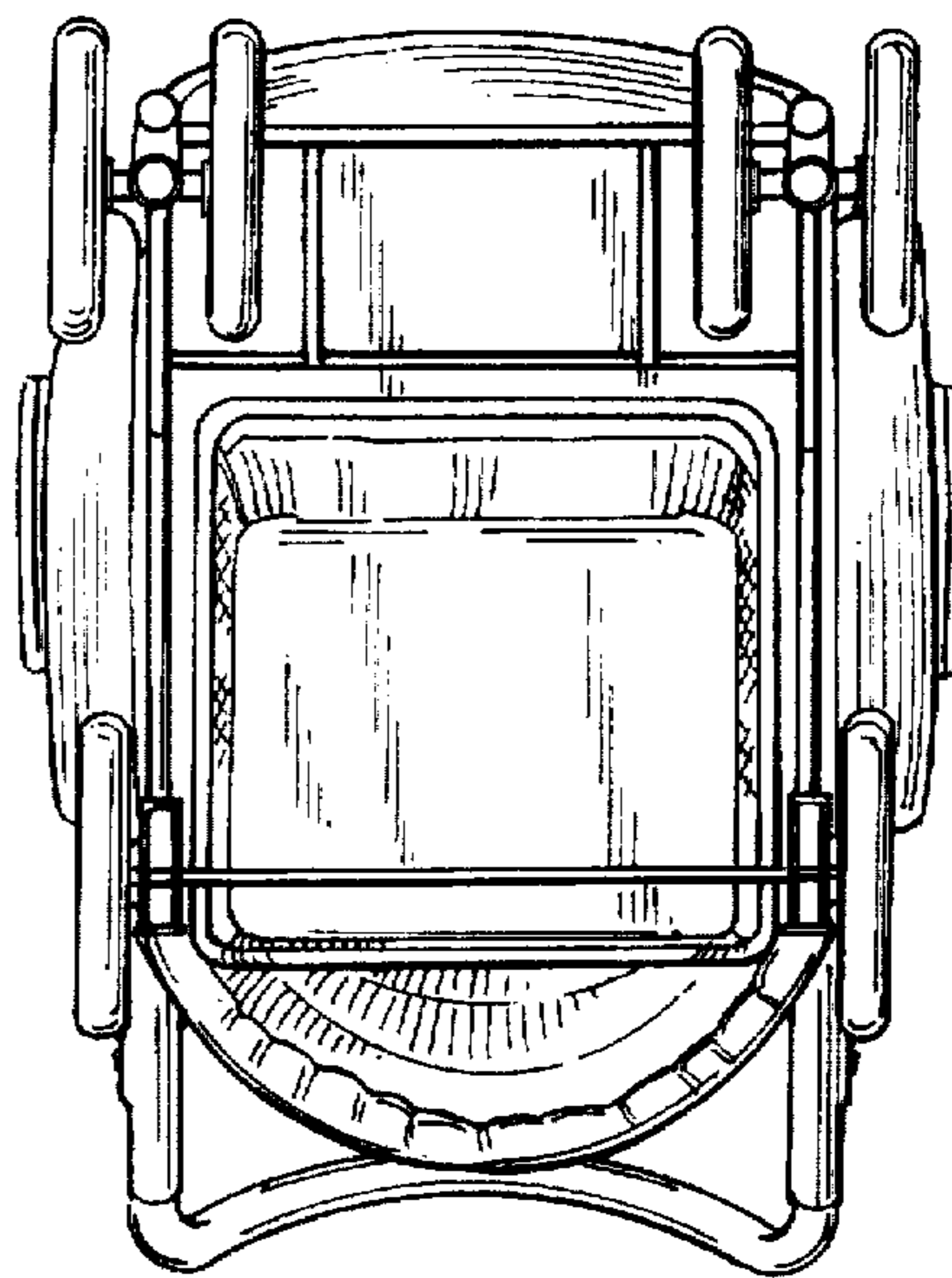


FIG. 6

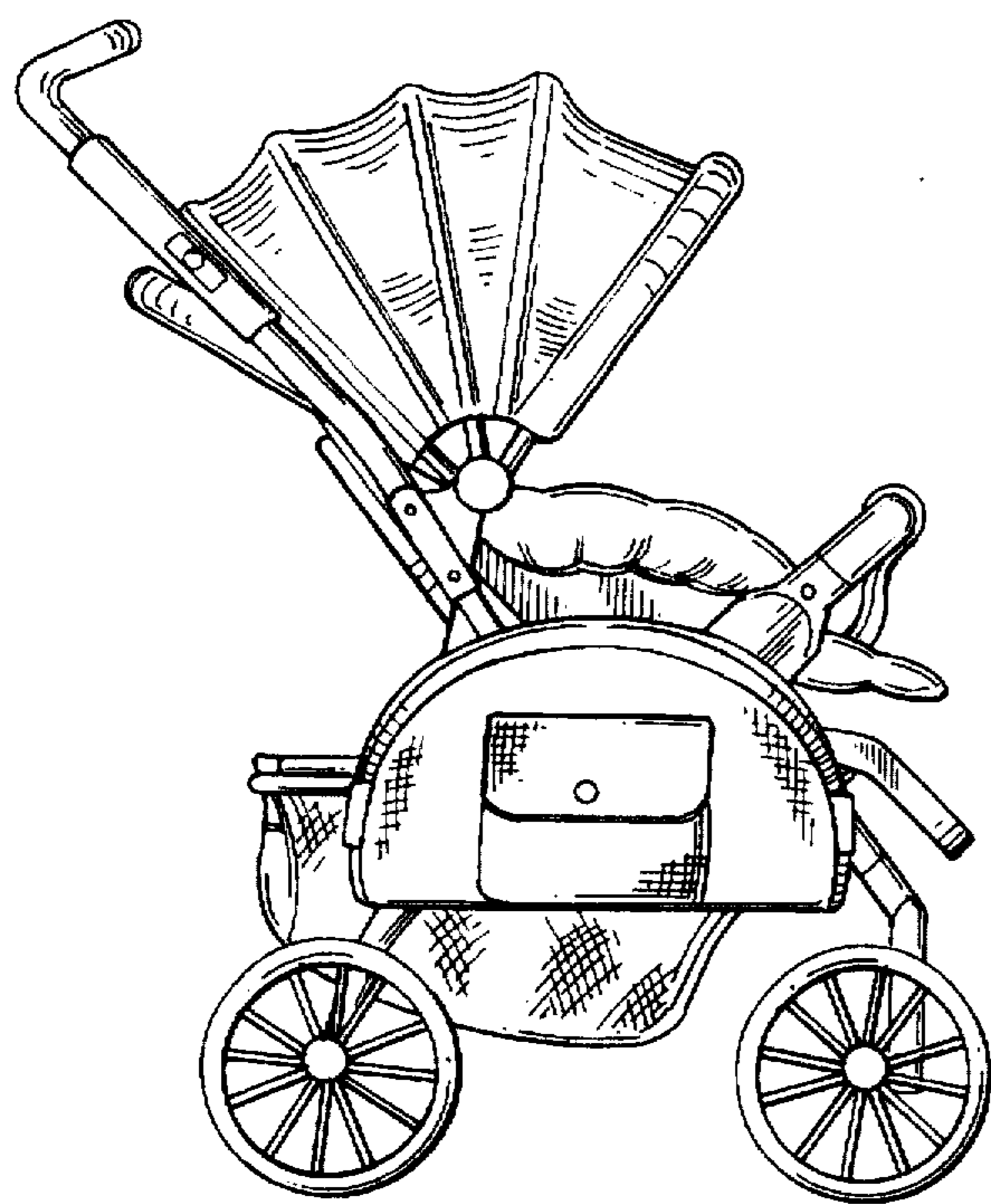


FIG. 7



FIG. 8