



US00D396669S

United States Patent [19]
Wilson

[11] **Patent Number: Des. 396,669**
[45] **Date of Patent: **Aug. 4, 1998**

[54] **POST FOR A TRAILER COUPLER**
[76] Inventor: **James E. Wilson**, P.O. Box 1311,
Chickasha, Okla. 73023
[**] Term: **14 Years**
[21] Appl. No.: **65,598**
[22] Filed: **Jan. 30, 1997**
[51] **LOC (6) Cl.** **12-10**
[52] **U.S. Cl.** **D12/106**
[58] **Field of Search** D12/106; D34/31;
D8/349; D25/68; 52/23; 280/764.1; 296/181.
183; 403/102, 113; 254/94, 45, 420, 93 H,
86

4,015,822 4/1977 Rosmussen 254/45

FOREIGN PATENT DOCUMENTS

757501 9/1956 United Kingdom .

OTHER PUBLICATIONS

Exhibit A—Photo 1 is a 35 mm. photo and Photo 2 is a Polaroid photo.

Primary Examiner—Melody N. Brown
Attorney, Agent, or Firm—McAfee & Taft

[57] **CLAIM**

The ornamental design for a post for a trailer coupler, as shown and described.

DESCRIPTION

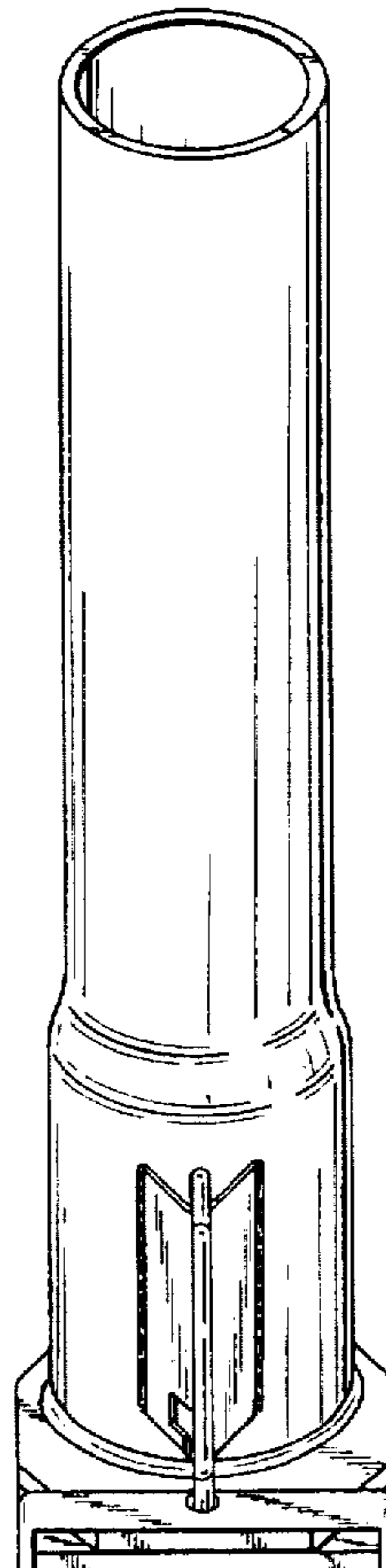
FIG. 1 is a perspective view of a post for a trailer coupler, showing my new design;
FIG. 2 is a front elevation view thereof;
FIG. 3 is a right-side elevation view thereof;
FIG. 4 is a left-side elevation view thereof;
FIG. 5 is a rear elevation view thereof;
FIG. 6 is a top plan view thereof; and,
FIG. 7 is a bottom view thereof.

[56] **References Cited**

U.S. PATENT DOCUMENTS

D. 317,279	6/1991	Krueger	D12/106
D. 327,354	6/1992	Inman	D34/31
D. 340,790	10/1993	Goodrich et al.	D12/106
D. 357,787	4/1995	Sullivan	D34/31
D. 364,978	12/1995	Smith	D12/106
D. 376,239	12/1996	Rasmussen	D34/31
2,295,623	9/1942	Armstrong	285/115
3,210,102	10/1965	Joslin	285/374
3,733,051	5/1973	Bollinger	254/94

1 Claim, 2 Drawing Sheets



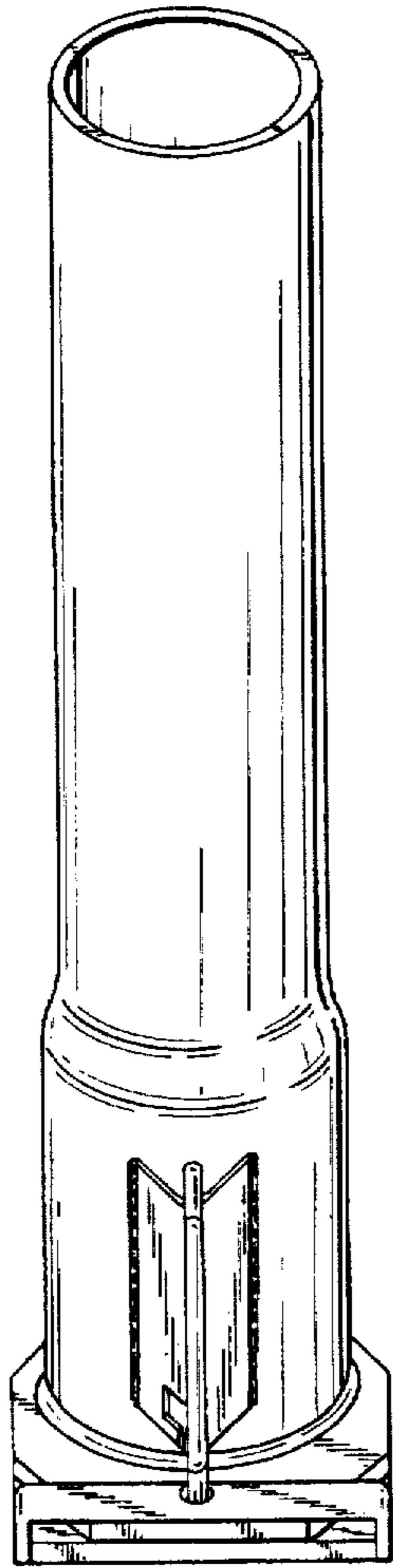


FIG. 1

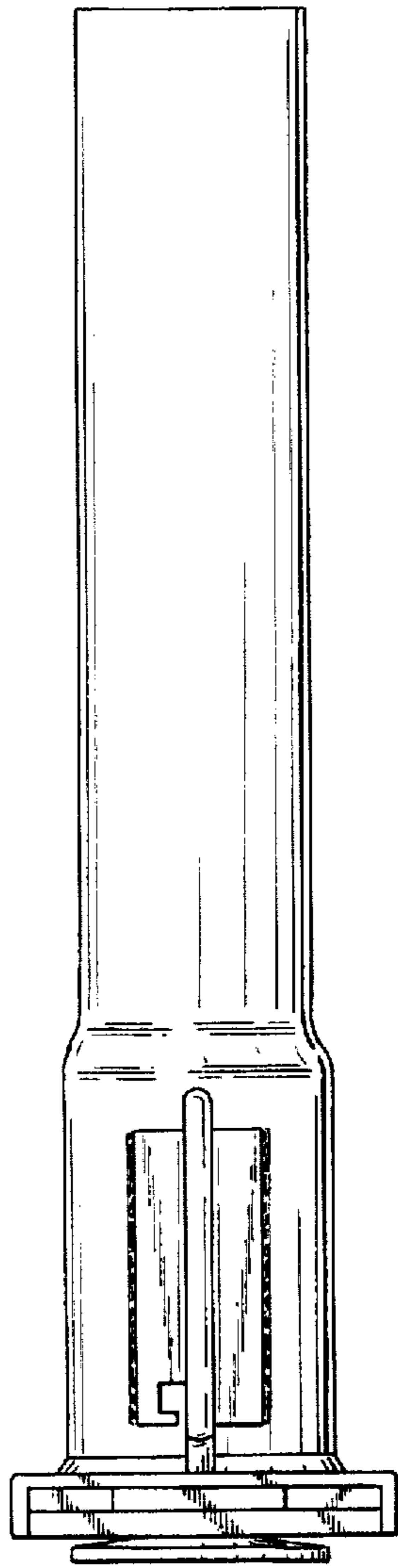


FIG. 2

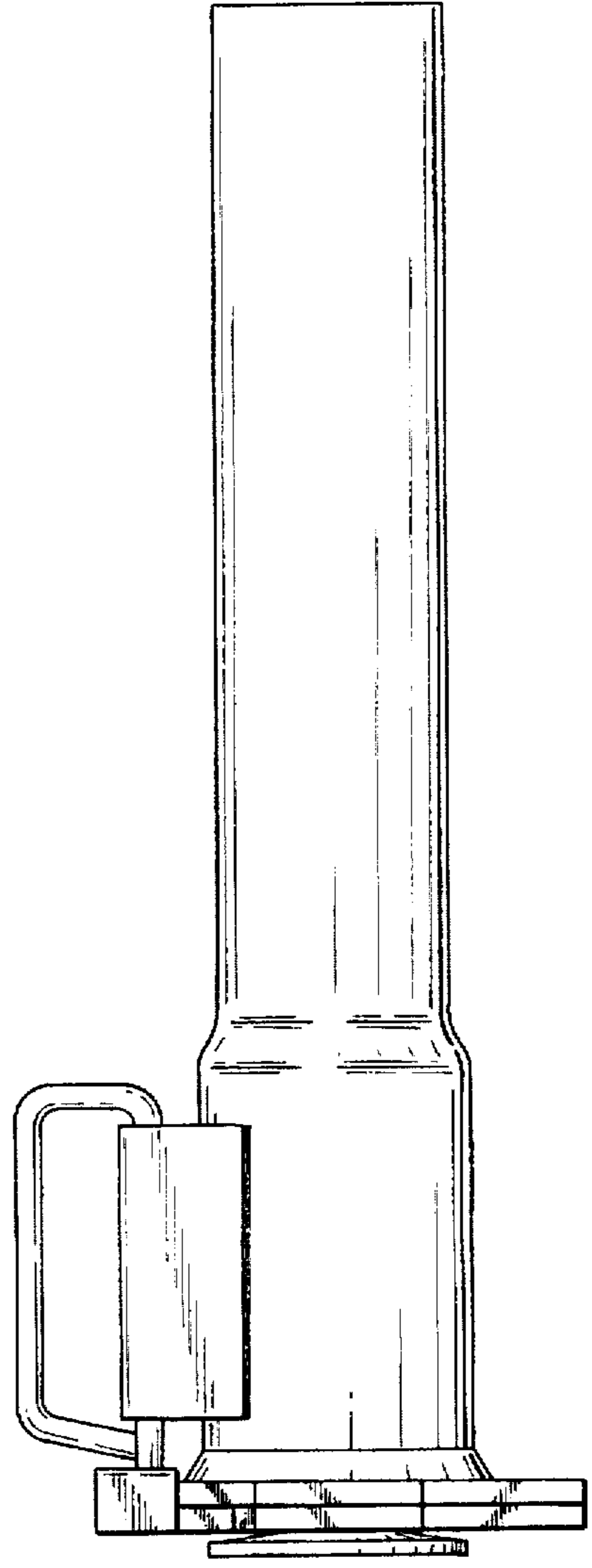


FIG. 3

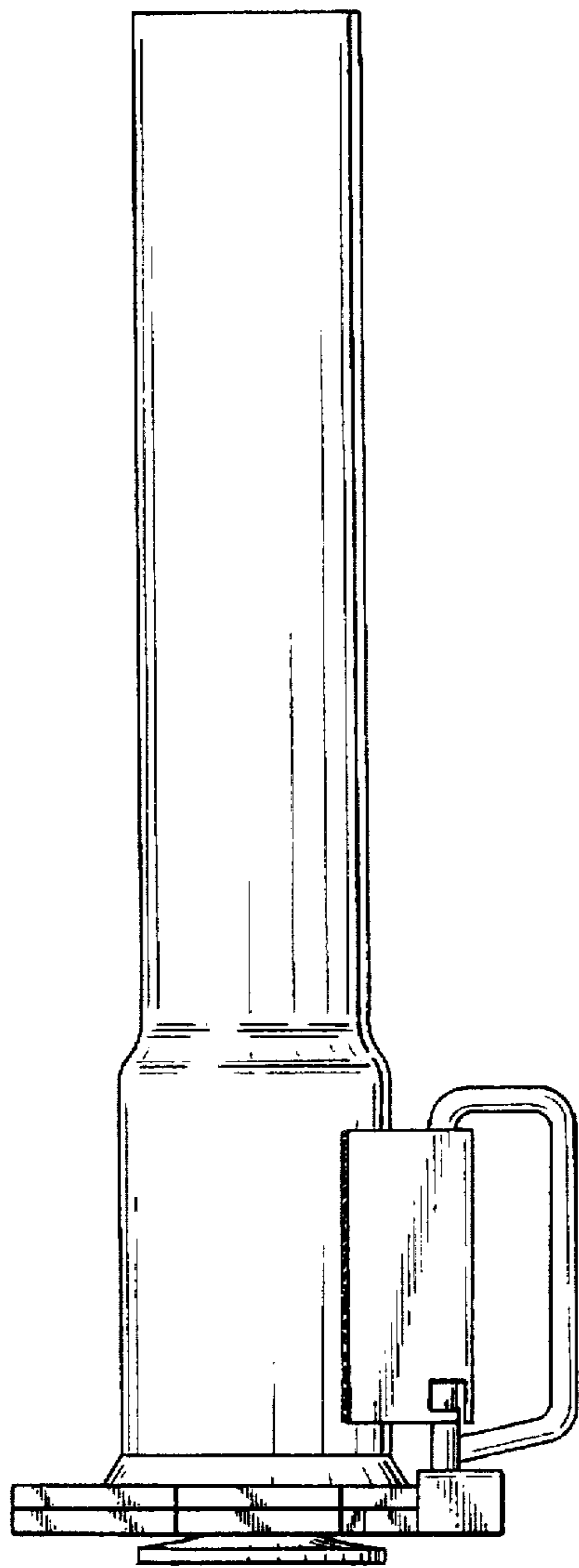


FIG. 4

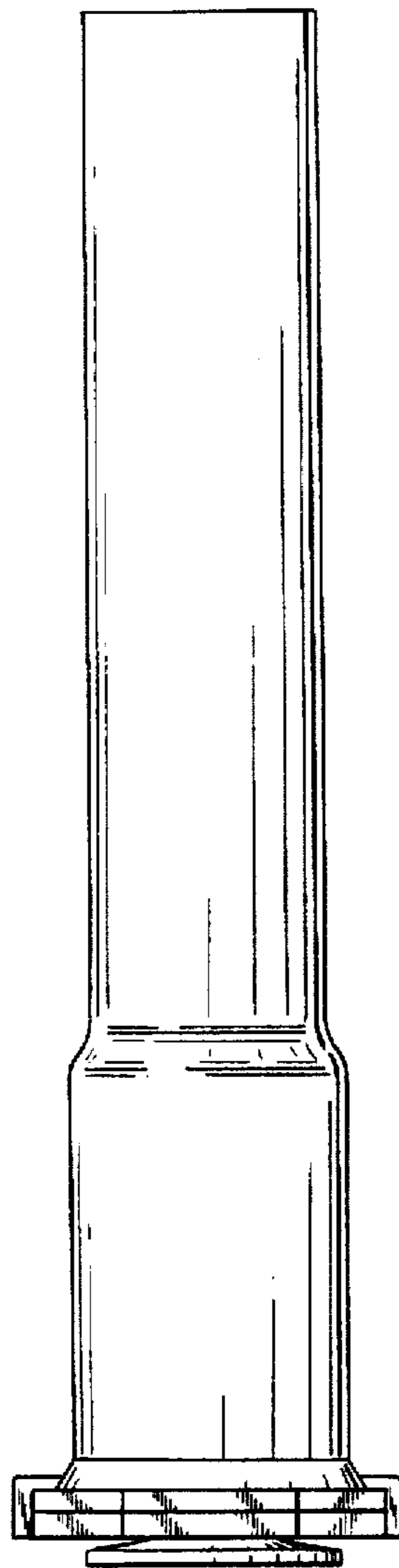


FIG. 5

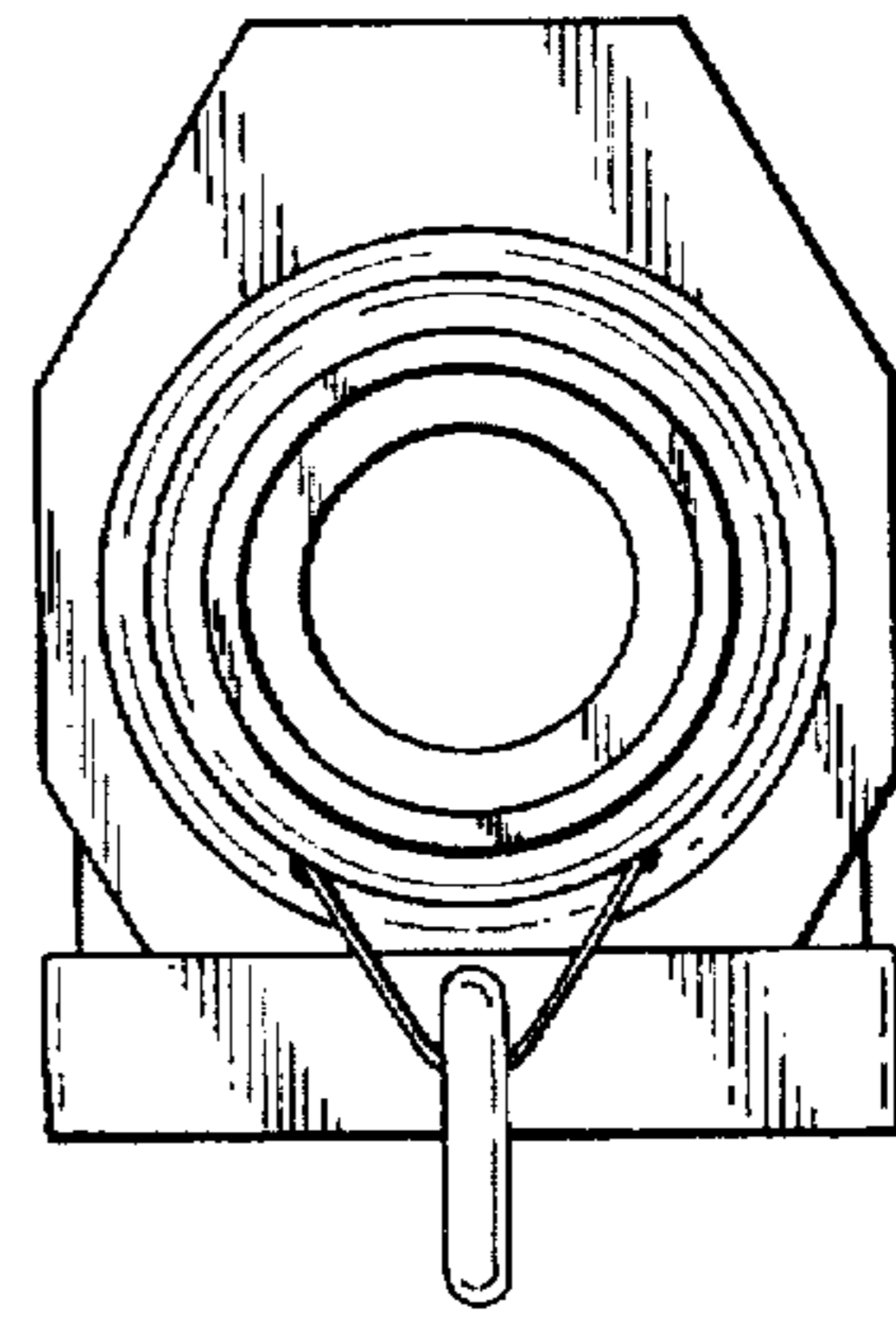


FIG. 6

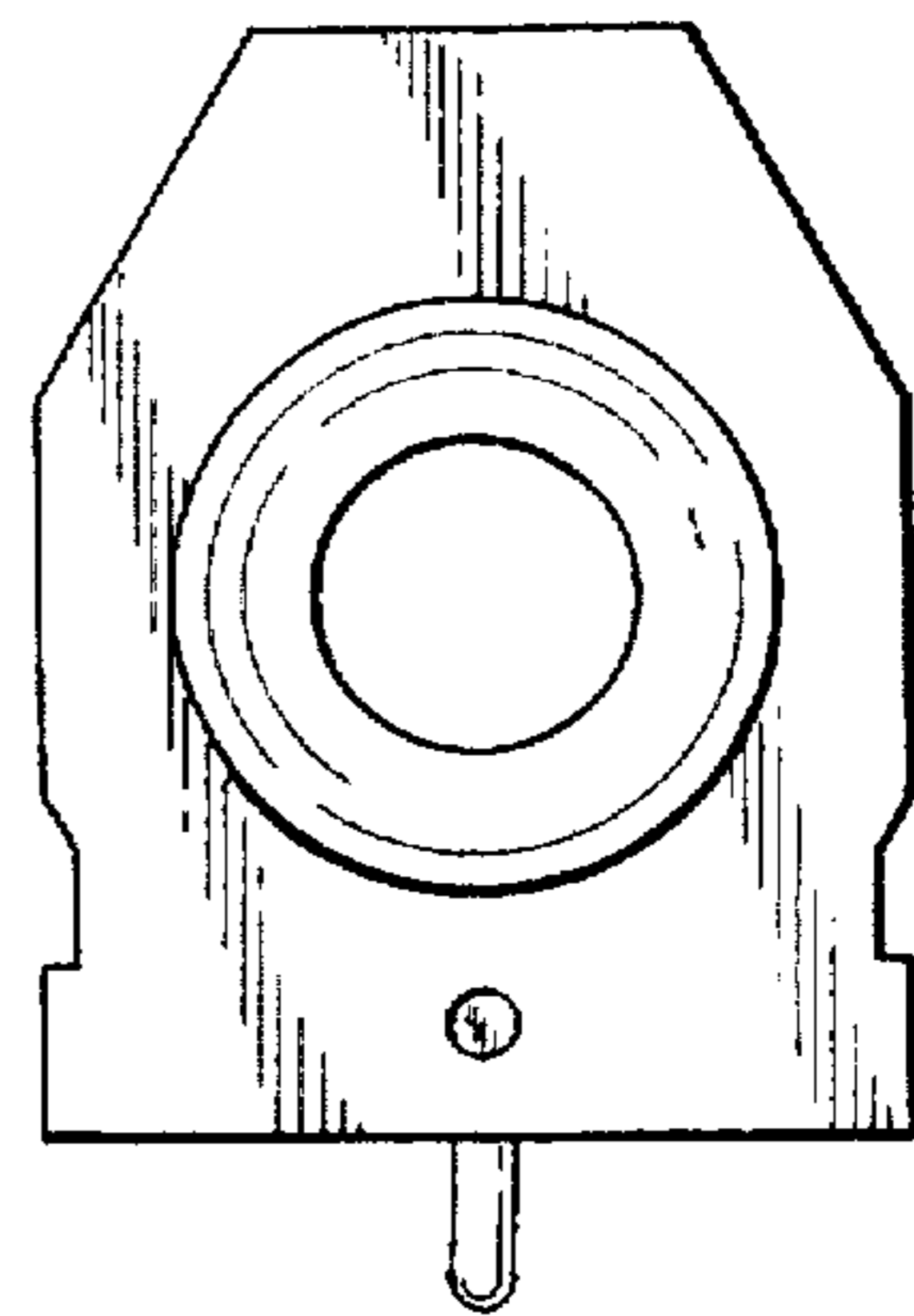


FIG. 7