



US00D396667S

United States Patent [19]
Camillieri

[11] **Patent Number:** **Des. 396,667**
[45] **Date of Patent:** ****Aug. 4, 1998**

[54] **DUAL STEERING WHEEL TRACTOR WITH
DETACHABLE CONTAINERS**

D. 322,419 12/1991 Camillieri D12/15
D. 333,449 2/1993 Camillieri D12/15
D. 338,855 8/1993 Lahte D12/97

[76] **Inventor:** **Edward John Camillieri**, 8661 Blythe
Ave., Orangevale, Calif. 95662

Primary Examiner—Melody N. Brown
Attorney, Agent, or Firm—David Pressman

[**] **Term:** **14 Years**

[57] **CLAIM**

[21] **Appl. No.:** **59,992**

The ornamental design for a dual steering wheel tractor with detachable containers, as shown.

[22] **Filed:** **Sep. 19, 1996**

DESCRIPTION

[51] **LOC (6) Cl.** **12-08**

[52] **U.S. Cl.** **D12/99; D12/97**

[58] **Field of Search** **D12/97, 99, 15;**
D34/3; D21/135; 296/181, 183

FIG. 1 is a top, side and front perspective view of a dual steering wheel tractor with detachable containers showing my new design; and,

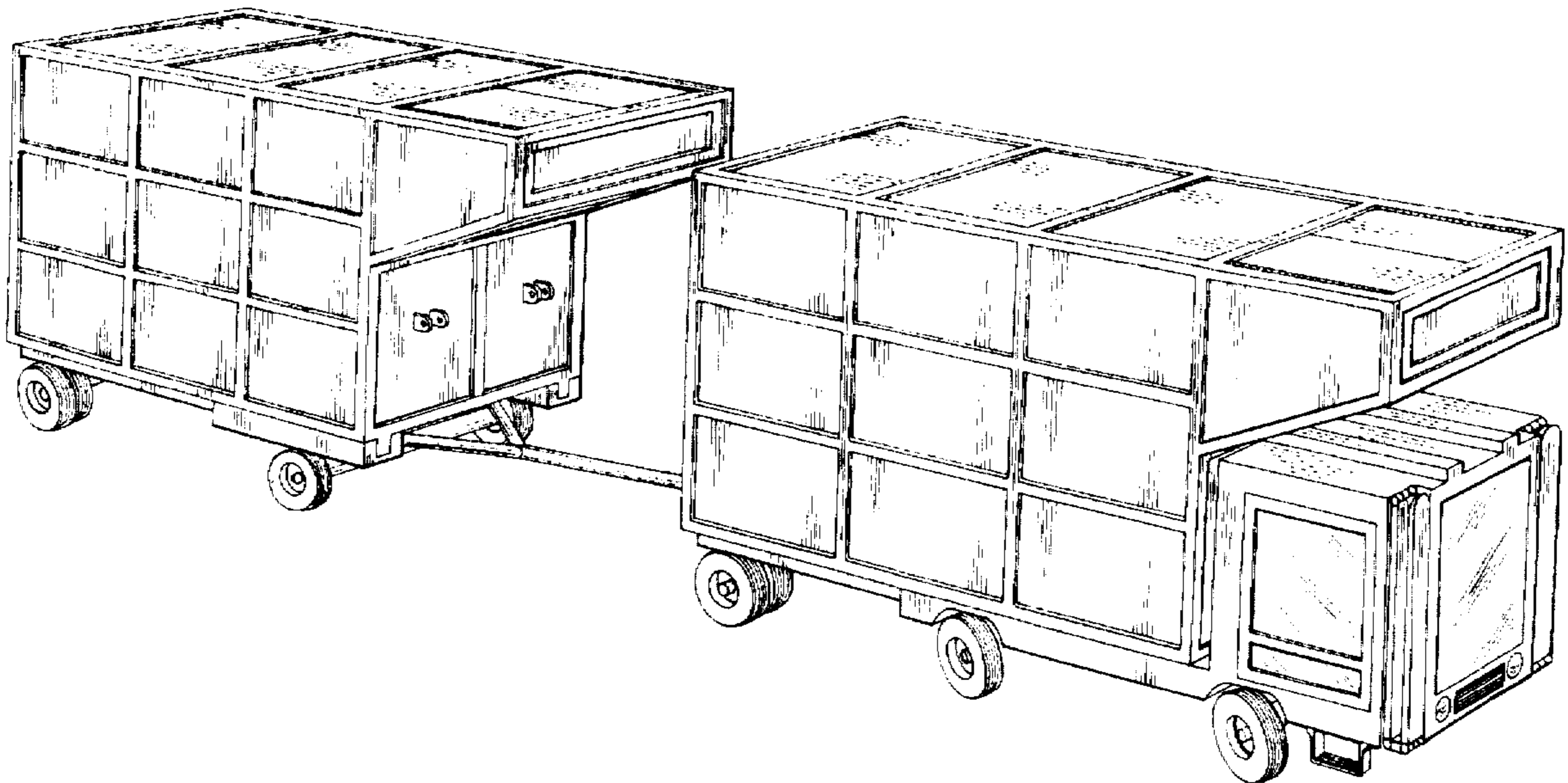
FIG. 2 is a top, opposite side and rear perspective view thereof.

[56] **References Cited**

U.S. PATENT DOCUMENTS

D. 296,773 7/1988 Hamlet D12/15

1 Claim, 2 Drawing Sheets



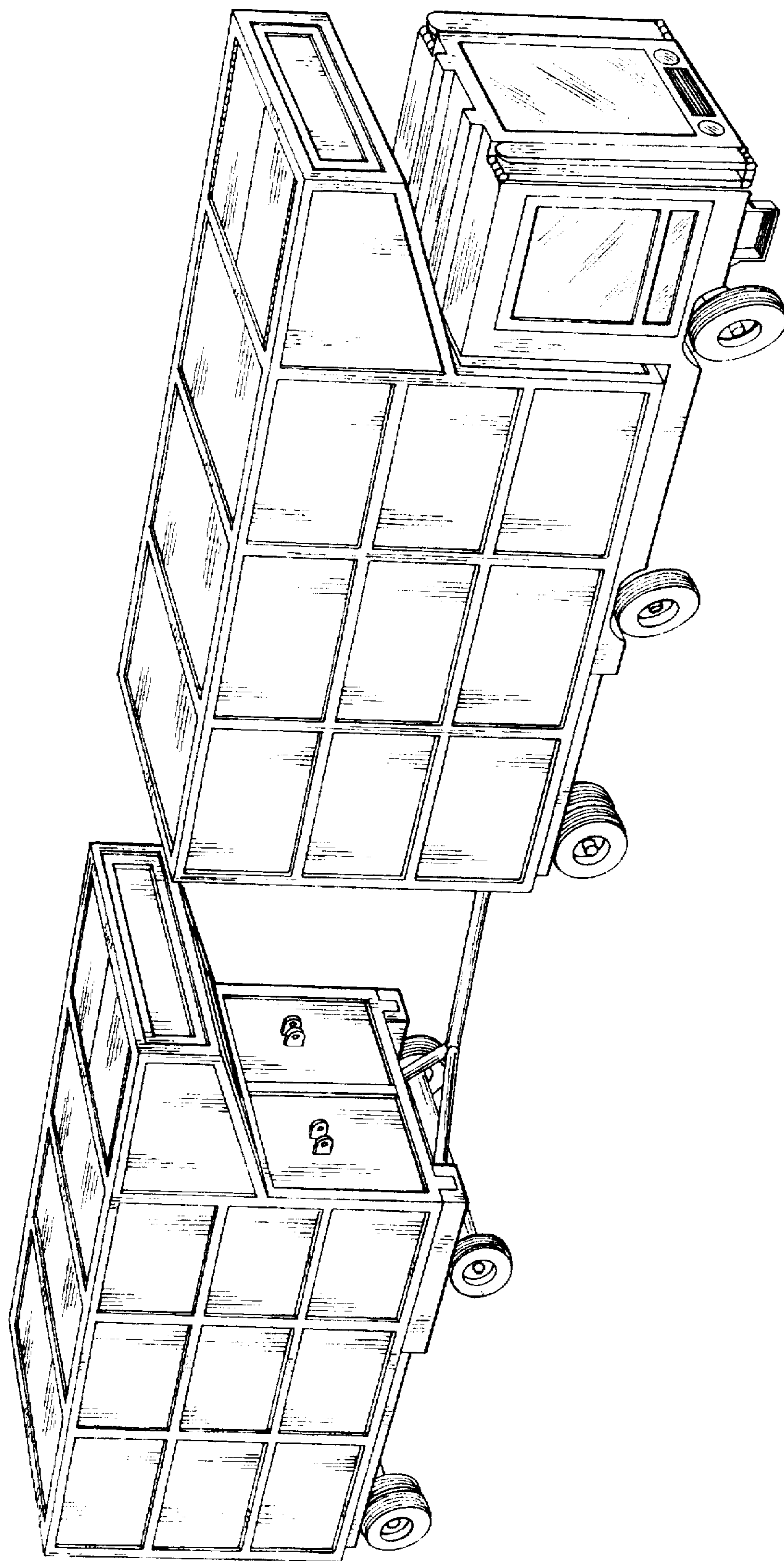


FIG. 1

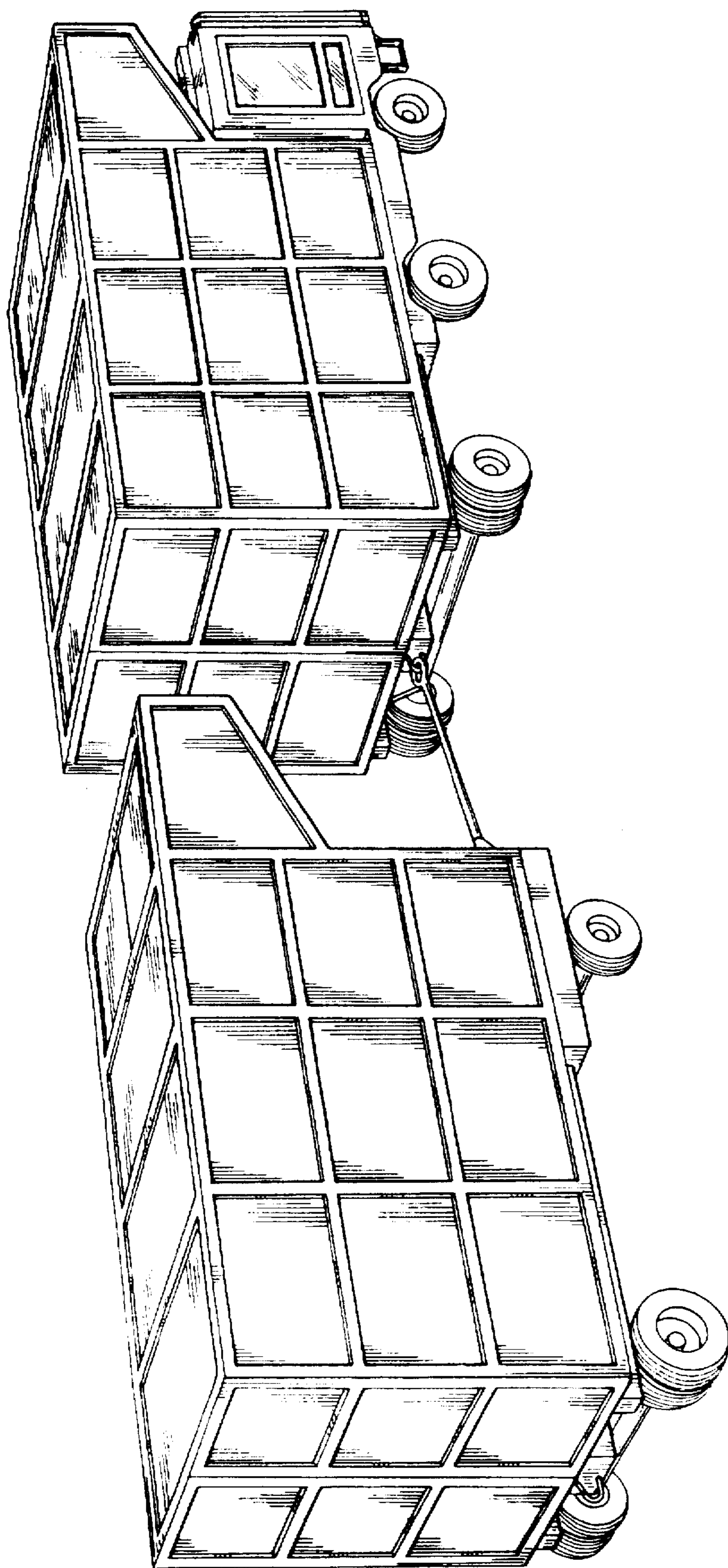


FIG. 2