



US00D396661S

United States Patent [19]
Bates

[11] **Patent Number:** **Des. 396,661**
[45] **Date of Patent:** ****Aug. 4, 1998**

[54] **BELT BUCKLE**

[76] **Inventor:** **Thomas P. Bates**, 10 Matthews Dr.,
East Haddam, Conn. 06423

[**] **Term:** **14 Years**

[21] **Appl. No.:** **76,775**

[22] **Filed:** **Sep. 23, 1997**

[51] **LOC (6) Cl.** **02-07**

[52] **U.S. Cl.** **D11/232**

[58] **Field of Search** D11/200, 216,
D11/218; 24/163.12, 200, 196, 68 SK,
70 SK, 625, 633, 616, 599.1, 573.5; 248/592;
D21/245; D8/349, 382

[56] **References Cited**

U.S. PATENT DOCUMENTS

D. 127,287	5/1941	Stelzer	D11/232
D. 344,693	3/1994	Tierce et al.	D11/232
4,095,316	6/1978	Gabriel	24/599.1
4,835,823	6/1989	Contat	24/573.5
5,357,657	10/1994	Petzl	24/599.9

Primary Examiner—Ralf Seifert
Attorney, Agent, or Firm—DeLio & Peterson, LLC

[57] **CLAIM**

The ornamental design for a belt buckle, as shown and described.

DESCRIPTION

FIG. 1 is a front elevational view of the ornamental design for the belt buckle;
FIG. 2 is a side view of the belt buckle shown in FIG. 1 looking from the left side of the belt buckle in FIG. 1;
FIG. 3 is a side view of the belt buckle shown in FIG. 1 looking from the right side of the belt buckle in FIG. 1;
FIG. 4 is a rear elevational view of the belt buckle shown in FIG. 1;
FIG. 5 is a top view of the belt buckle shown in FIG. 1;
FIG. 6 is a bottom view of the belt buckle shown in FIG. 1;
FIG. 7 shows an alternate design of the belt spanner shown in FIG. 1; and,
FIG. 8 shows still another alternate design of the belt spanner shown in FIG. 1.

1 Claim, 1 Drawing Sheet

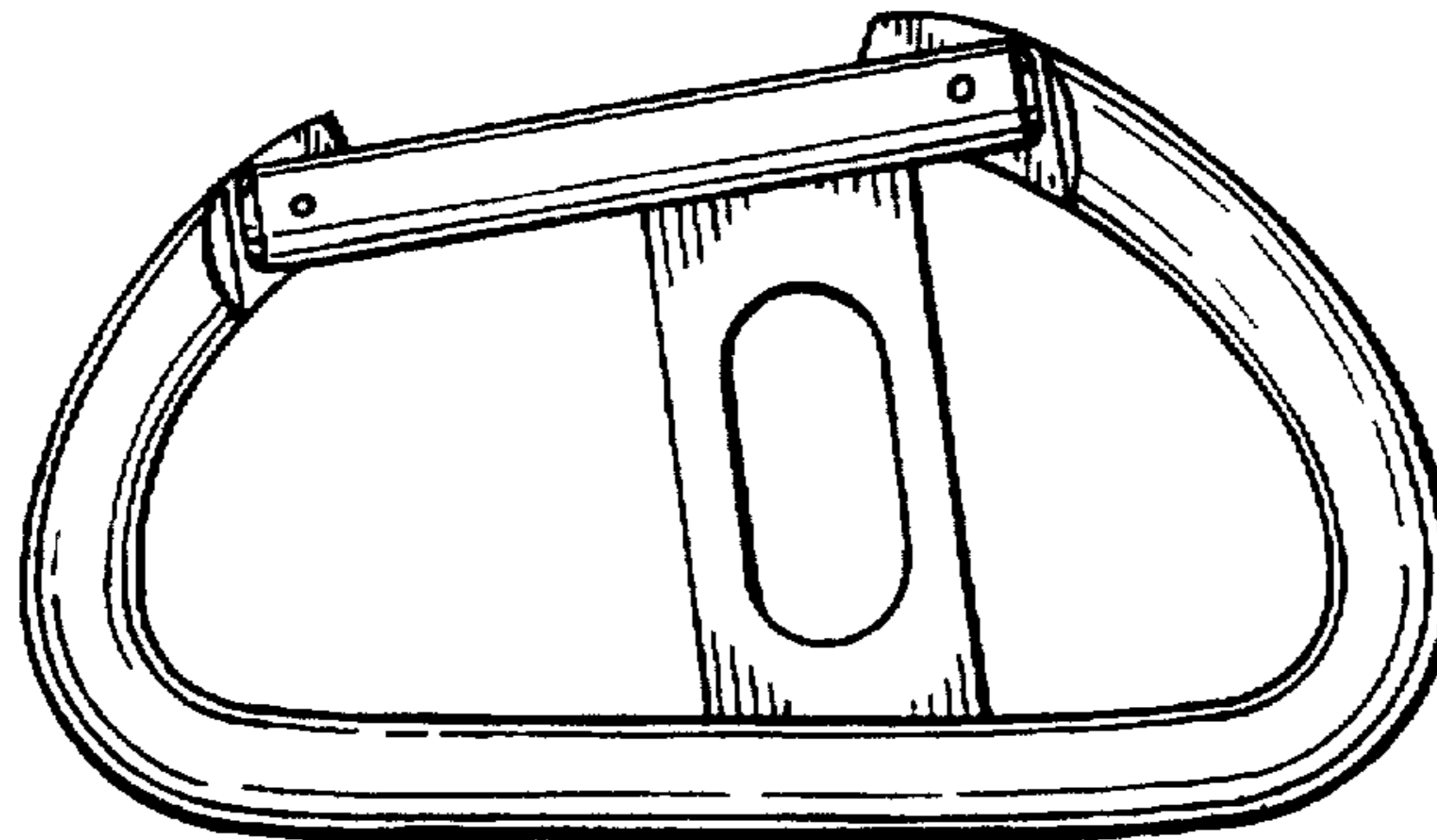




FIG. 2

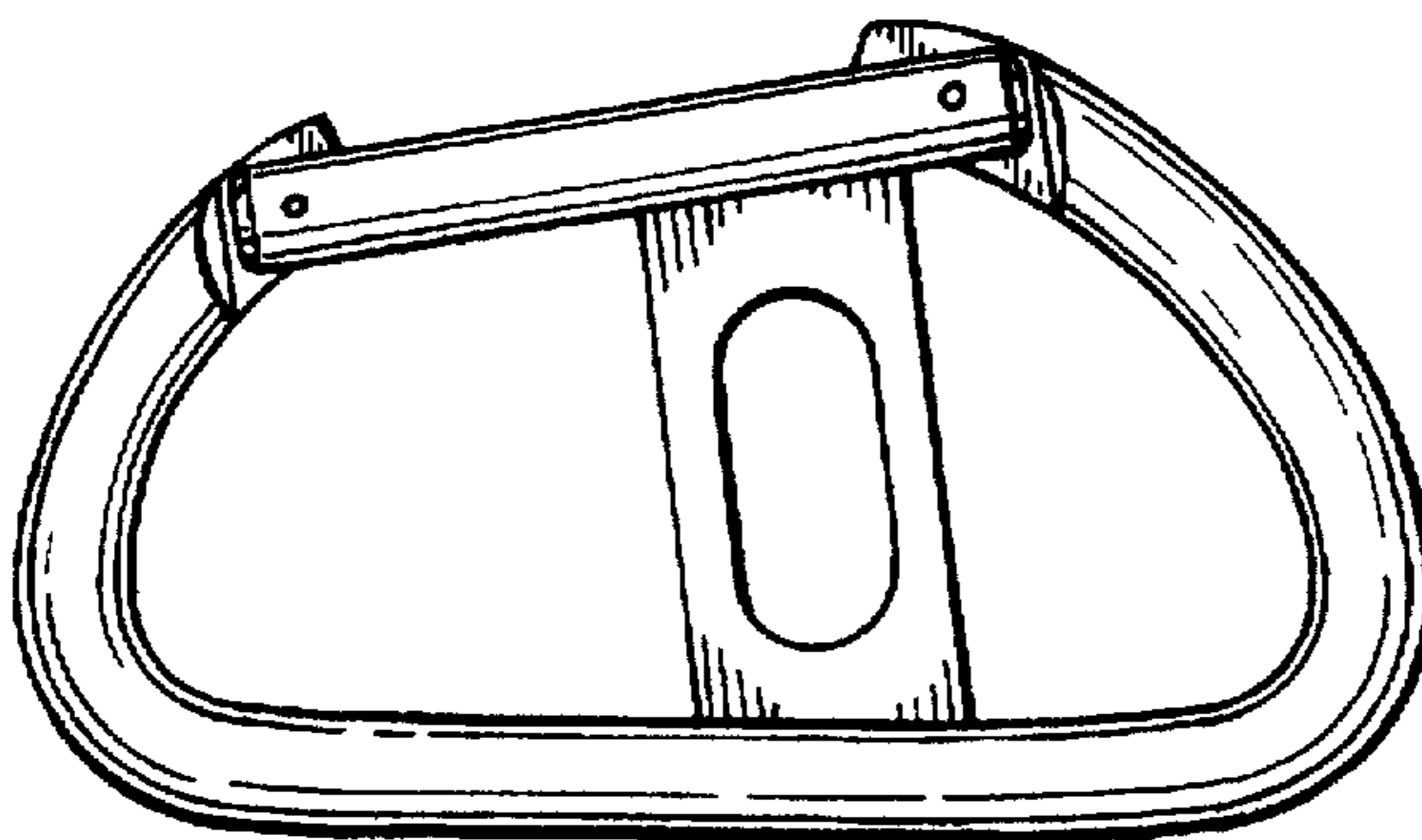


FIG. 1



FIG. 3

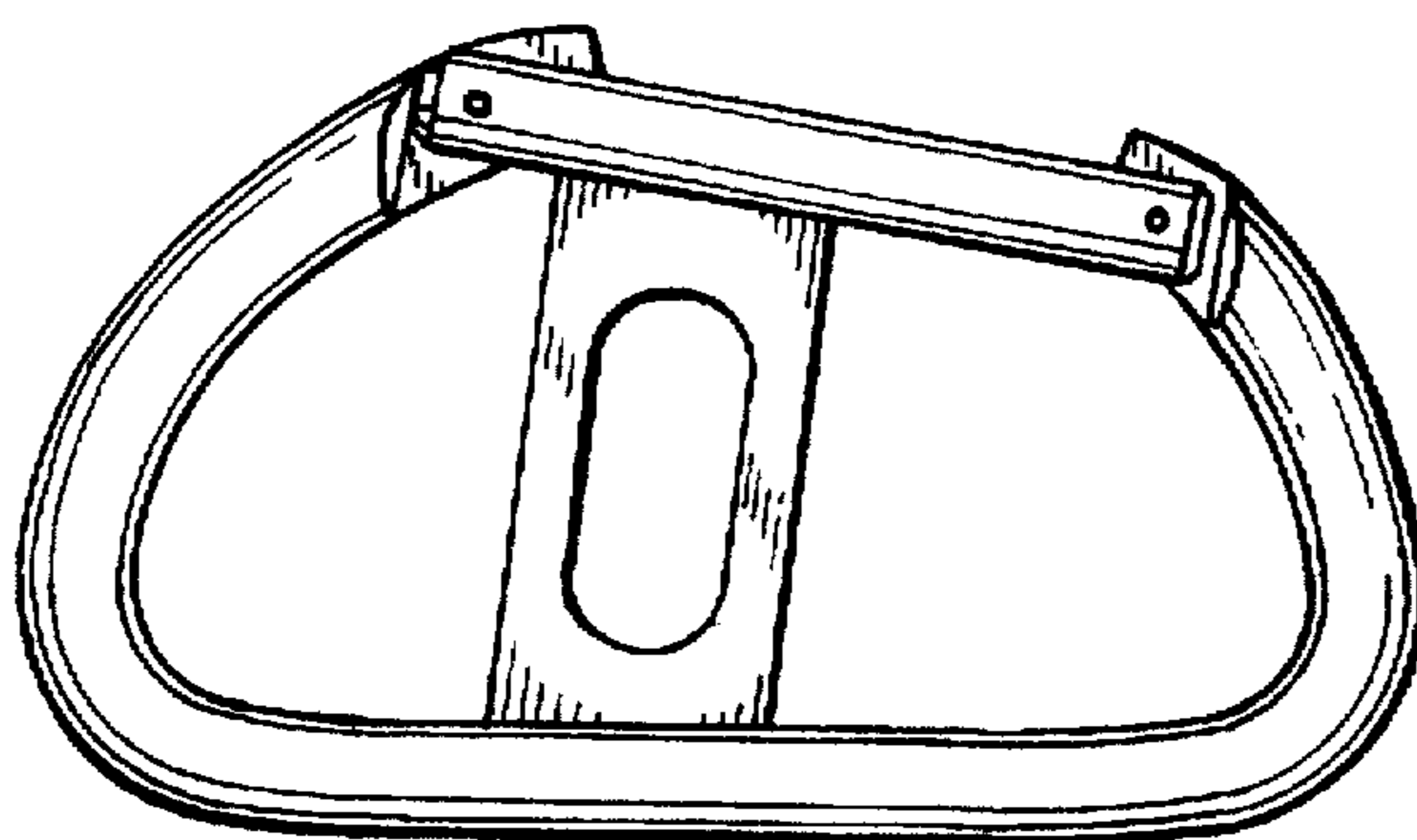


FIG. 4

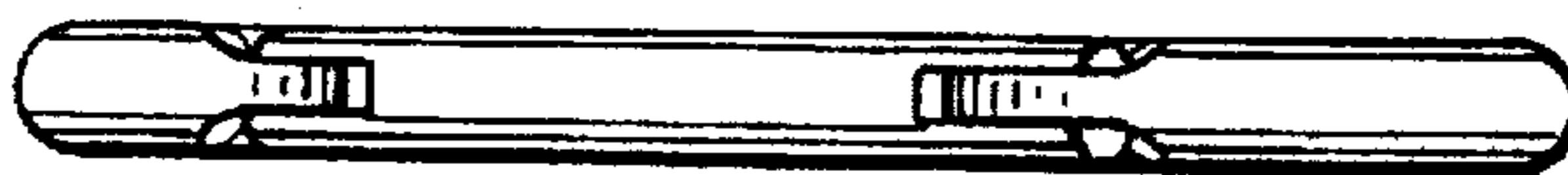


FIG. 5

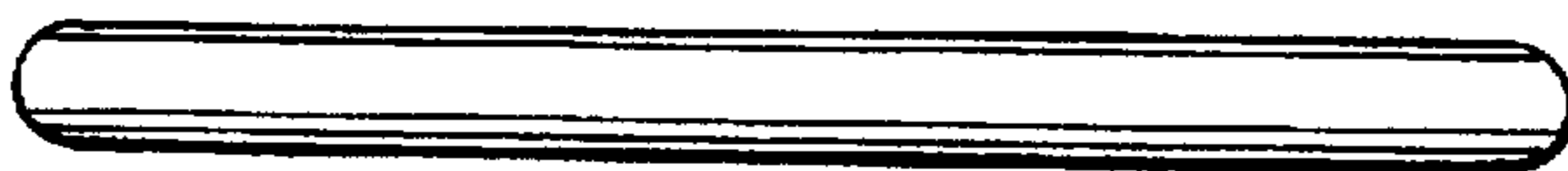


FIG. 6

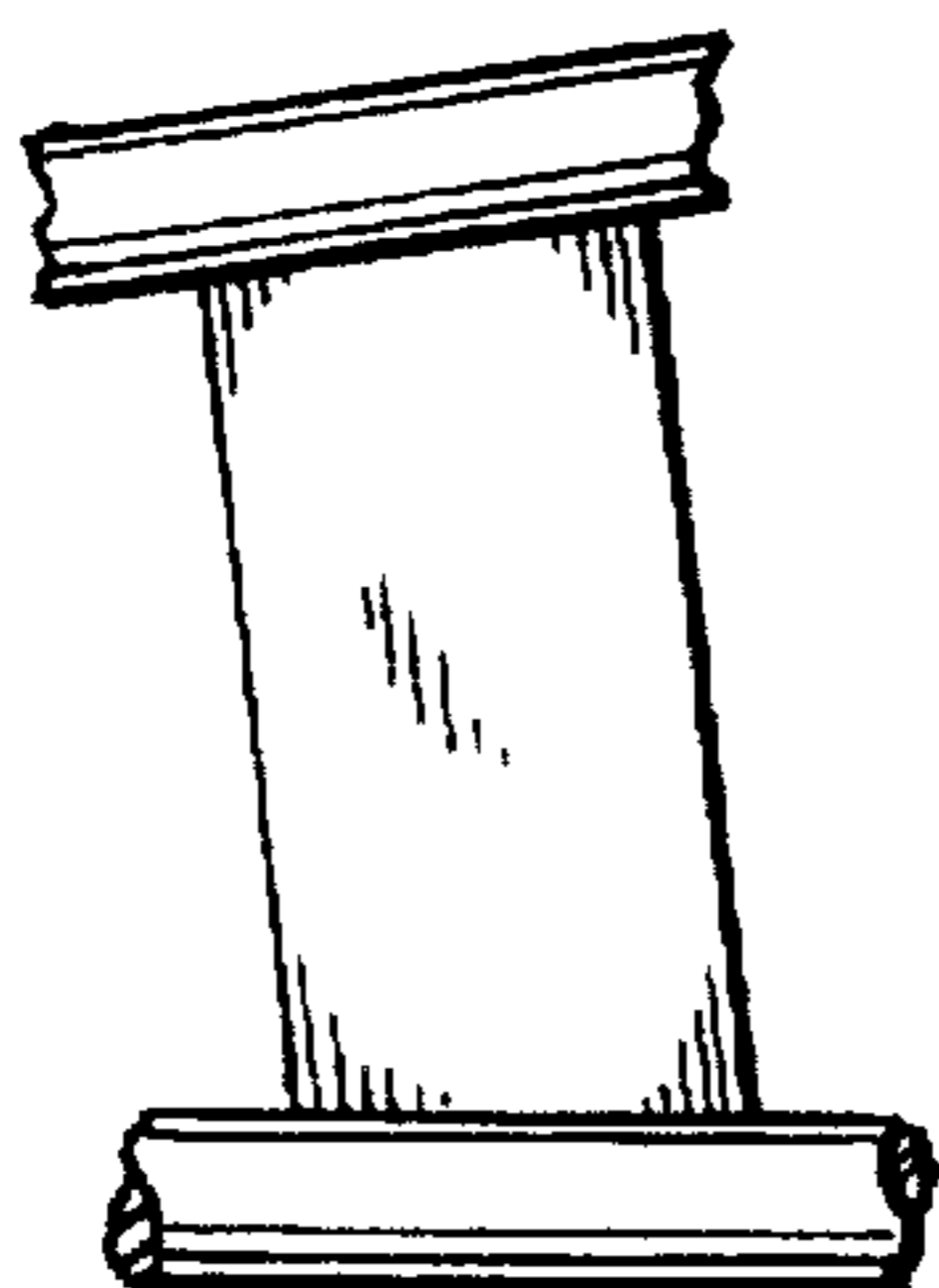


FIG. 7

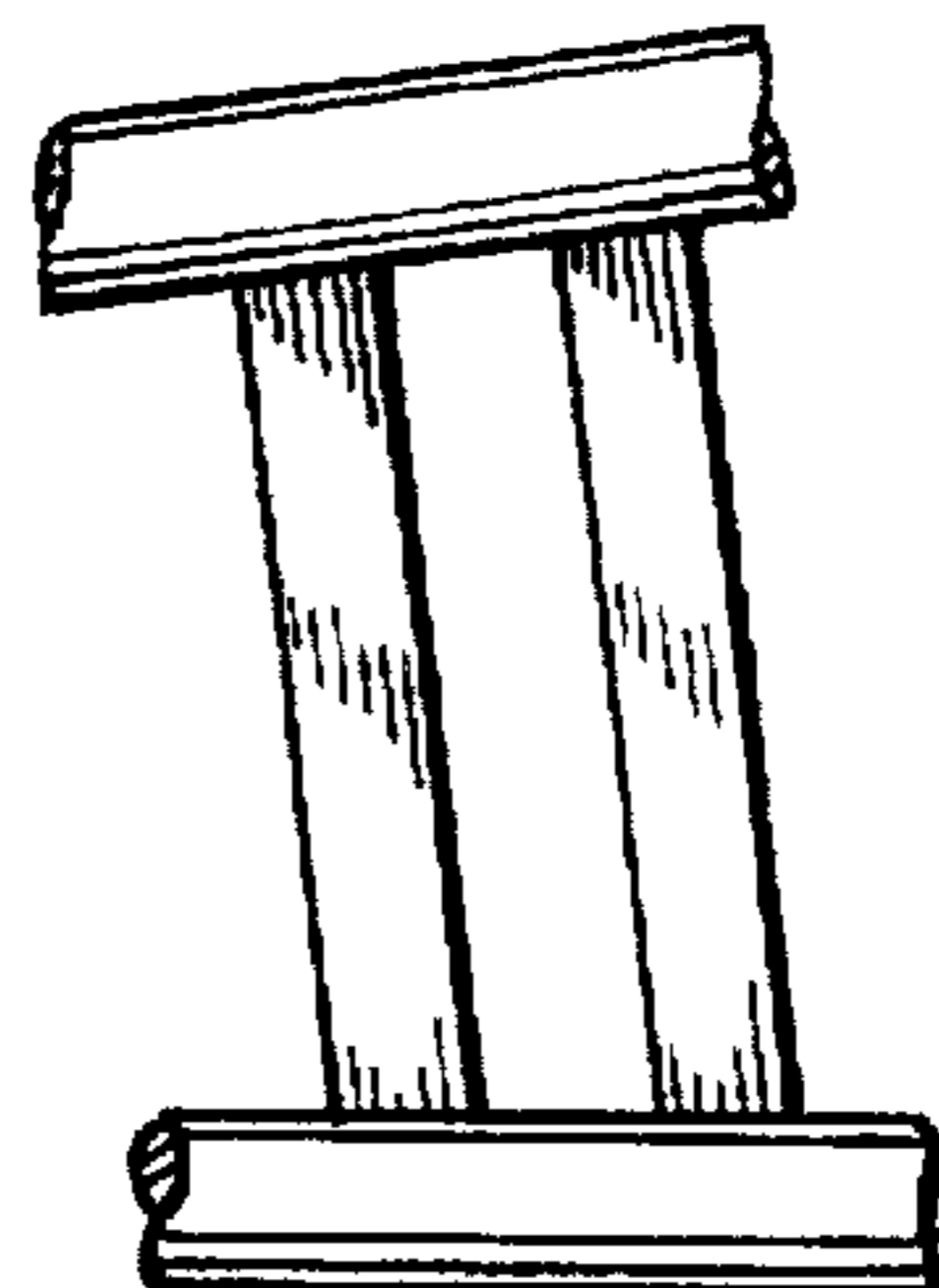


FIG. 8