

US00D396657S

United States Patent [19]

Nagai et al.

[11] Patent Number: **Des. 396,657**

[45] Date of Patent: ****Aug. 4, 1998**

[54] **CLAMP METER**

D. 362,639 9/1995 Arnoux D10/79

[75] Inventors: **Akihiro Nagai; Hideo Watanabe; Kouichi Tanaka**, all of Ueda, Japan

Primary Examiner—Antoine Duval Davis
Attorney, Agent, or Firm—Kanesaka & Takeuchi

[73] Assignee: **Hioki Denki Kabushiki Kaisha**, Ueda, Japan

[57] **CLAIM**

[**] Term: **14 Years**

The ornamental design for a clamp meter, as shown and described.

[21] Appl. No.: **67,662**

DESCRIPTION

[22] Filed: **Mar. 6, 1997**

FIG. 1 is a perspective view of a clamp meter showing our new design;

[30] Foreign Application Priority Data

Dec. 27, 1996 [JP] Japan 8-40131

FIG. 2 is a front view thereof;

[51] **LOC (6) Cl.** **10-04**

FIG. 3 is a rear view thereof;

[52] **U.S. Cl.** **D10/79**

FIG. 4 is a left side view thereof;

[58] **Field of Search** D10/79; 324/73 R,
324/127, 129, 133, 149, 126, 128, 130,
158 F; 336/175, 212

FIG. 5 is a right side view thereof;

FIG. 6 is a top plan view thereof;

FIG. 7 is a bottom view thereof; and,

FIG. 8 is a front view with the clamps being opened and the liquid crystal display on.

[56] References Cited

U.S. PATENT DOCUMENTS

D. 332,574 1/1993 Chang D10/79

1 Claim, 5 Drawing Sheets

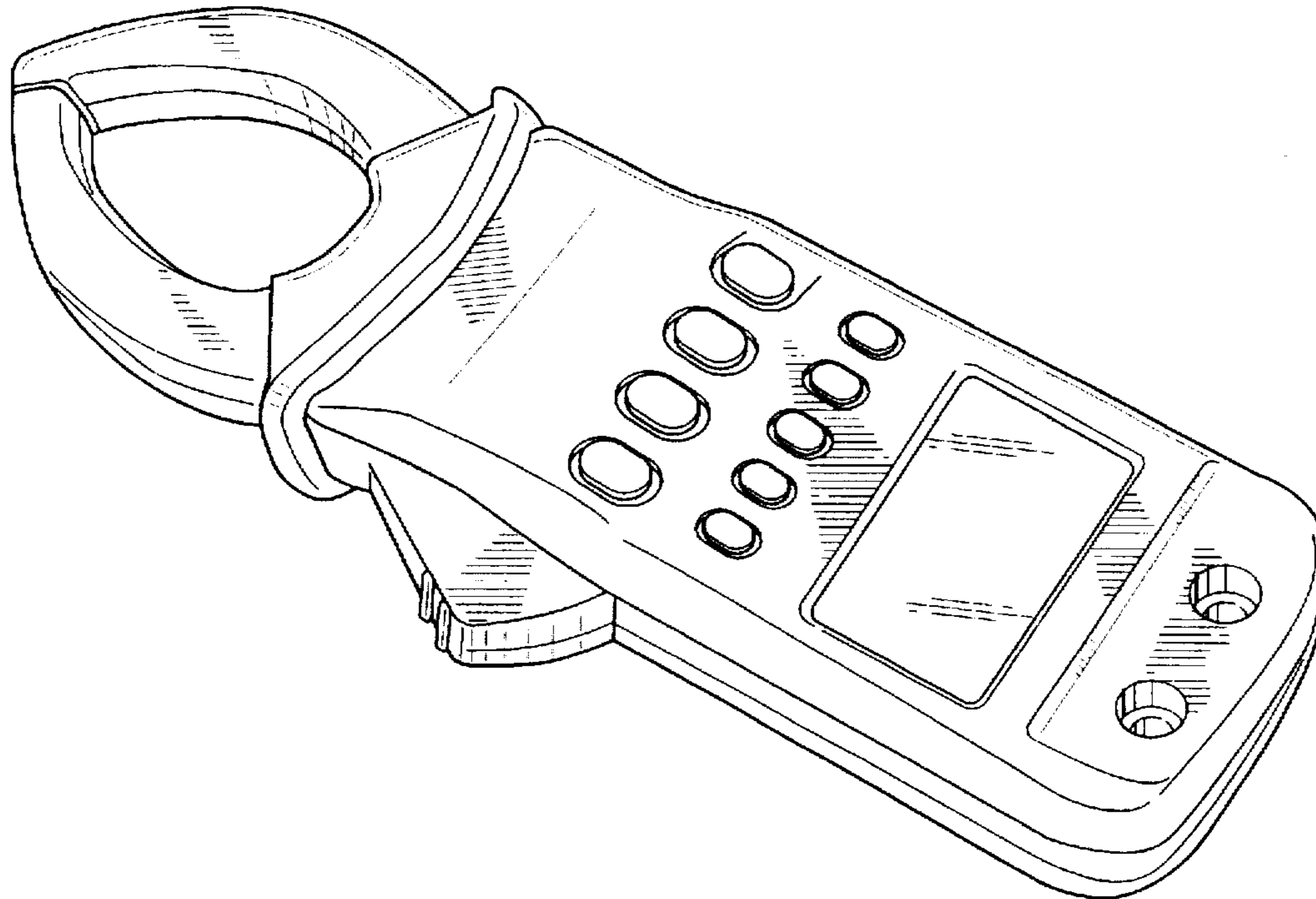


FIG. 1

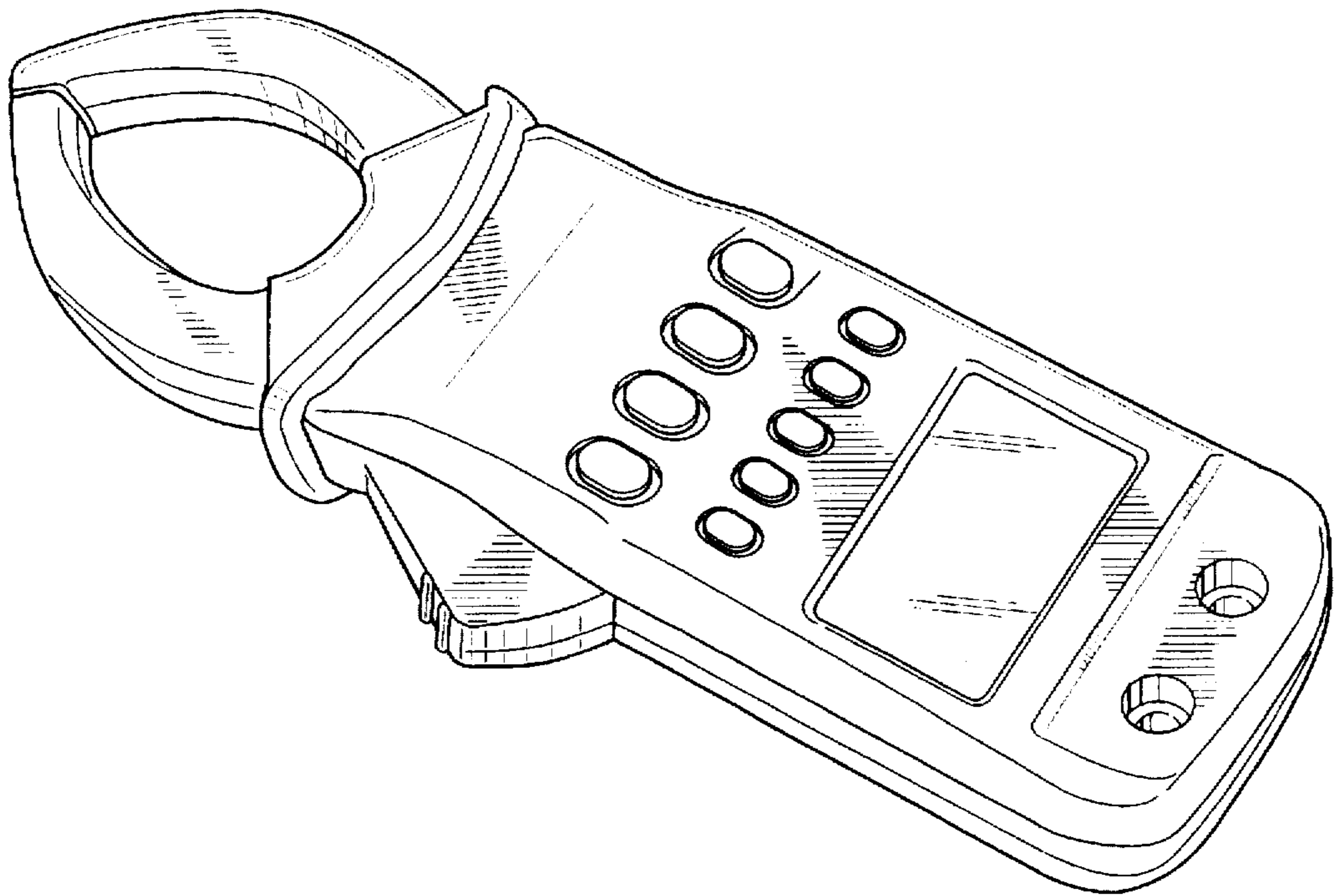


FIG. 2

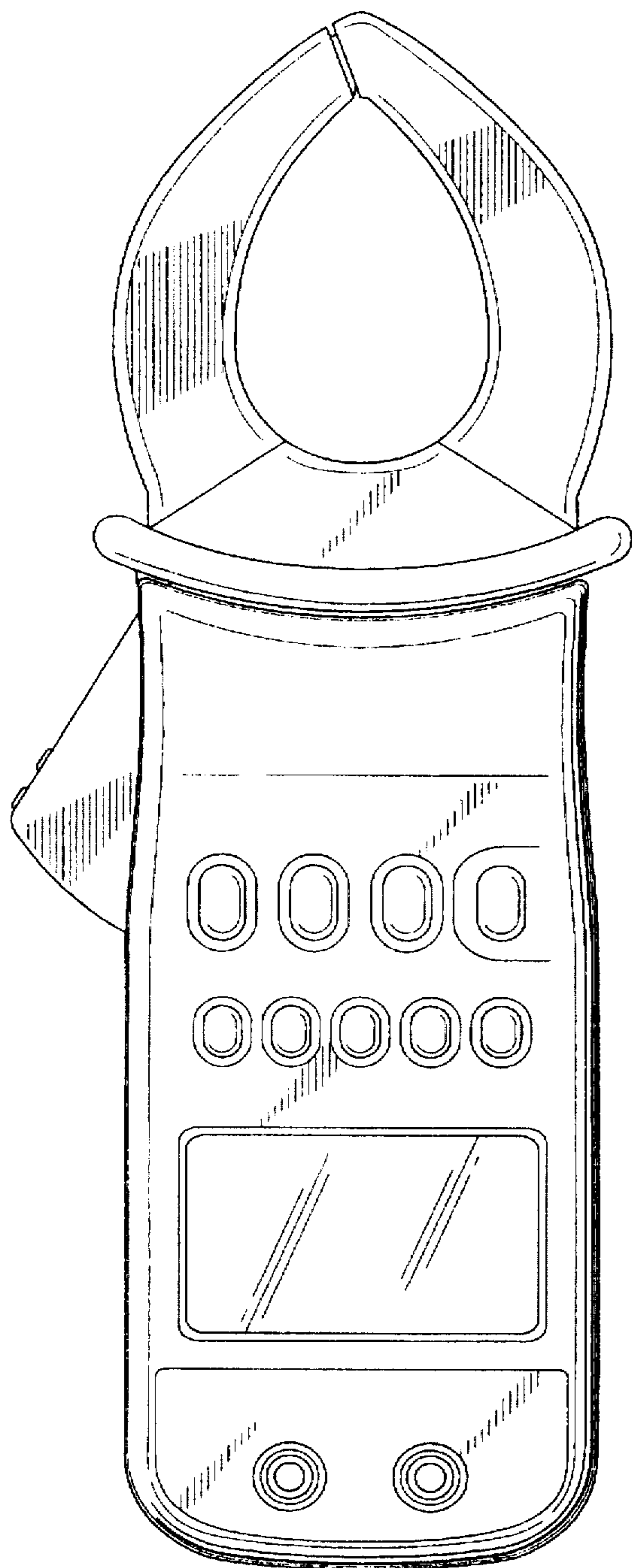


FIG. 3

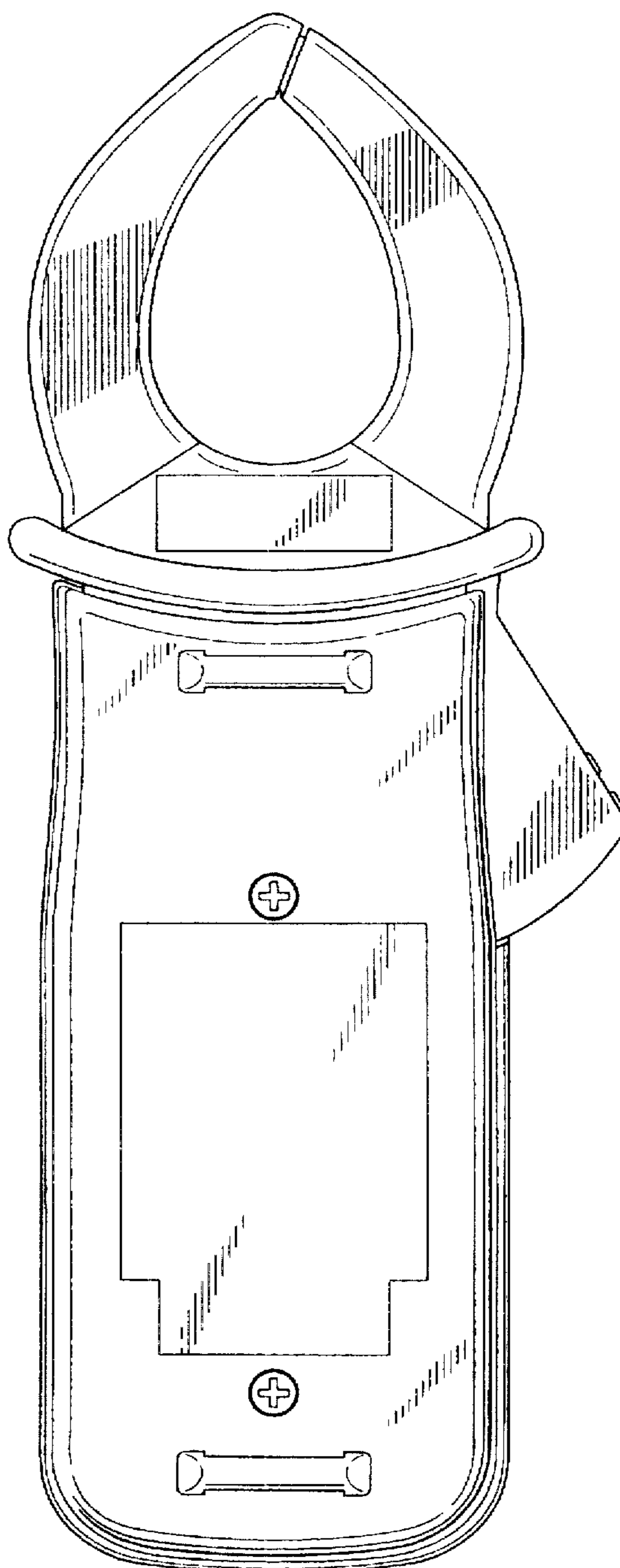


FIG. 4

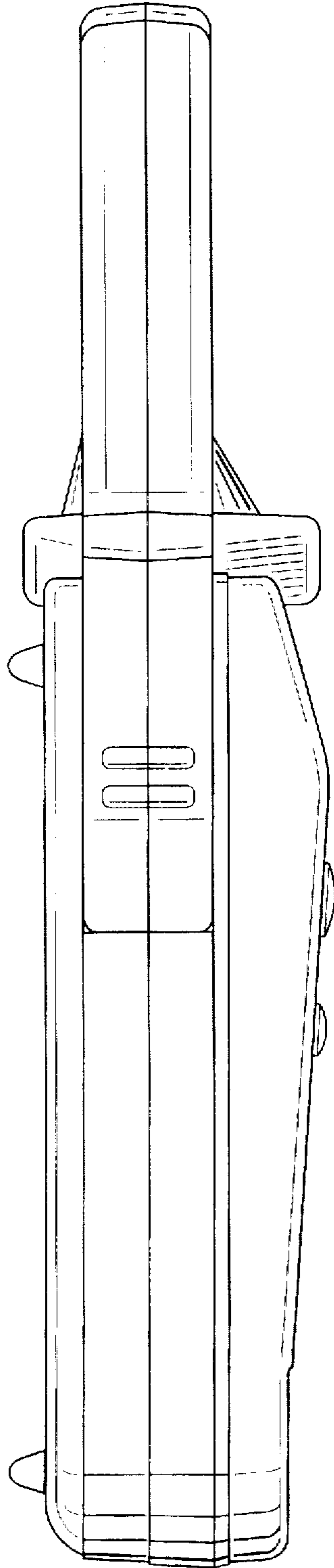


FIG. 5

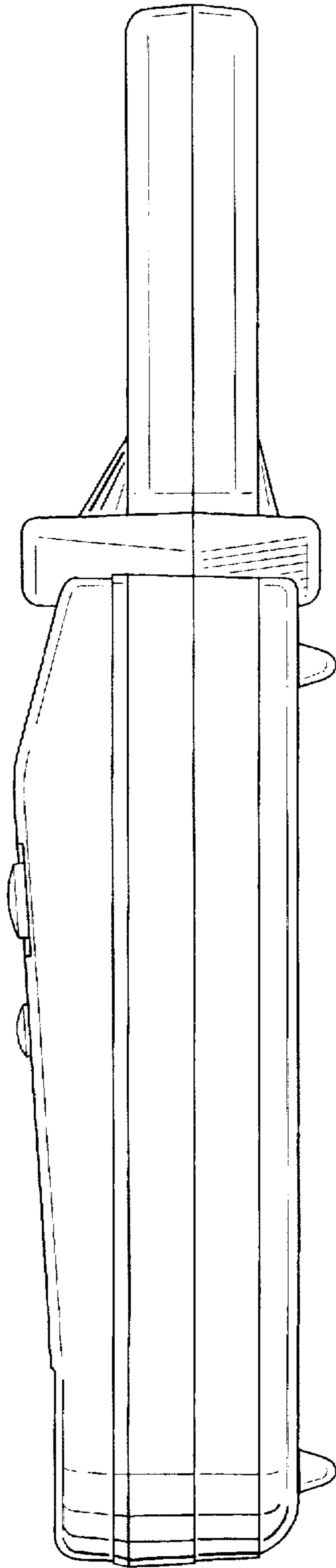


FIG.6

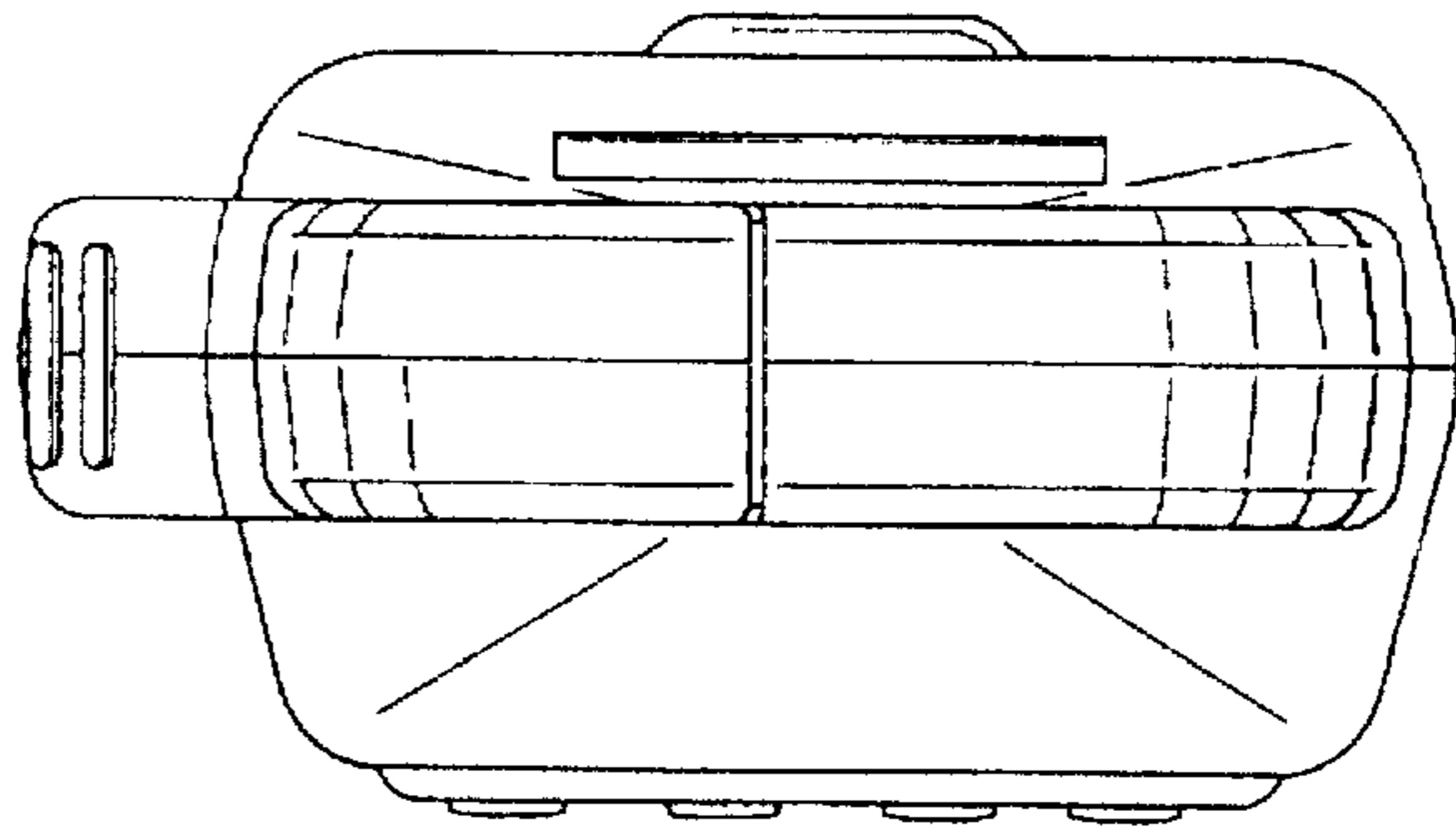


FIG.7

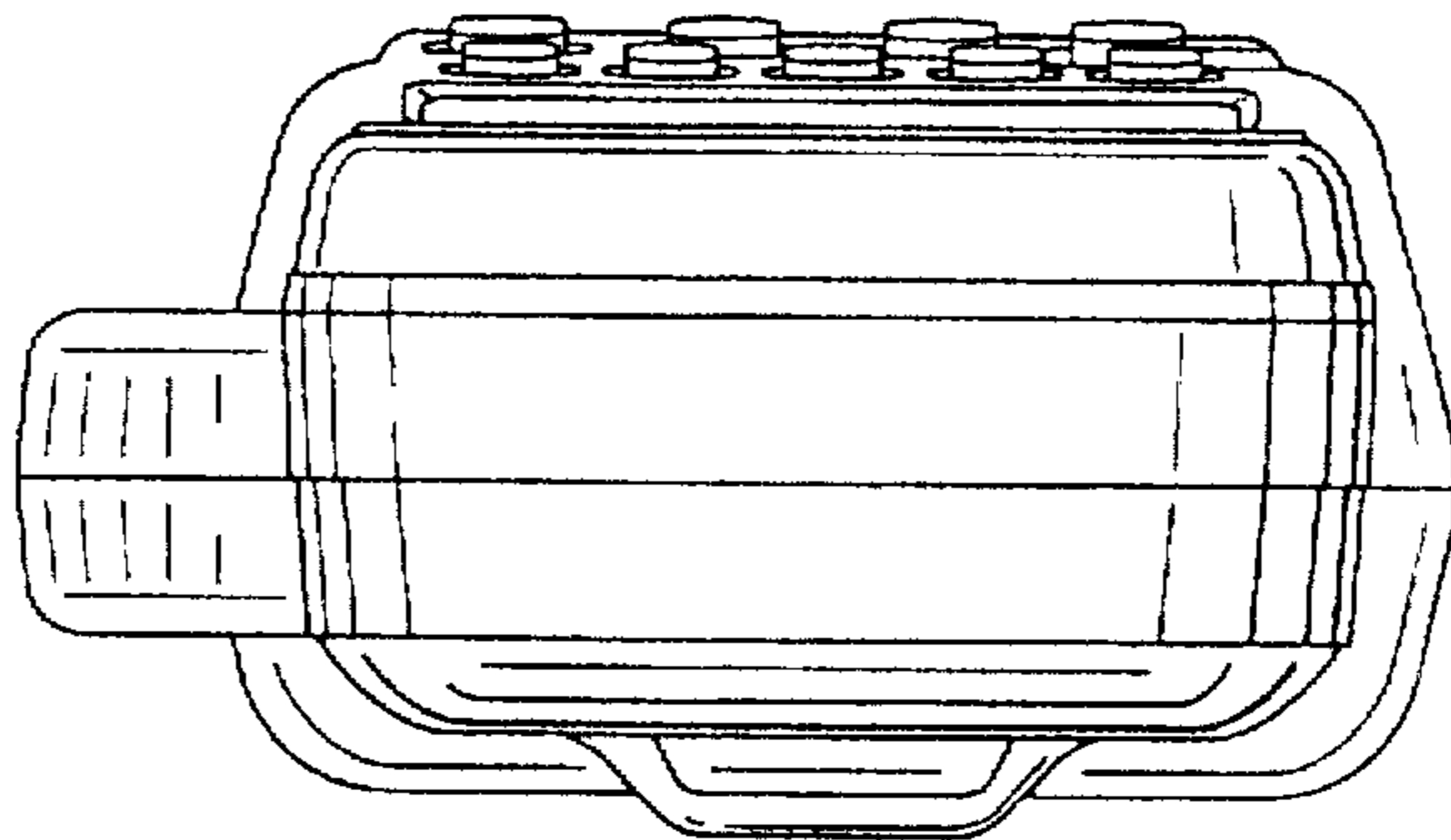


FIG. 8

