



US00D396656S

# United States Patent [19]

Morrow et al.

[11] Patent Number: **Des. 396,656**

[45] Date of Patent: **\*\*Aug. 4, 1998**

## [54] THERMOSTAT

[75] Inventors: **James Morrow**, Oak Park, Ill.; **David Stearns**, Wichita, Kans.; **Brian Day**, Des Plaines, Ill.; **Gary Van Deursen**, Evergreen, Colo.

[73] Assignee: **Coleman Safety and Security Products, Inc.**, Downers Grove, Ill.

[\*\*] Term: **14 Years**

[21] Appl. No.: **75,147**

[22] Filed: **Aug. 13, 1997**

[51] LOC (6) Cl. .... **10-04**

[52] U.S. Cl. .... **D10/50**

[58] Field of Search ..... **D10/50; 236/46 R, 236/47, 94; 337/112, 327, 360**

## [56] References Cited

### U.S. PATENT DOCUMENTS

- D. 301,207 5/1989 Wereley et al. .... D10/50
- D. 359,698 6/1995 Pierret et al. .... D10/50

*Primary Examiner*—Antoine Duval Davis  
*Attorney, Agent, or Firm*—James H. Phillips; Michael A. Lechter

## [57] CLAIM

The ornamental design for a thermostat, as shown and described.

## DESCRIPTION

FIG. 1 is a perspective view of a first embodiment of our design;  
 FIG. 2 is a front view of a first embodiment of our design;  
 FIG. 3 is a rear view of our design common to first and second embodiments thereof;  
 FIG. 4 is a side view of our design common to first and second embodiments thereof;  
 FIG. 5 is a top view of our design common to first and second embodiments thereof;  
 FIG. 6 is a bottom view of our design common to first and second embodiments thereof;  
 FIG. 7 is a right side view of our design, common to first and second embodiments thereof, shown with a door component open;  
 FIG. 8 is a partial front view of our design, common to first and second embodiments thereof, shown with the door component open;  
 FIG. 9 is a perspective view of a second embodiment of our design; and,  
 FIG. 10 is a front view of the second embodiment of our design.

**1 Claim, 3 Drawing Sheets**

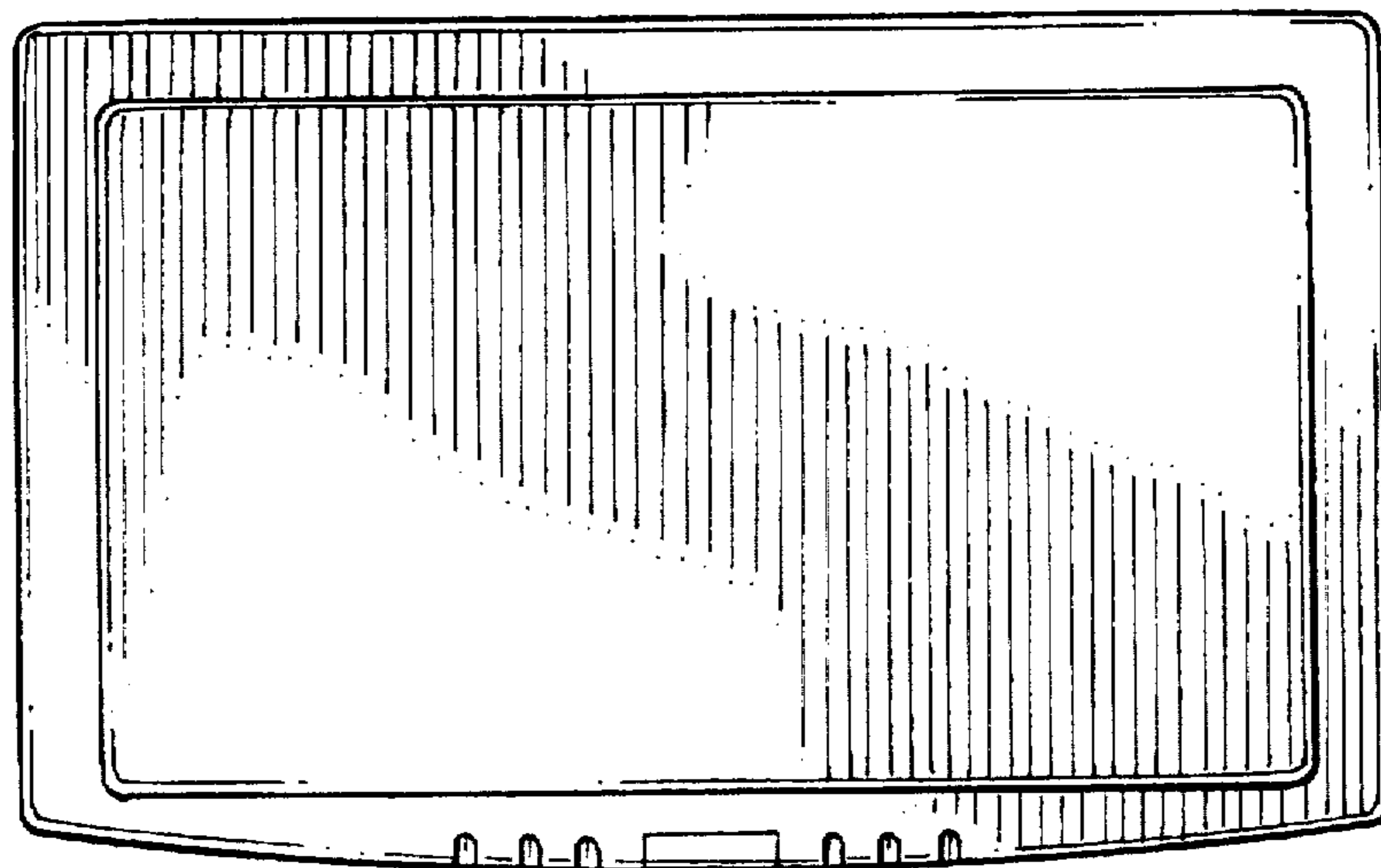


FIG. 1

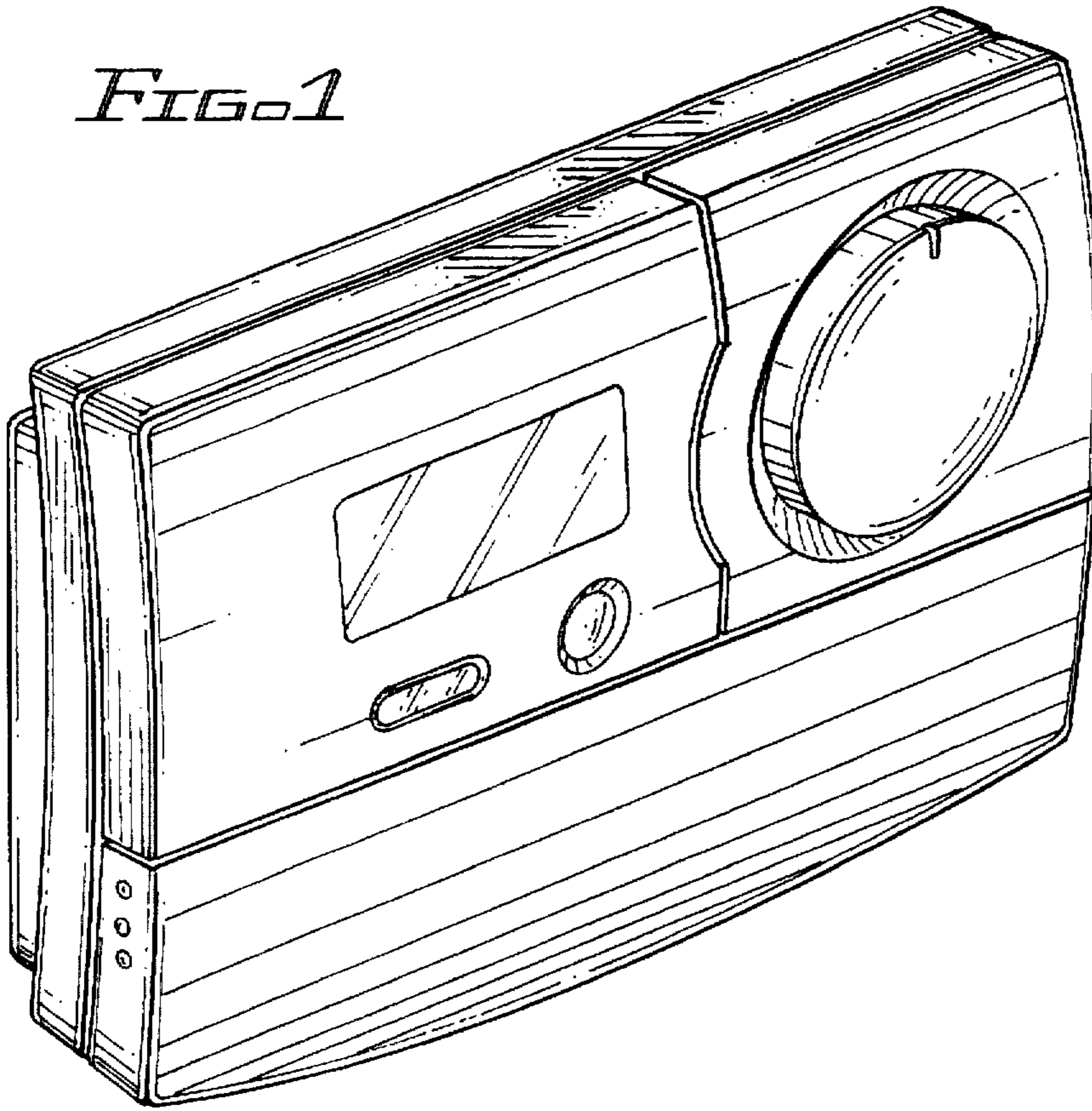


FIG. 4

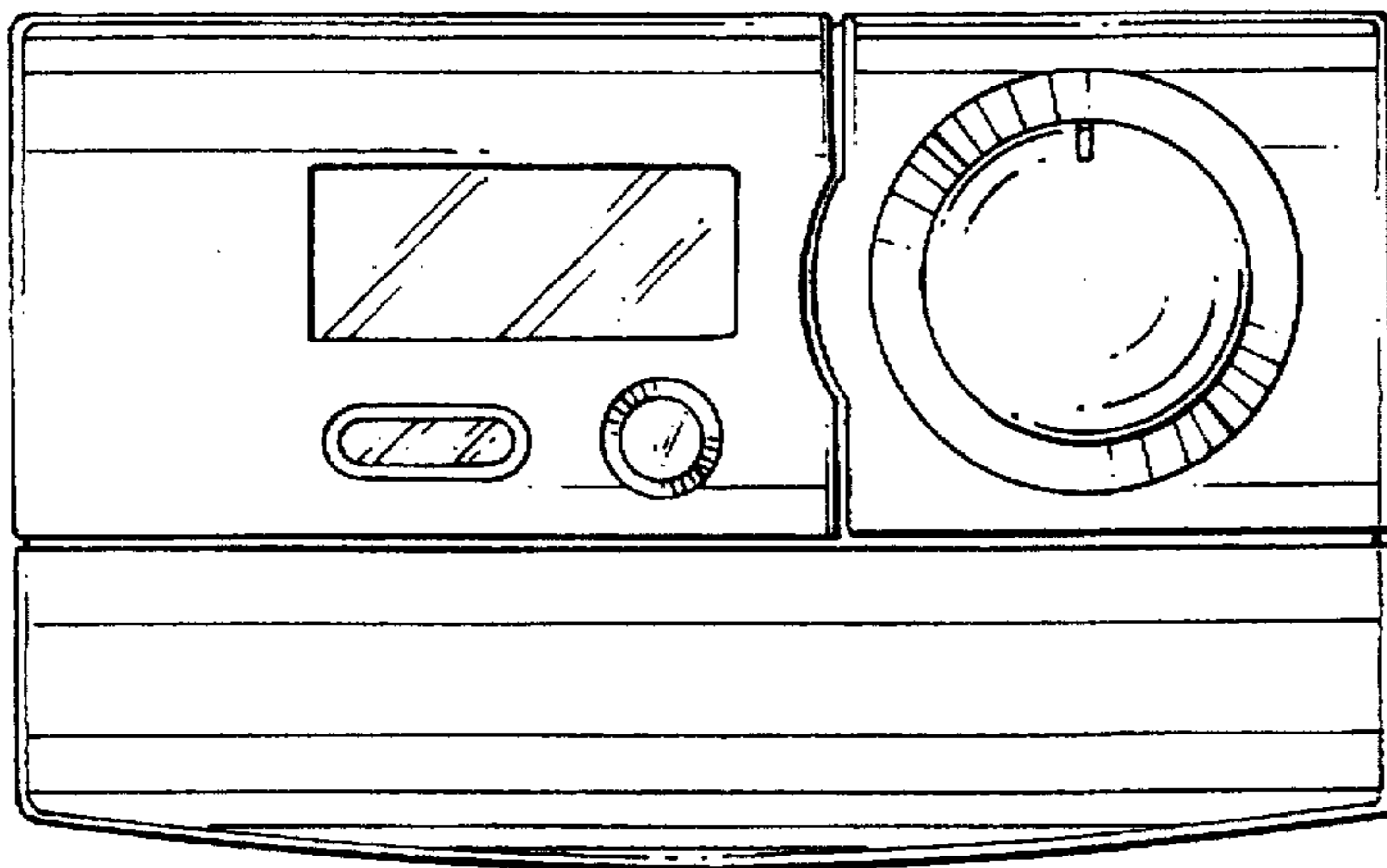
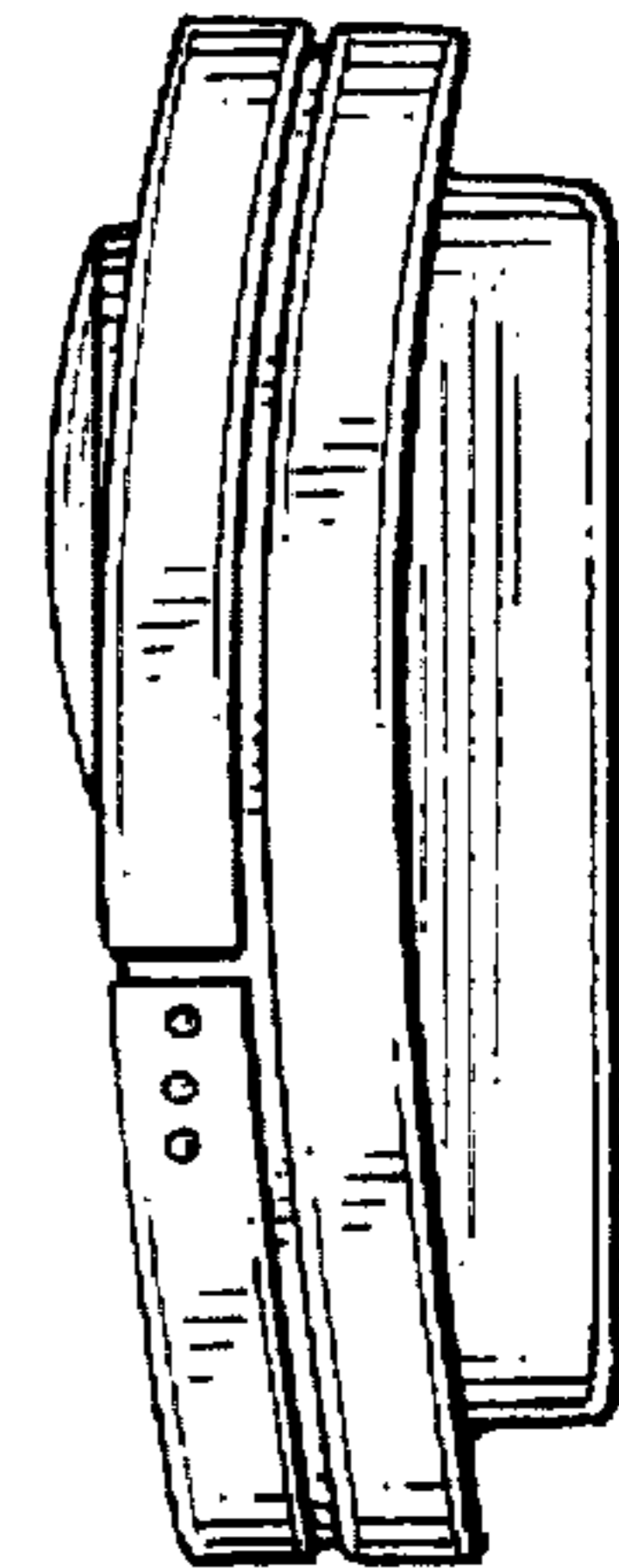


FIG. 2

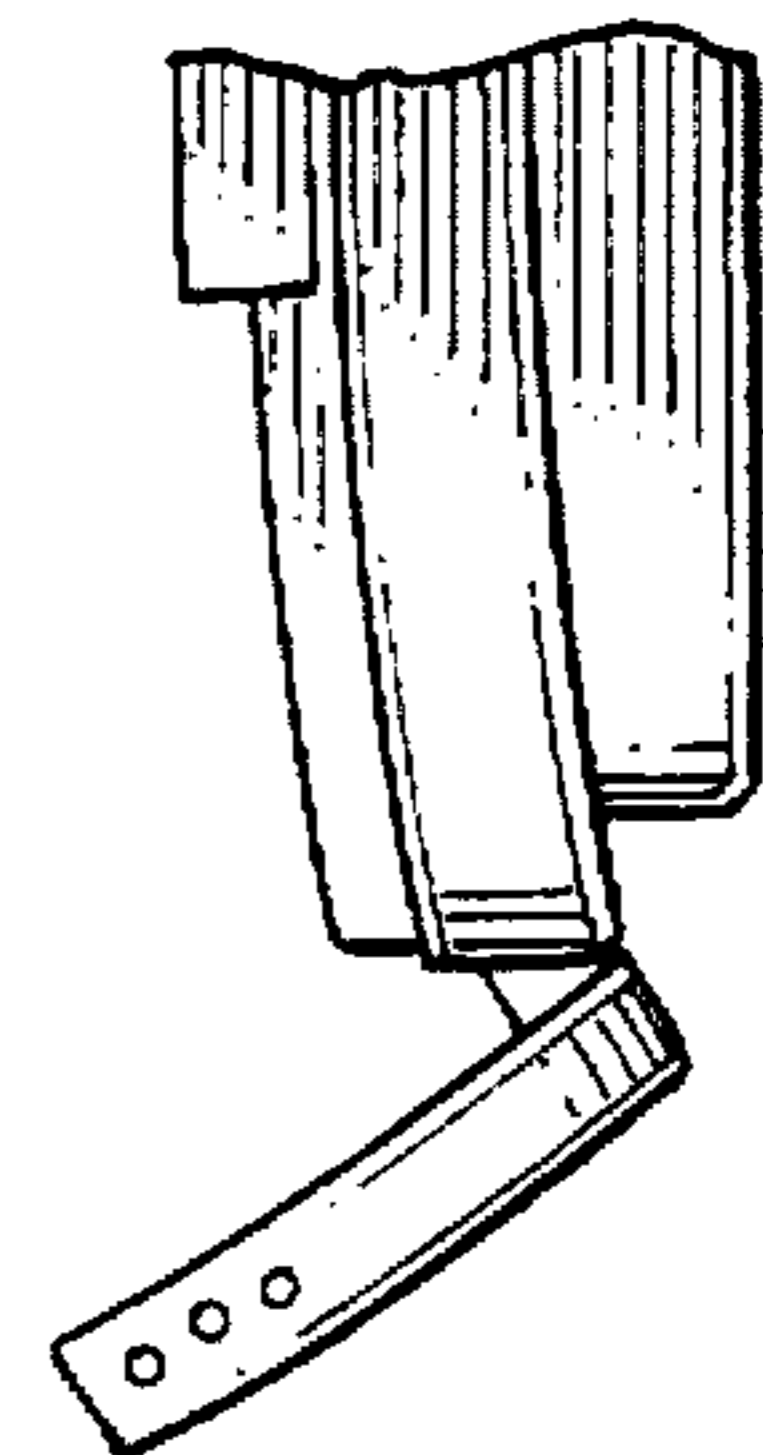


FIG. 7

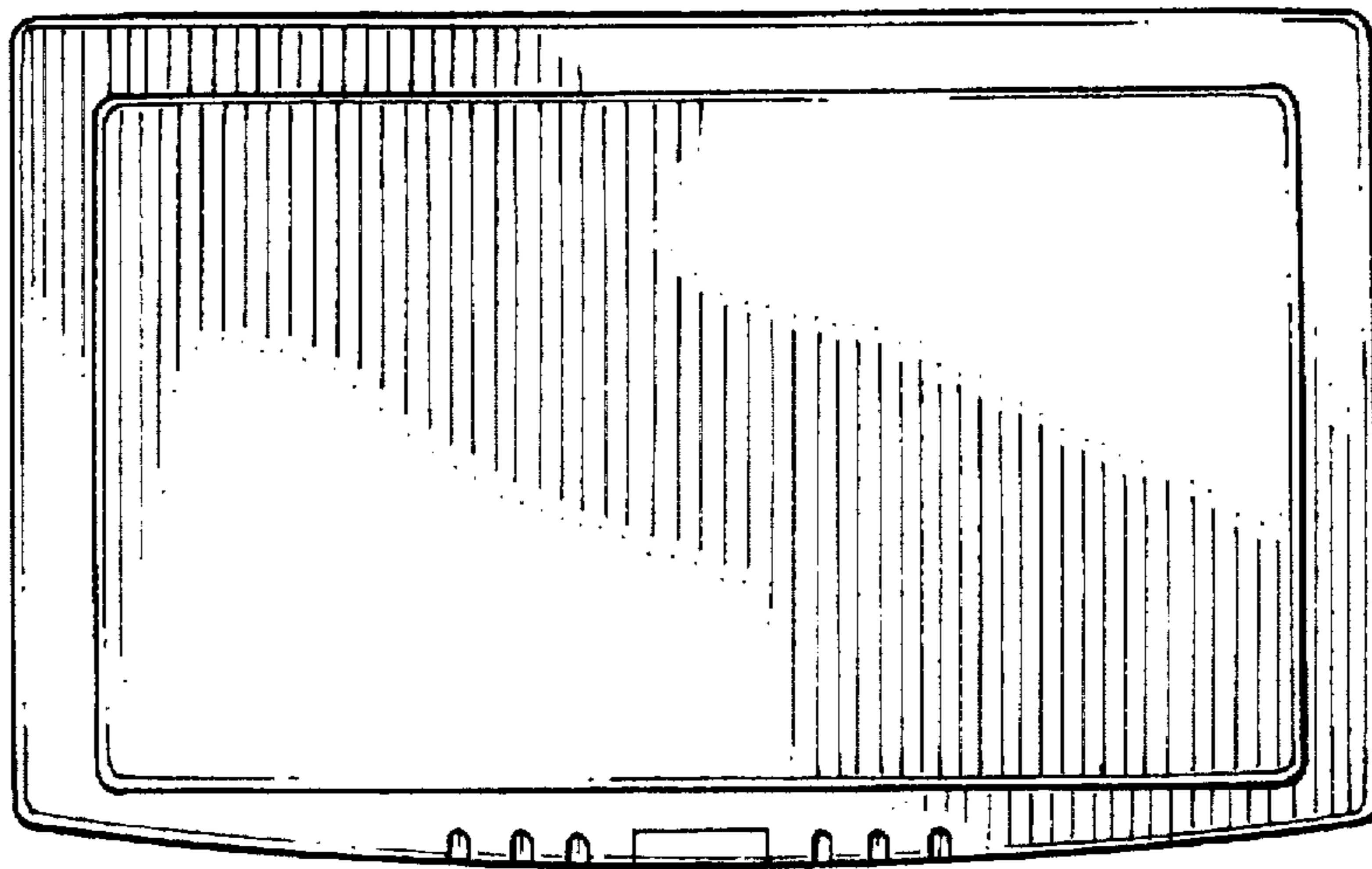


FIG. 3

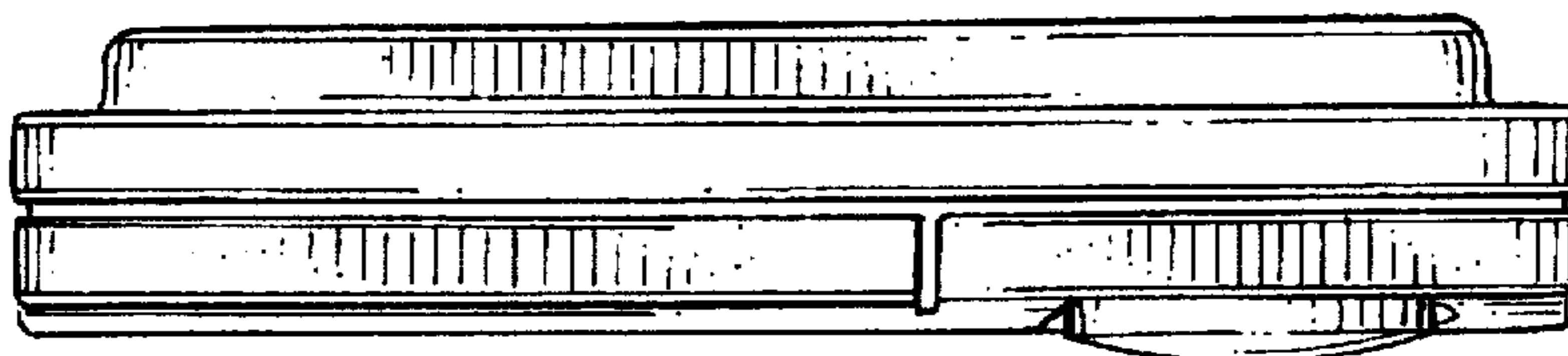


FIG. 5

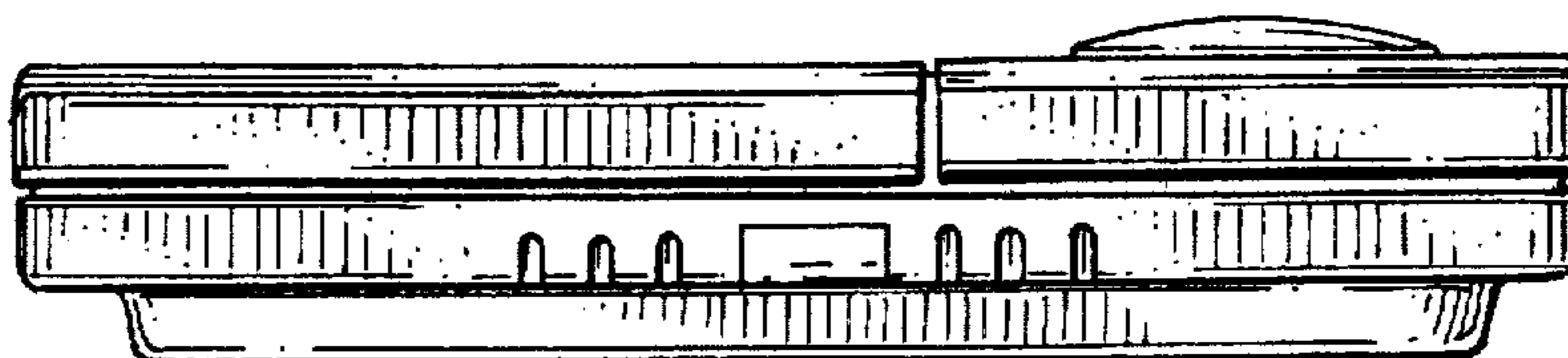


FIG. 6

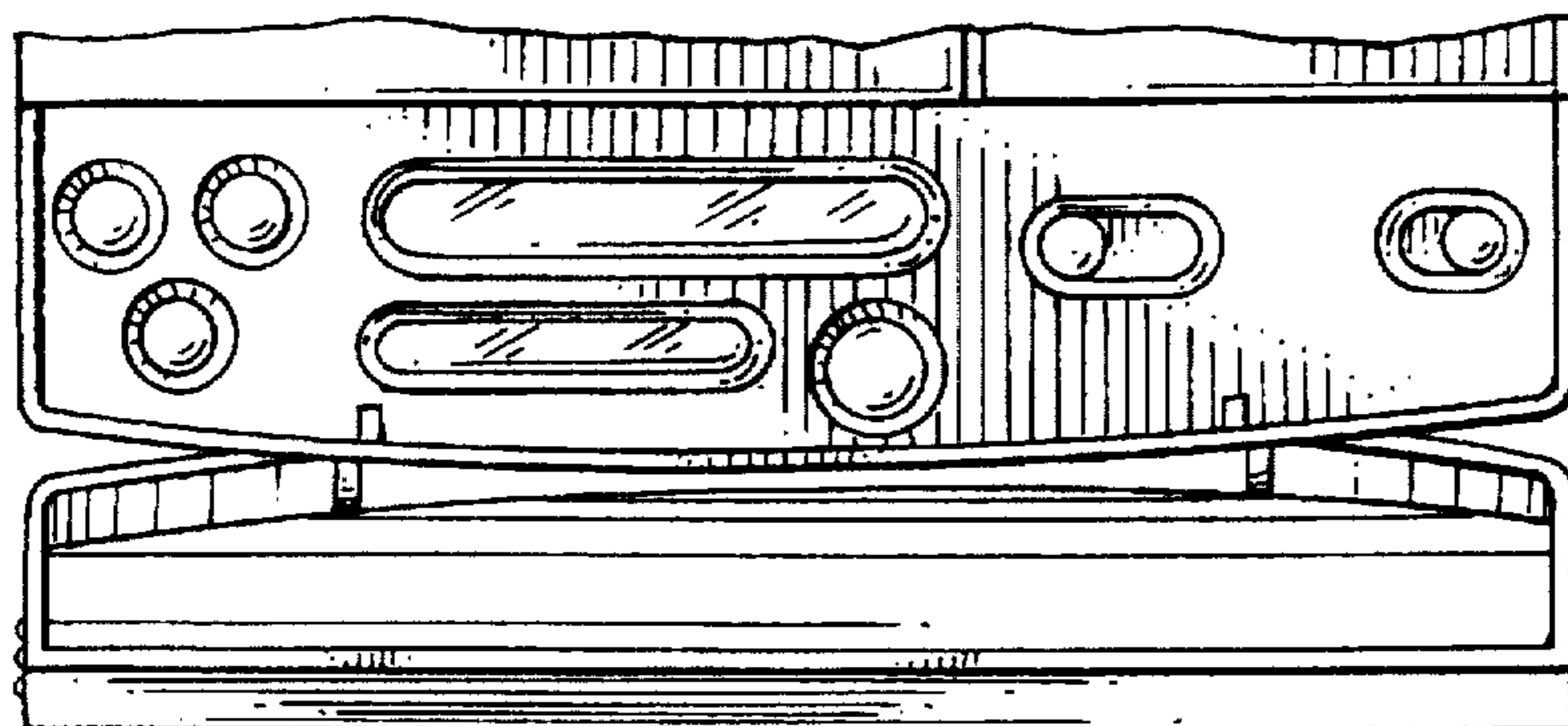
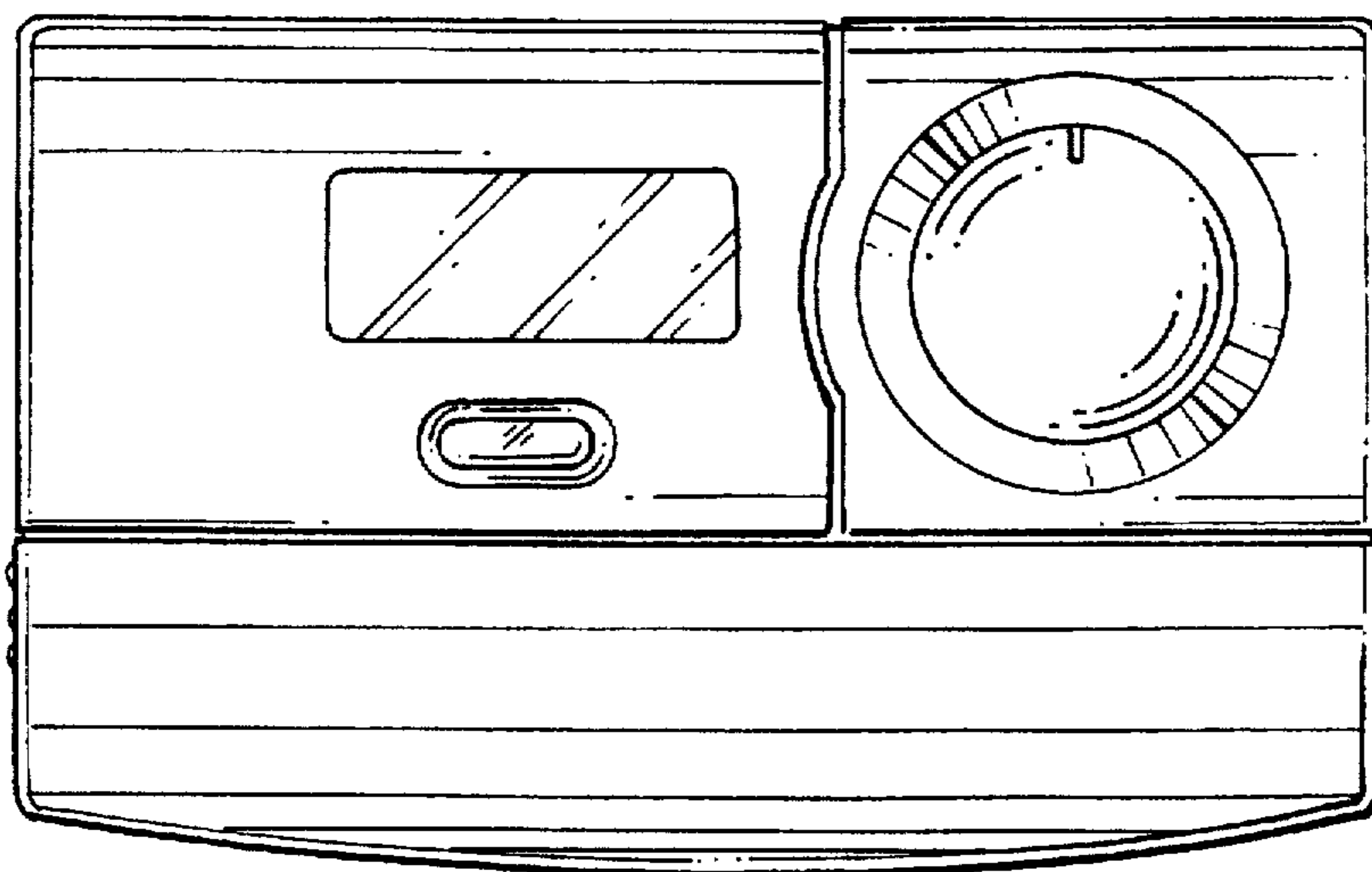
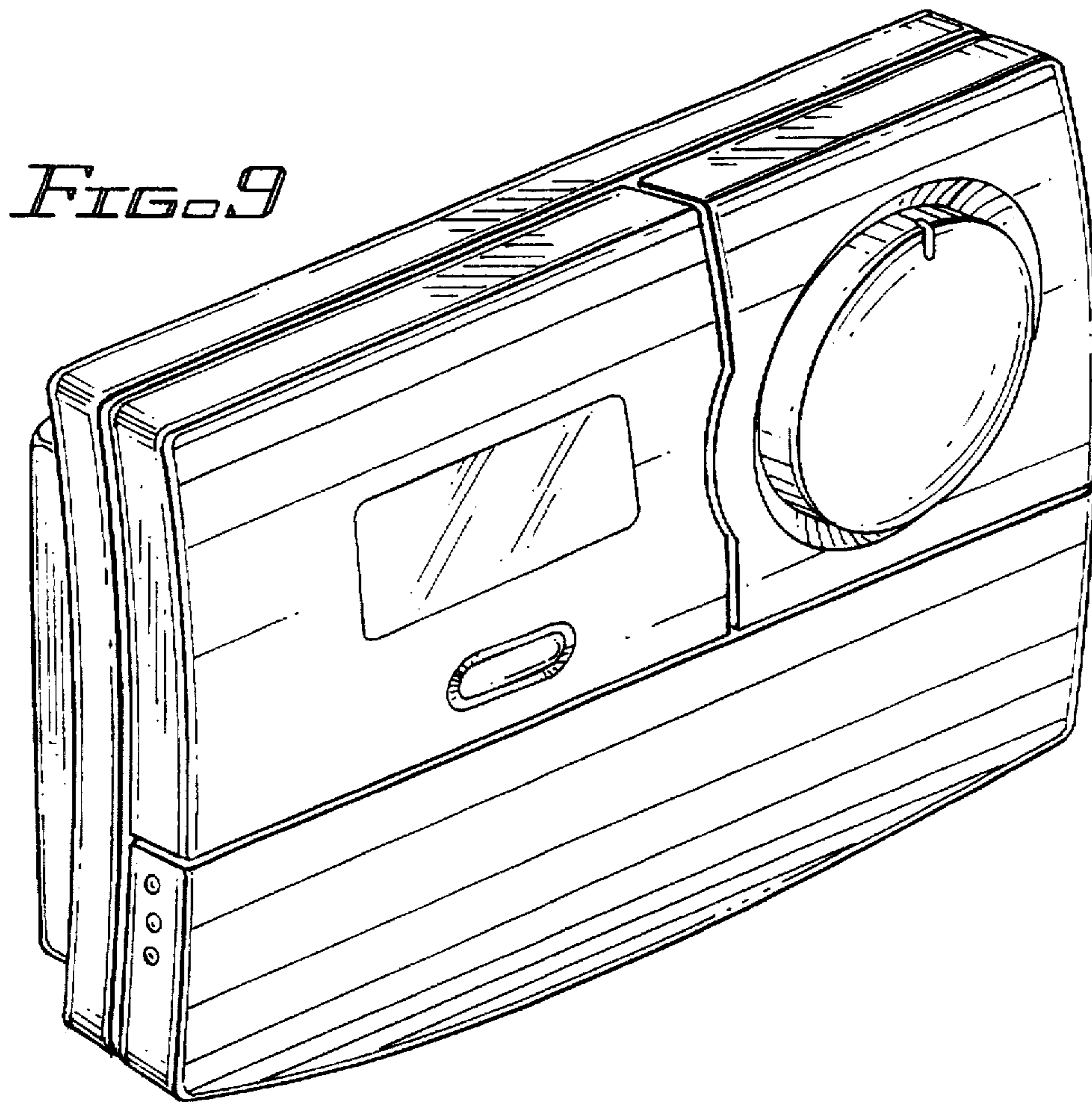


FIG. 8



*FIG. 10*