



US00D396642S

United States Patent [19] Lai

[11] Patent Number: **Des. 396,642**

[45] Date of Patent: ****Aug. 4, 1998**

[54] **CLOCK**

[75] Inventor: **Simon Lai**, Taichung Hsien, Taiwan

[73] Assignee: **Jin Hong Enterprises Co., Ltd.**,
Taiwan

[**] Term: **14 Years**

[21] Appl. No.: **74,101**

[22] Filed: **Jul. 28, 1997**

[51] LOC (6) Cl. **10-01**

[52] U.S. Cl. **D10/6; D10/2**

[58] Field of Search D10/1-40, 122-132;
368/276-277, 285, 316-317

[56] **References Cited**

U.S. PATENT DOCUMENTS

- D. 262,024 11/1981 Thomas D14/143
- D. 274,986 8/1984 Marmelstein D10/6
- D. 359,917 7/1995 Haenni D10/33
- D. 378,804 4/1997 Levine D10/6

OTHER PUBLICATIONS

Hong Kong Enterprise—Oct. 1990—p.79—Soccer clocks.
European Jeweler—Mar. 1981—p. 102—Clock at Top Left.

Primary Examiner—Nelson C. Holtje
Attorney, Agent, or Firm—Brinks Hofer Gilson & Lione

[57] **CLAIM**

The ornamental design for clock, as shown and described.

DESCRIPTION

FIG. 1 is a perspective view of clock showing my new design;

FIG. 2 is a front elevational view thereof;

FIG. 3 is a rear elevational view thereof;

FIG. 4 is a left side elevational view thereof;

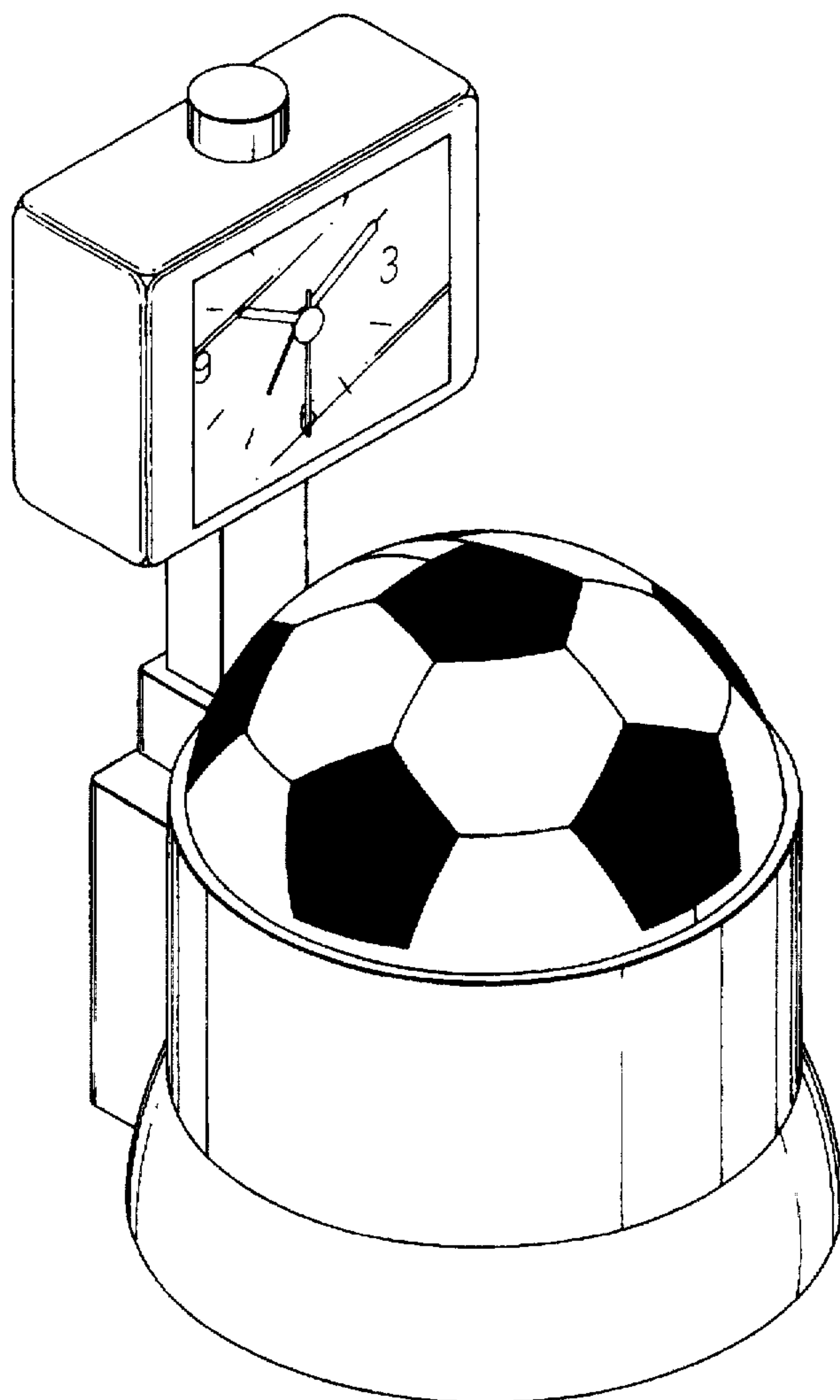
FIG. 5 is a right side elevational view thereof;

FIG. 6 is a top plan view thereof;

FIG. 7 is a bottom plan view thereof; and,

FIG. 8 is a perspective view thereof when in use.

1 Claim, 5 Drawing Sheets



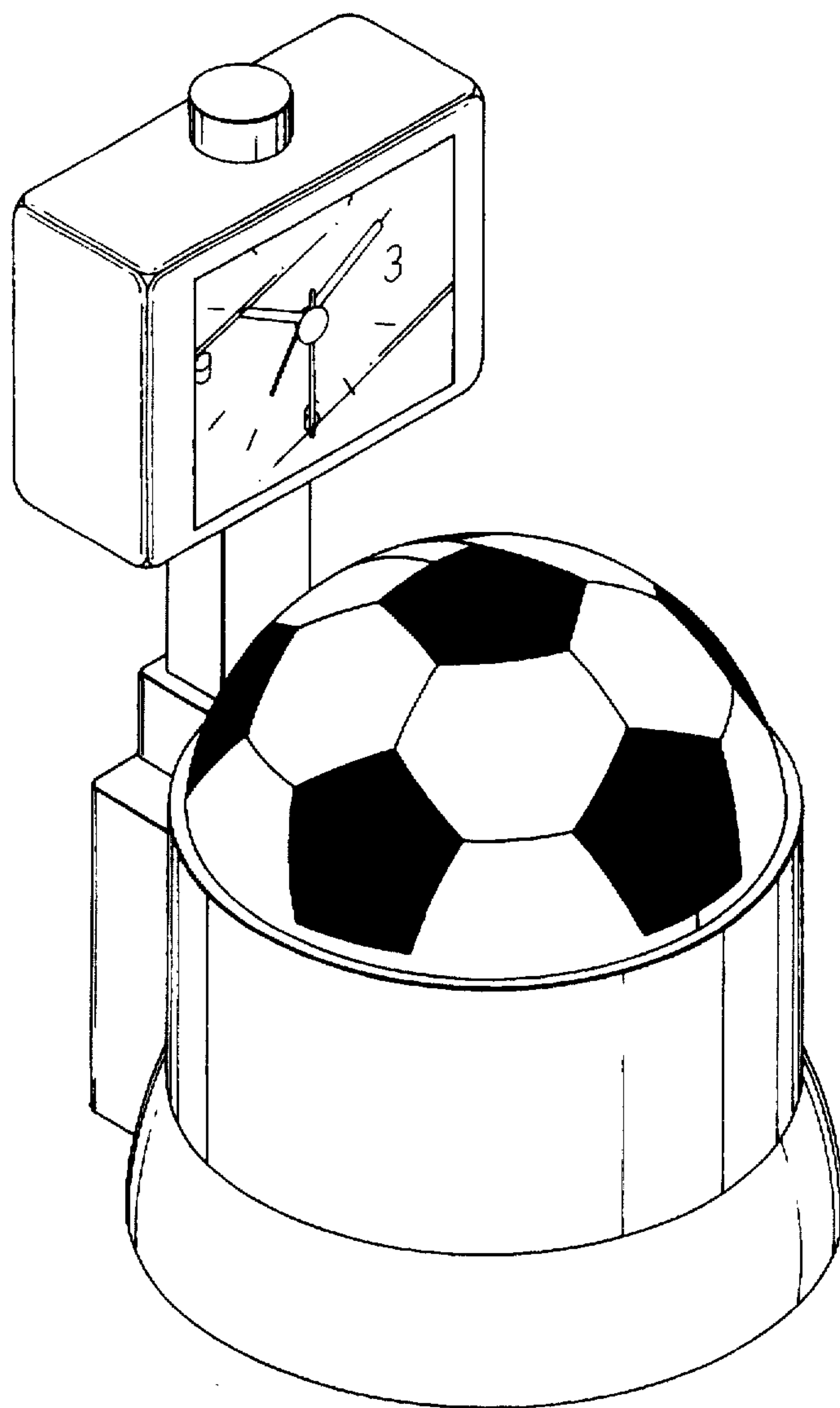


FIG. 1

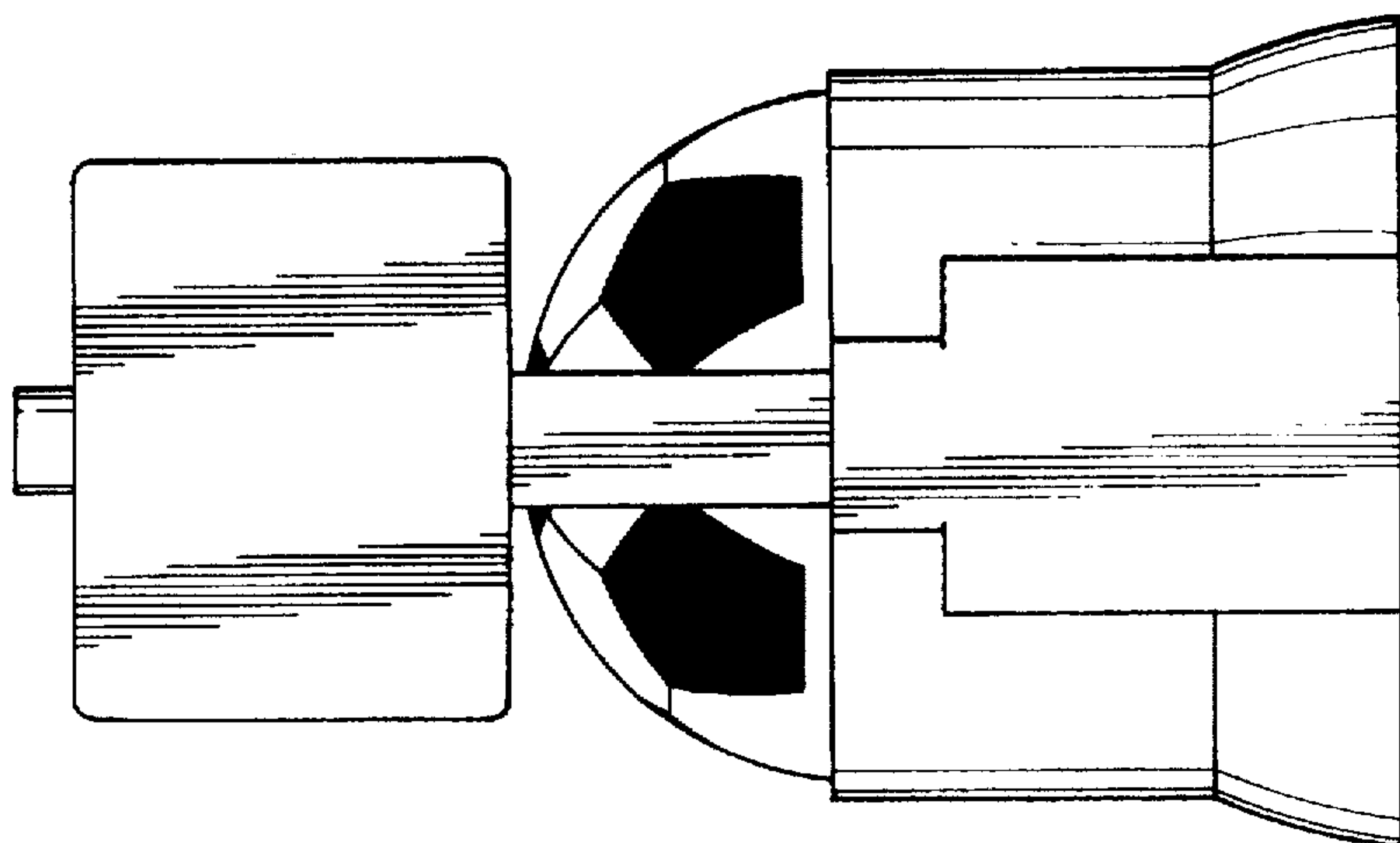


FIG. 3

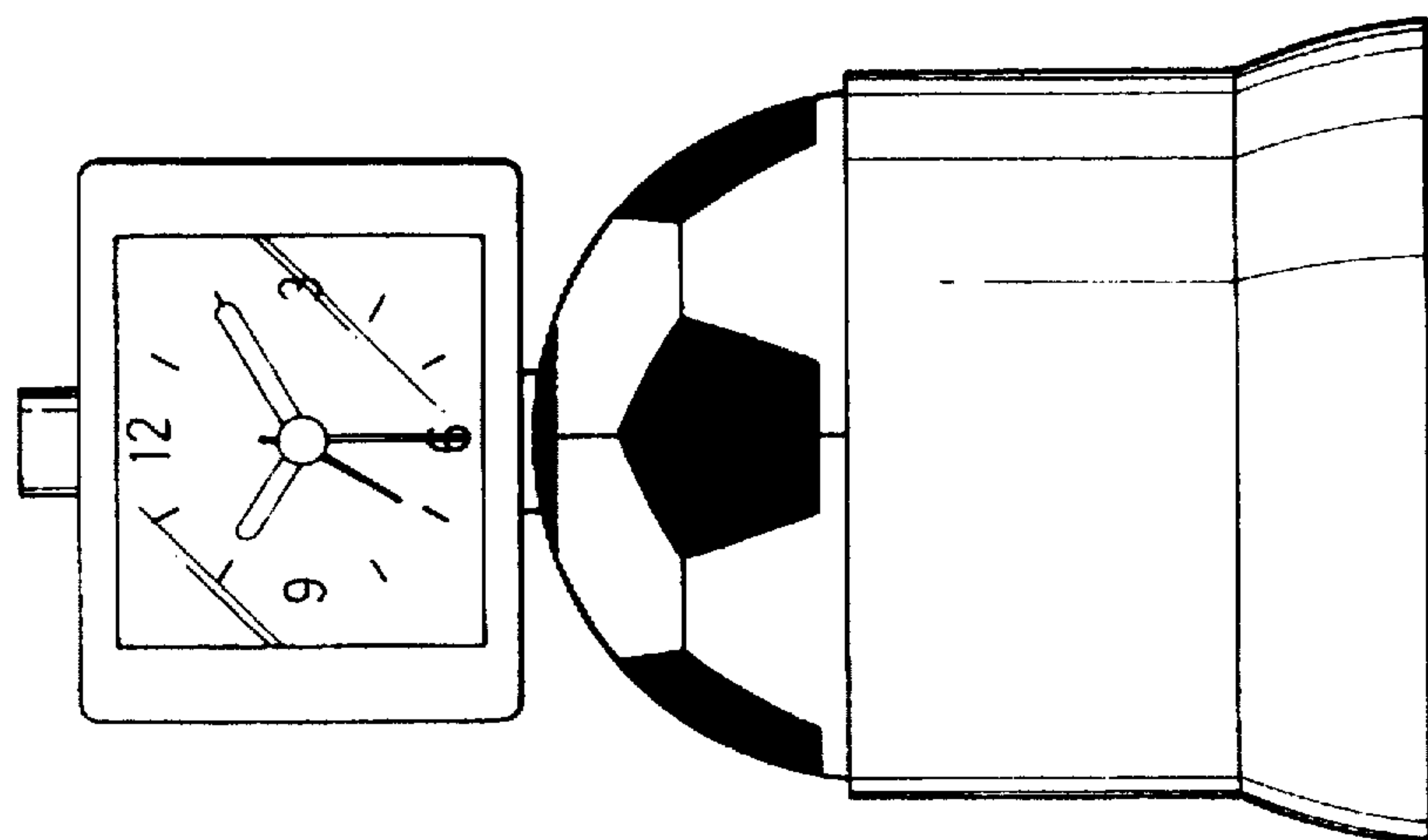


FIG. 2

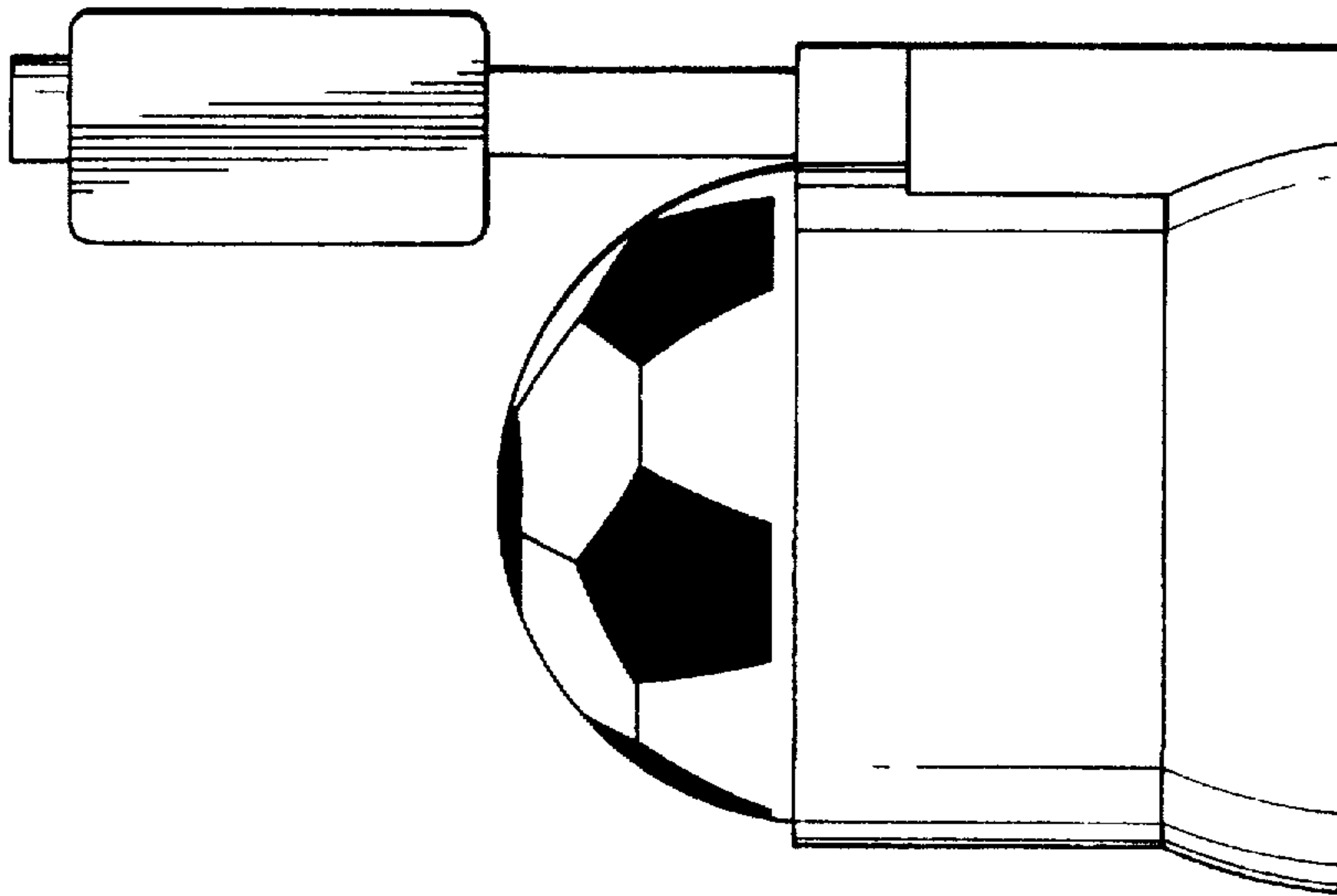


FIG. 5

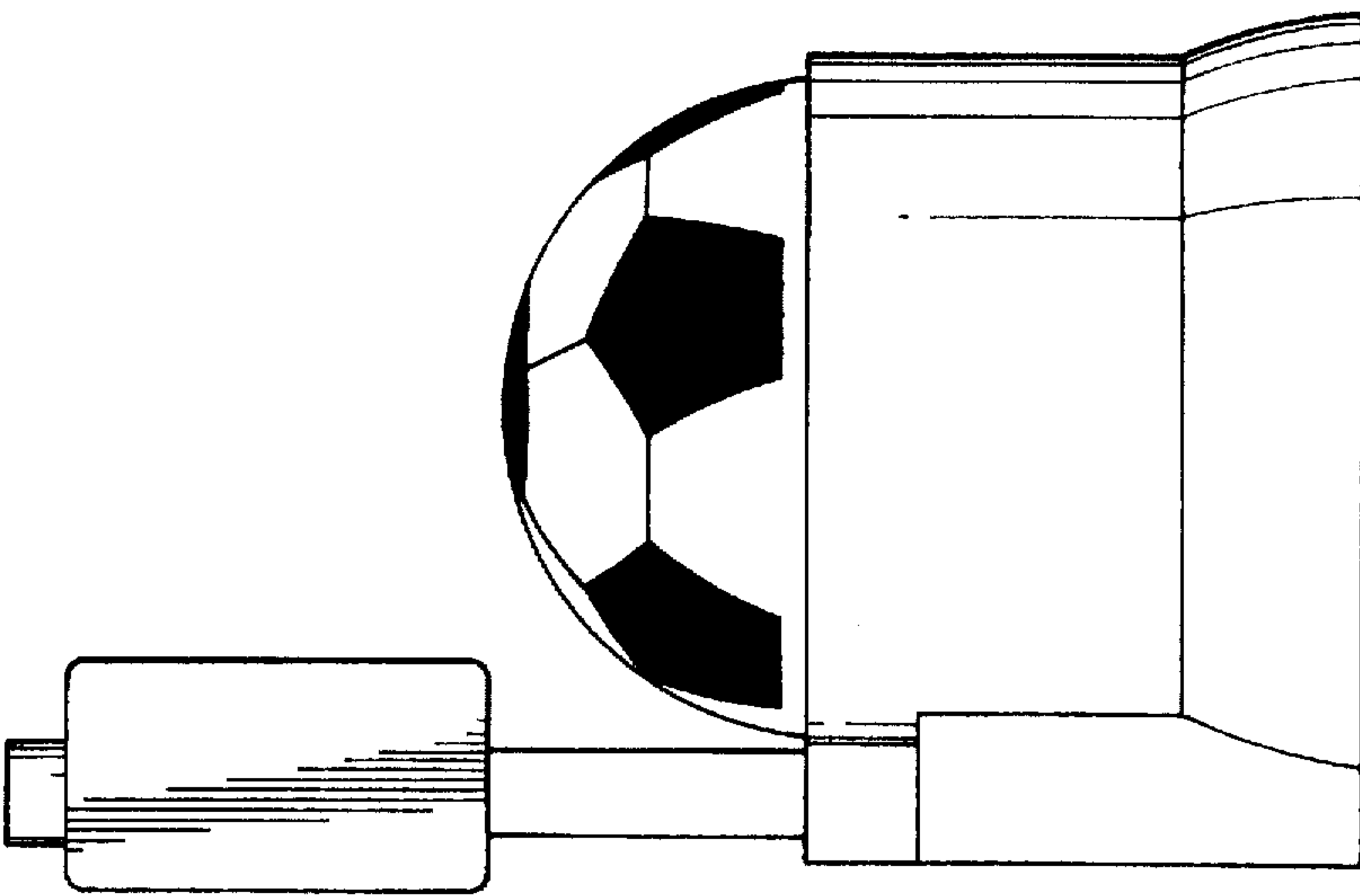


FIG. 4

FIG. 6

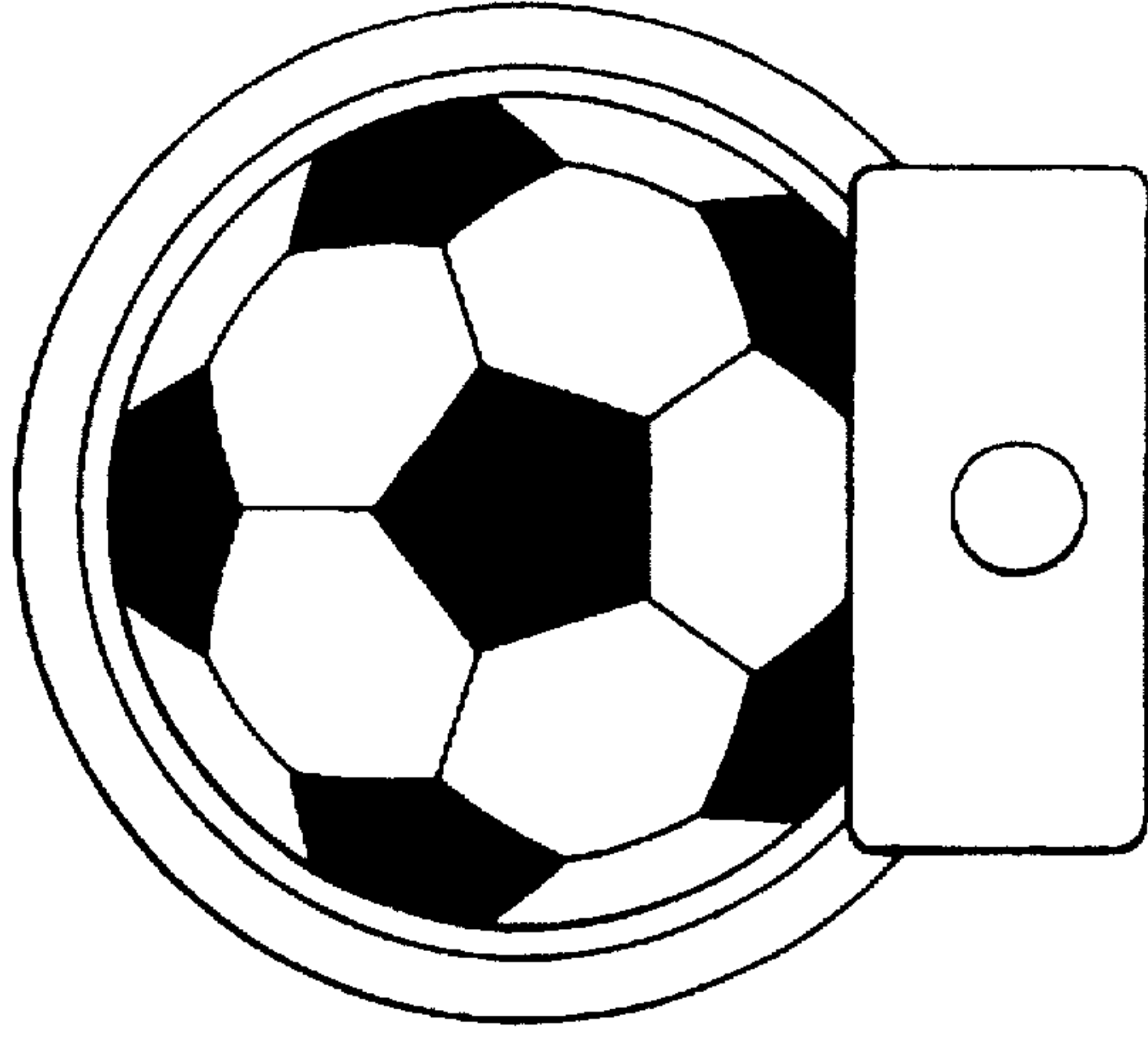
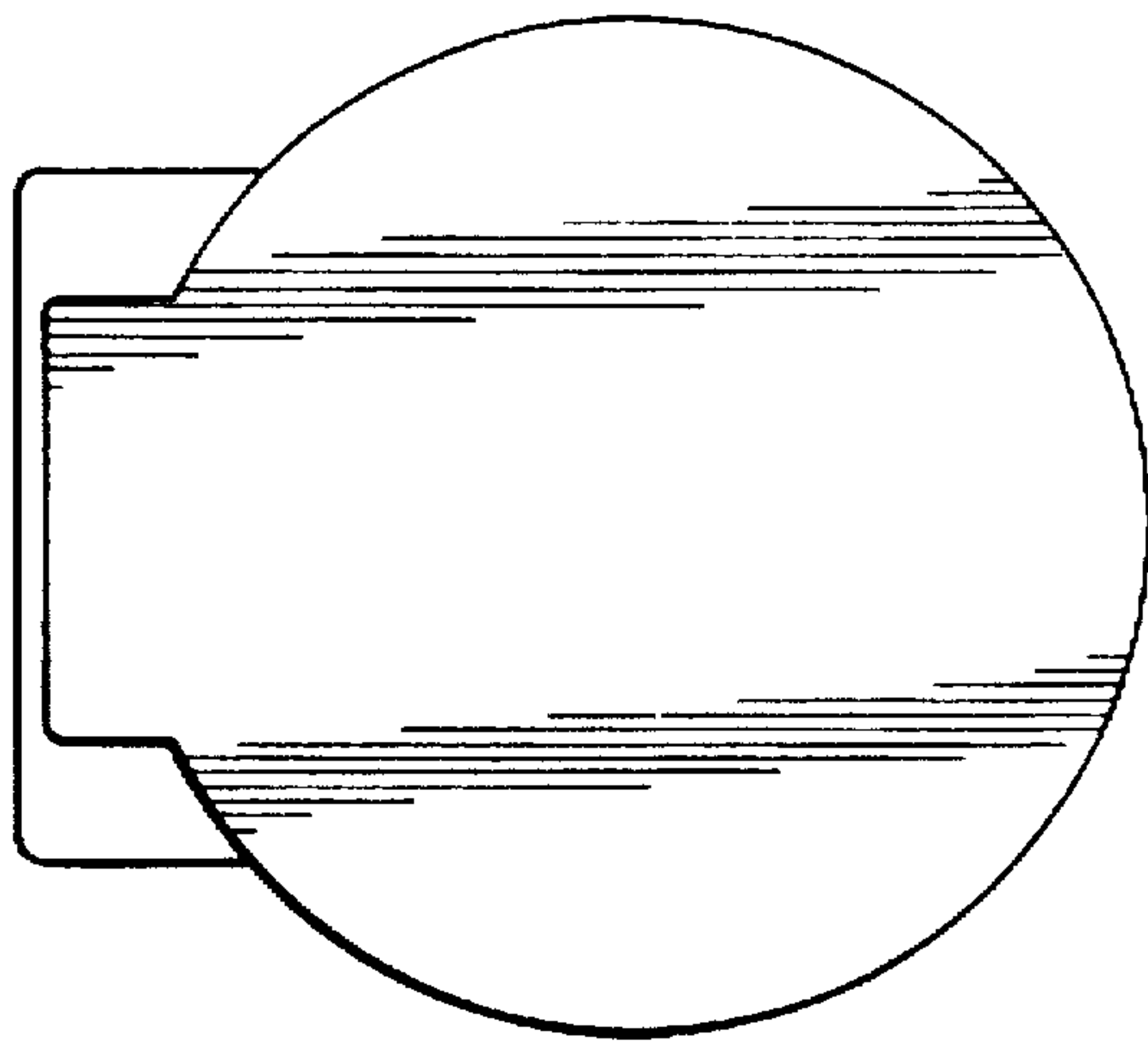


FIG. 7



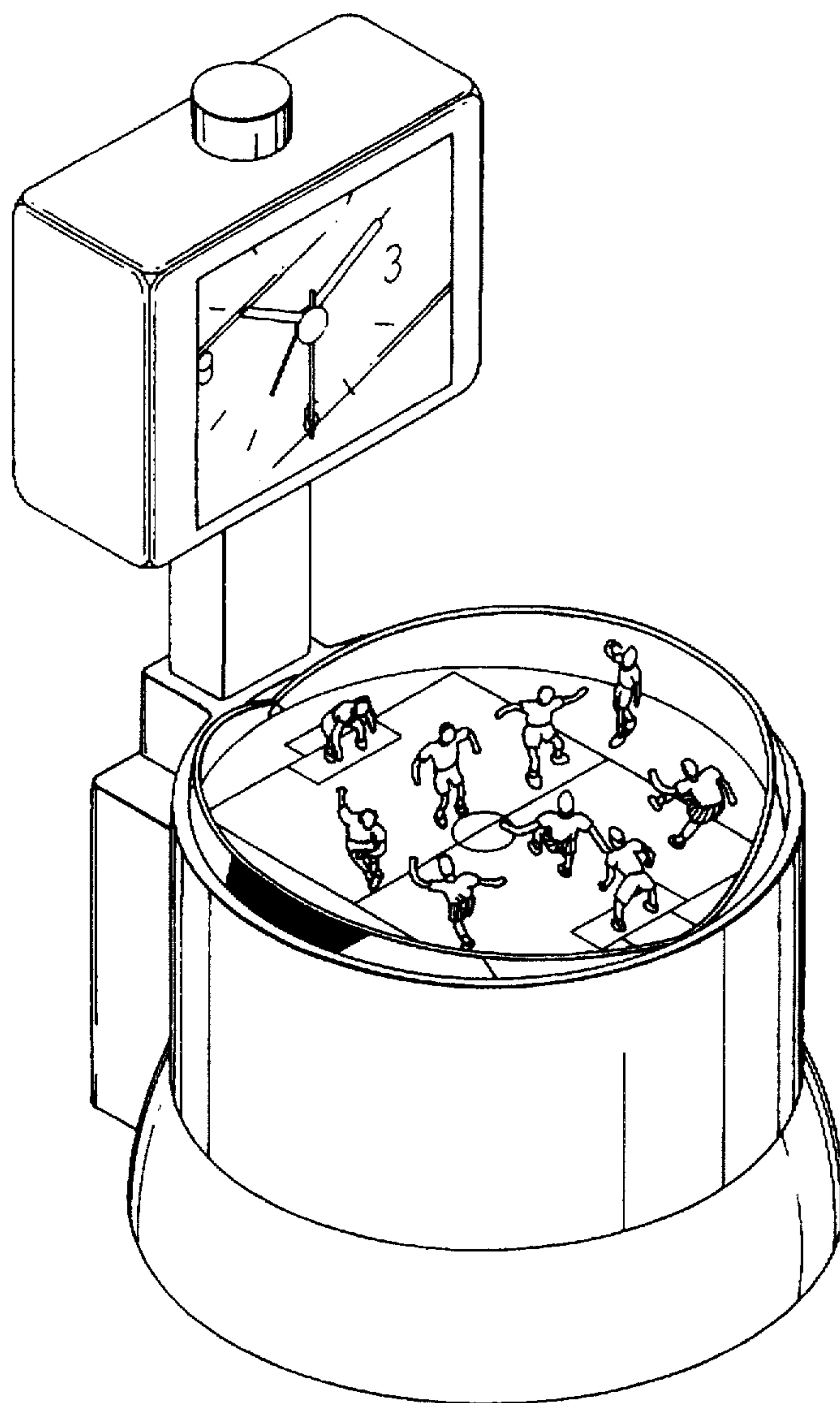


FIG. 8