



US00D396635S

United States Patent [19]
McEldowney

[11] **Patent Number: Des. 396,635**
[45] **Date of Patent: ***Aug. 4, 1998**

[54] **EASY-OPEN CONTAINER END**
[75] **Inventor: Carl McEldowney, Russia, Ohio**
[73] **Assignee: Aluminum Company of America, Pittsburgh, Pa.**
[*] **Notice:** The portion of the term of this patent subsequent to Aug. 19, 2011, has been disclaimed.
[**] **Term: 14 Years**
[21] **Appl. No.: 50,629**
[22] **Filed: Feb. 20, 1996**
[51] **LOC (6) Cl. 09-07**
[52] **U.S. Cl. D9/438**
[58] **Field of Search D9/434, 435, 438, D9/499, 416, 518; 215/255; 220/269-271, 906; 222/153.07, 541.9**

| | | | |
|-----------|---------|-----------------------|---------|
| 4,061,243 | 12/1977 | Khoury | 220/269 |
| 4,184,607 | 1/1980 | Potts | 220/273 |
| 4,205,760 | 6/1980 | Hasegawa | 220/271 |
| 4,210,257 | 7/1980 | Radtke | 220/269 |
| 4,211,335 | 7/1980 | Langseder | 220/269 |
| 4,276,993 | 7/1981 | Hasegawa | 220/269 |
| 4,361,251 | 11/1982 | Langseder et al. | 220/269 |
| 4,363,419 | 12/1982 | Walz, Sr. | 220/269 |
| 4,387,827 | 6/1983 | Ruemer, Jr. | 220/269 |
| 4,465,204 | 8/1984 | Kaminski et al. | 220/269 |
| 4,733,793 | 3/1988 | Moen | 220/269 |
| 4,872,597 | 10/1989 | Hanafusa | 222/541 |
| 4,930,654 | 6/1990 | Thibeault et al. | 220/253 |
| 5,011,037 | 4/1991 | Moen et al. | 220/271 |
| 5,411,159 | 5/1995 | Fan | 220/269 |

Primary Examiner—James Gandy
Assistant Examiner—Cathron B. Matta
Attorney, Agent, or Firm—Thomas R. Trempus

[57] **CLAIM**

The ornamental design for an easy-open container end, as shown and described.

[56] **References Cited**

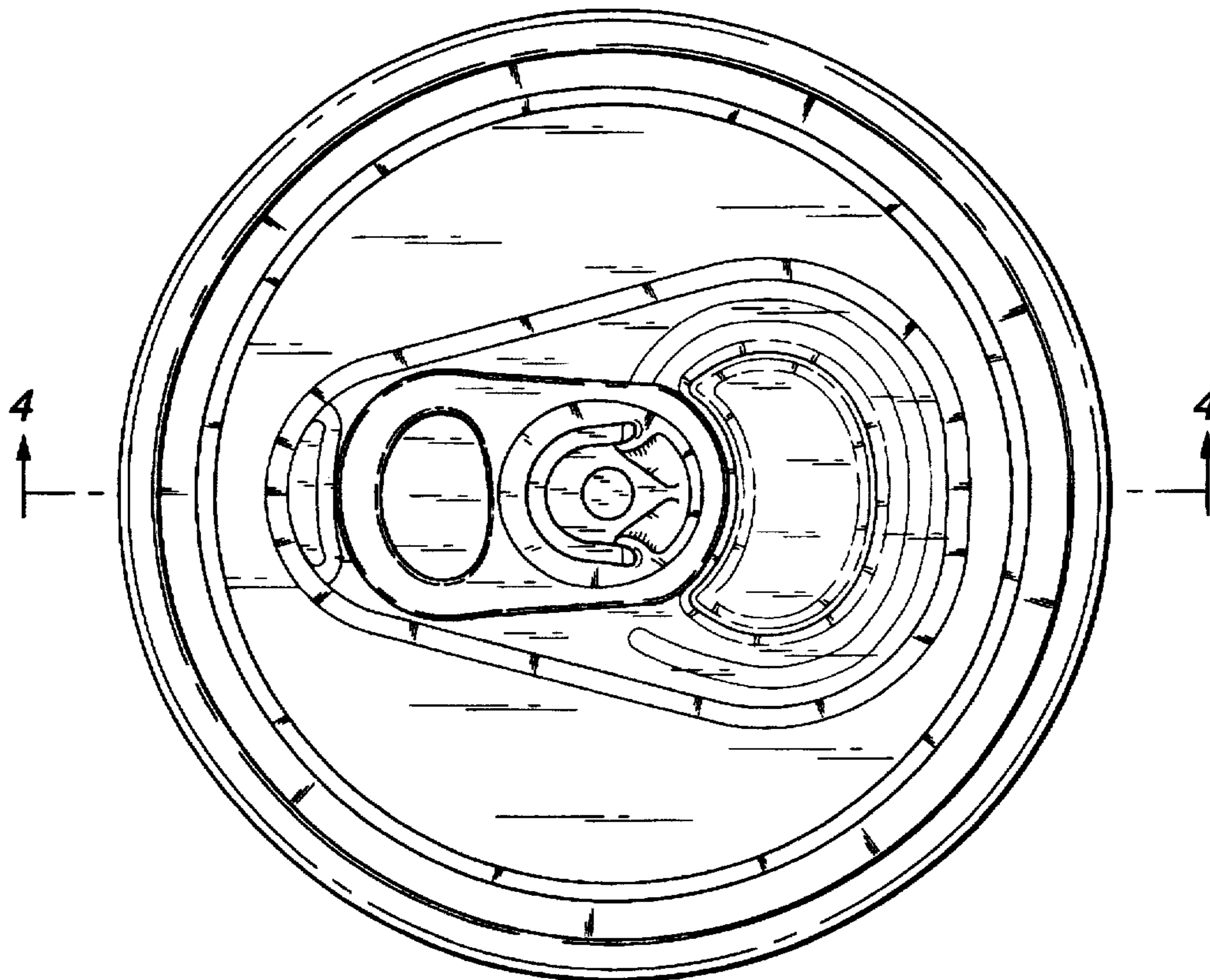
U.S. PATENT DOCUMENTS

| | | | |
|------------|---------|------------------|---------|
| Re. 31,702 | 10/1984 | Brown | 220/269 |
| D. 337,521 | 7/1993 | McNulty | D9/438 |
| D. 338,156 | 8/1993 | Cook | D9/438 |
| D. 365,988 | 1/1996 | Clark, III | D9/438 |
| 3,534,883 | 10/1970 | Khoury | 220/54 |
| 3,929,252 | 12/1975 | La Croce | 220/269 |
| 4,015,744 | 4/1977 | Brown | 220/269 |
| 4,024,981 | 5/1977 | Brown | 220/269 |

DESCRIPTION

FIG. 1 is a top plan view of an easy-open container end showing my new design;
FIG. 2 is a side elevation view thereof;
FIG. 3 is a bottom plan view thereof; and,
FIG. 4 is a section through the easy-open container end of FIG. 1 along lines 4—4 thereof.

1 Claim, 2 Drawing Sheets



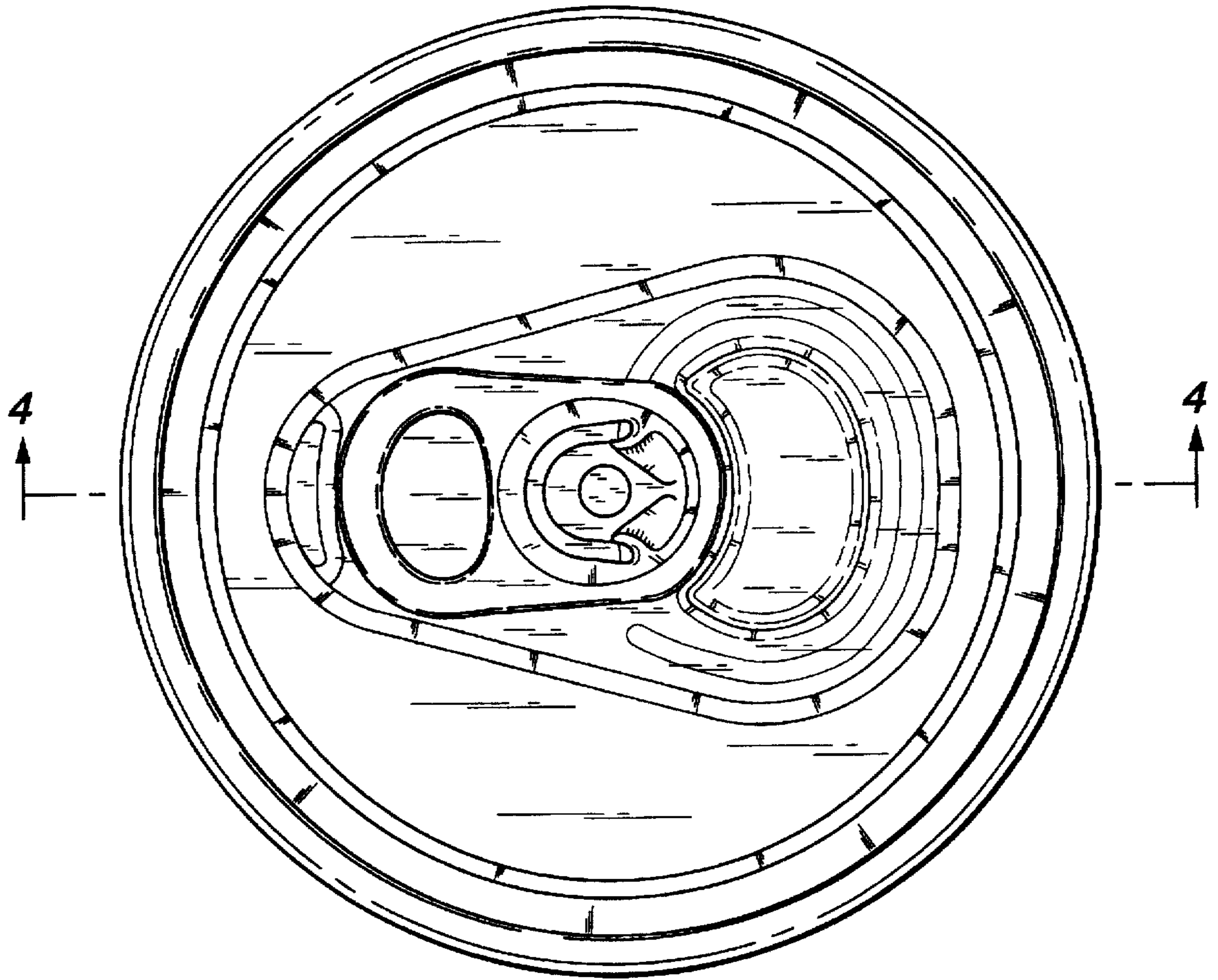


FIG. 1

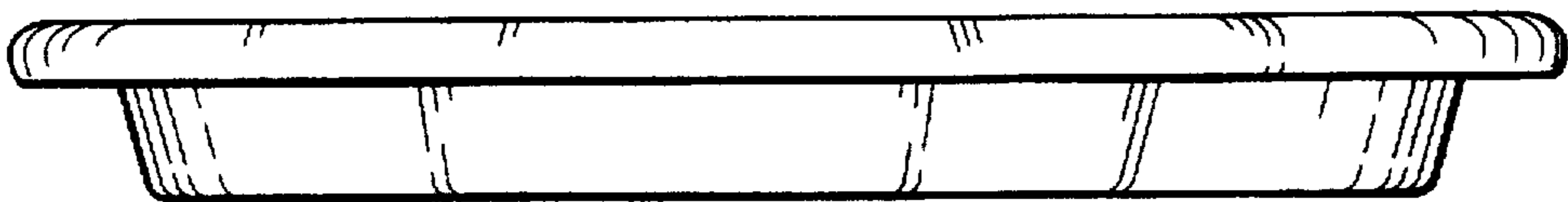


FIG. 2

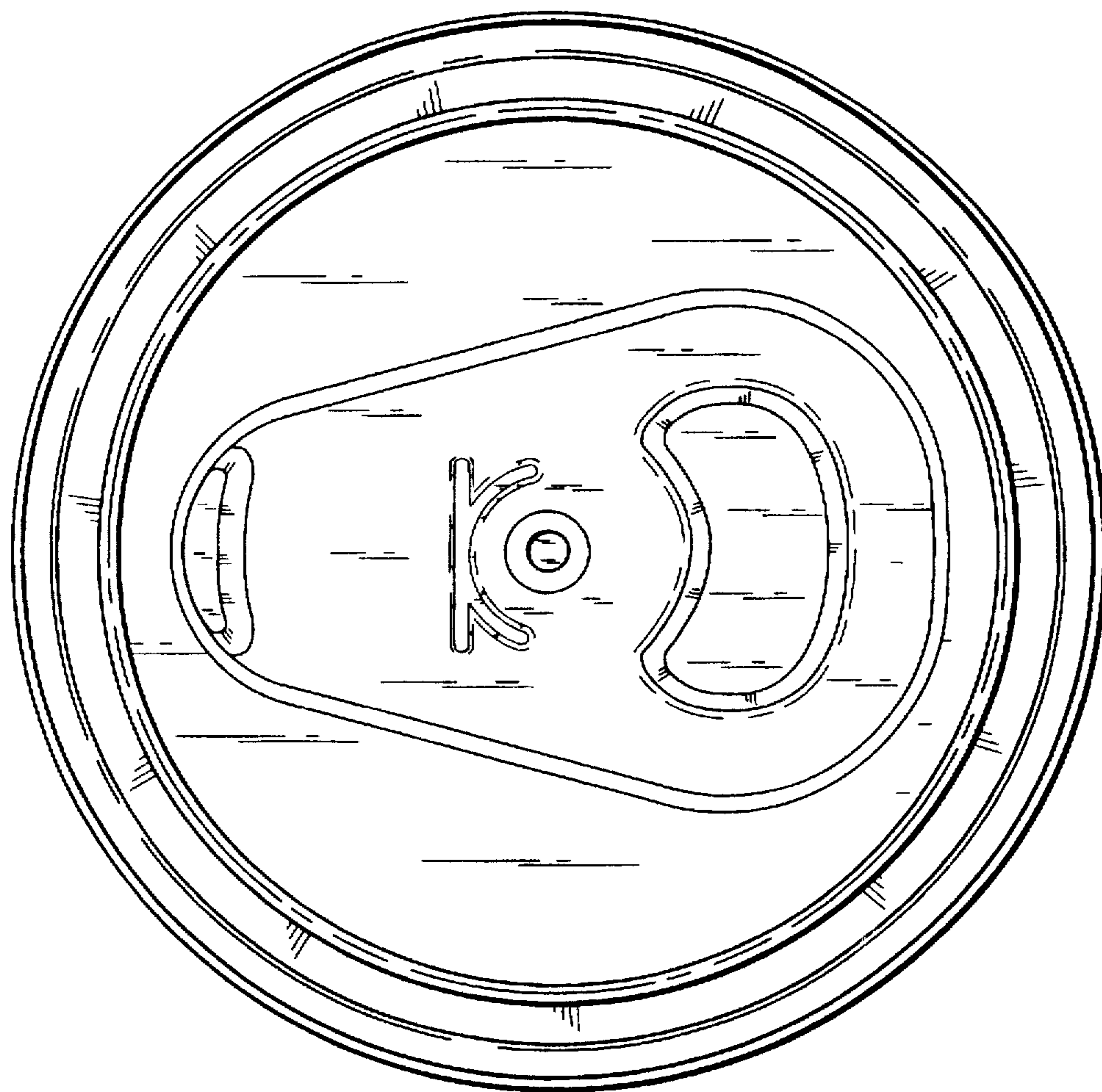


FIG. 3



FIG. 4