



US00D396631S

United States Patent [19]

DuGrenier et al.

[11] Patent Number: **Des. 396,631**

[45] Date of Patent: ****Aug. 4, 1998**

[54] **DUAL COMPARTMENT TORPEDO-SHAPED BOTTLE AND PACKAGE**

[75] Inventors: **Robert DuGrenier**, New York, N.Y.; **Brad Levy**; **Judy Levy**, both of Youngstown, Ohio

[73] Assignee: **Fragrance International, Inc.**, Youngstown, Ohio

[**] Term: **14 Years**

[21] Appl. No.: **55,575**

[22] Filed: **Jun. 7, 1996**

[51] LOC (6) Cl. **09-03**

[52] U.S. Cl. **D9/307; D9/436**

[58] Field of Search D9/302, 306, 307, D9/308, 337, 414, 418, 428, 501; 220/506, 528

[56] **References Cited**

U.S. PATENT DOCUMENTS

- D. 112,545 12/1938 Younghusband .
- D. 183,939 11/1958 Loewy .
- D. 209,103 10/1967 Langewis D9/306
- D. 223,562 5/1972 Madeira D9/308
- D. 255,215 6/1980 Ellinwood .
- D. 257,227 10/1980 Youngberg D9/418
- D. 259,768 7/1981 Banasiak D9/414

(List continued on next page.)

Primary Examiner—James Gandy
Assistant Examiner—Cathron B. Matta
Attorney, Agent, or Firm—Browdy and Neimark

[57] **CLAIM**

The ornamental design for a dual compartment, torpedo-shaped bottle and package, as shown and described.

DESCRIPTION

FIG. 1 is perspective view of our dual compartment, torpedo-shaped bottle and package therefor, the transparent outer cylindrical package and the bottle therewithin being radially symmetrical;

FIG. 2 is a perspective view of the outer package thereof, shown without the bottle therein for convenience of illustration;

FIG. 3 is a perspective view of the bottle of FIG. 1, shown without the package for convenience of illustration;

FIG. 4 is a front elevational view thereof, the rear elevational view being the same;

FIG. 5 is a top plan view thereof, the bottom plan view being the same;

FIG. 6 is a plan view of the package of FIG. 2, the bottom plan view and the front and rear elevational views being the same;

FIG. 7 is plan view of the bottle of FIG. 3, the bottom plan view and front and rear elevational views thereof being the same;

FIG. 8 is a right side end view of the package of FIG. 1, showing the outside or bottom of the end cap thereof, and the opposite end view of the package is the same;

FIG. 9 is an end view of the bottle of FIG. 3, the opposite end view being the same;

FIG. 10 is a perspective view of the inside of the right hand side end cap of the package of FIG. 1, shown removed from the package for convenience of illustration;

FIG. 11 is an exploded elevation or plan view of the package of FIG. 2, showing removal of the right hand side end cap for insertion or removal of the torpedo shaped bottle, the opposite end cap being permanently fixed in place;

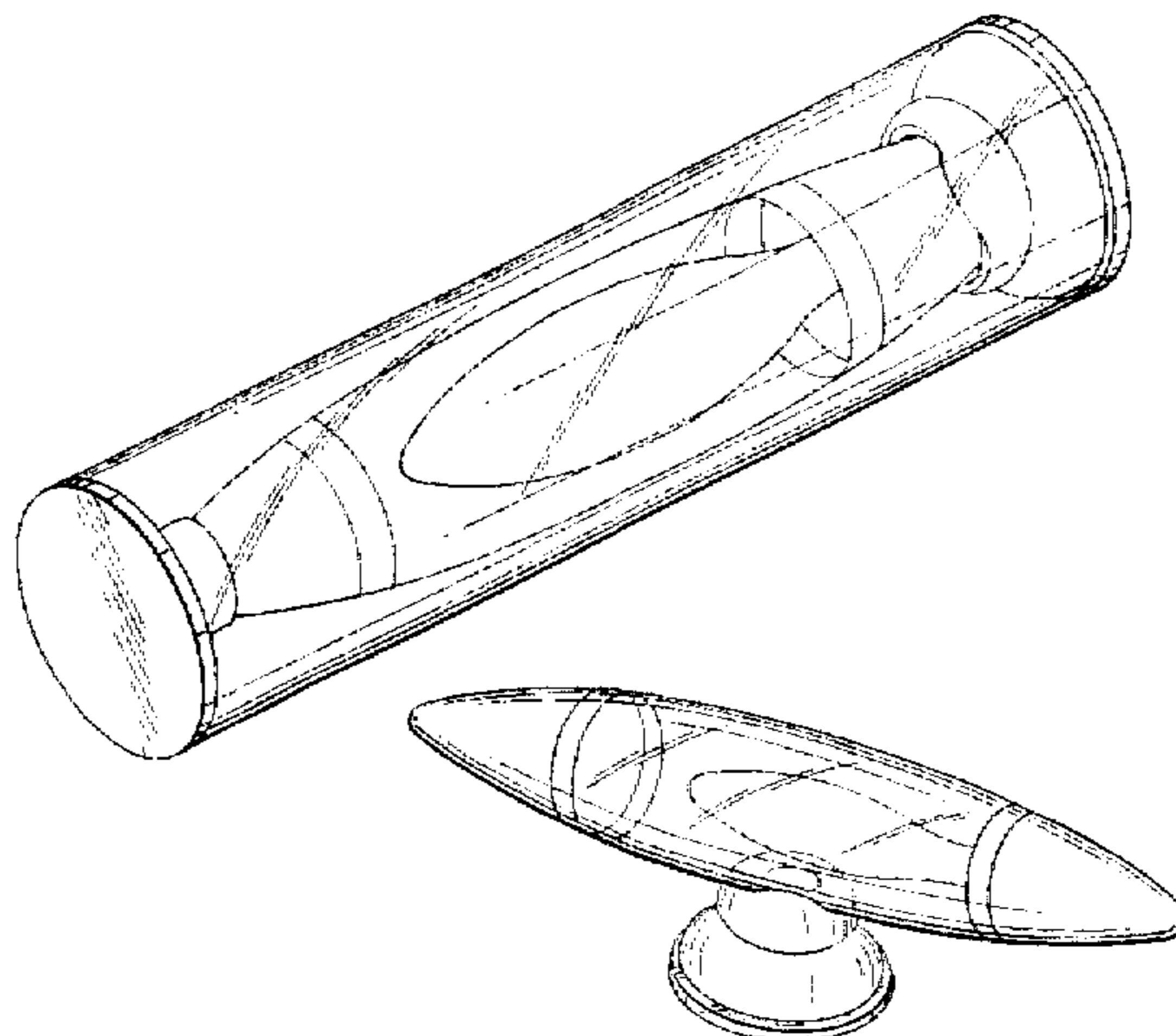
FIG. 12 is a perspective view of the bottle of FIG. 1, shown without the package for convenience of illustration, and shown resting on the right hand side end cap;

FIG. 13 is a perspective view of the bottle and end cap of FIG. 12, but shown in an alternate position;

FIG. 14 is a front elevational view of a second embodiment of the dual compartment, torpedo-shaped bottle and package therefor, the rear elevational view, bottom plan view, and top plan view being the same, it being understood that the sole difference in this second embodiment lies in the two end caps being identical, and disclosed as in FIGS. 2 and 10-13; and,

FIG. 15 is a perspective view of the left-hand side end cap of FIG. 1, shown removed from the package for convenience of illustration.

1 Claim, 4 Drawing Sheets



Des. 396,631

Page 2

U.S. PATENT DOCUMENTS

D. 340,618 10/1993 Zimmerman .
D. 350,460 9/1994 Picozza et al. .

D. 378,057 2/1997 Dikowitz D9/418
D. 383,390 9/1997 Abfier et al. D9/302 X
582,380 5/1897 Tebbutt .
3,470,929 10/1969 Thornton .

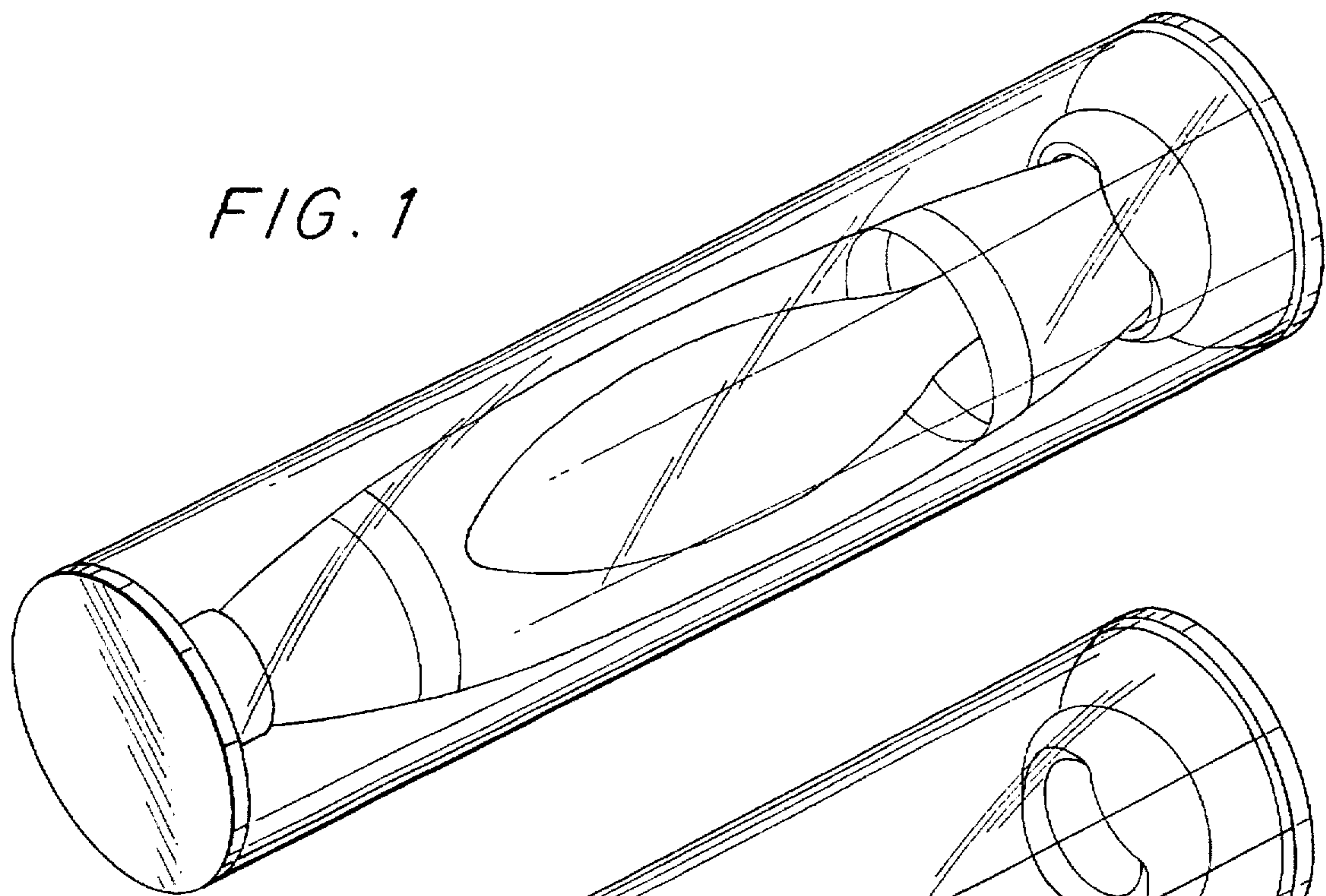


FIG. 1

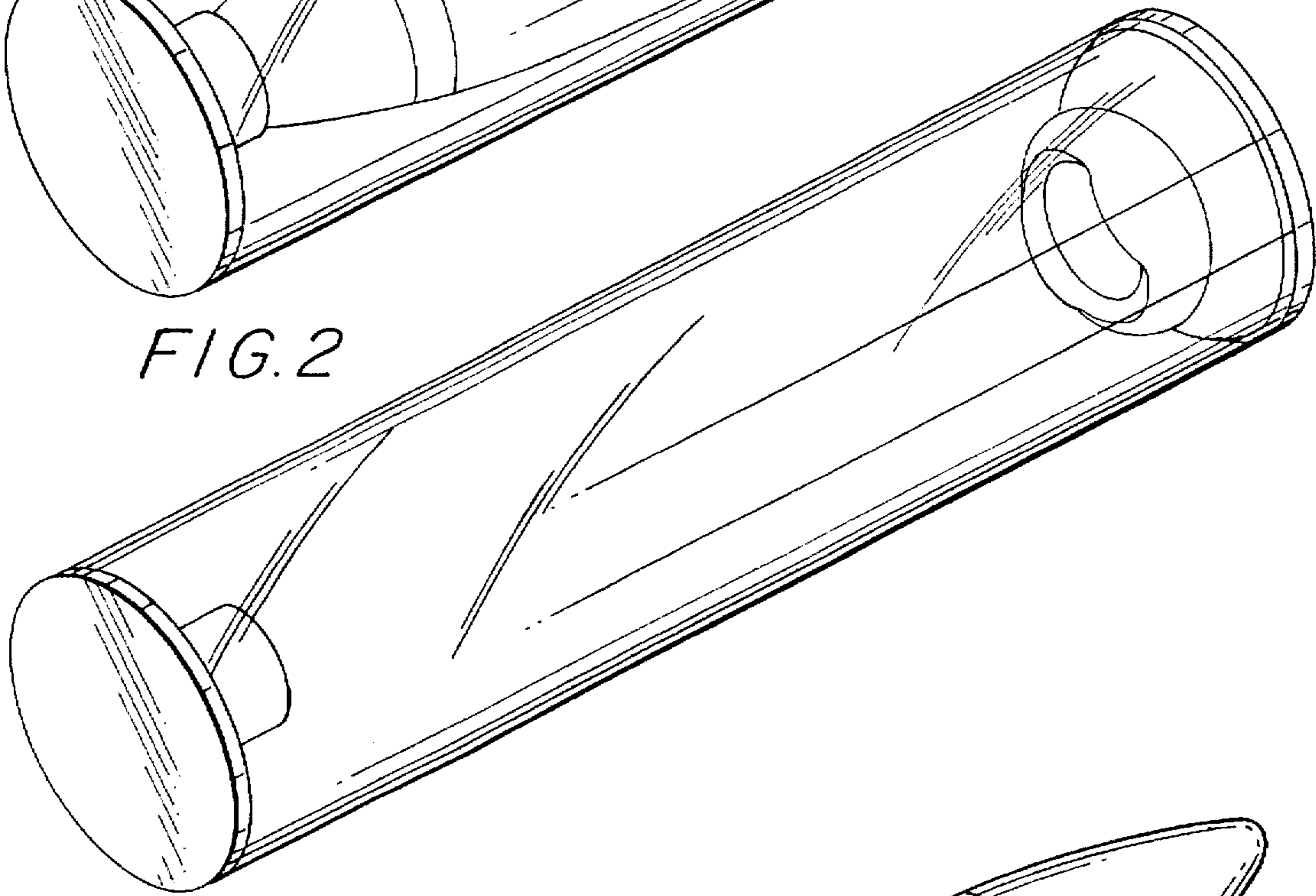


FIG. 2

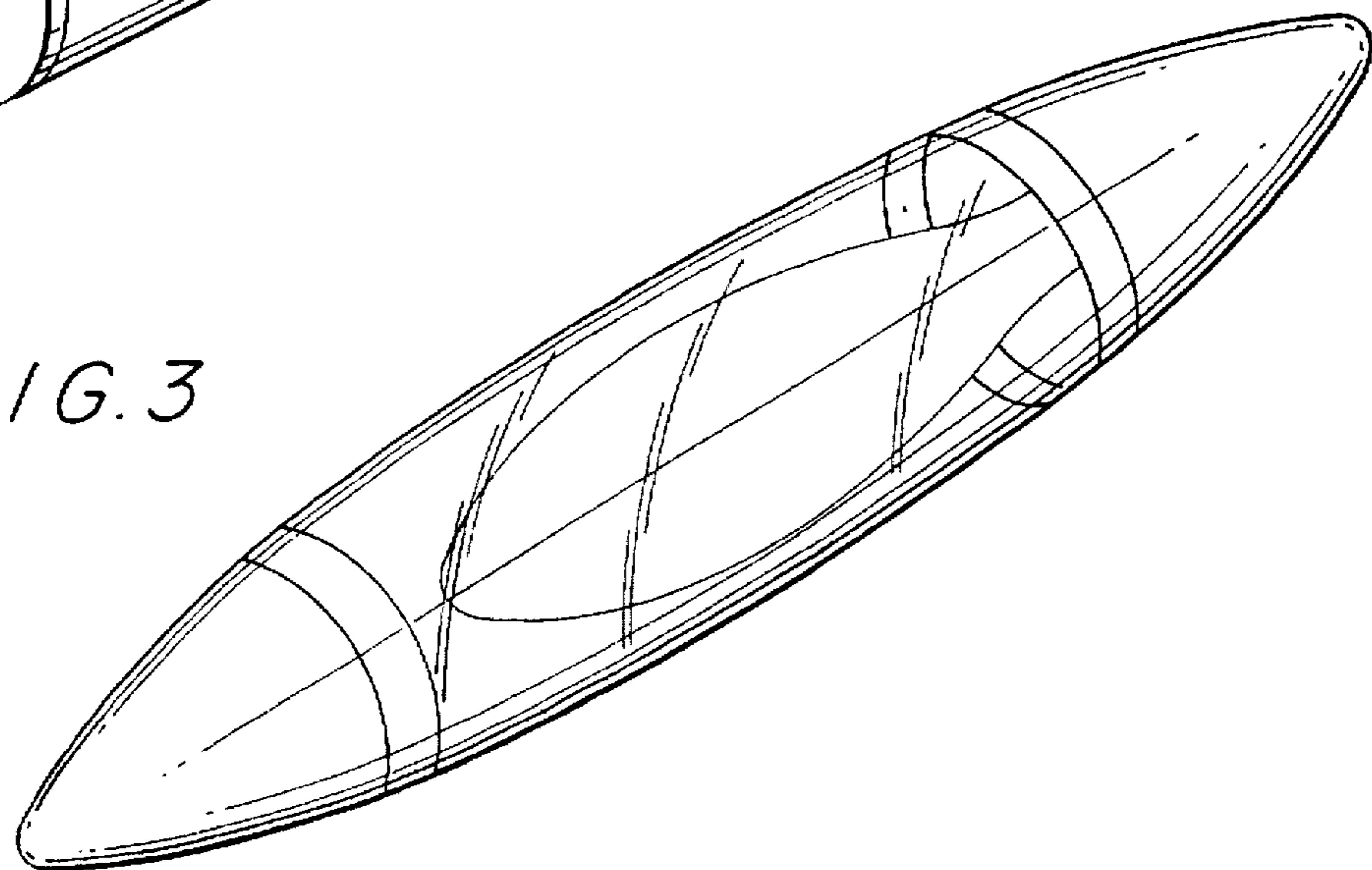


FIG. 3

FIG. 4

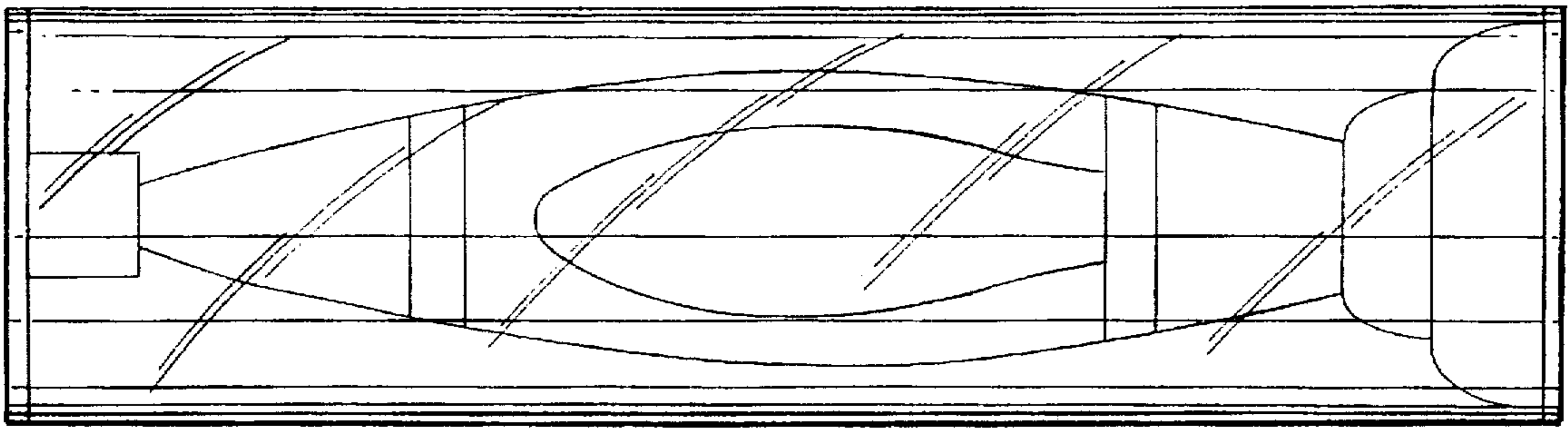


FIG. 5

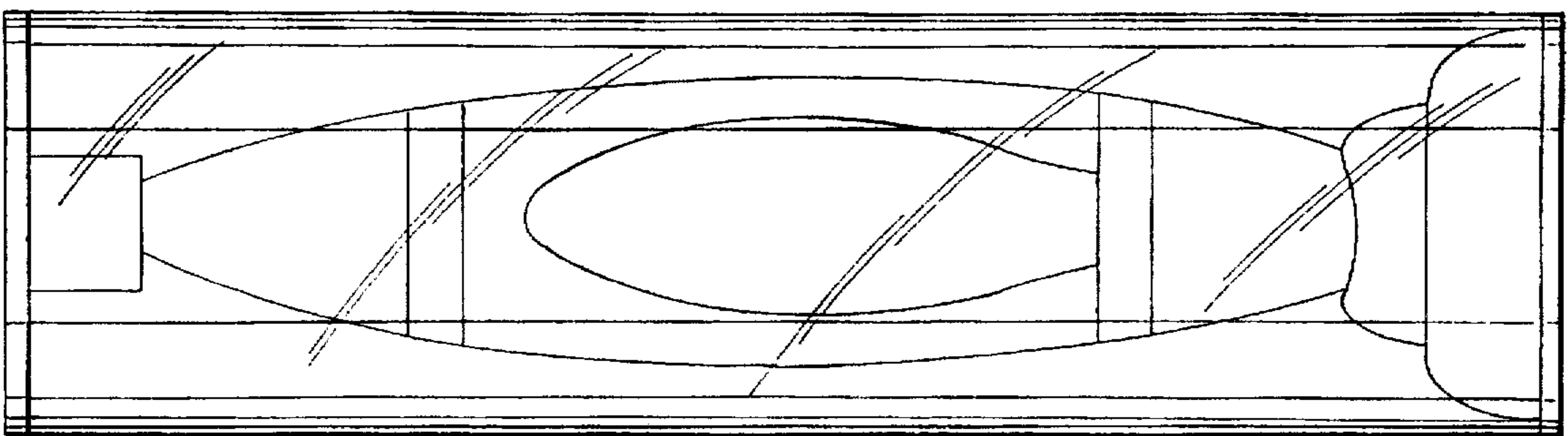


FIG. 6

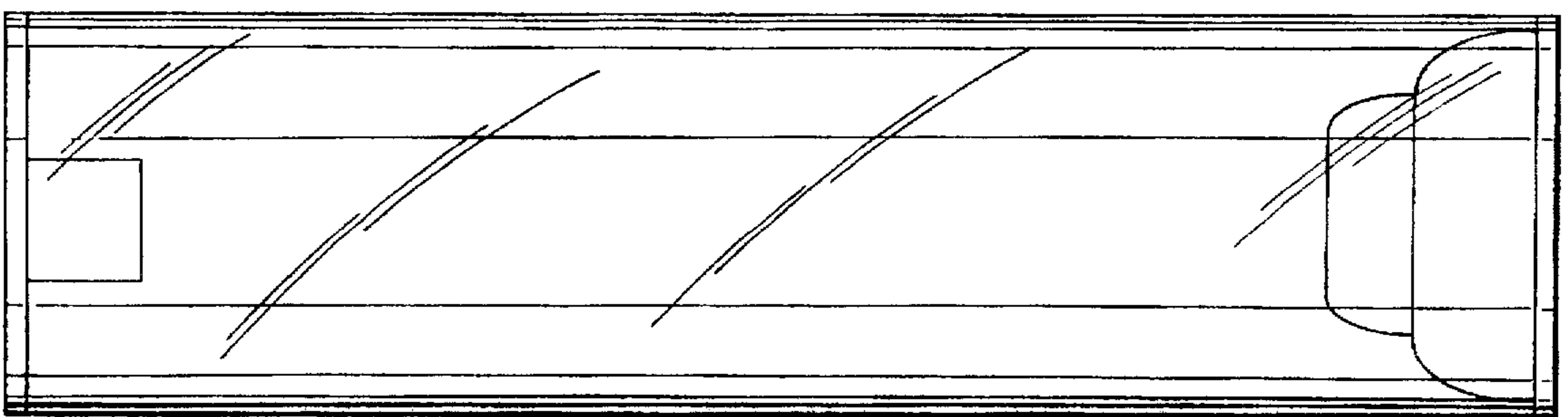


FIG. 7

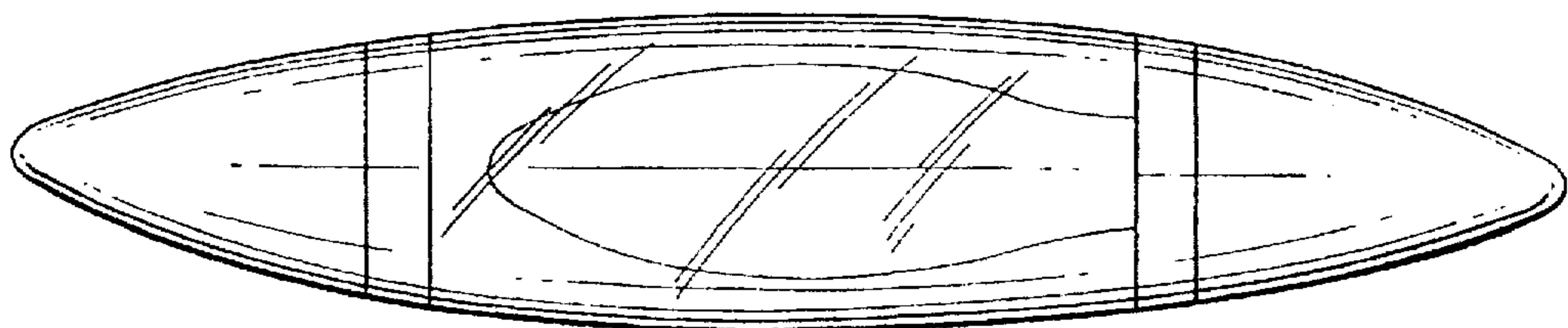


FIG. 8

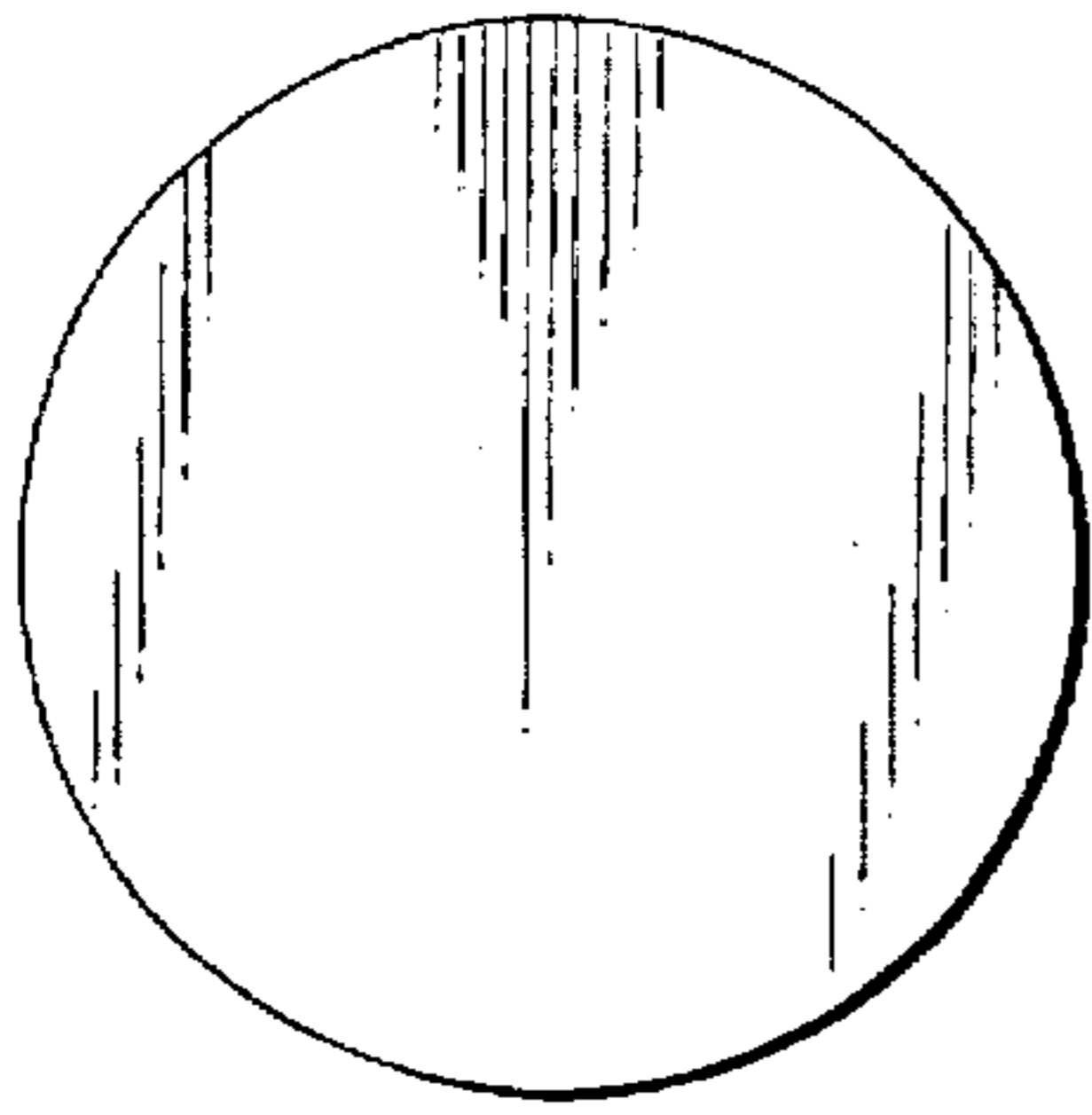


FIG. 9

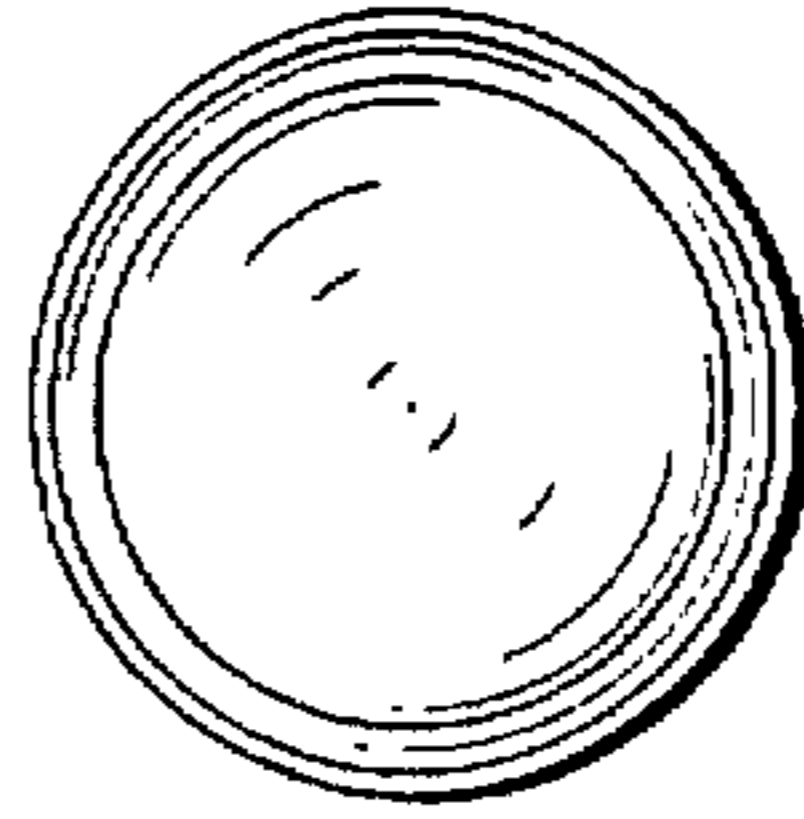


FIG. 10

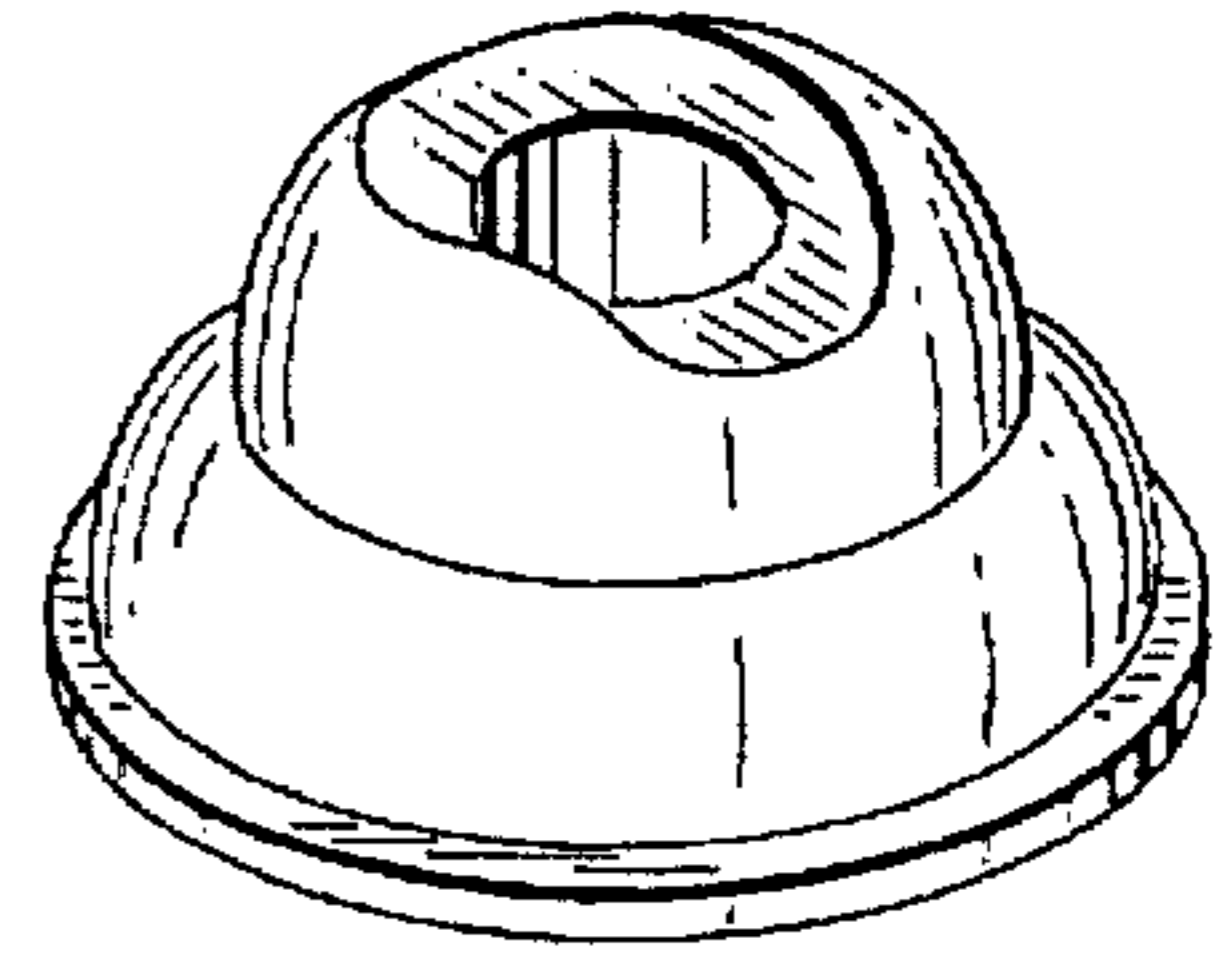


FIG. 11

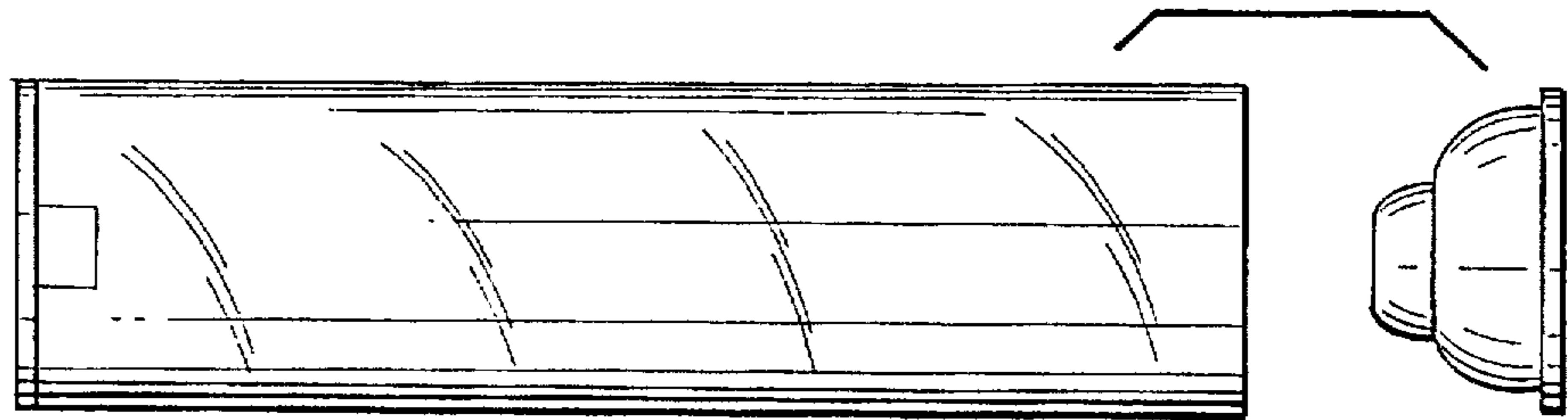


FIG. 12

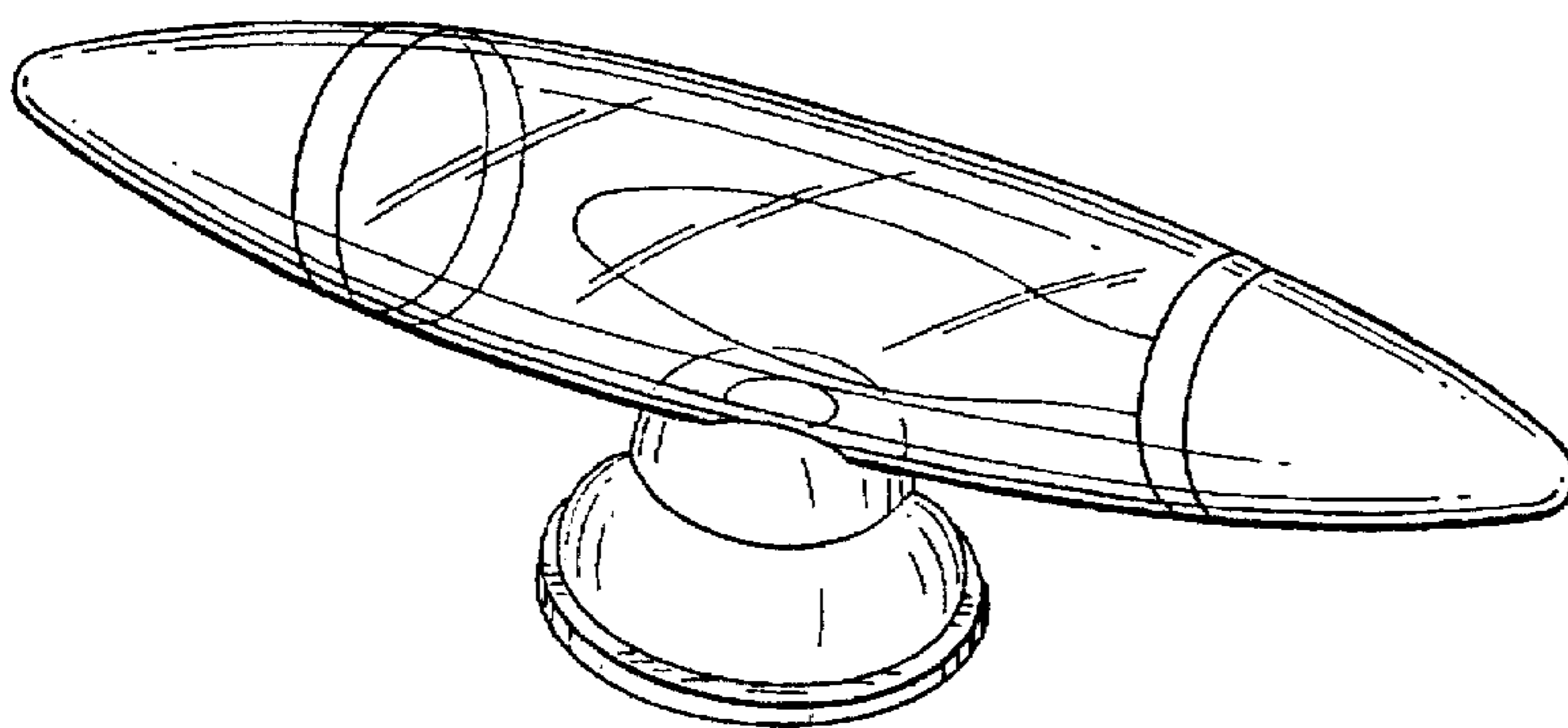


FIG. 13

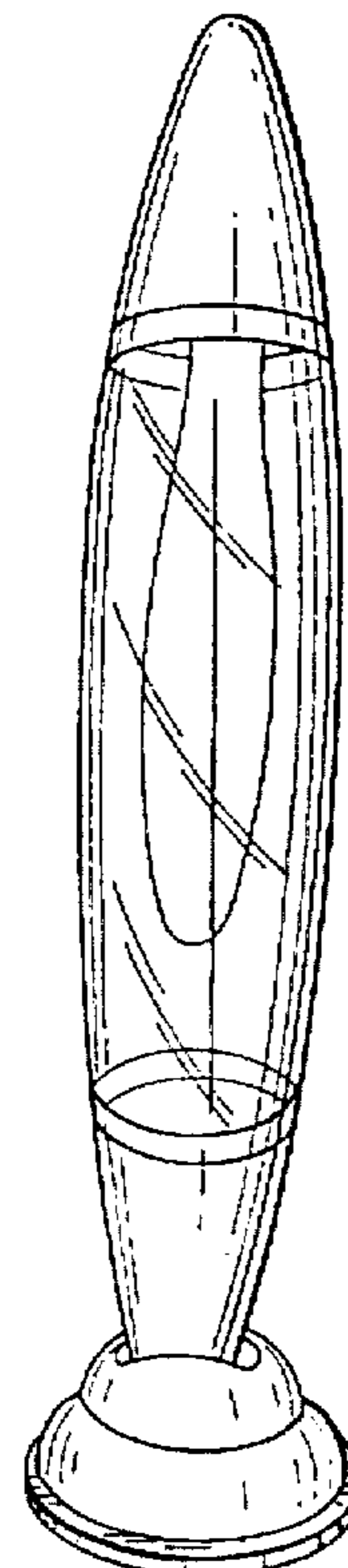


FIG. 14

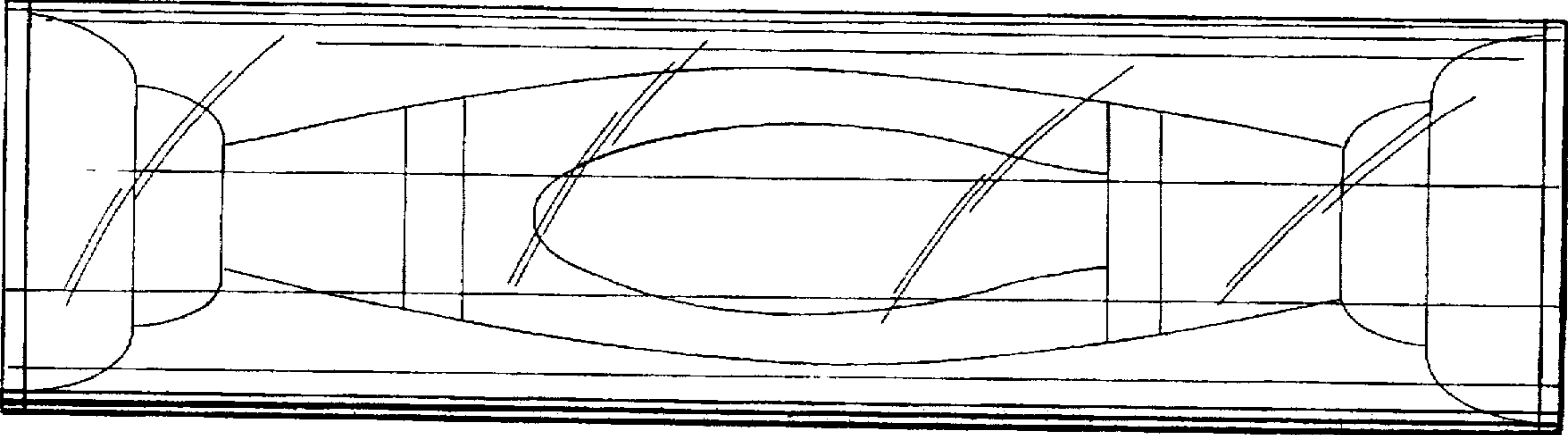


FIG. 15

