



US00D396629S

United States Patent [19] Huggins

[11] Patent Number: **Des. 396,629**

[45] Date of Patent: ****Aug. 4, 1998**

[54] **CARGO STRAP ROLLER**

[75] Inventor: **George M. Huggins**, Blanchard, Okla.

[73] Assignee: **Huggins, Inc.**, Blanchard, Okla.

[**] Term: **14 Years**

[21] Appl. No.: **77,103**

[22] Filed: **Sep. 23, 1997**

[51] LOC (6) Cl. **08-05**

[52] U.S. Cl. **D8/359**

[58] Field of Search **D8/359, 358; 244/155 R;
242/405.3, 395, 128-129**

[56] **References Cited**

U.S. PATENT DOCUMENTS

D. 251,356	3/1979	Bogaert	D8/358
D. 260,479	9/1981	Carey	D8/358 X
D. 385,477	10/1997	Tatkiewicz et al.	D8/359
2,572,417	10/1951	Wolk	242/405.3

*Primary Examiner—Holly Baynham
Attorney, Agent, or Firm—Dunlap & Coddling, P.C.*

[57] **CLAIM**

The ornamental design for a cargo strap roller, as shown and described.

DESCRIPTION

FIG. 1 is a perspective view of a cargo strap roller showing my new design with a portion of a supporting truck and a cargo strap shown in broken lines for illustrative purposes only and forming no part of my design;

FIG. 2 is a front elevational view thereof, the rear elevational view being a mirror image;

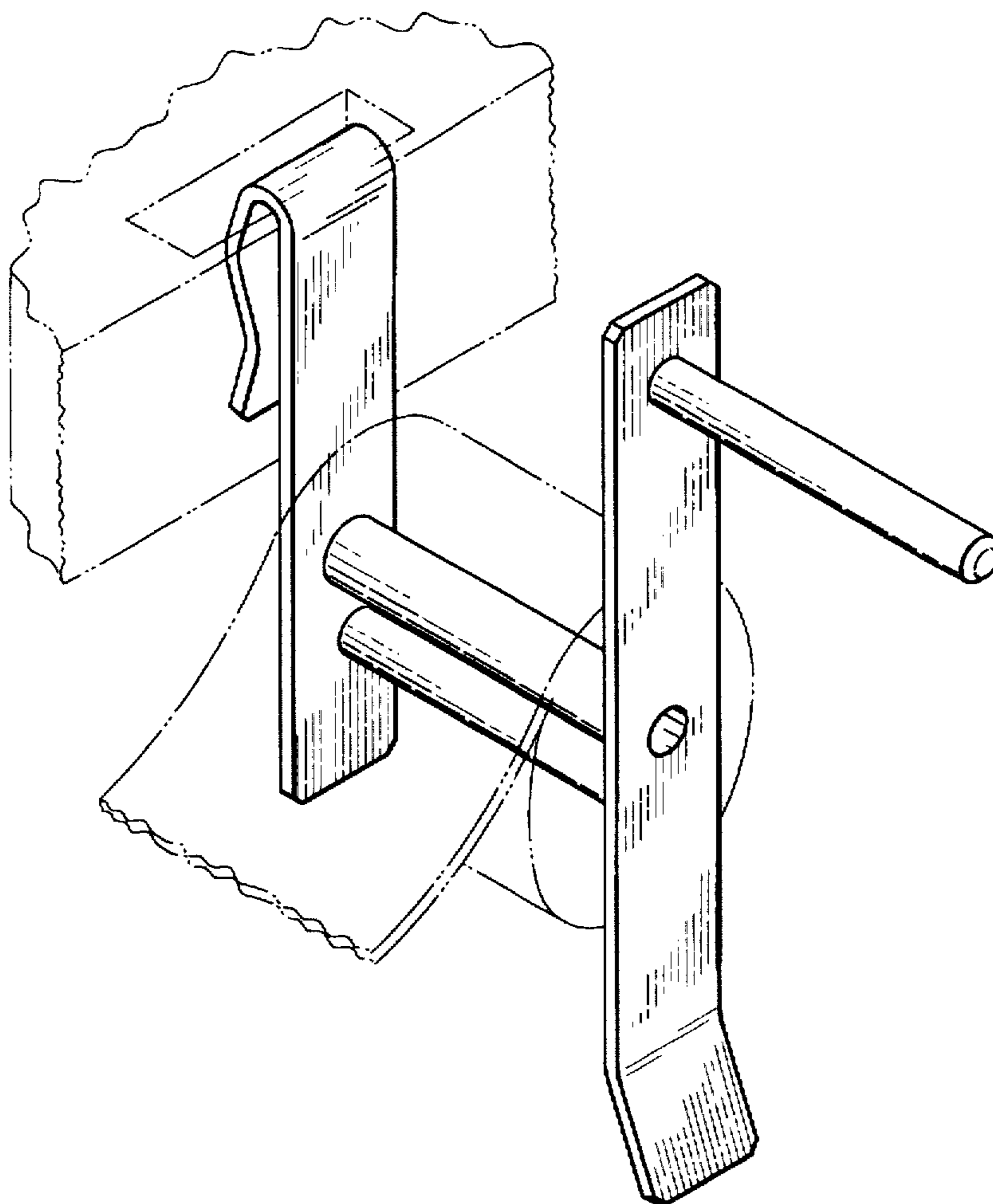
FIG. 3 is a side elevational view thereof;

FIG. 4 is a side elevational view thereof, opposite that shown in FIG. 3;

FIG. 5 is a top plan view thereof; and,

FIG. 6 is a bottom plan view thereof.

1 Claim, 2 Drawing Sheets



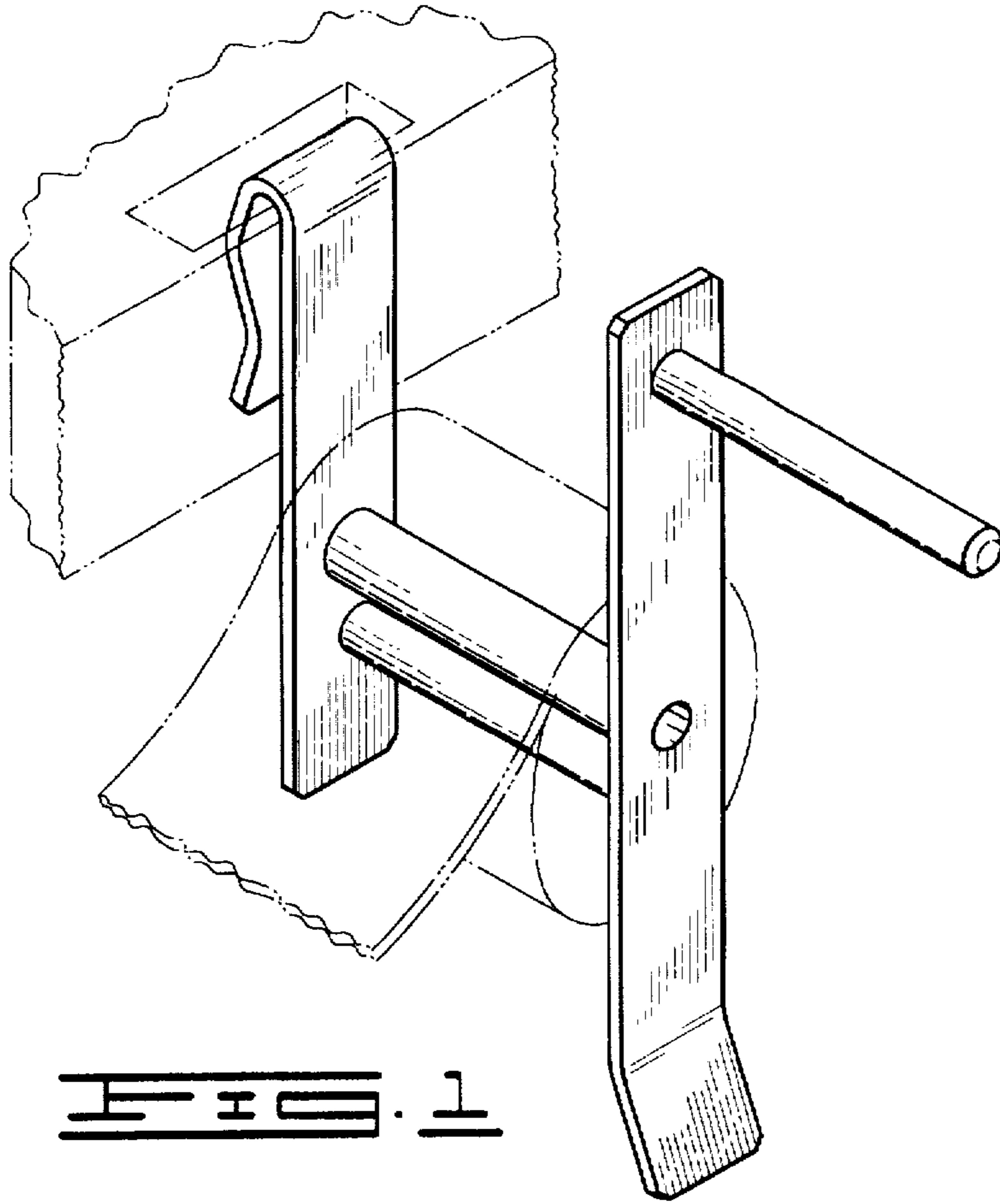


FIG. 1

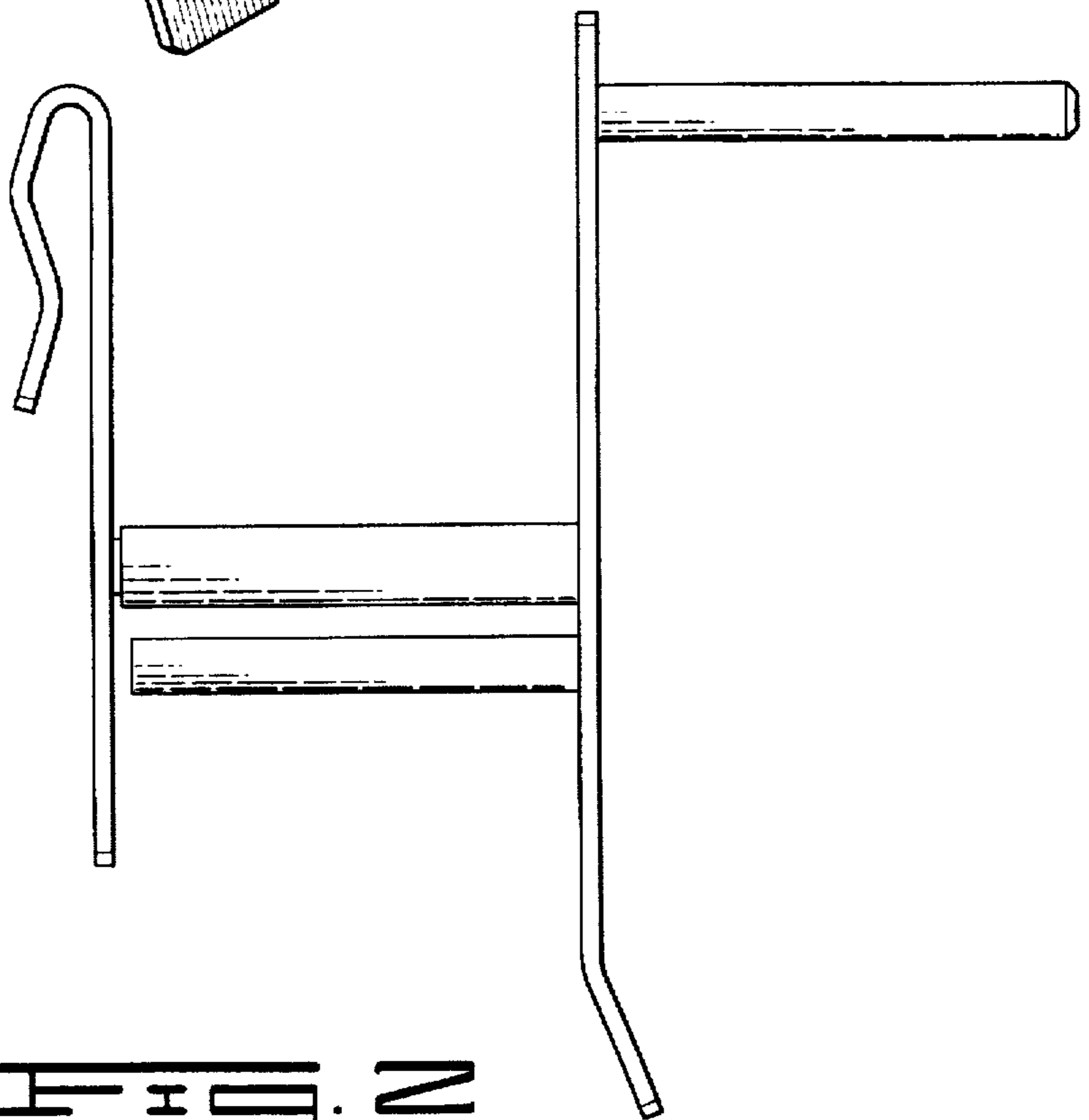


FIG. 2

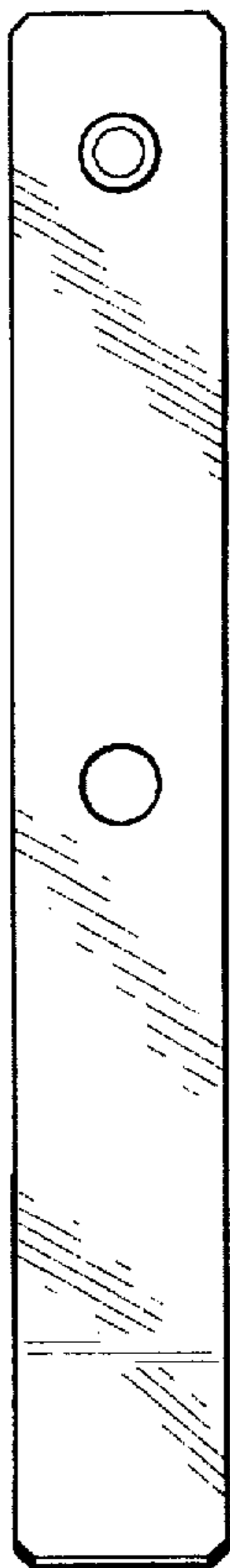


FIG. 3

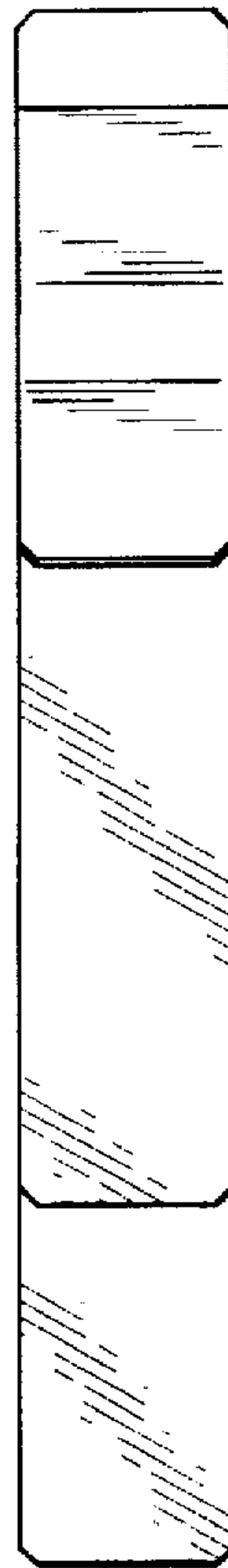


FIG. 4

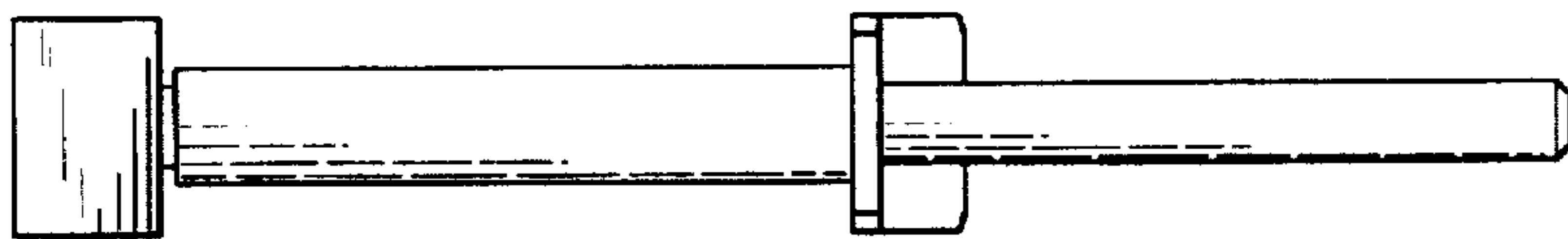


FIG. 5

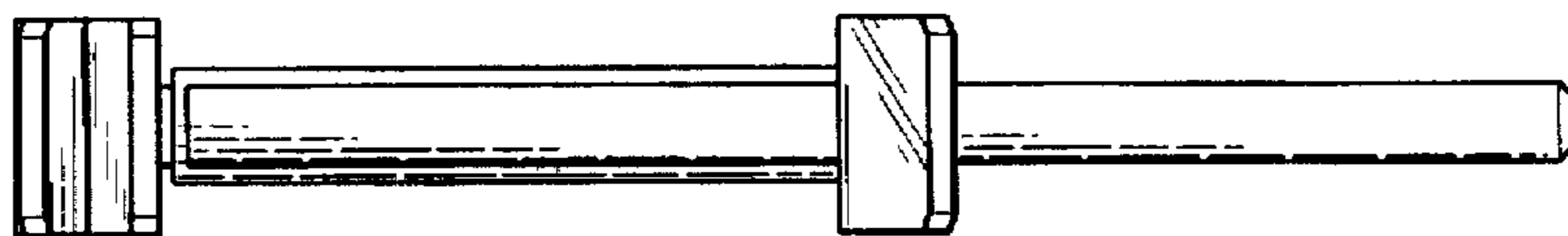


FIG. 6