



US00D396626S

**United States Patent** [19]  
**Francom**

[11] **Patent Number:** **Des. 396,626**  
[45] **Date of Patent:** **\*\*Aug. 4, 1998**

[54] **GATE HINGE**

[76] **Inventor:** **David L. Francom**, 1015 N. 2000  
West, Springville, Utah 84663

[\*\*] **Term:** **14 Years**

[21] **Appl. No.:** **66,705**

[22] **Filed:** **Feb. 19, 1997**

[51] **LOC (6) Cl.** ..... **08-06**

[52] **U.S. Cl.** ..... **D8/323; D8/330**

[58] **Field of Search** ..... **D8/323, 327, 330;**  
**16/319, 338, 307, 72, 76; 49/386, 381**

[56] **References Cited**

**U.S. PATENT DOCUMENTS**

D. 195,827	8/1963	Melcher	.....	D8/330
D. 204,872	5/1966	Davis	.....	D8/323
D. 212,424	10/1968	Jackson, Jr.	.....	D8/330
1,788,060	1/1931	Kuchauskas	.	
3,411,241	11/1968	Harmon	.	

5,199,218 4/1993 McQuade .  
5,356,095 10/1994 Aker .  
5,383,253 1/1995 Lin .

*Primary Examiner*—B. J. Bullock  
*Attorney, Agent, or Firm*—Thorpe, North & Western, LLP

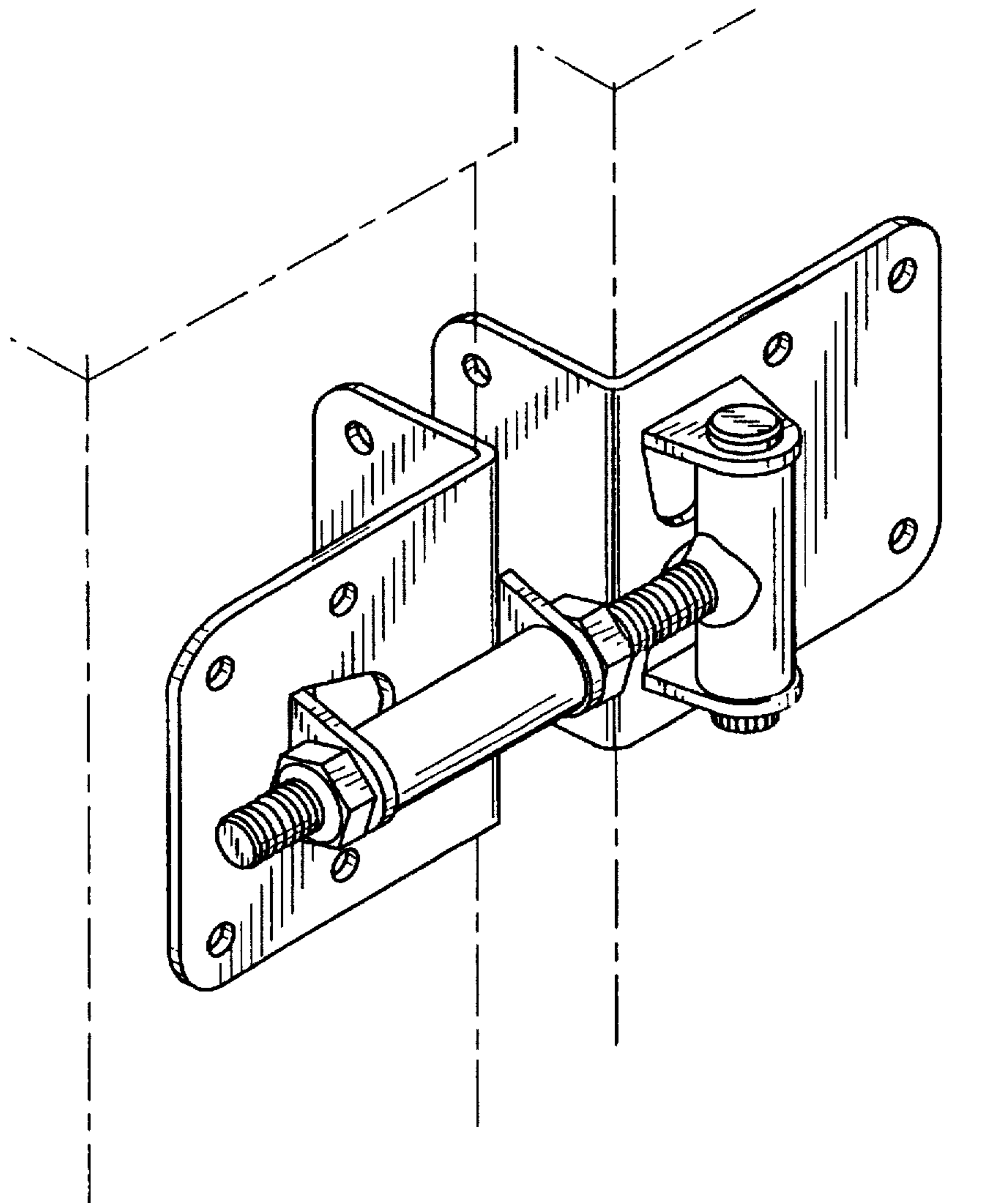
[57] **CLAIM**

The ornamental design for a gate hinge, as shown and described.

**DESCRIPTION**

FIG. 1 is a perspective view of a gate hinge, the broken lines being shown for illustrative purposes only and forming no part of the claimed design;  
FIG. 2 is an end view thereof;  
FIG. 3 is an opposite end view thereof;  
FIG. 4 is a top view thereof, the bottom being a mirror image;  
FIG. 5 is a front view thereof; and,  
FIG. 6 is a rear view thereof.

**1 Claim, 2 Drawing Sheets**



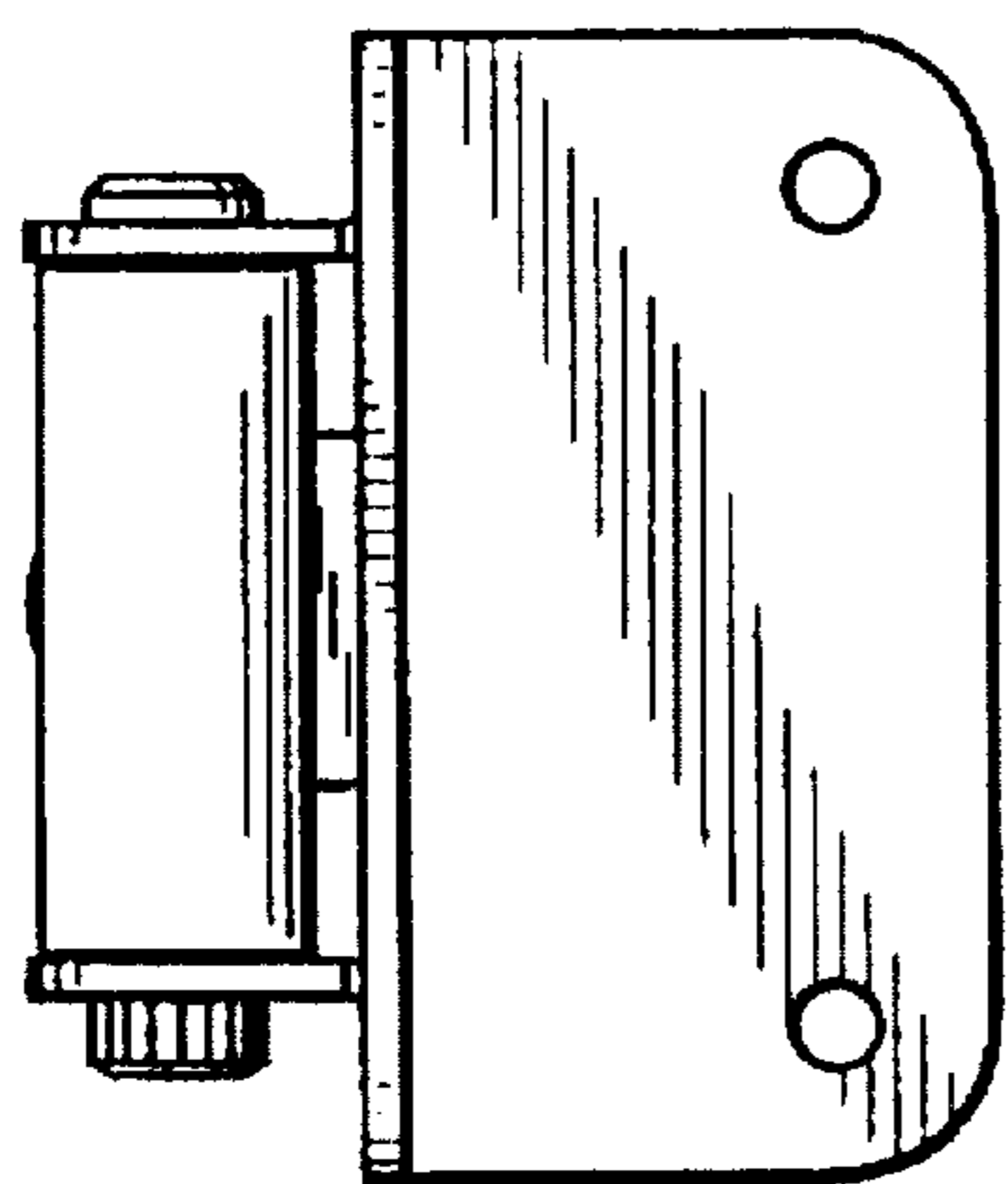
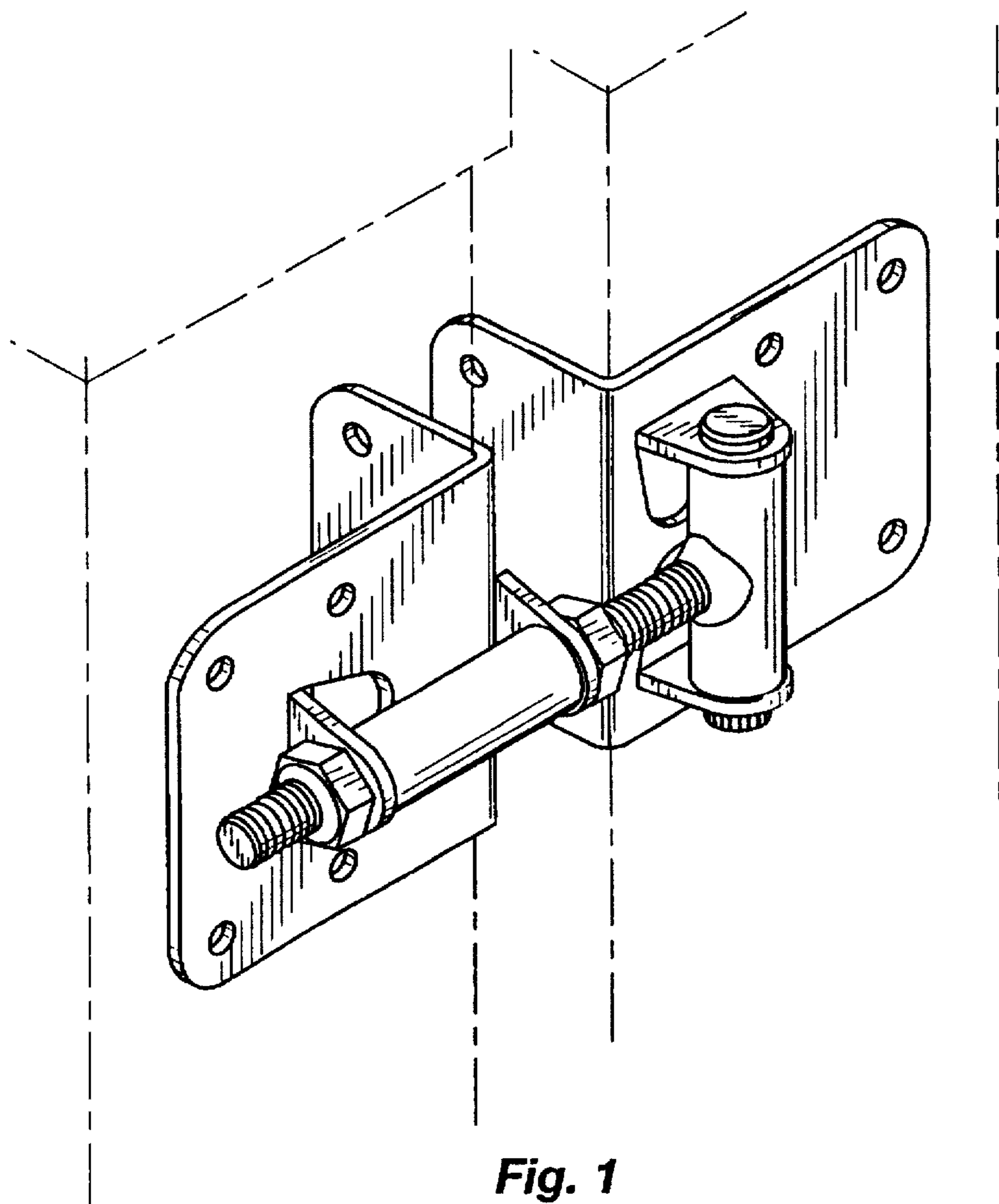


Fig. 2

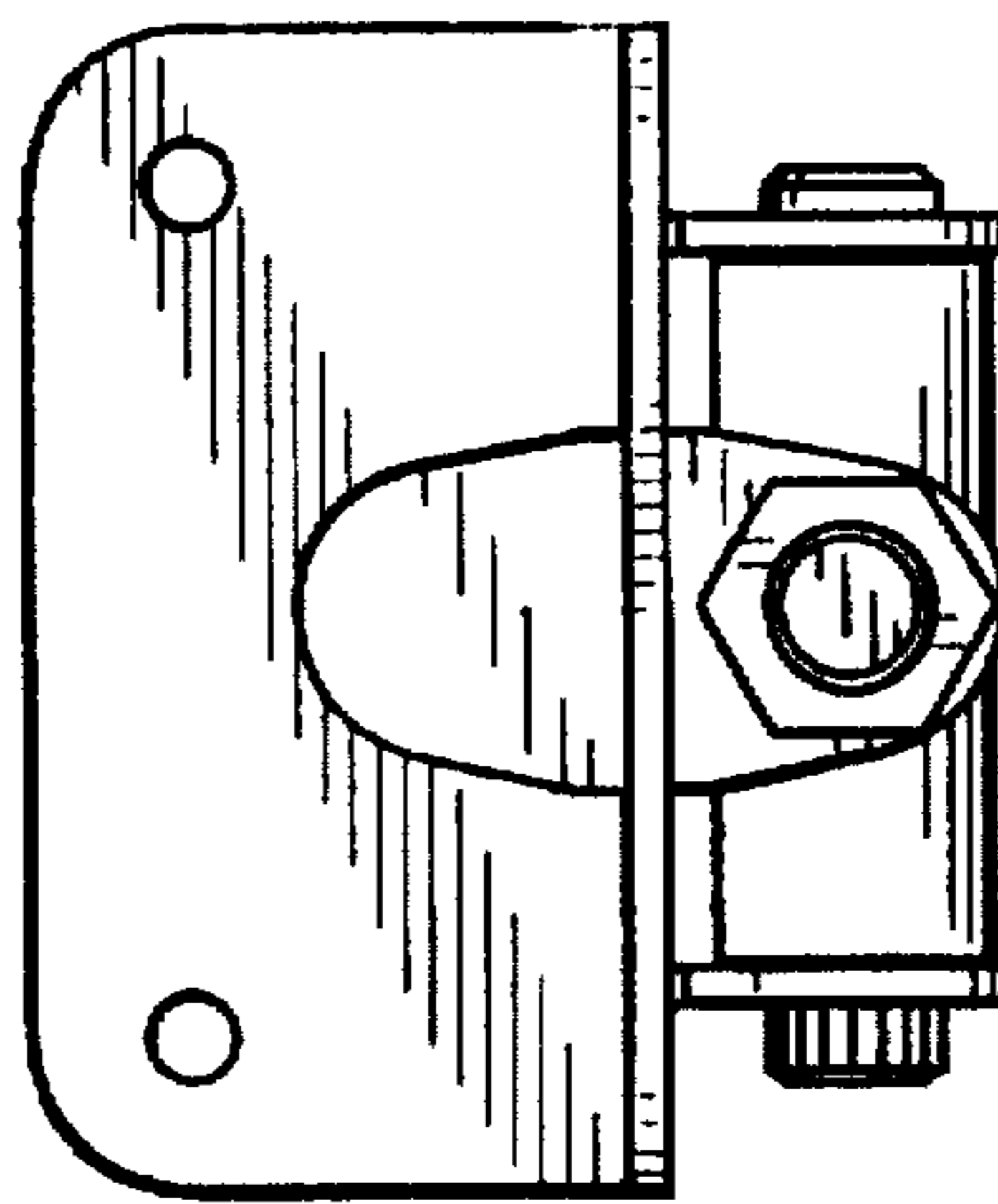
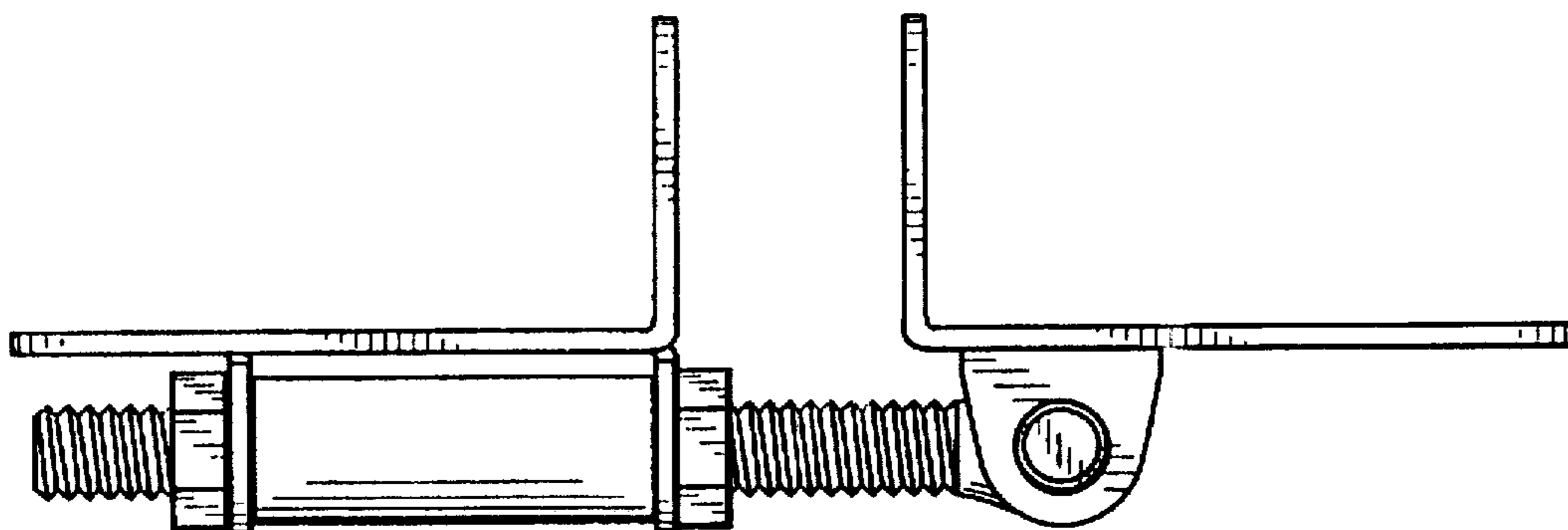
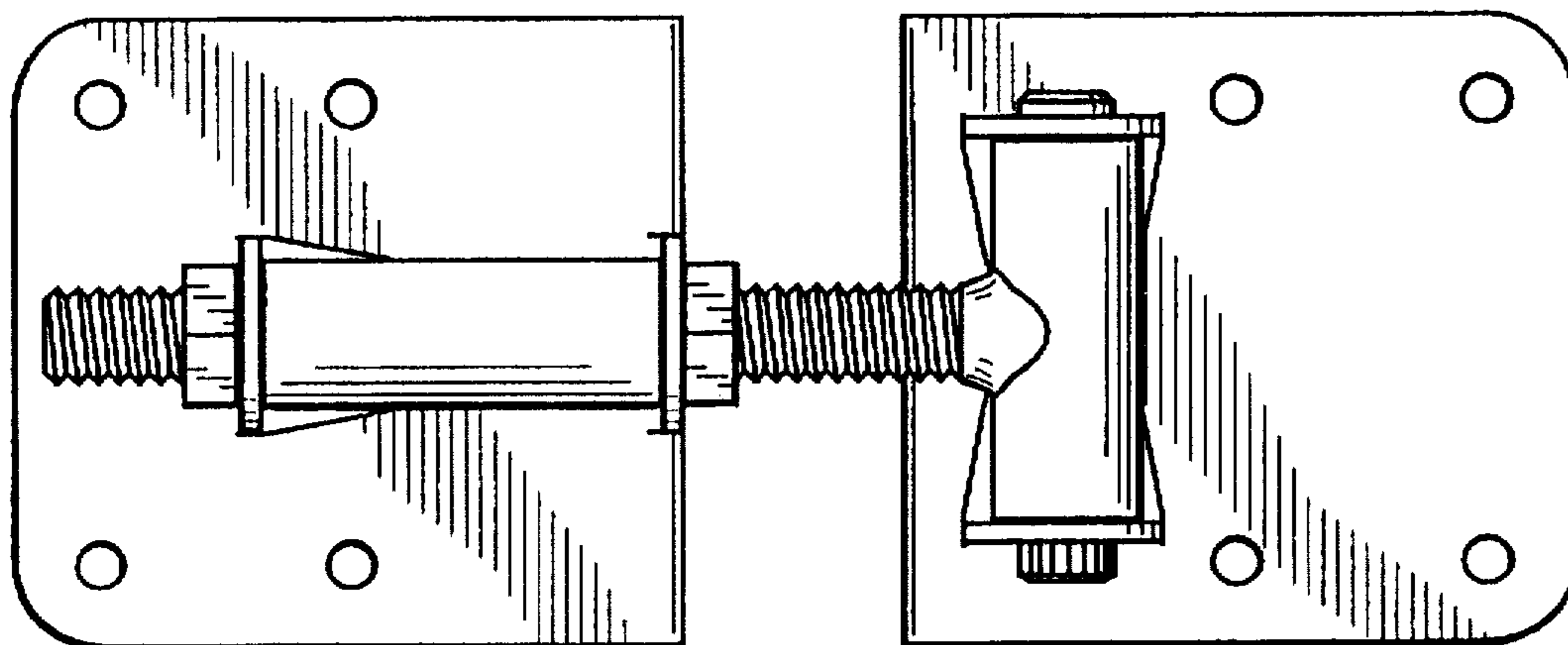


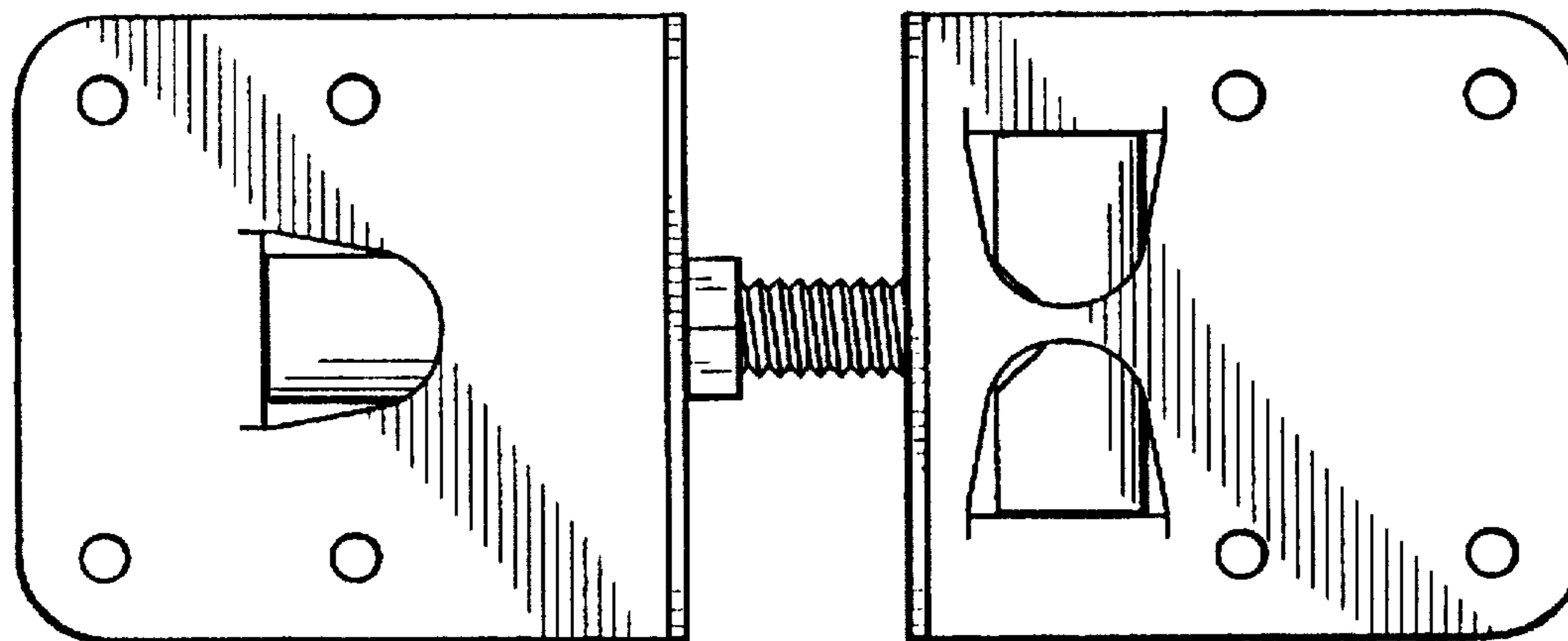
Fig. 3



**Fig. 4**



**Fig. 5**



**Fig. 6**