



US00D396625S

United States Patent [19]

Vasudeva

[11] Patent Number: **Des. 396,625**

[45] Date of Patent: ****Aug. 4, 1998**

[54] **TOOL HANDLE**

[75] Inventor: **Kailash C. Vasudeva**, Waterloo, Canada

[73] Assignee: **Maxtech, Inc.**, Roseville, Mich.

[**] Term: **14 Years**

[21] Appl. No.: **74,337**

[22] Filed: **Jul. 30, 1997**

[51] LOC (6) Cl. **08-04**

[52] U.S. Cl. **D8/107; D8/83**

[58] Field of Search D8/107, 14, 82, D8/83, 85, 87, DIG. 7; 81/436, 439, 440, 489, 177.1, 58; 16/110 R, 116 R, DIG. 19; 279/104

[56] **References Cited**

U.S. PATENT DOCUMENTS

D. 22,633	7/1893	Hutchinson	D8/83
D. 303,920	10/1989	Kandel	D8/107 X
D. 313,158	12/1990	Cecil et al.	D8/107
D. 329,367	9/1992	Landy	D8/83
D. 341,172	11/1993	Olsen	D8/82
D. 375,669	11/1996	Shiao	D8/83
470,001	3/1892	Howard	81/58
1,049,650	1/1913	Benjamin	81/436
4,951,533	8/1990	Hillinger	81/177.1

Primary Examiner—Martie Thompson

Attorney, Agent, or Firm—R. Craig Armstrong

[57] **CLAIM**

The ornamental design for tool handle, as shown and described.

DESCRIPTION

FIG. 1 is a perspective view of the preferred embodiment of the invention;

FIG. 2 is a left side view of the preferred embodiment of the invention;

FIG. 3 is a right side view of the preferred embodiment of the invention;

FIG. 4 is a top view of the preferred embodiment of the invention, the bottom view being identical;

FIG. 5 is a front view of the preferred embodiment of the invention;

FIG. 6 is a rear view of the preferred embodiment of the invention;

FIG. 7 is a perspective view of a first alternative embodiment of the invention;

FIG. 8 is a left side view of a first alternative embodiment of the invention;

FIG. 9 is a right side view of a first alternative embodiment of the invention;

FIG. 10 is a top view of a first alternative embodiment of the invention, the bottom view being identical;

FIG. 11 is a front view of a first alternative embodiment of the invention;

FIG. 12 is a rear view of a first alternative embodiment of the invention;

FIG. 13 is a perspective view of a second alternative embodiment of the invention;

FIG. 14 is a left side view of a second alternative embodiment of the invention;

FIG. 15 is a right side view of a second alternative embodiment of the invention;

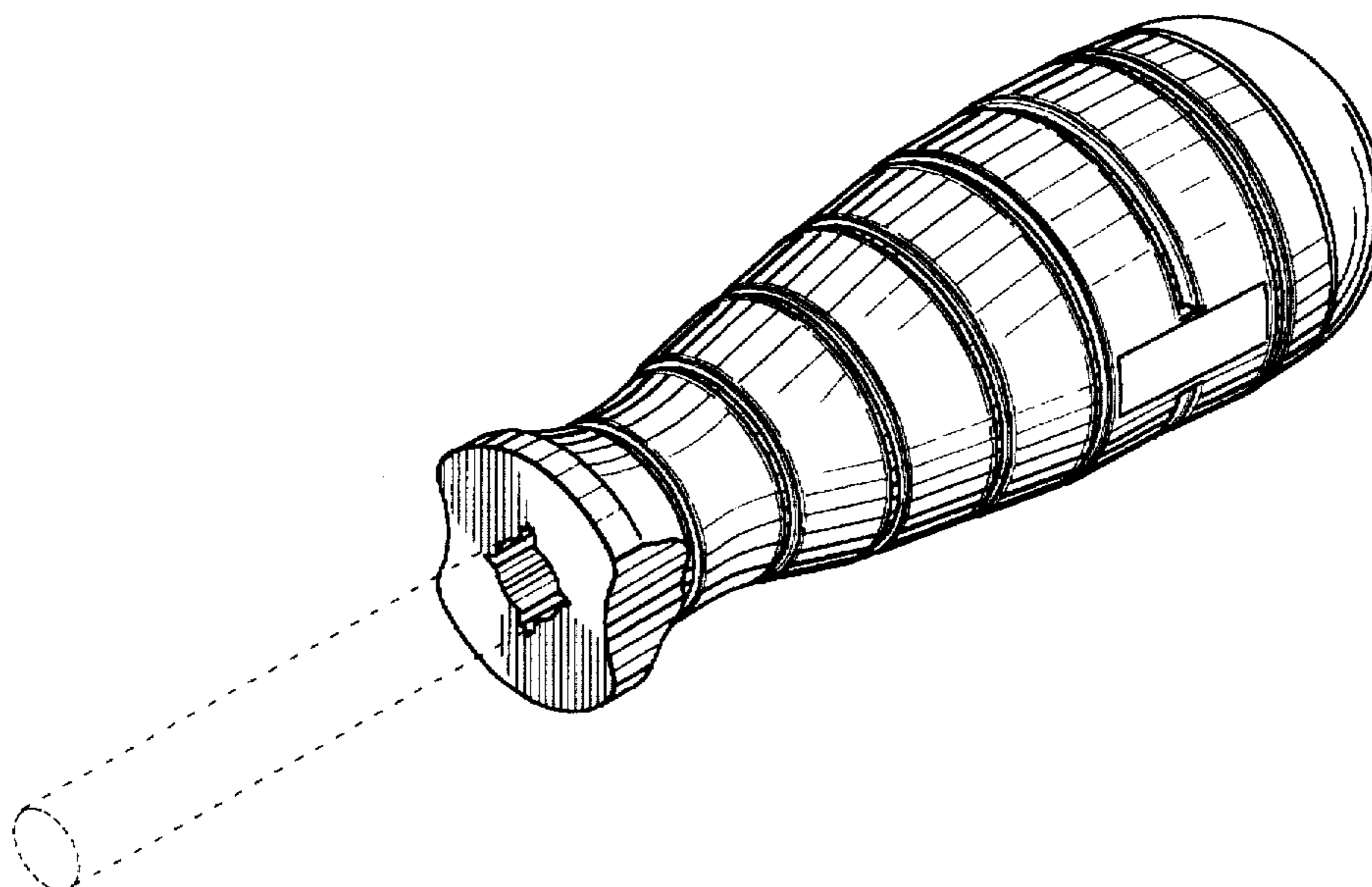
FIG. 16 is a top view of a second alternative embodiment of the invention, the bottom view being identical;

FIG. 17 is a front view of a second alternative embodiment of the invention; and,

FIG. 18 is a rear view of a second alternative embodiment of the invention.

The tool shaft depicted by means of broken lines in FIGS. 1 through 4, FIGS. 7 through 10 and FIGS. 13 through 16 has been shown for illustrative purposes only and forms no part of the claimed design.

1 Claim, 6 Drawing Sheets



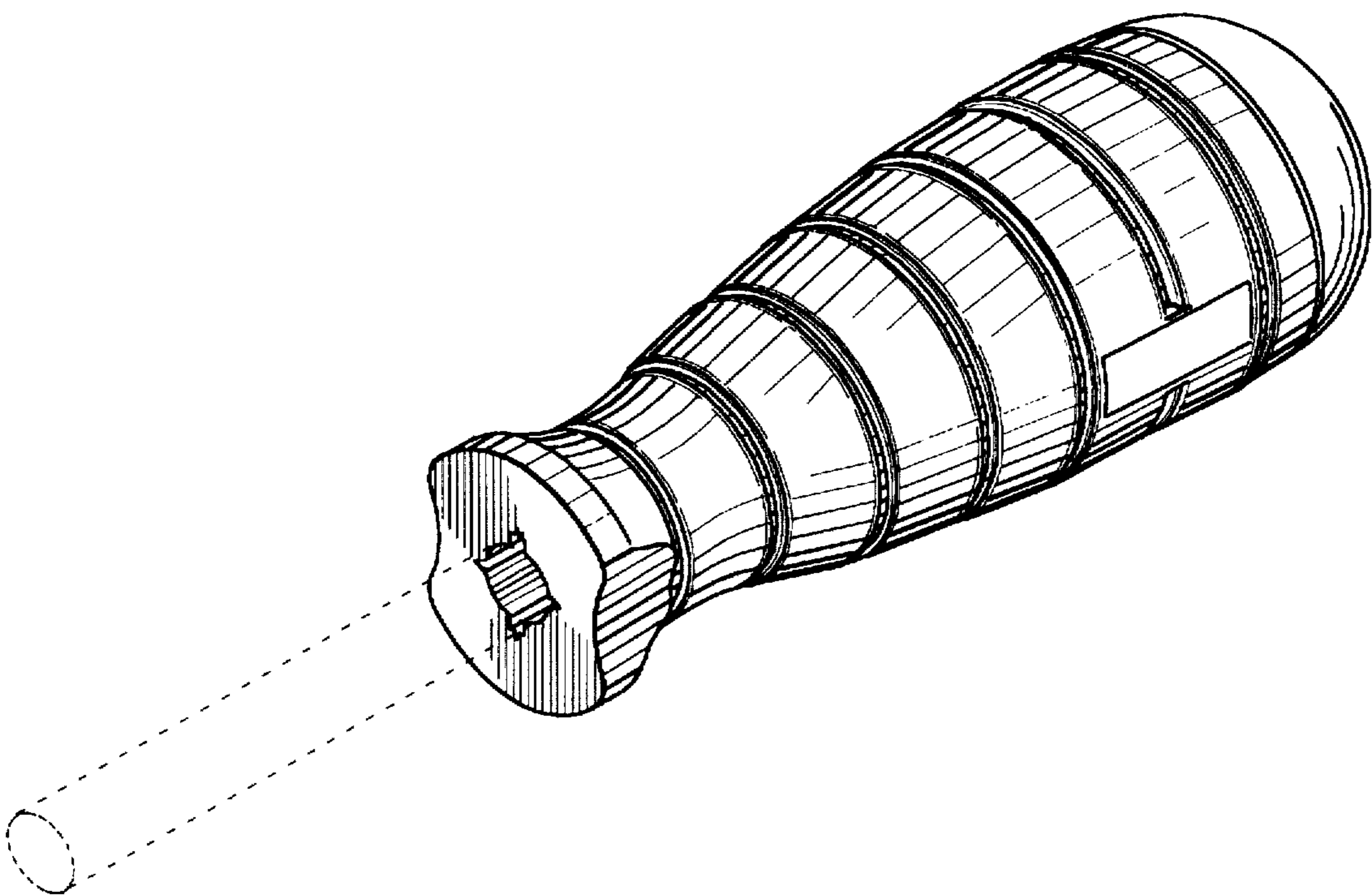


FIG. 1

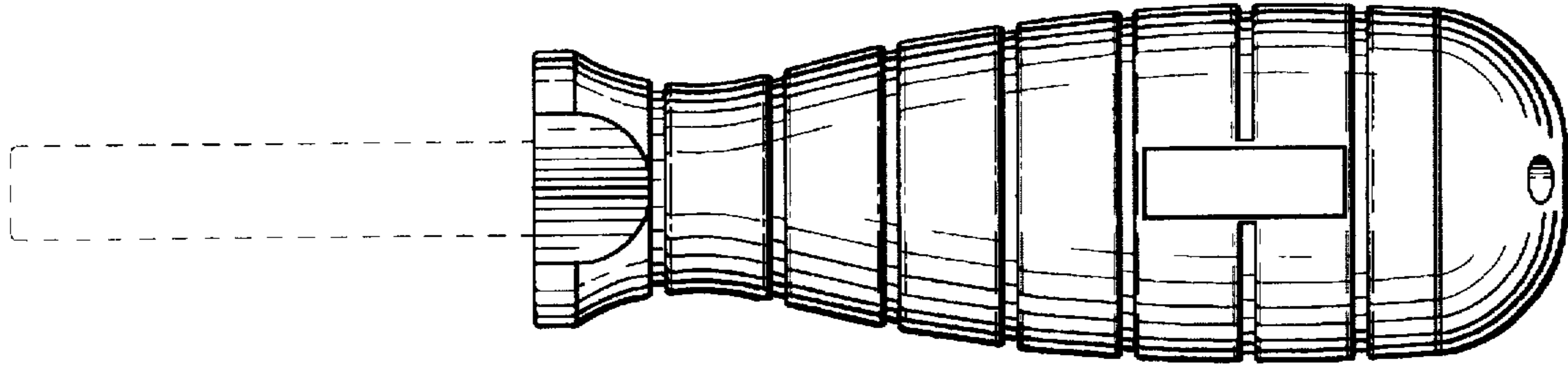


FIG. 2

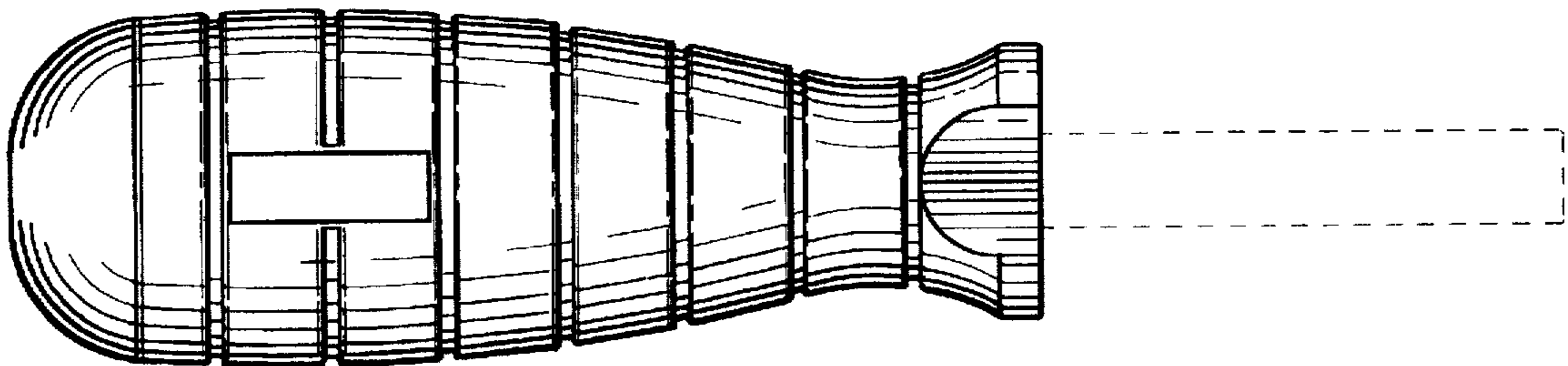


FIG. 3

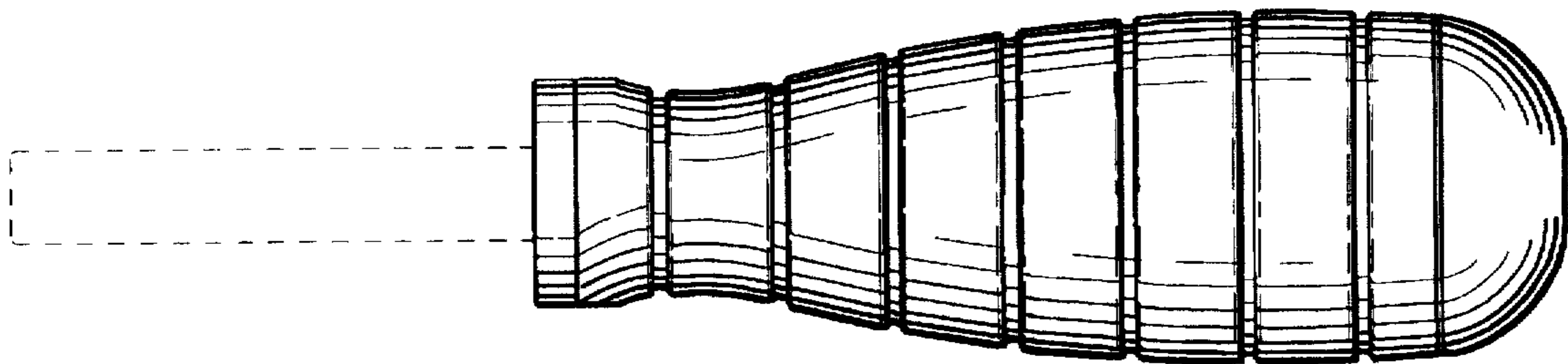


FIG. 4

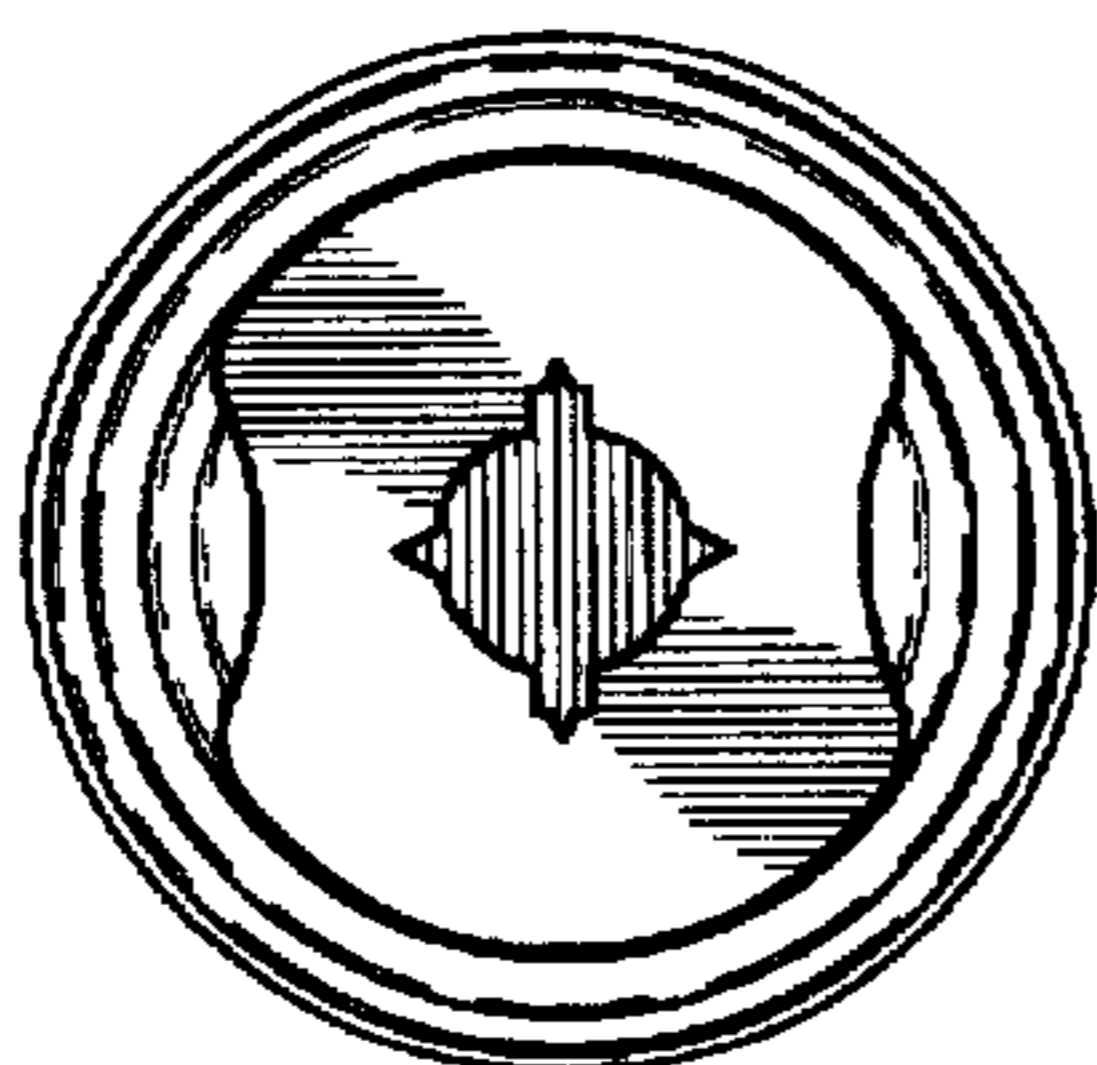


FIG. 5

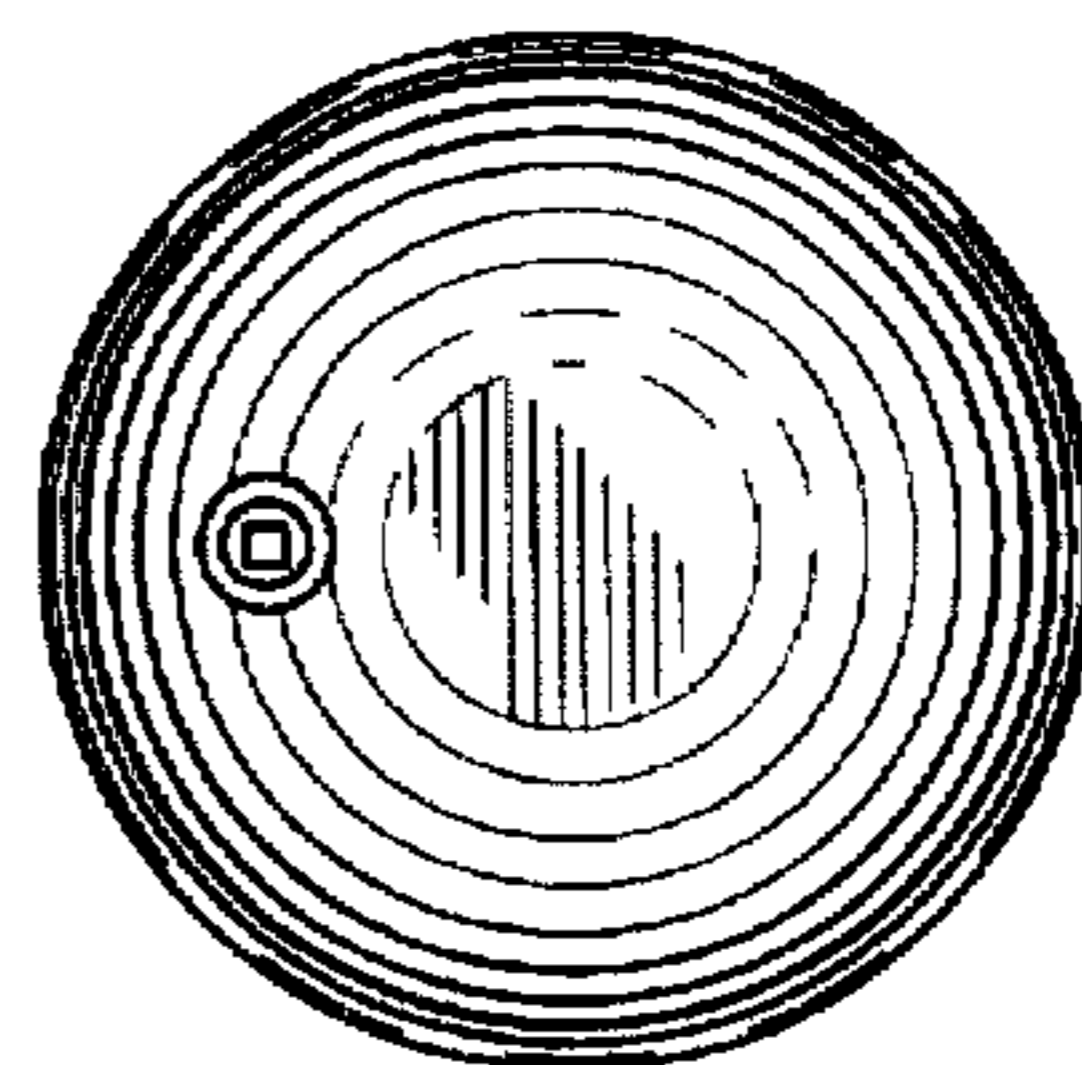


FIG. 6

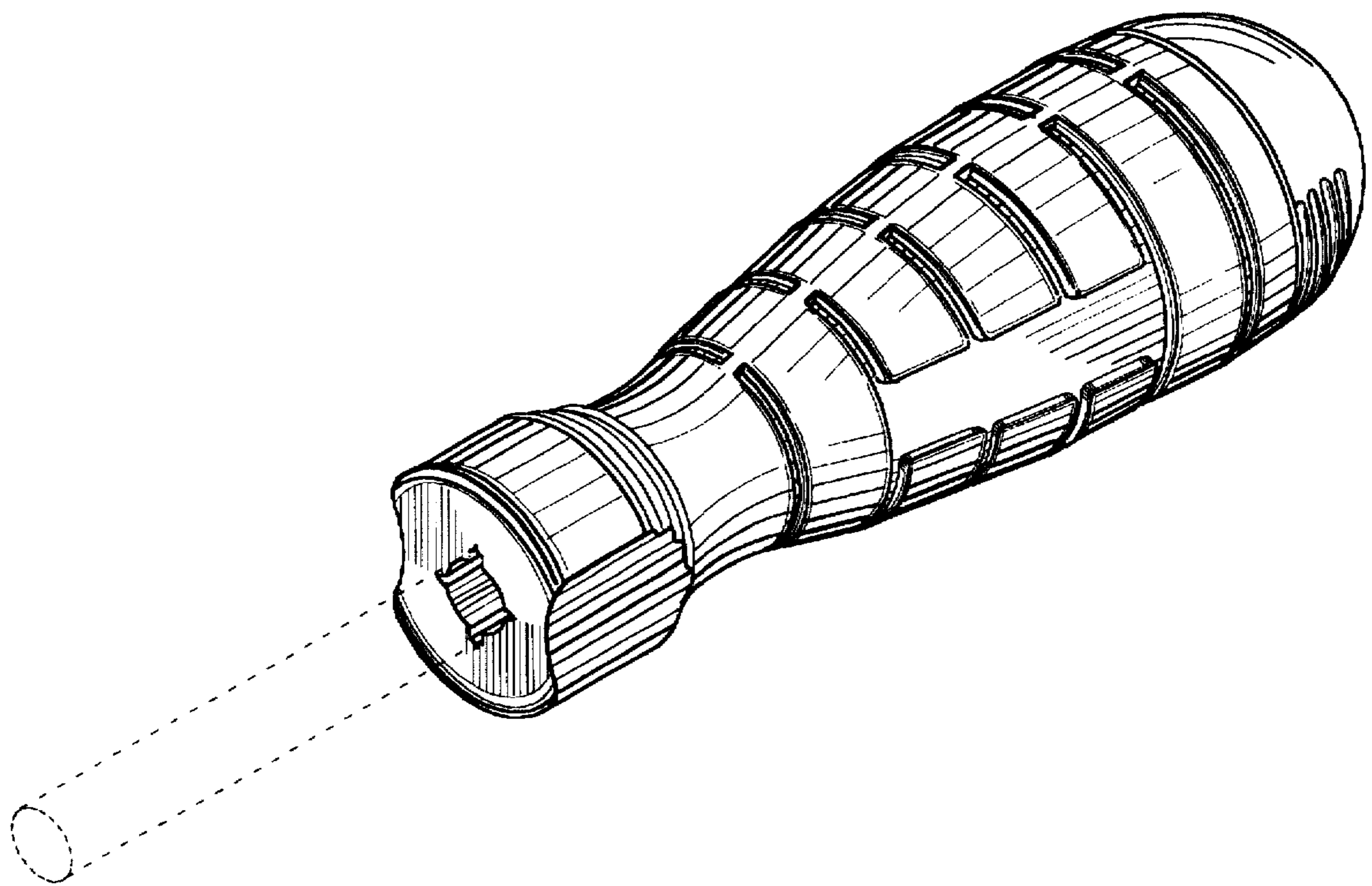


FIG.7

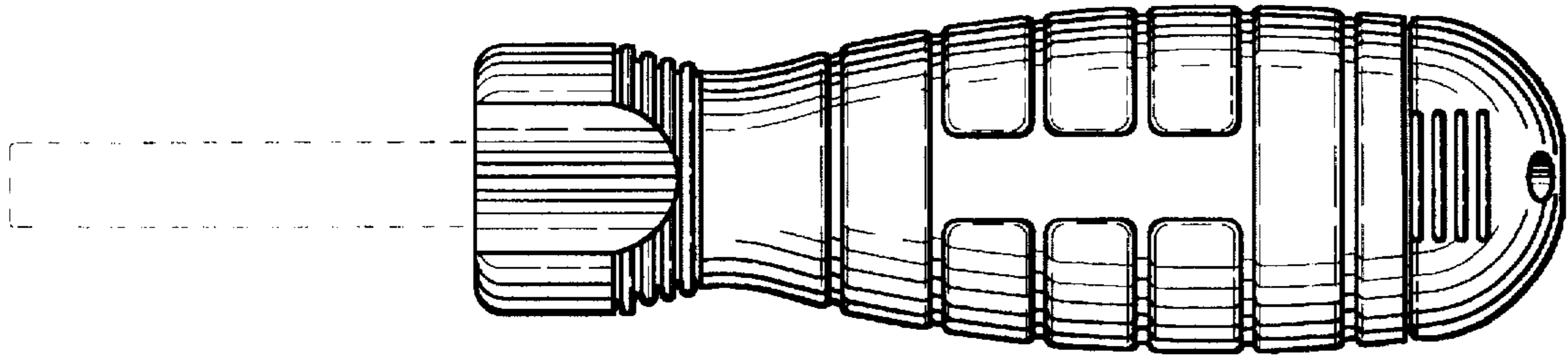


FIG. 8

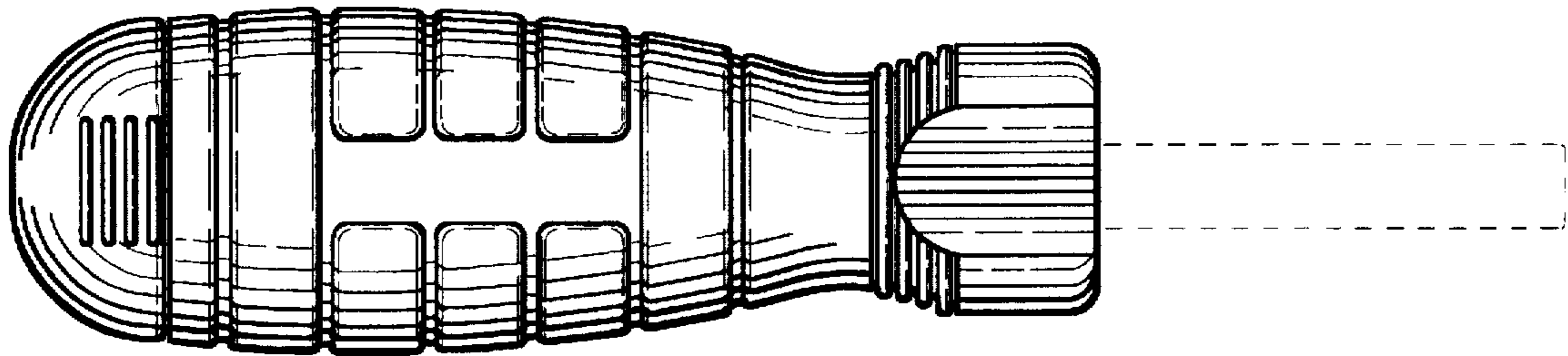


FIG. 9

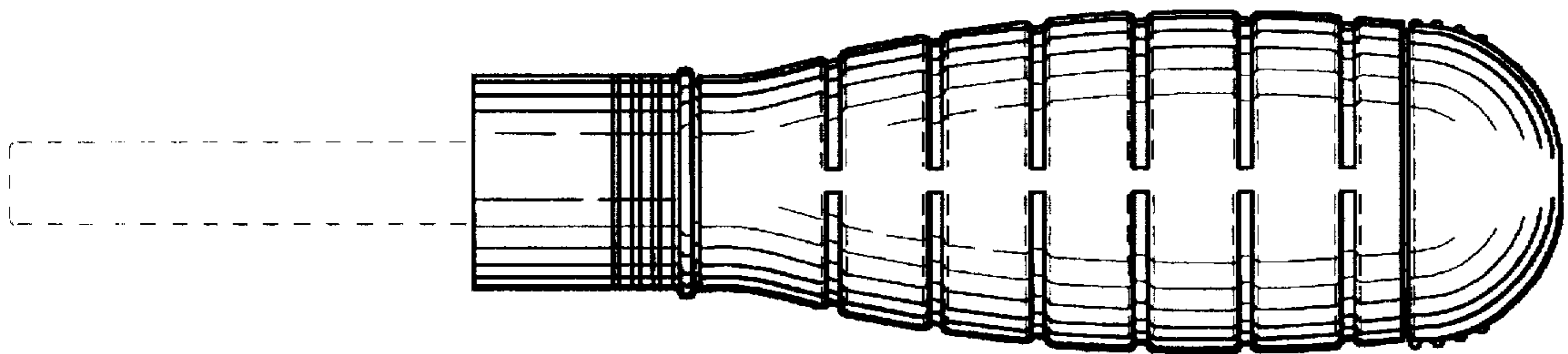


FIG. 10

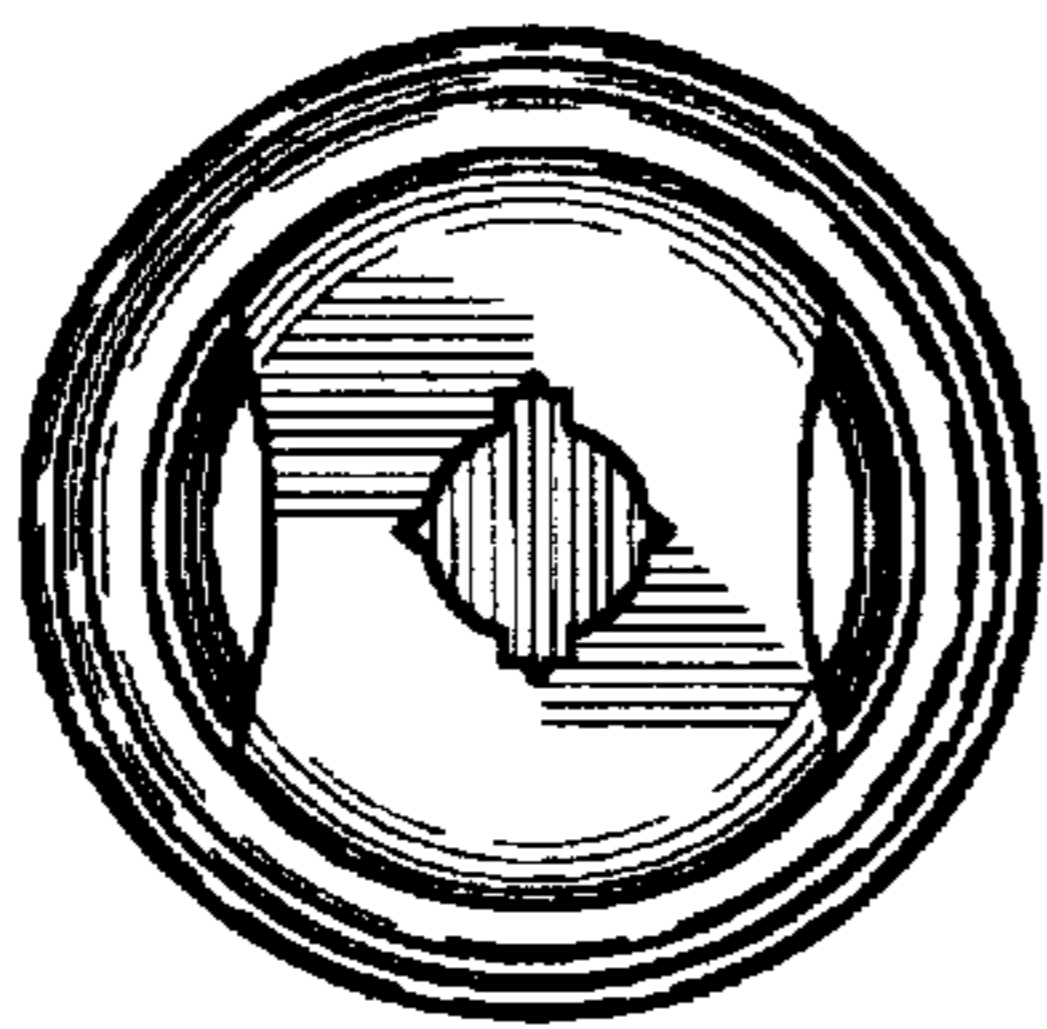


FIG. 11

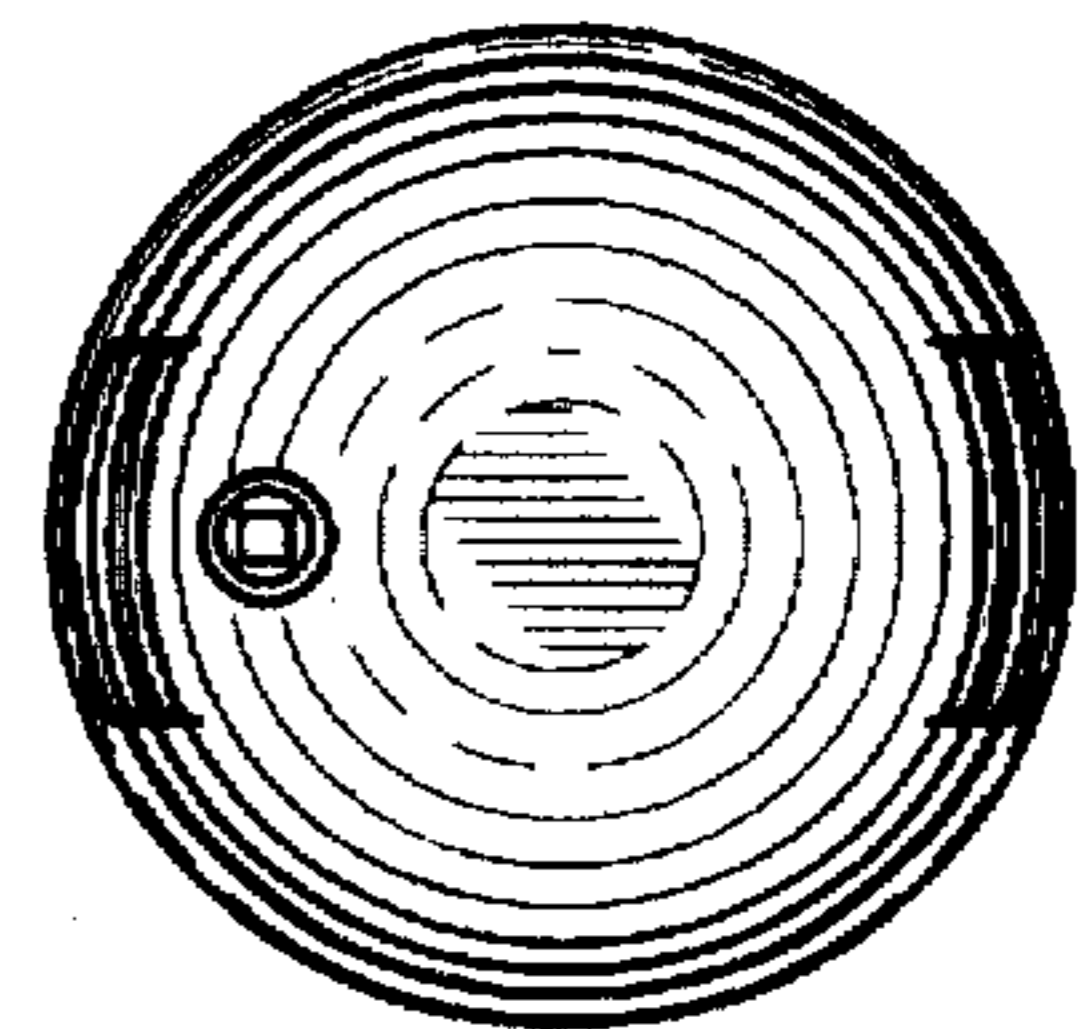


FIG. 12

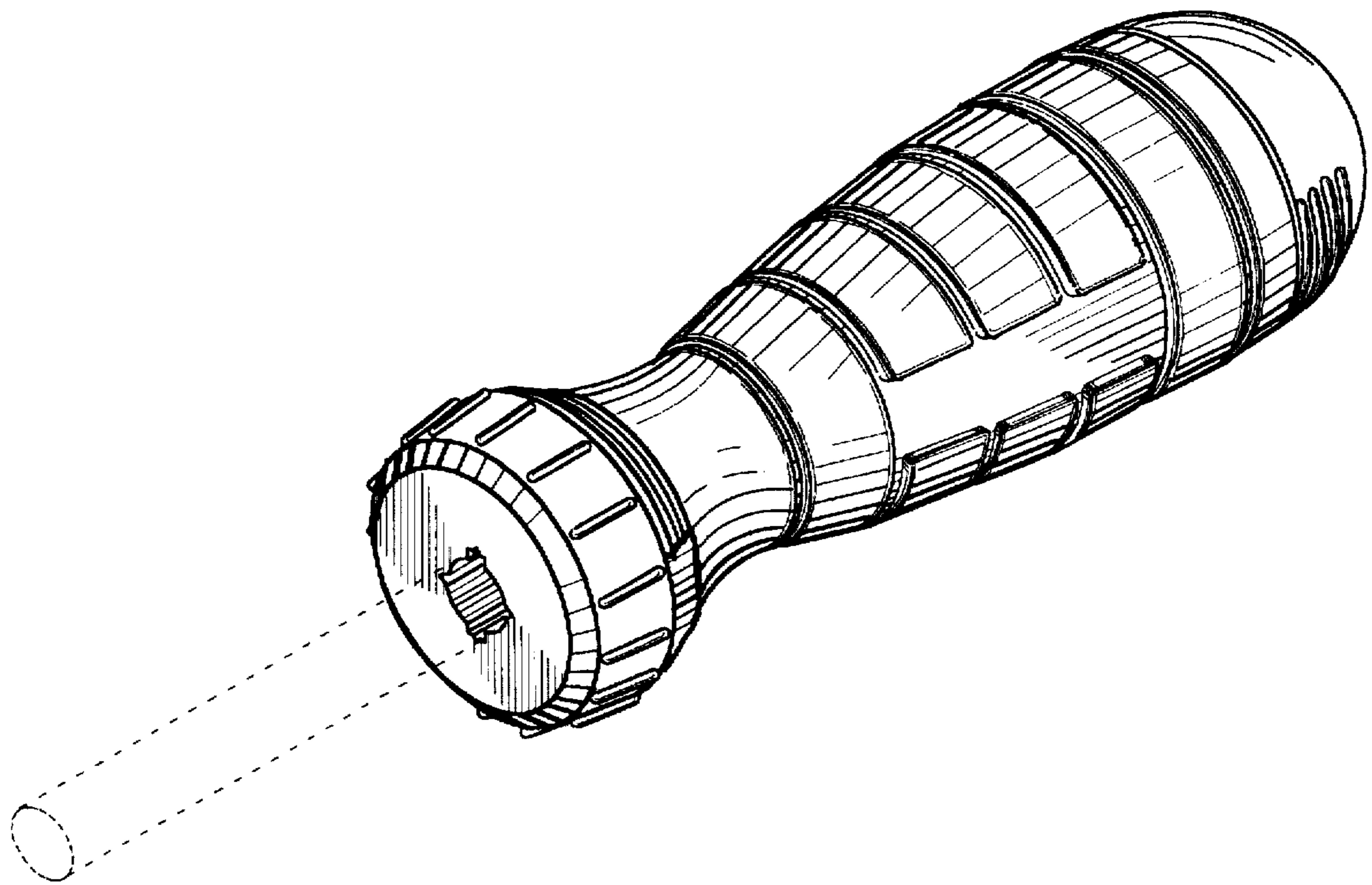


FIG.13

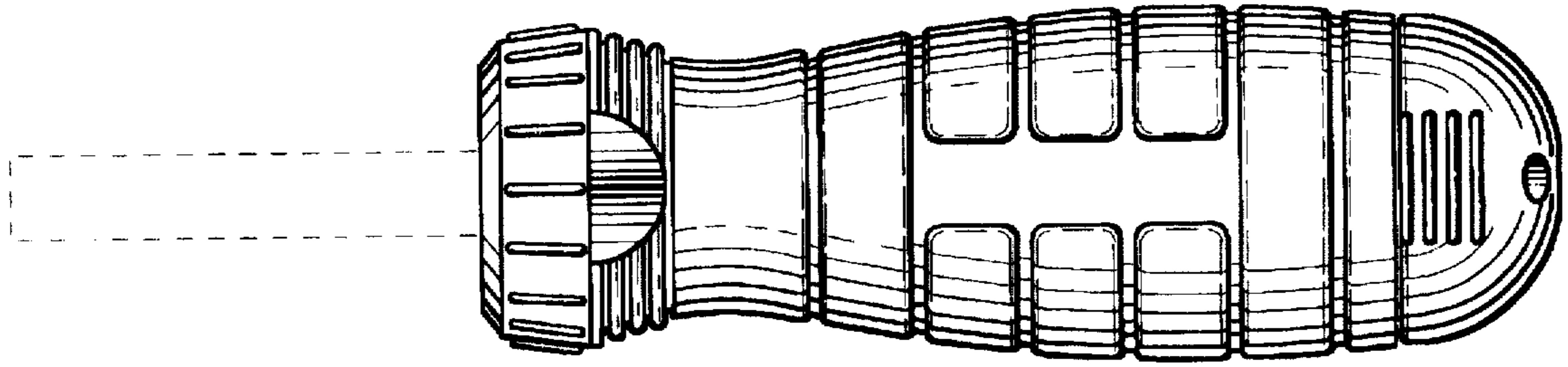


FIG. 14

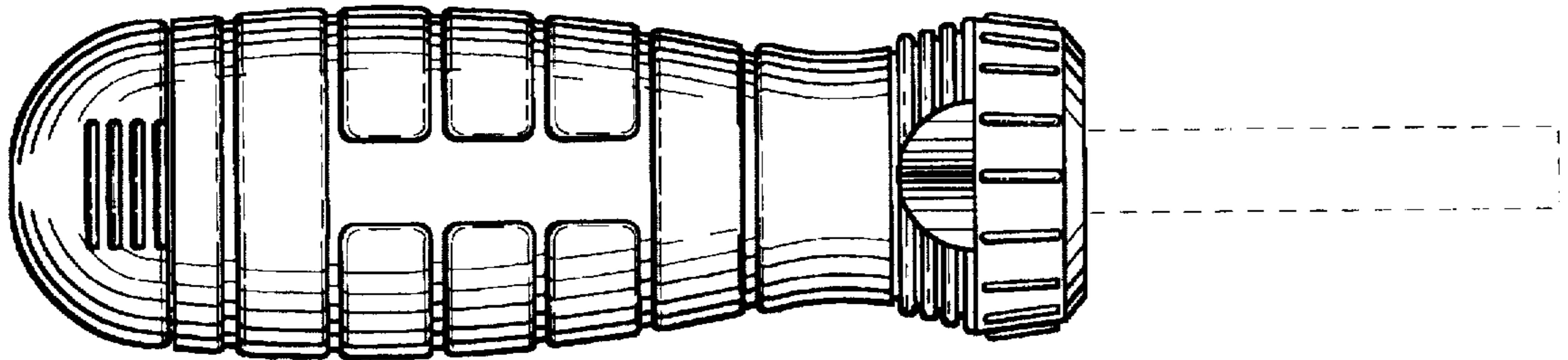


FIG. 15

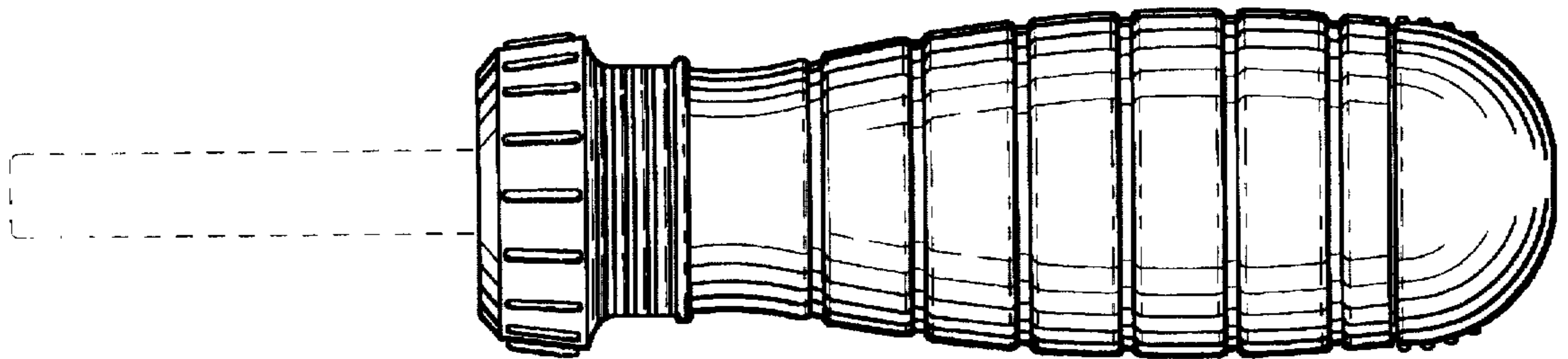


FIG. 16

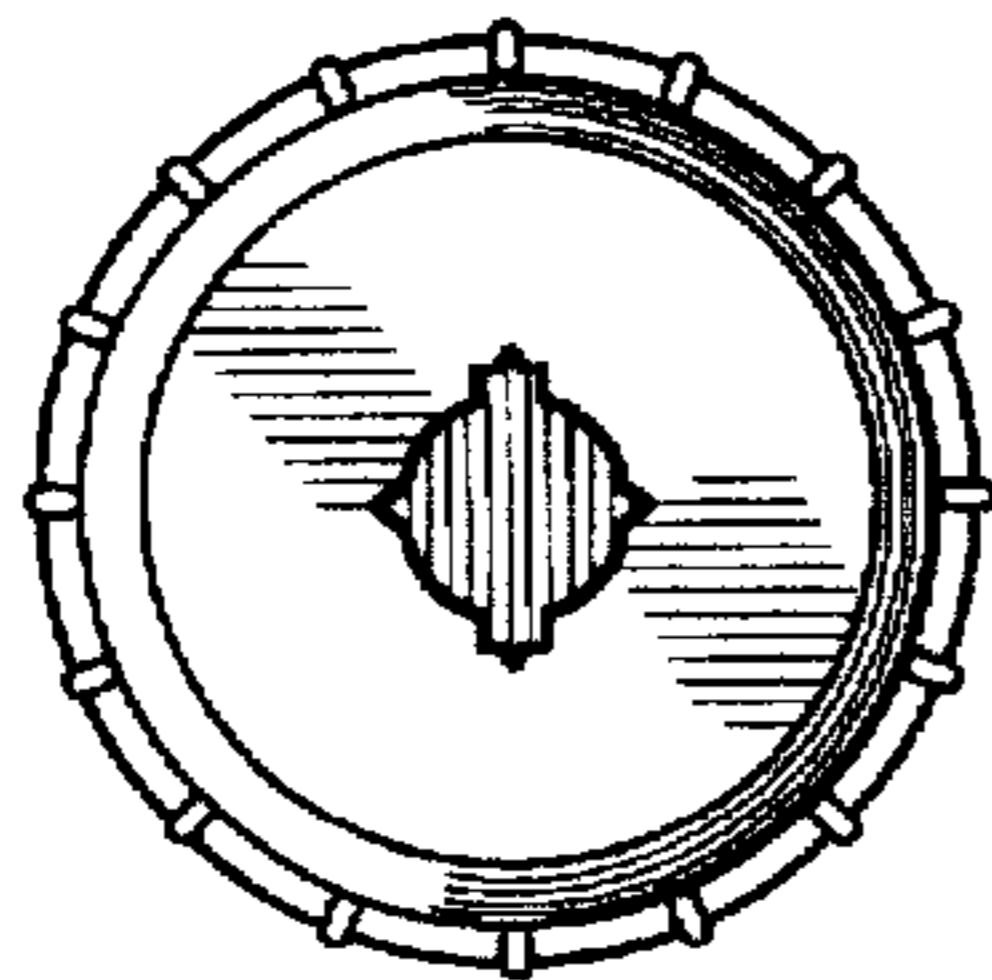


FIG. 17

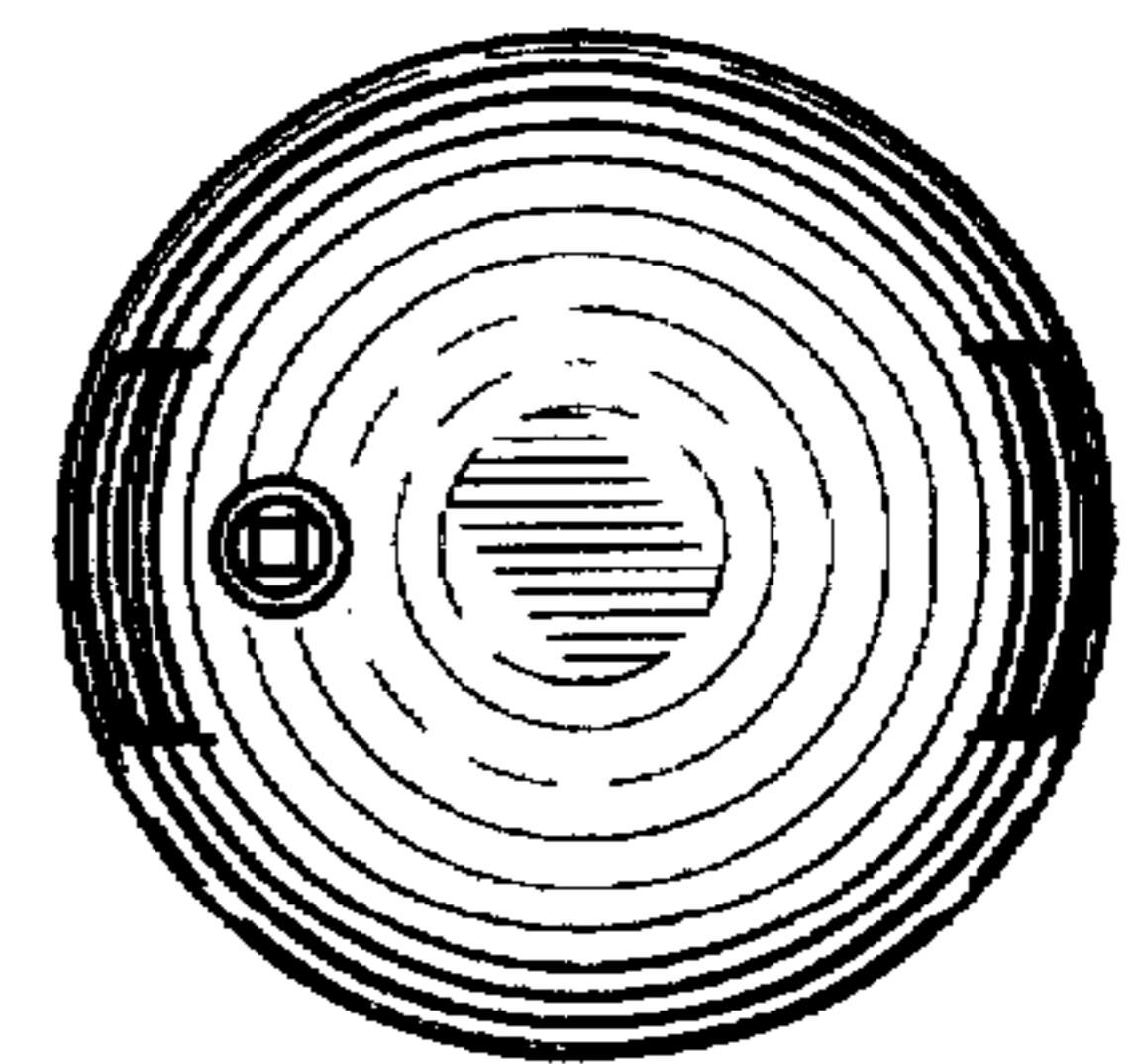


FIG. 18