

US00D396623S

United States Patent [19]
Eidsmoe

[11] **Patent Number:** **Des. 396,623**
[45] **Date of Patent:** ****Aug. 4, 1998**

[54] **HEX DRIVER FOR HAND TOOLS**

[75] **Inventor:** **Jeffery J. Eidsmoe**, County of El Paso, Colo.

[73] **Assignee:** **Emerson Electric Co.**, St. Louis, Mo.

[**] **Term:** **14 Years**

[21] **Appl. No.:** **66,138**

[22] **Filed:** **Feb. 6, 1997**

[51] **LOC (6) Cl.** **08-04**

[52] **U.S. Cl.** **D8/86; D8/29**

[58] **Field of Search** **D8/82, 83, 84, D8/85, 86, 29; 81/177.7, 436, 37, 73, 177.8, 440**

[56] **References Cited**

U.S. PATENT DOCUMENTS

D. 310,472	9/1990	Mader et al.	D8/82
2,712,765	7/1955	Knight, Jr.	81/177.7
4,334,445	6/1982	Timewell	81/177.1
4,440,048	4/1984	Stevens et al.	81/436
4,974,477	12/1990	Anderson	81/37
5,349,886	9/1994	Jin	81/436

Primary Examiner—Philip S. Hyder
Attorney, Agent, or Firm—Polster, Lieder, Woodruff & Lucchesi

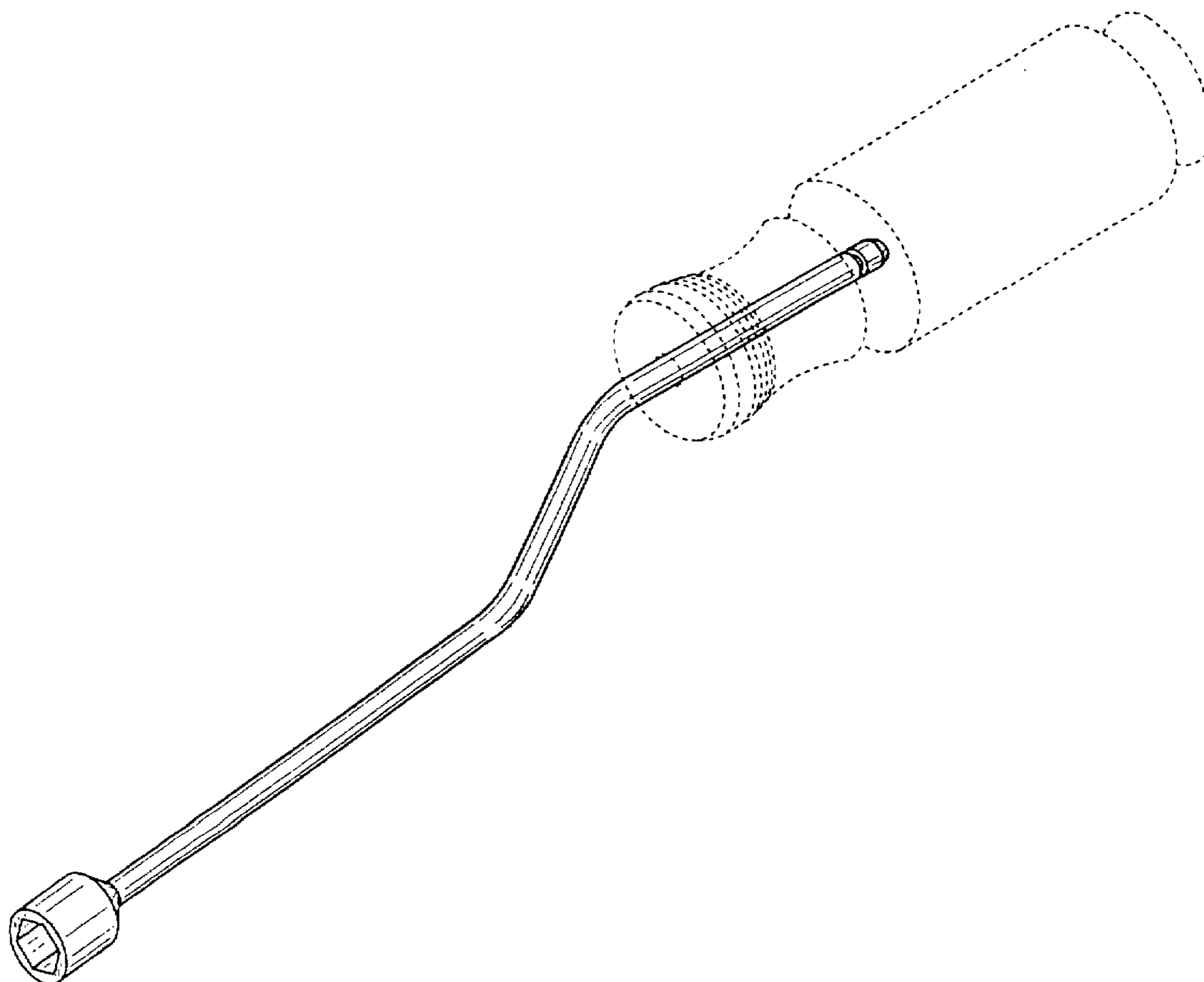
[57] **CLAIM**

The ornamental design for a hex driver for hand tools, as shown and described.

DESCRIPTION

FIG. 1 is a perspective view of one embodiment of hex driver for hand tools with a representative handle shown in phantom lines;
FIG. 2 is a right side elevational view thereof;
FIG. 3 is a left side elevational view thereof;
FIG. 4 is a top plan view thereof;
FIG. 5 is a bottom plan view thereof;
FIG. 6 is a left end elevational view thereof;
FIG. 7 is a right end elevational view thereof;
FIG. 8 is a perspective view of a second embodiment of hex driver for hand tools with a representative handle and hex socket shown in phantom lines;
FIG. 9 is a right side elevational view;
FIG. 10 is a left side elevational view thereof;
FIG. 11 is a top plan view thereof;
FIG. 12 is a bottom plan view thereof;
FIG. 13 is a left end elevational view thereof; and,
FIG. 14 is a right end elevational view thereof.
The broken line portions of the drawing disclosure are for illustrative purposes only and form no part of the claimed design.

1 Claim, 4 Drawing Sheets



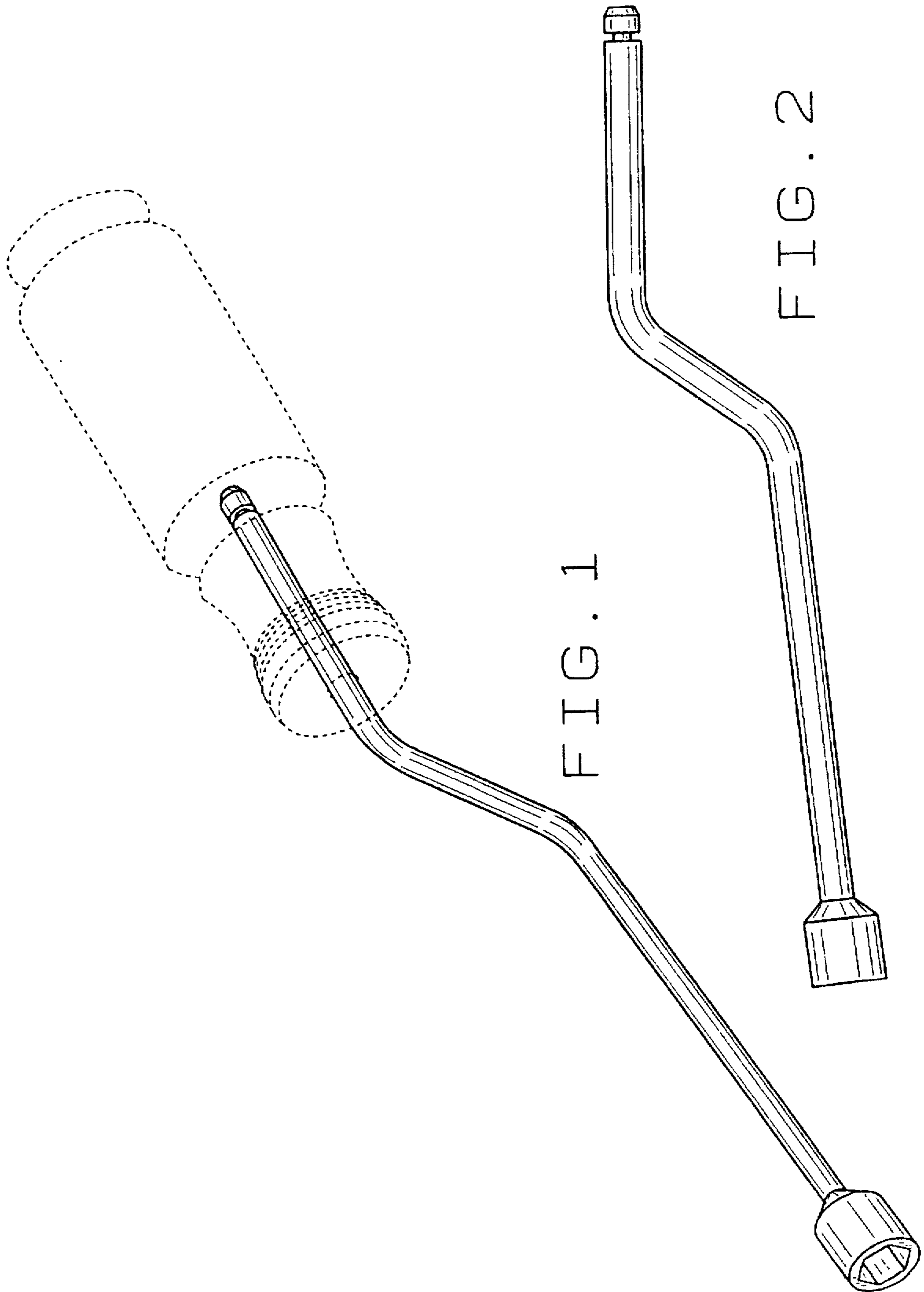


FIG. 1

FIG. 2

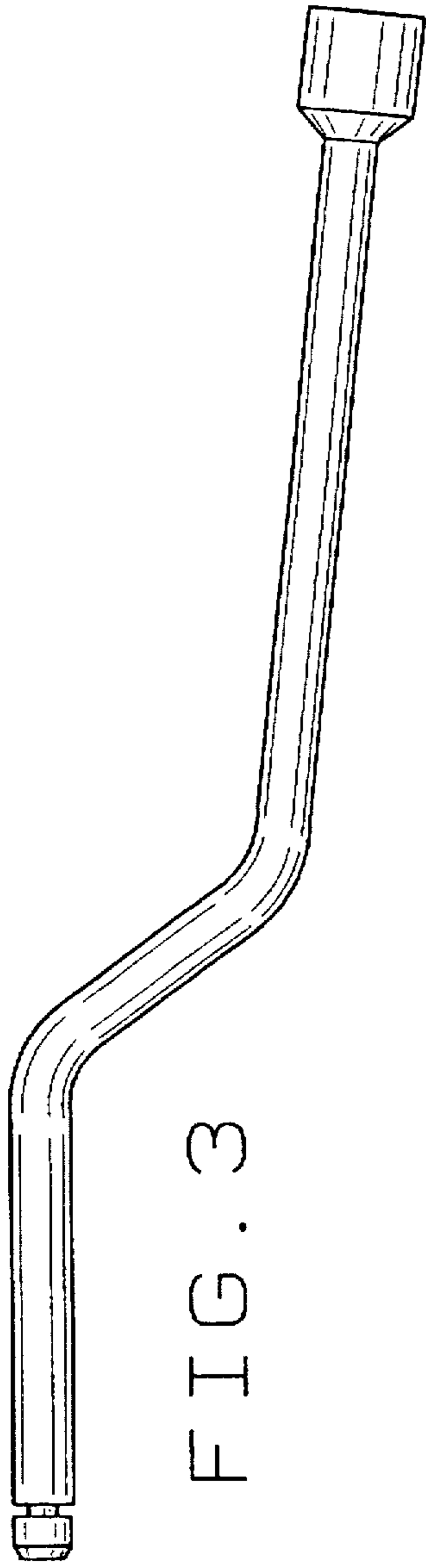


FIG. 3

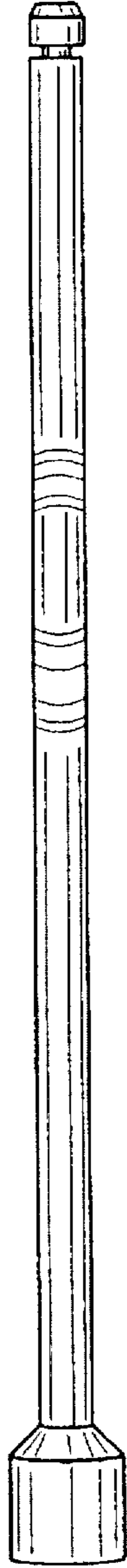


FIG. 4

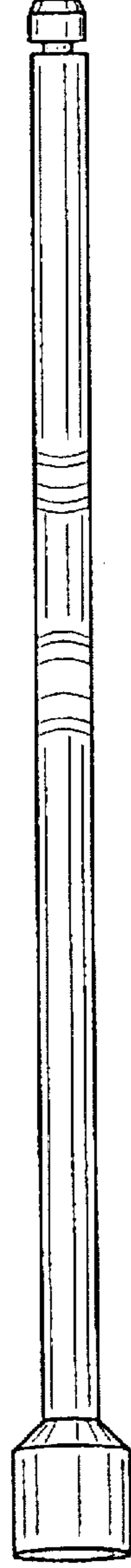


FIG. 5

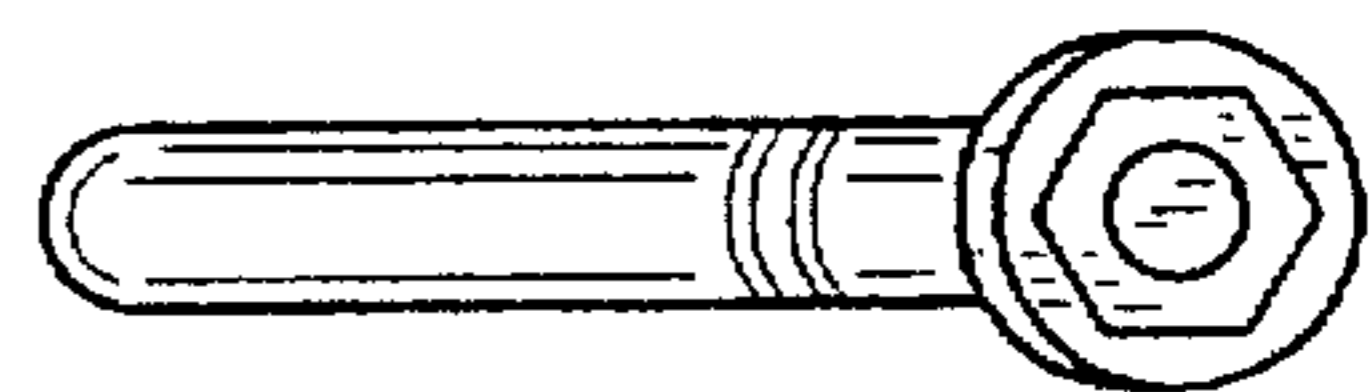
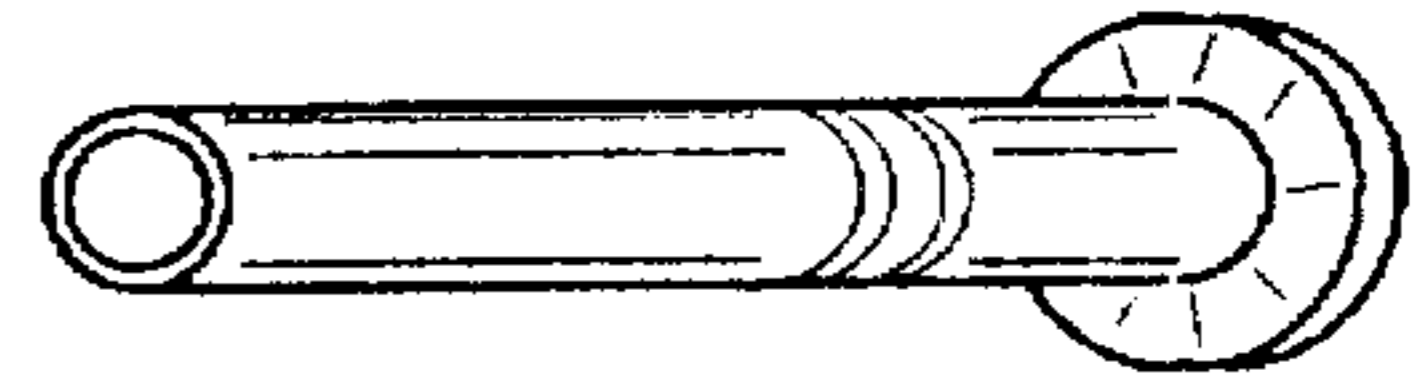
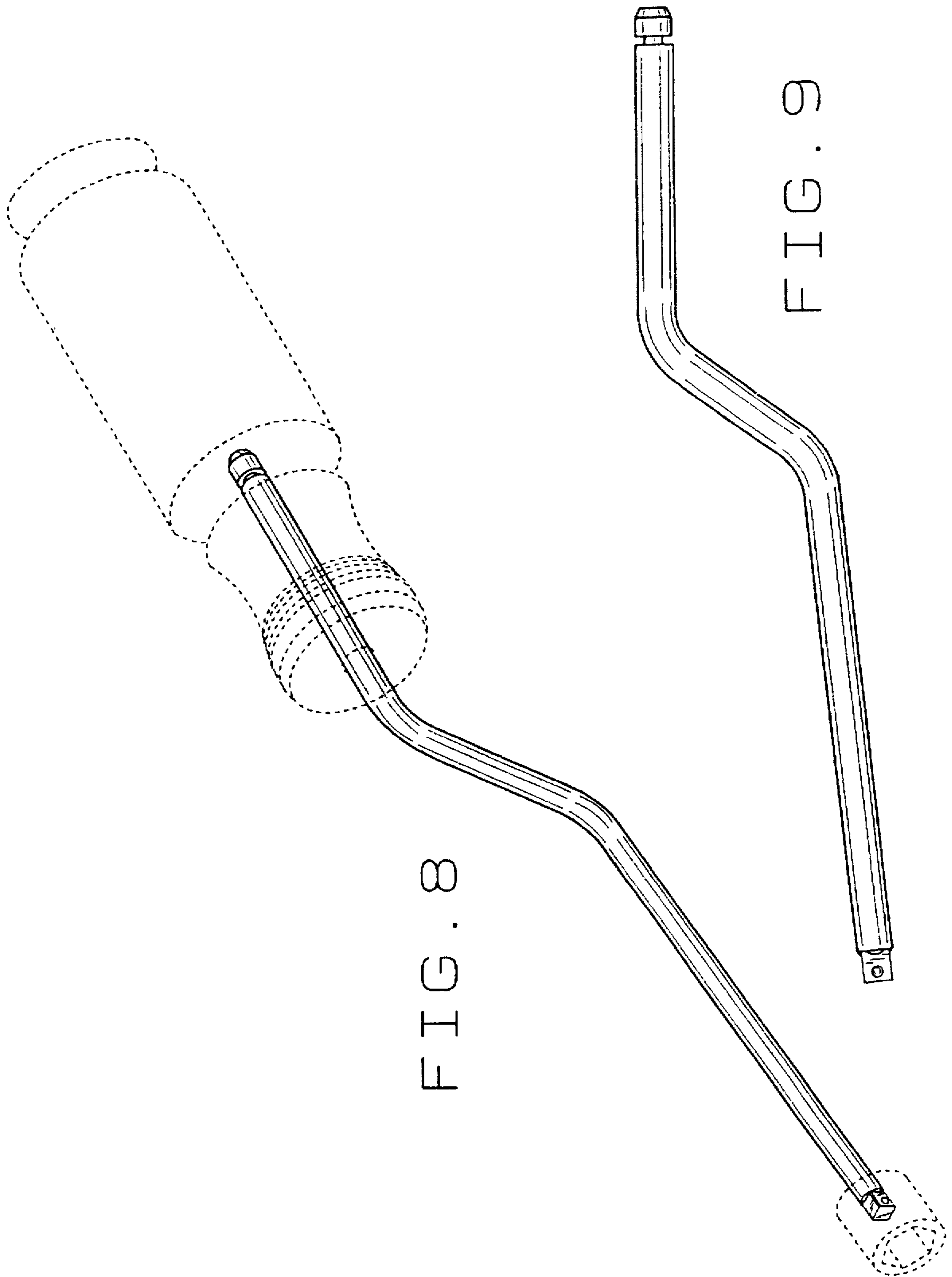


FIG. 7

FIG. 6



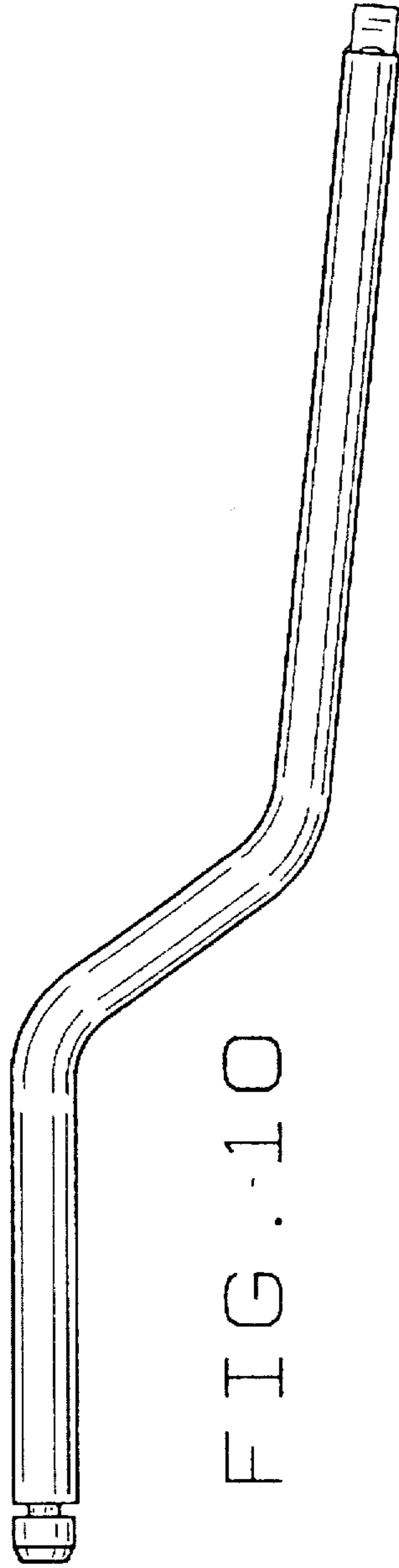


FIG. 10



FIG. 11



FIG. 12



FIG. 13

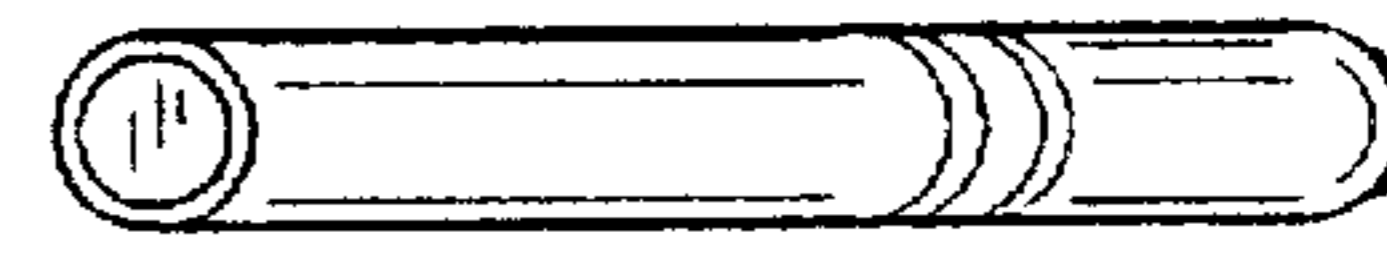


FIG. 14