



US00D396622S

United States Patent [19]
Hung

[11] **Patent Number:** **Des. 396,622**
[45] **Date of Patent:** ****Aug. 4, 1998**

[54] **HANDLE OF A SCREWDRIVER**
[75] **Inventor:** **Kun-Chih Hung**, Taichung Hsien,
Taiwan
[73] **Assignee:** **SOPA International Co., Ltd.**,
Taichung Hsien, Taiwan
[**] **Term:** **14 Years**

D. 296,296 6/1988 Lee D8/83
D. 304,543 11/1989 Somers et al. D8/82
D. 310,472 9/1990 Mader et al. D8/107
D. 356,239 3/1995 Lin D8/82
4,934,223 6/1990 Wong 81/177.4
5,069,091 12/1991 Bramsiepe et al. 81/177.7
5,421,225 6/1995 Chen 81/177.4

Primary Examiner—Philip S. Hyder
Attorney, Agent, or Firm—Morton J. Rosenberg; David I. Klein; Jun Y. Lee

[21] **Appl. No.:** **60,880**
[22] **Filed:** **Oct. 9, 1996**

[57] **CLAIM**

The ornamental design for a handle of a screwdriver, as shown and as described.

[51] **LOC (6) Cl.** **08-04**
[52] **U.S. Cl.** **D8/83; D8/107**
[58] **Field of Search** **D8/82, 83, 84,**
D8/85, 86, 87, 107; 16/110 R, 116 R; 81/177.1,
177.2, 177.3, 177.4, 177.6, 177.7, 436,
437, 438, 439, 440, 441

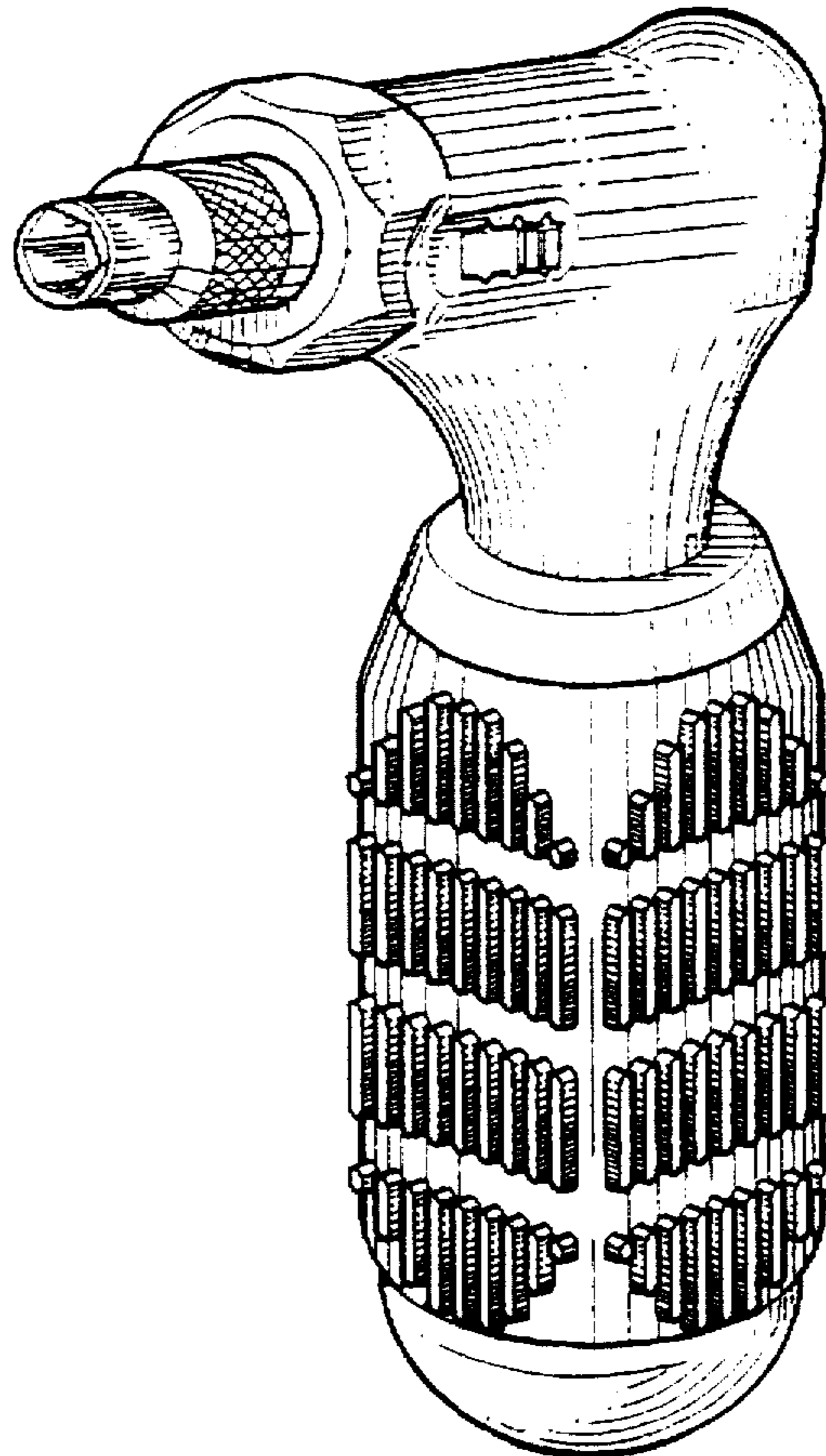
DESCRIPTION

FIG. 1 is a perspective view of a handle of a screwdriver showing my invention;
FIG. 2 is a front view thereof;
FIG. 3 is a rear view thereof;
FIG. 4 is a left side view thereof;
FIG. 5 is a right side view thereof;
FIG. 6 is a top view thereof; and,
FIG. 7 is a bottom view thereof.

[56] **References Cited**
U.S. PATENT DOCUMENTS

D. 107,007 11/1937 Cashmore D8/82
D. 273,268 4/1984 Smith D8/83
D. 278,971 5/1985 Smith et al. D8/107

1 Claim, 4 Drawing Sheets



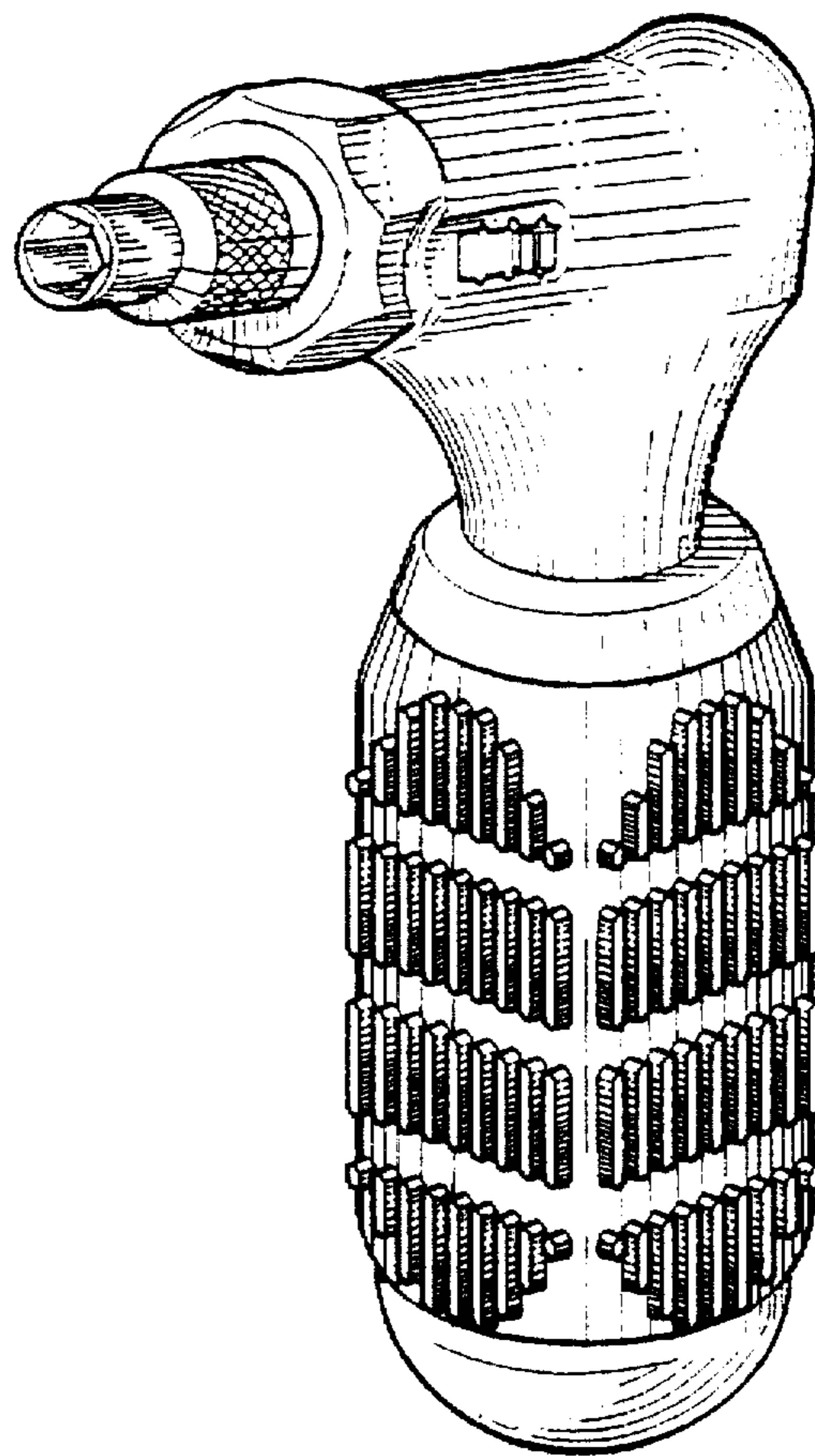


FIG. 1

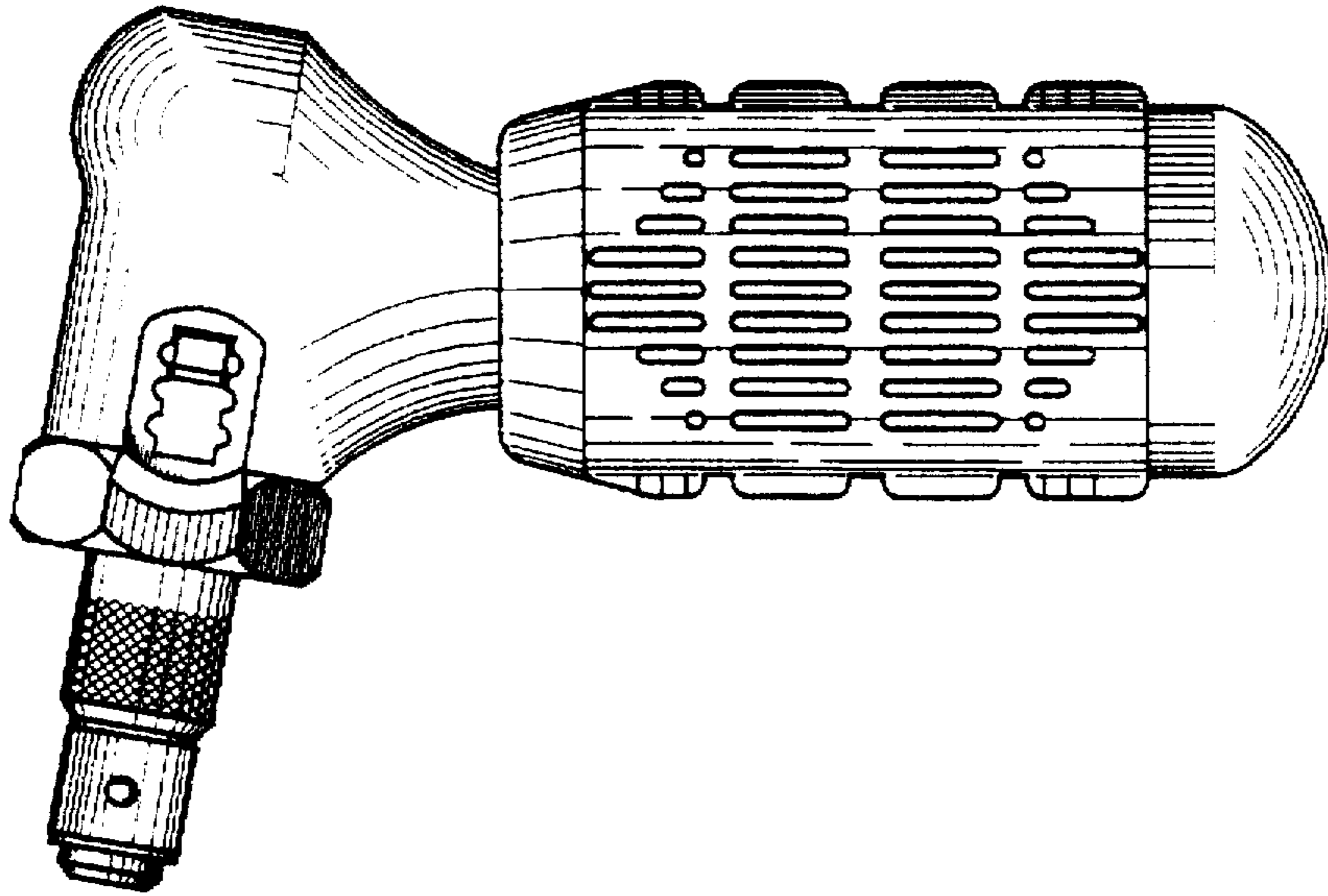


FIG. 2

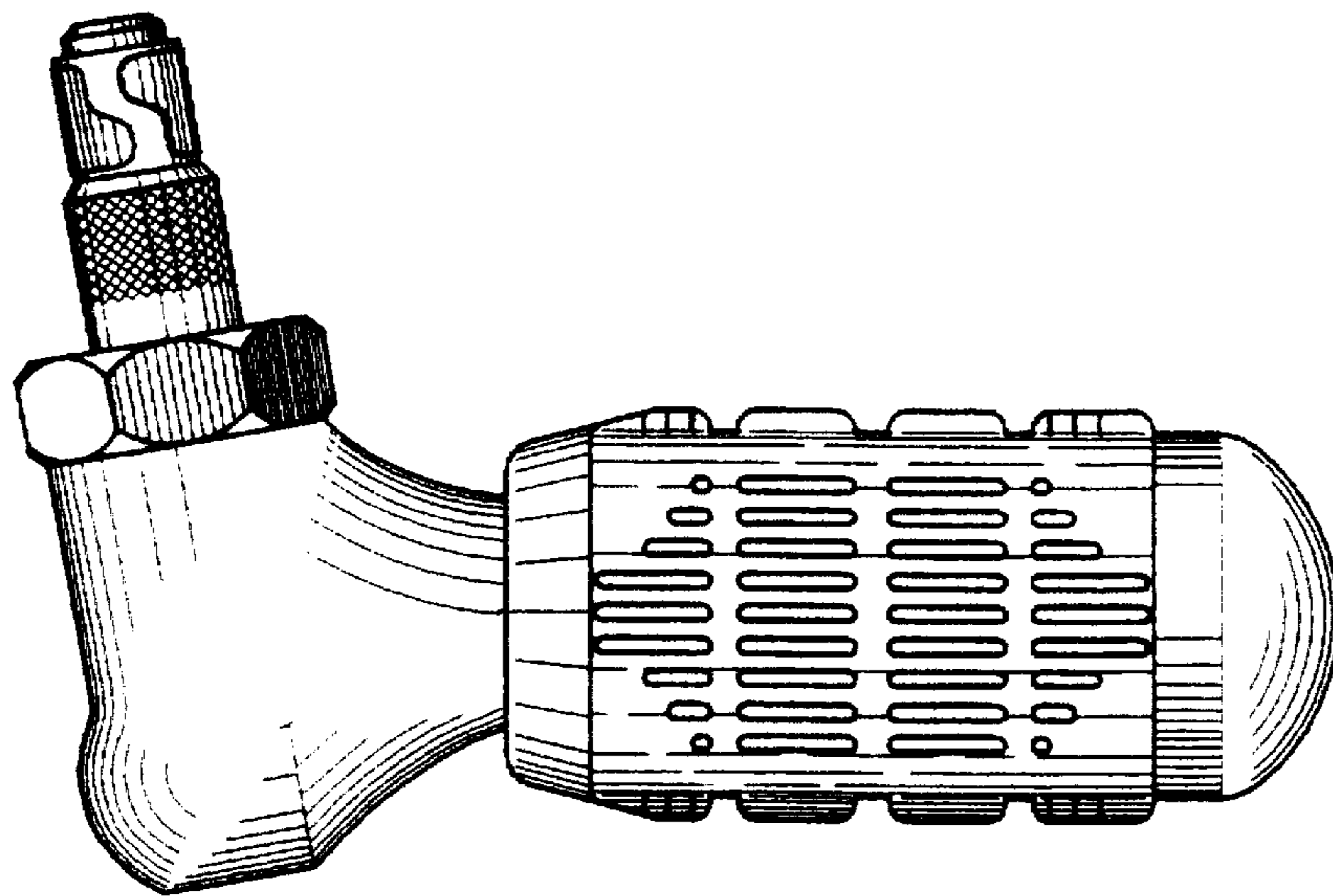


FIG. 3

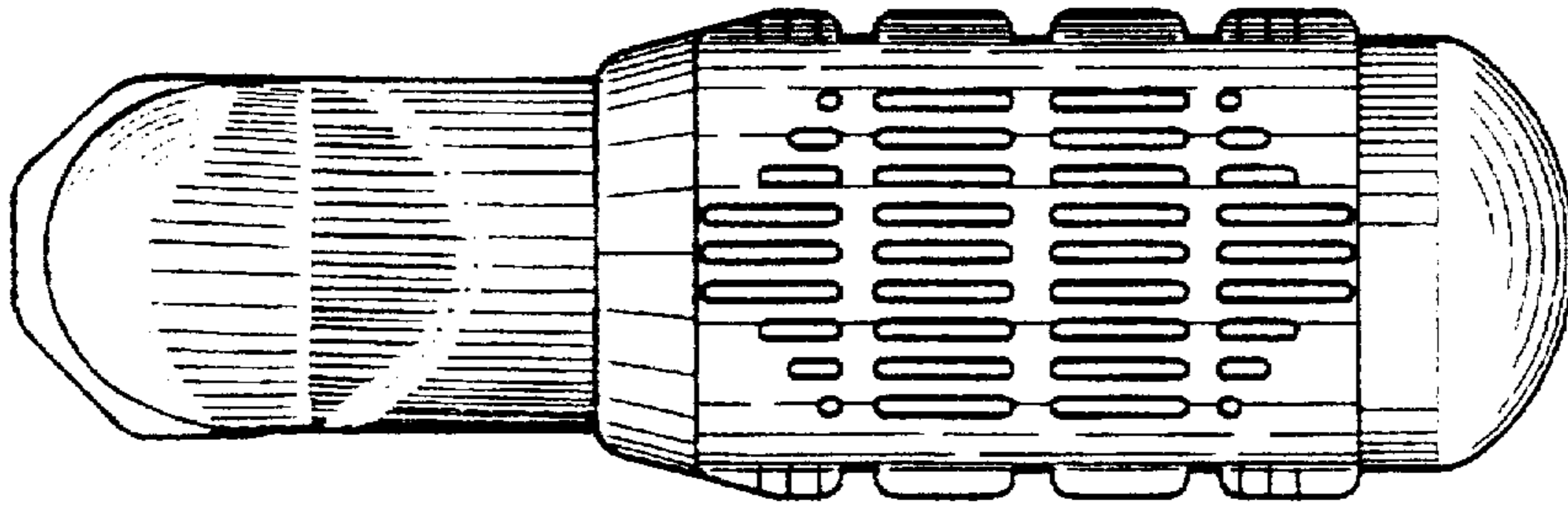


FIG. 5

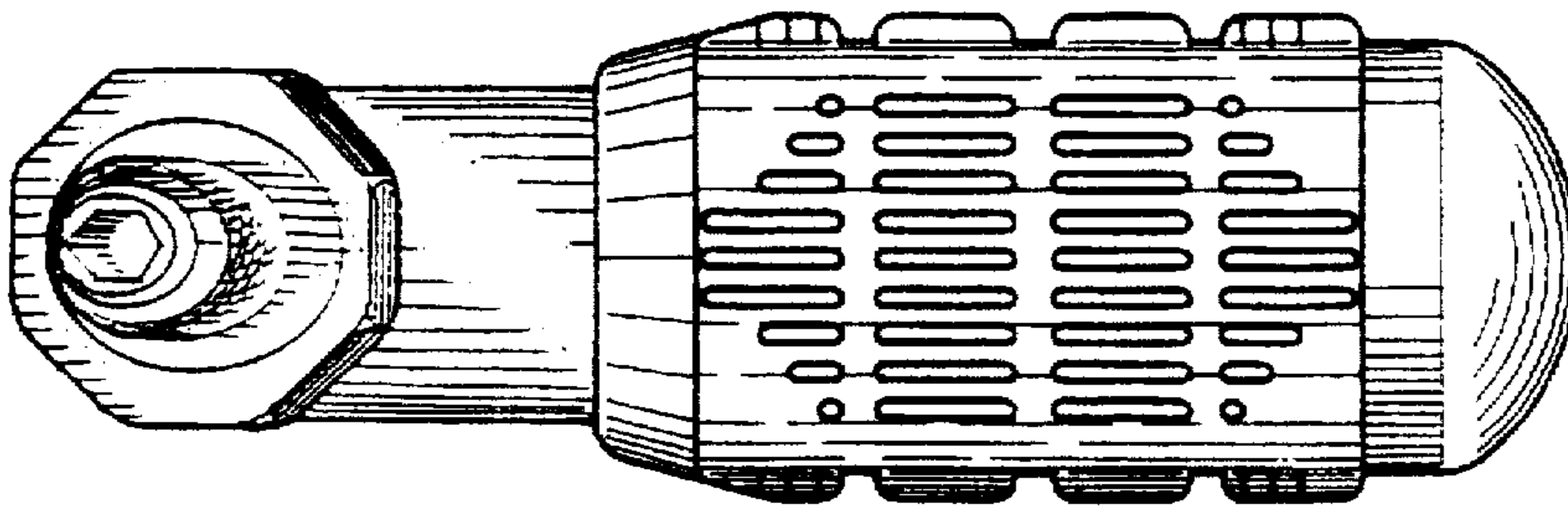


FIG. 4

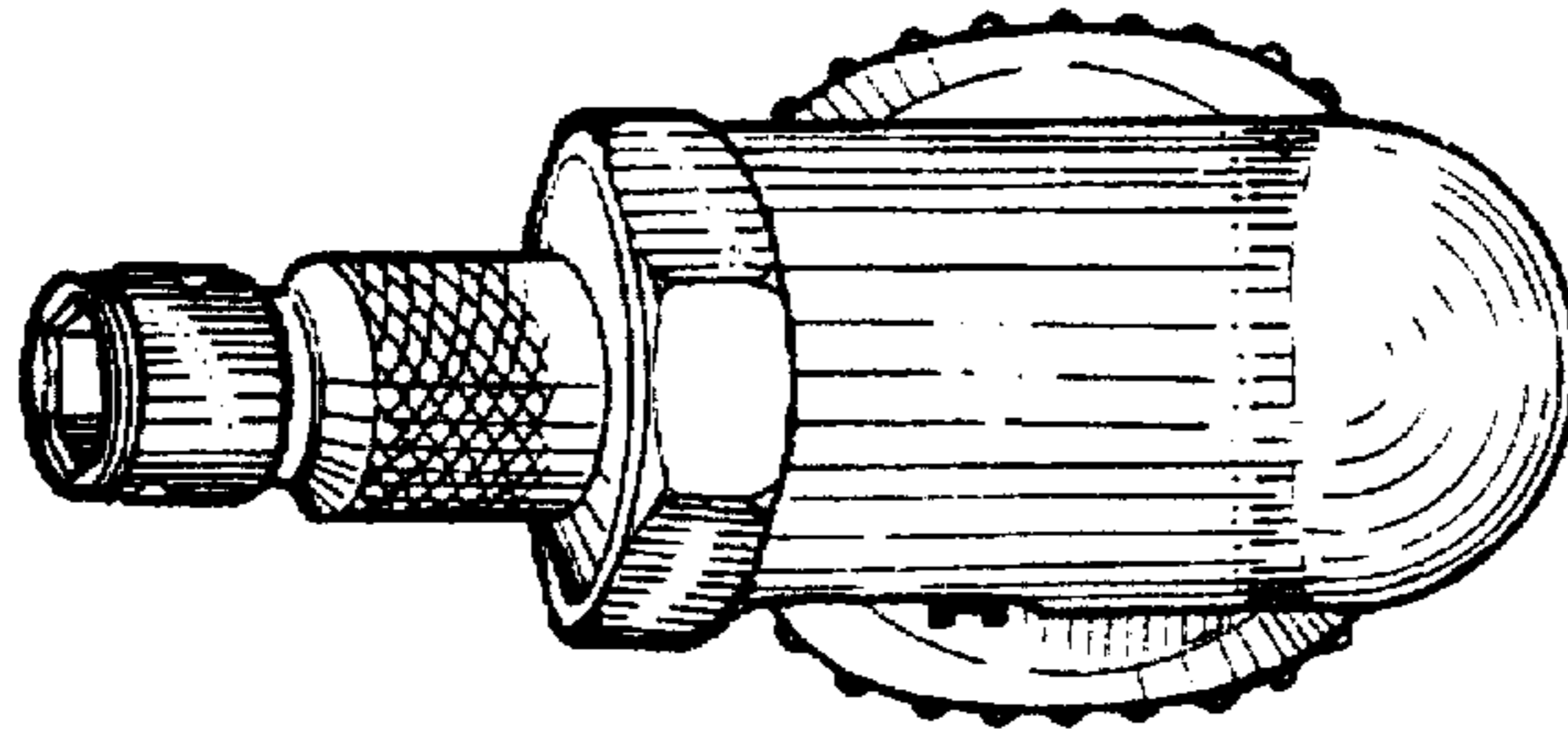


FIG. 6

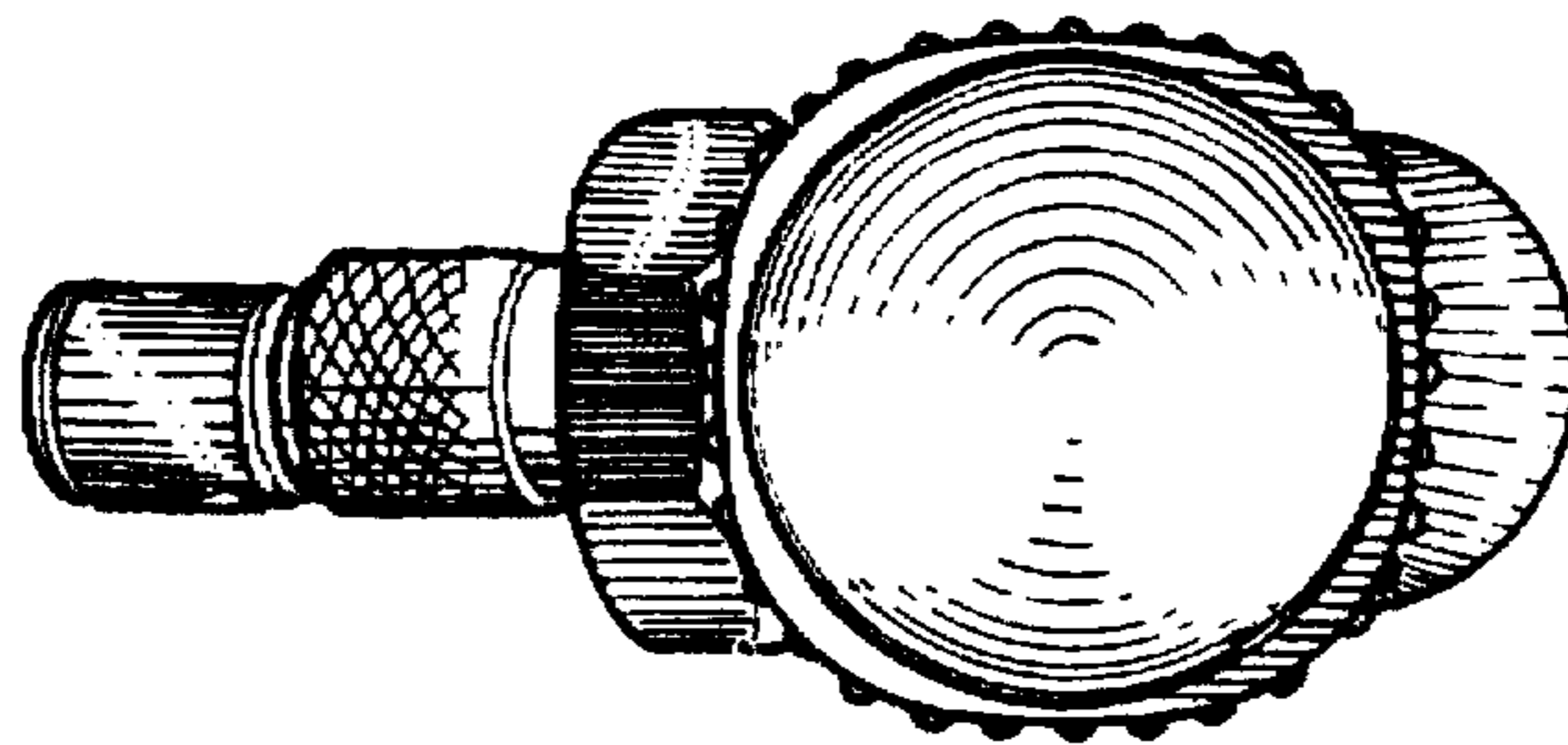


FIG. 7