

US00D396621S

United States Patent [19]
Zurwelle

[11] **Patent Number: Des. 396,621**
[45] **Date of Patent: ***Aug. 4, 1998**

[54] **DRILL**
[75] **Inventor: Donald W. Zurwelle, Lutherville, Md.**
[73] **Assignee: Black & Decker Inc., Newark, Del.**
[*] **Notice:** The portion of the term of this patent subsequent to Jul. 28, 2012, has been disclaimed.
[**] **Term: 14 Years**
[21] **Appl. No.: 67,024**
[22] **Filed: Feb. 28, 1997**
[51] **LOC (6) Cl. 08-01**
[52] **U.S. Cl. D8/68**
[58] **Field of Search D8/61, 68, 69;**
81/34, 57.11, 57.13, 57.14, 177.4; 173/178,
170; 239/525-528, 589; 408/77, 88, 103,
123, 124

D. 339,727 9/1993 Kikuchi D8/68
D. 344,000 2/1994 Shibata et al. .
D. 353,526 12/1994 Hoshino .

OTHER PUBLICATIONS

Black & Decker 1994 Catalog (Industry & Construction), p. 28 (Model 1166—Drill).
Bosch 1995 Catalog, p. 7 (Model No. 1024VSR—Drill).
Makita 1993 Catalog, p. 63 (Model No. 6501—Drill).
Milwaukee 1995 Electric Tools Catalog 195 (For Contractors and Industry, p. 12 (Model No. 0227-1—Drill).
Porter Cable 1994 Catalog, p. 53 (Model No. 2601—Drill).
Skil Heavy Duty 1995 Catalog, p. 39 (Model No. 6345:44—Drill).

Primary Examiner—Antoine Duval Davis
Attorney, Agent, or Firm—Dennis A. Dearing; John D. Del Ponti; Charles E. Yocum

[57] **CLAIM**

The ornamental design for a drill, as shown and described.

DESCRIPTION

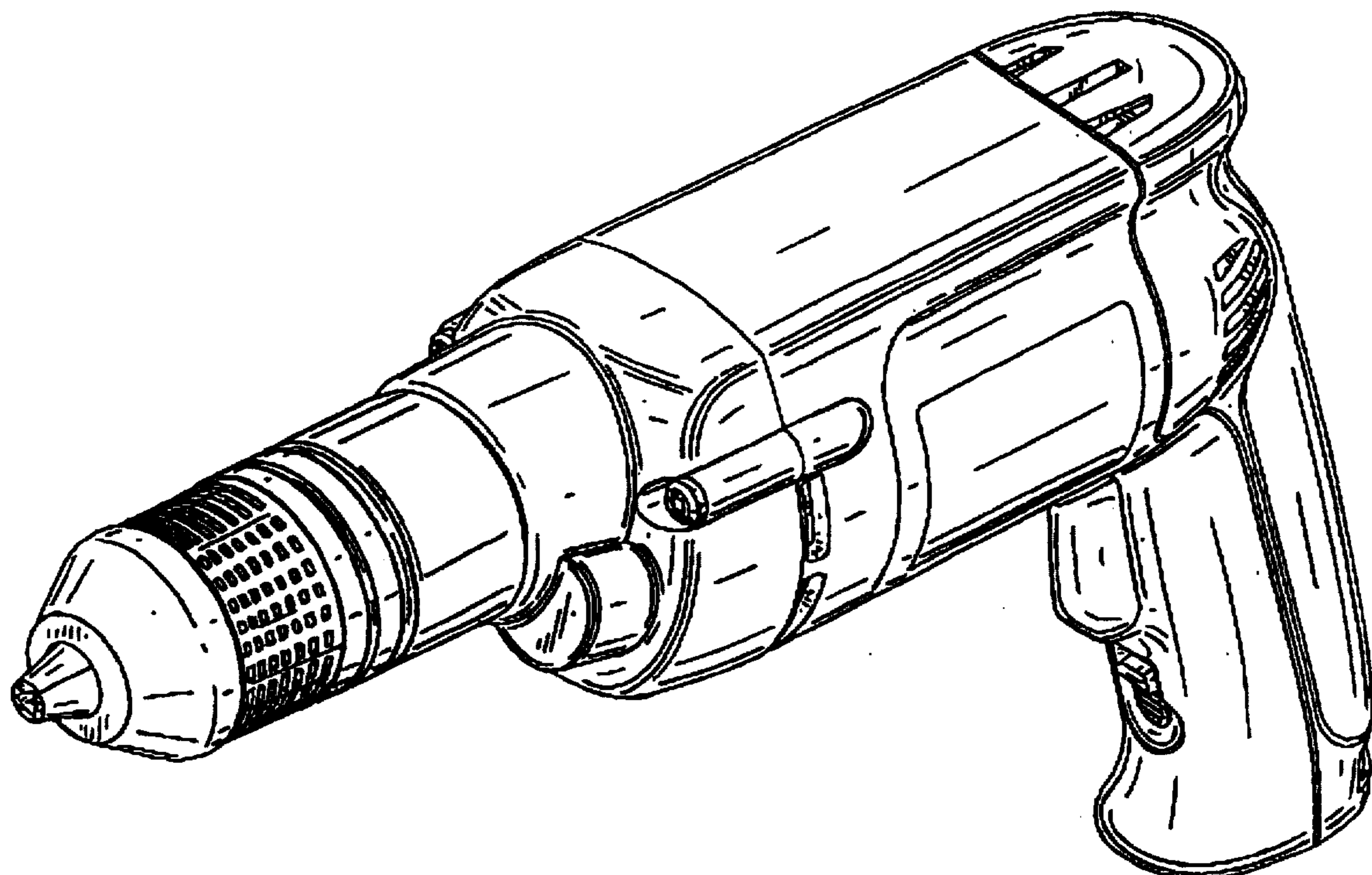
FIG. 1 is a front perspective view of a drill showing my new design;
FIG. 2 is a right side elevational view thereof;
FIG. 3 is a left side elevational view thereof;
FIG. 4 is a top plan view thereof;
FIG. 5 is a bottom plan view thereof;
FIG. 6 is a front elevational view thereof; and,
FIG. 7 is a rear elevational view thereof.

1 Claim, 5 Drawing Sheets

[56] **References Cited**

U.S. PATENT DOCUMENTS

D. 280,797 10/1985 Sakamoto et al. D8/61 X
D. 280,883 10/1985 Sakamoto et al. D8/61 X
D. 304,287 10/1989 Zurwelle .
D. 316,021 4/1991 Bunyea D8/68
D. 319,763 9/1991 Reifersched D8/68
D. 325,861 5/1992 Saito et al. .
D. 328,411 8/1992 Cavedo .
D. 337,710 7/1993 Liu et al. .
D. 337,711 7/1993 Ogawa et al. .



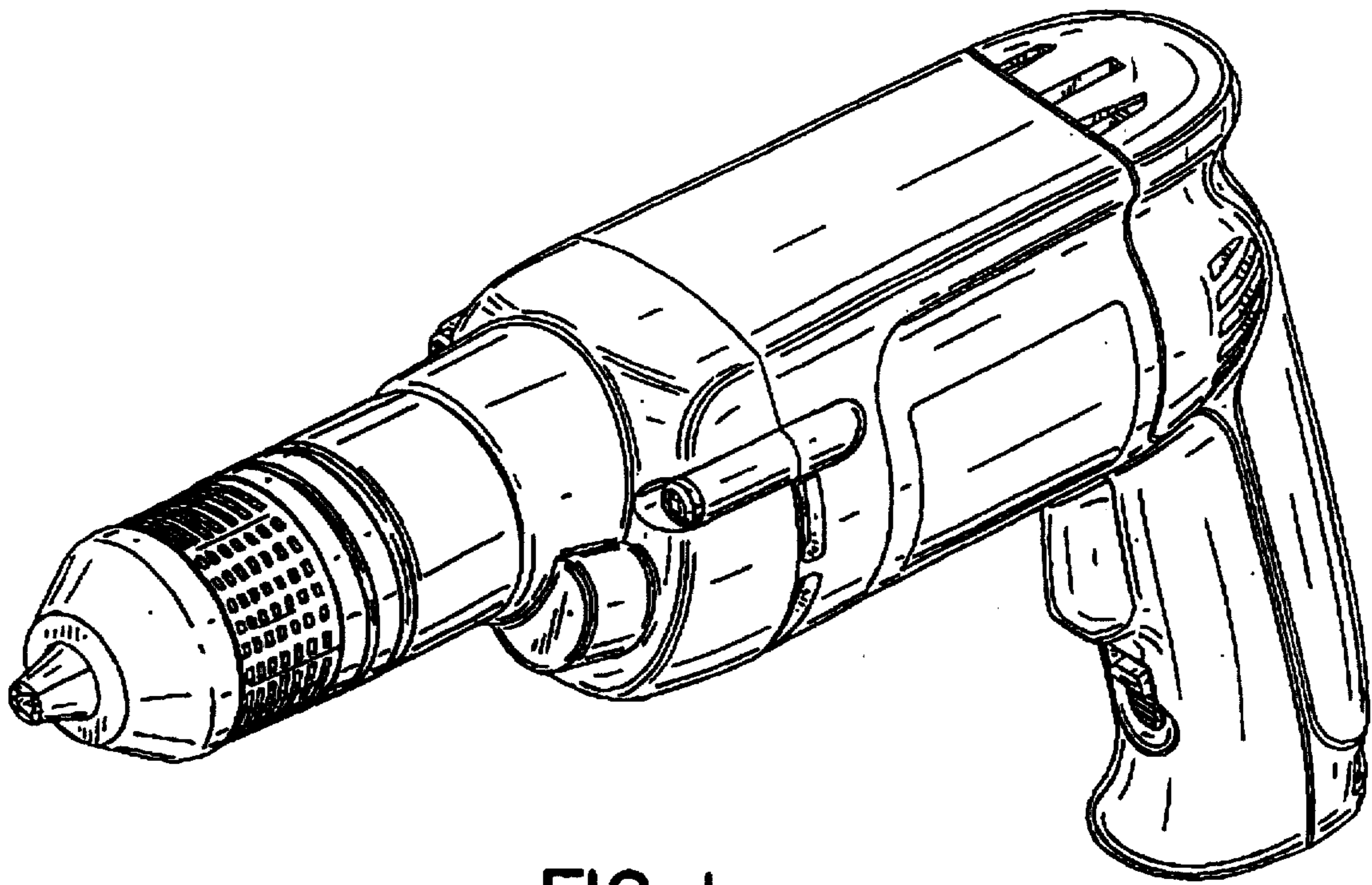


FIG. 1

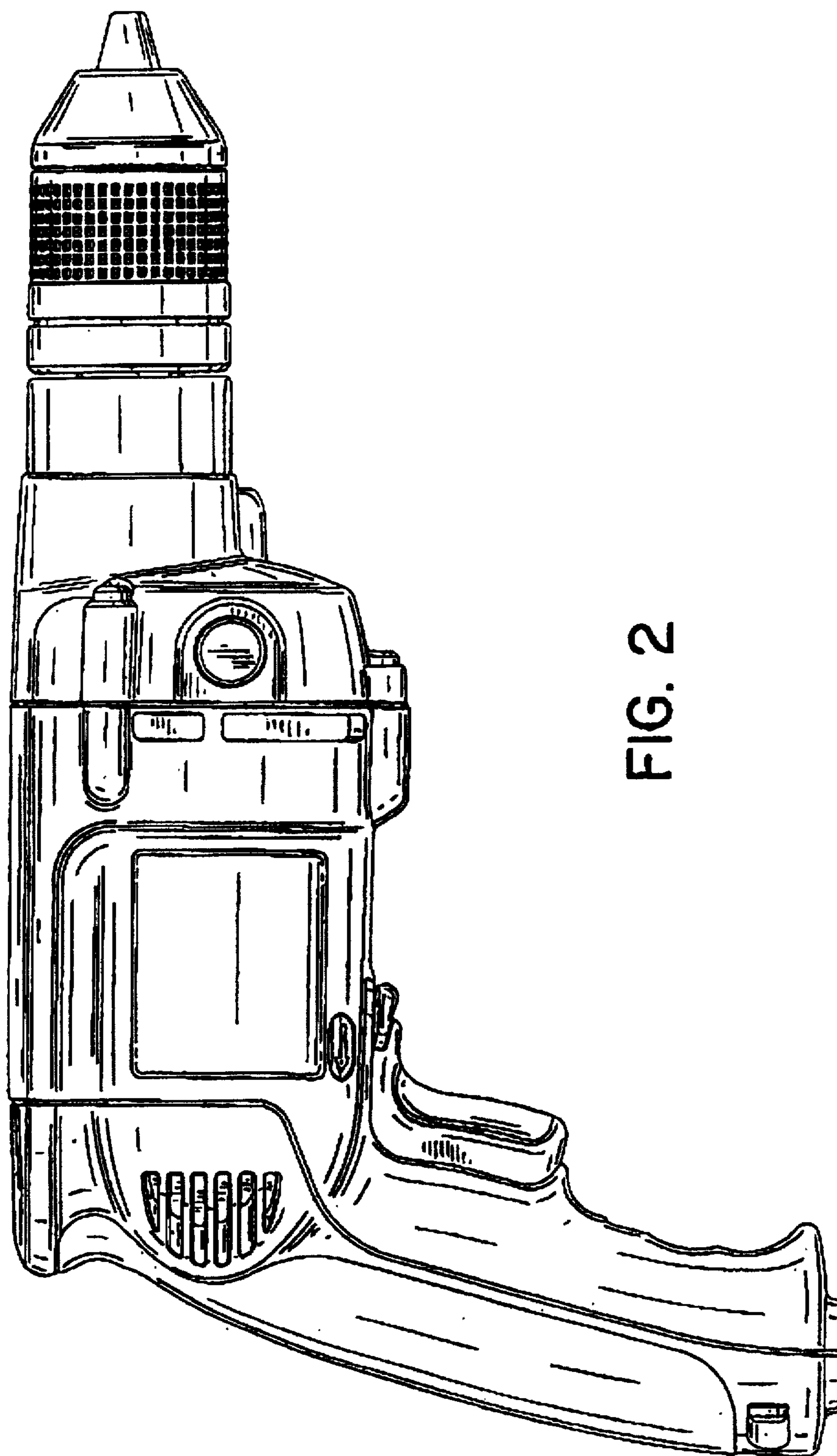


FIG. 2

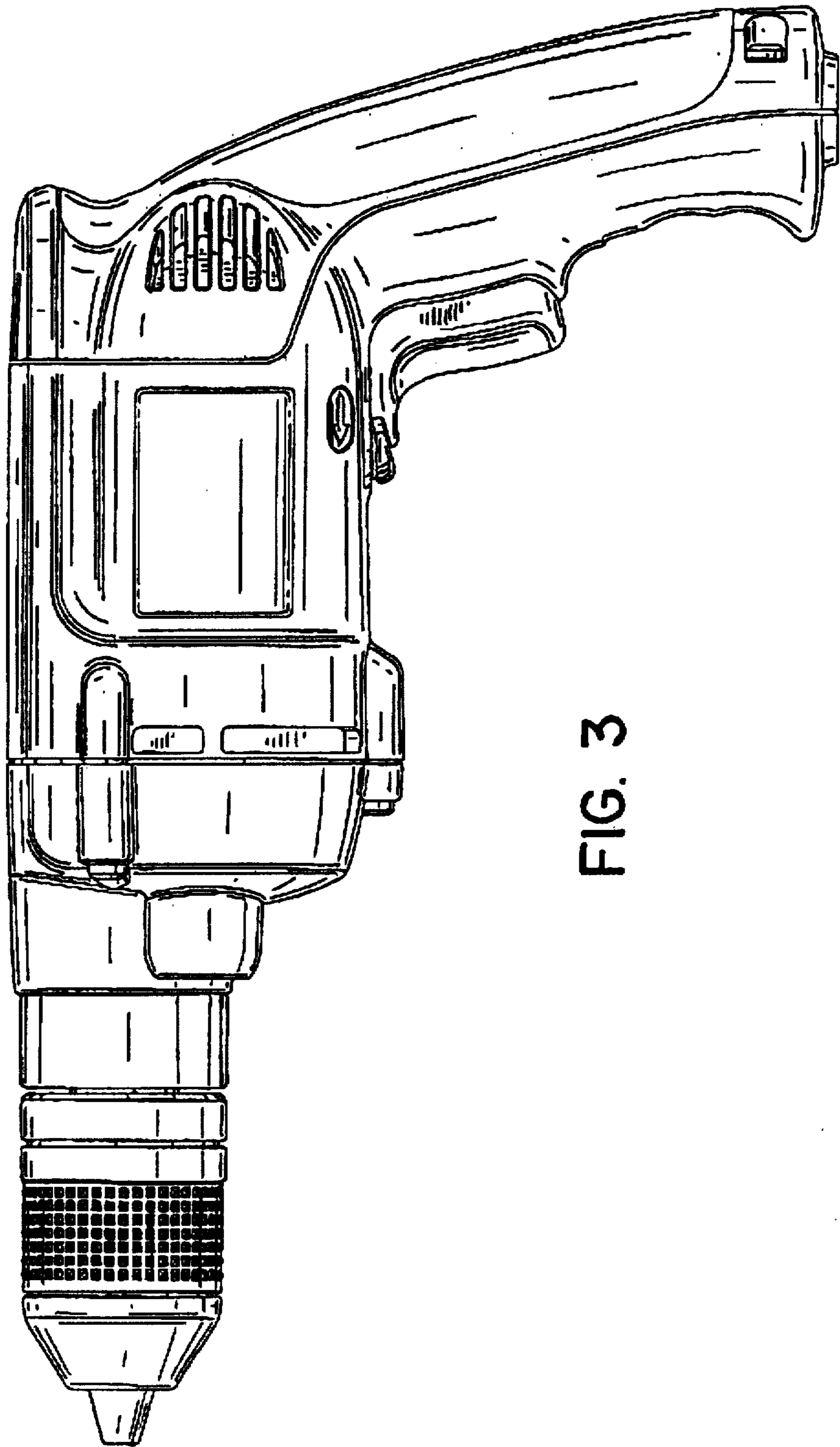


FIG. 3

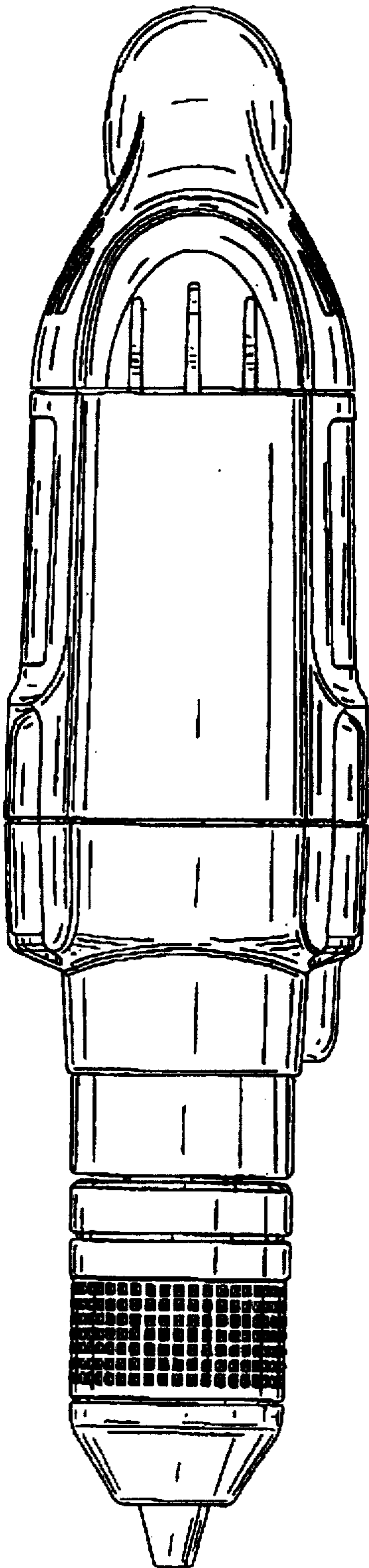


FIG. 4

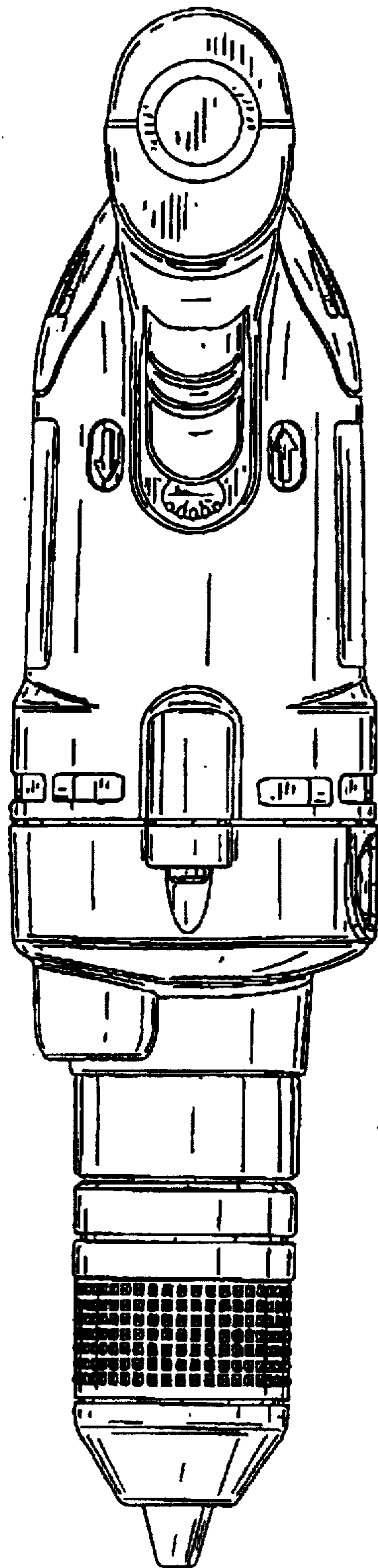


FIG. 5

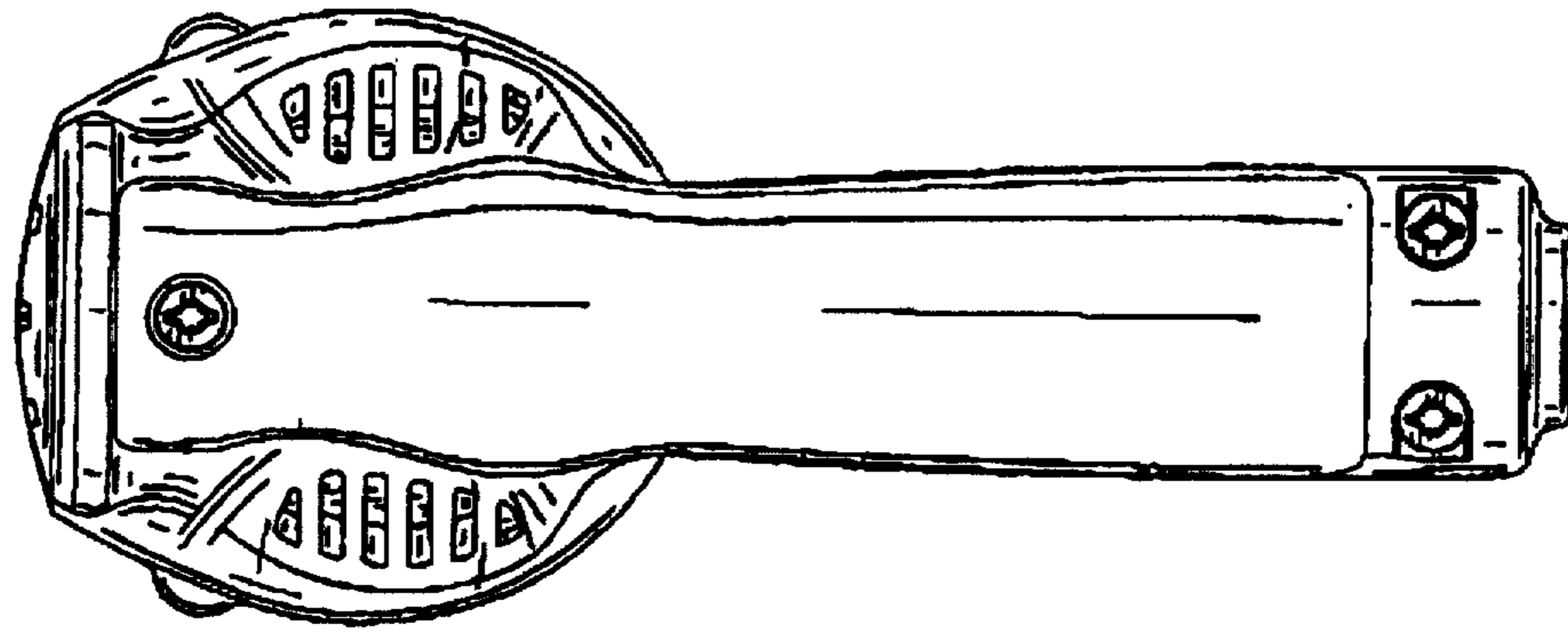


FIG. 7

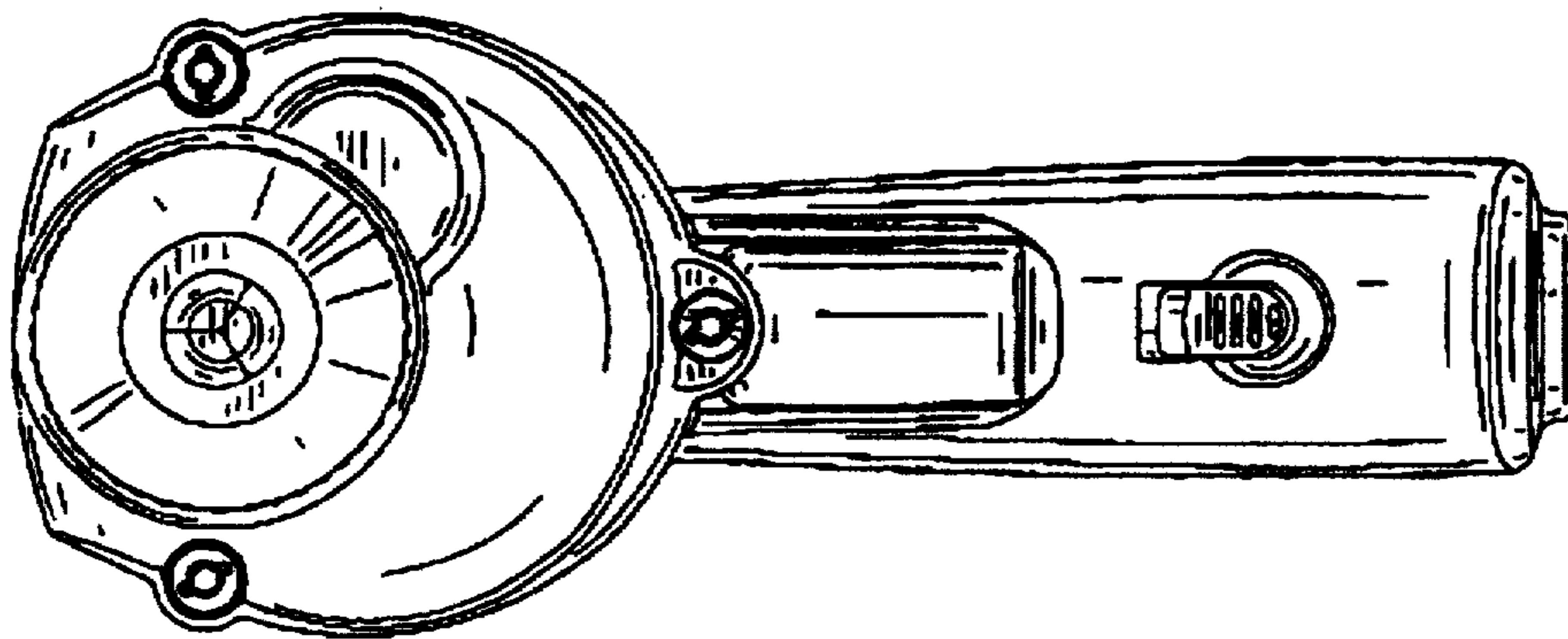


FIG. 6