



US00D396617S

United States Patent [19]
Gravelle

[11] **Patent Number:** **Des. 396,617**
[45] **Date of Patent:** ****Aug. 4, 1998**

[54] **INSPECTION DEVICE**

D. 358,970 6/1995 Mayoue D8/51
2,428,941 10/1947 Packard 294/26

[76] **Inventor:** **Elizabeth Gravelle**, 160 Main St. S.,
Suite 92501, Brampton, Ontario,
Canada, L6W 4R1

Primary Examiner—Freda Nunn
Attorney, Agent, or Firm—Bachman & LaPointe, P.C.

[**] **Term:** **14 Years**

[57] **CLAIM**

[21] **Appl. No.:** **63,331**

The ornamental design for an inspection device, as shown and described.

[22] **Filed:** **Dec. 5, 1996**

DESCRIPTION

[51] **LOC (6) Cl.** **08-05**

FIG. 1 is a perspective view of the inspection device of the present invention;

[52] **U.S. Cl.** **D8/51**

FIG. 2 is a left side elevational view;

[58] **Field of Search** D8/51, 52, 14,
D8/104; 294/19.1, 26, 50.9, 50.8

FIG. 3 is a bottom view;

FIG. 4 is a front view;

FIG. 5 is a rear view;

FIG. 6 is a top view; and,

FIG. 7 is a right side elevational view.

[56] **References Cited**

U.S. PATENT DOCUMENTS

D. 311,482 10/1990 Morton D8/51
D. 318,994 8/1991 Stewart D8/14
D. 345,287 3/1994 Bentz D8/51

1 Claim, 3 Drawing Sheets

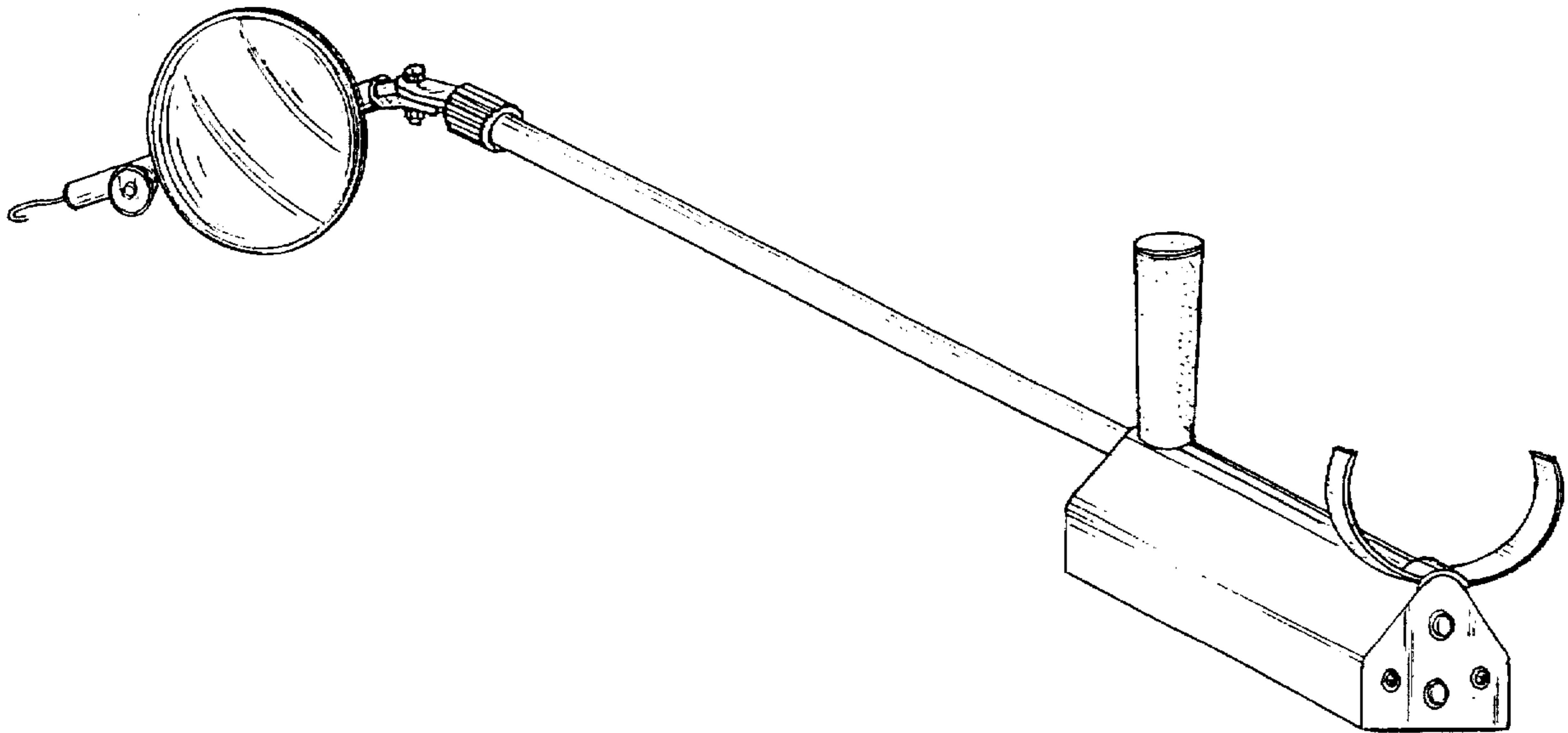




FIG. 1

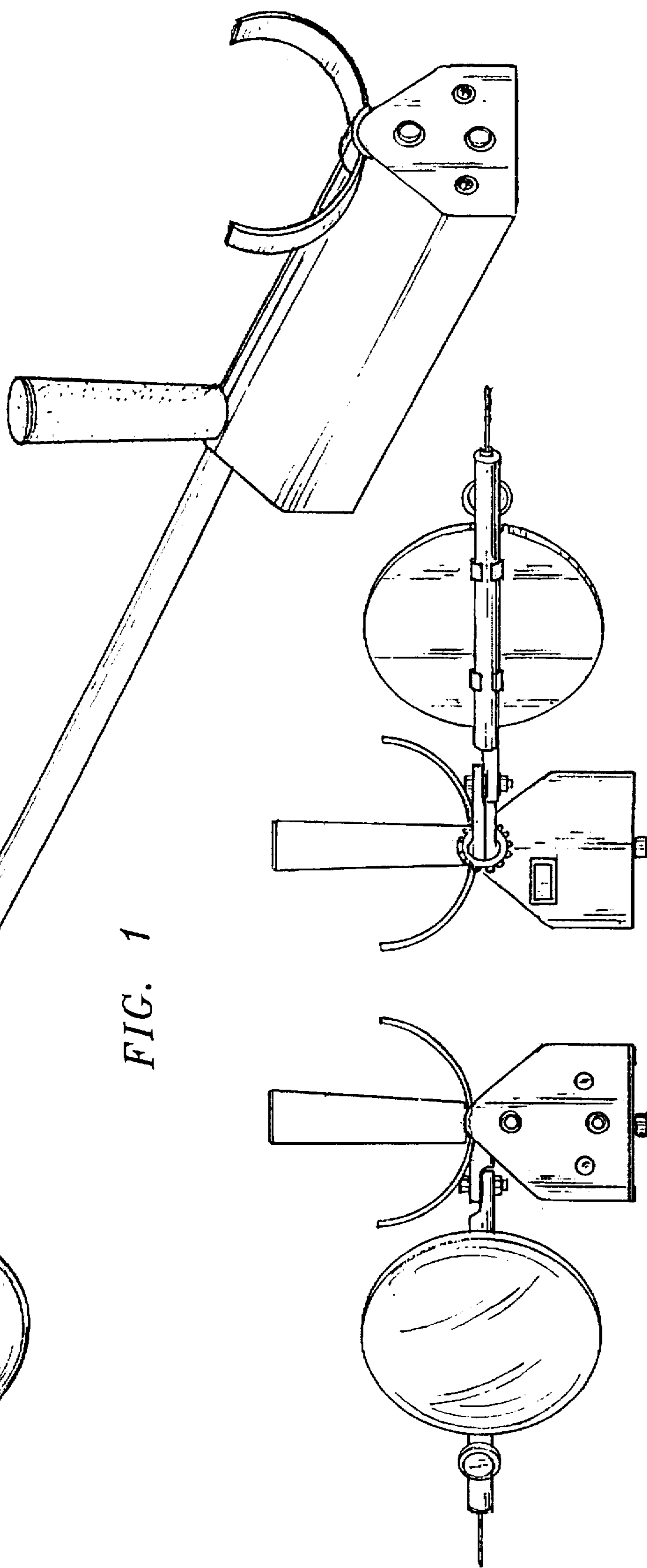


FIG. 5

FIG. 4

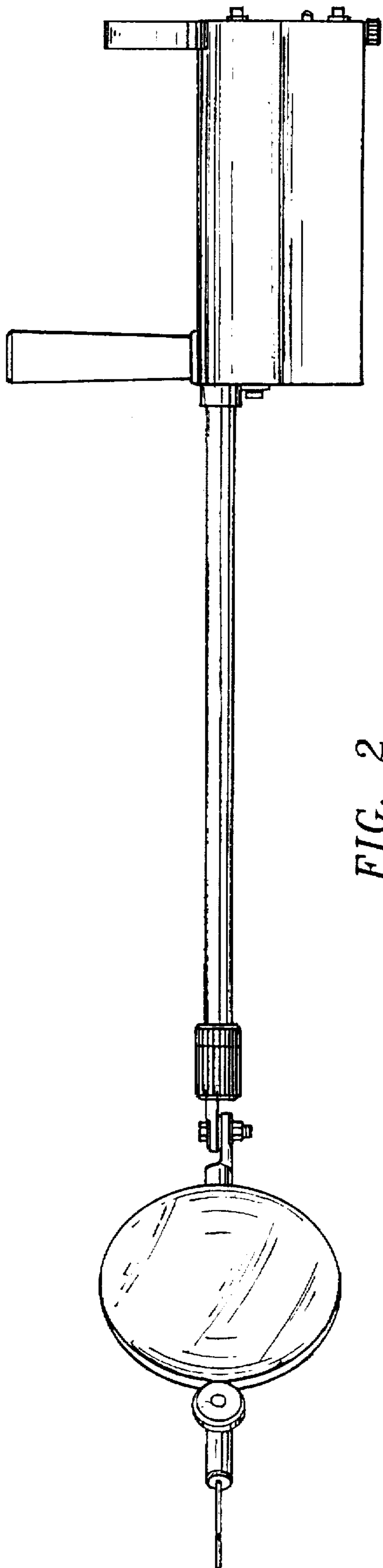


FIG. 2

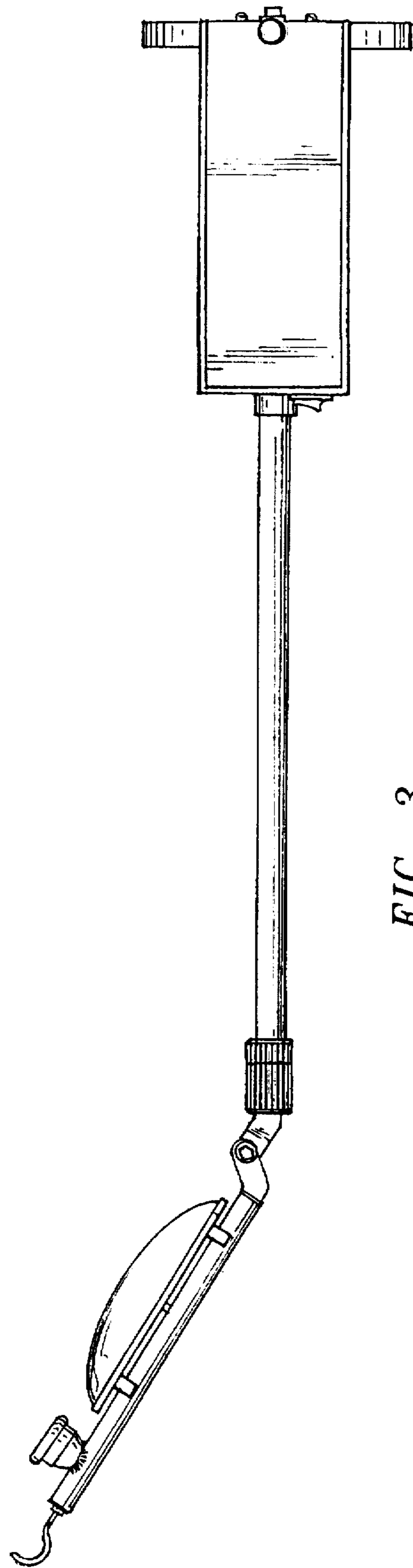


FIG. 3

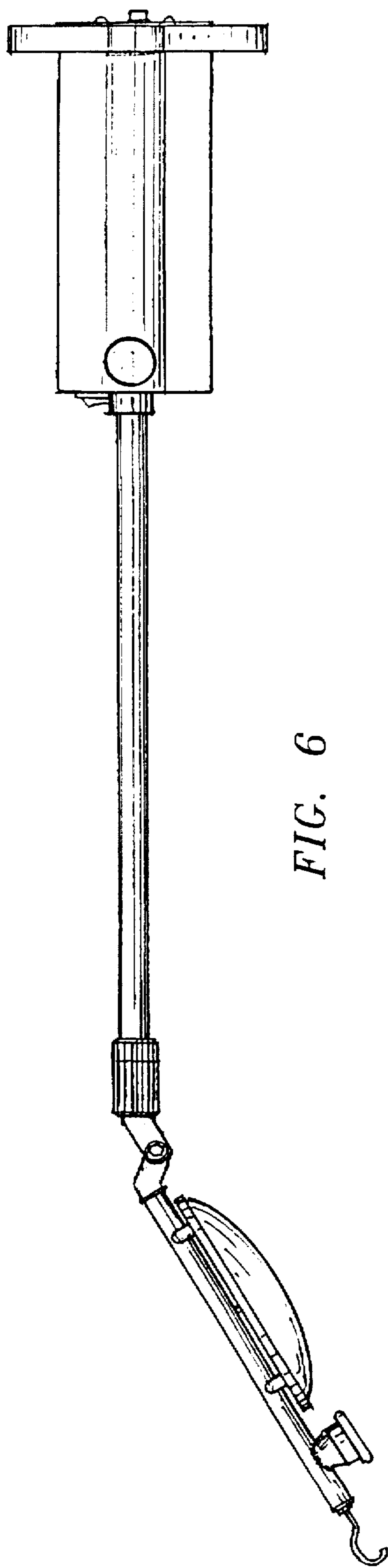


FIG. 6

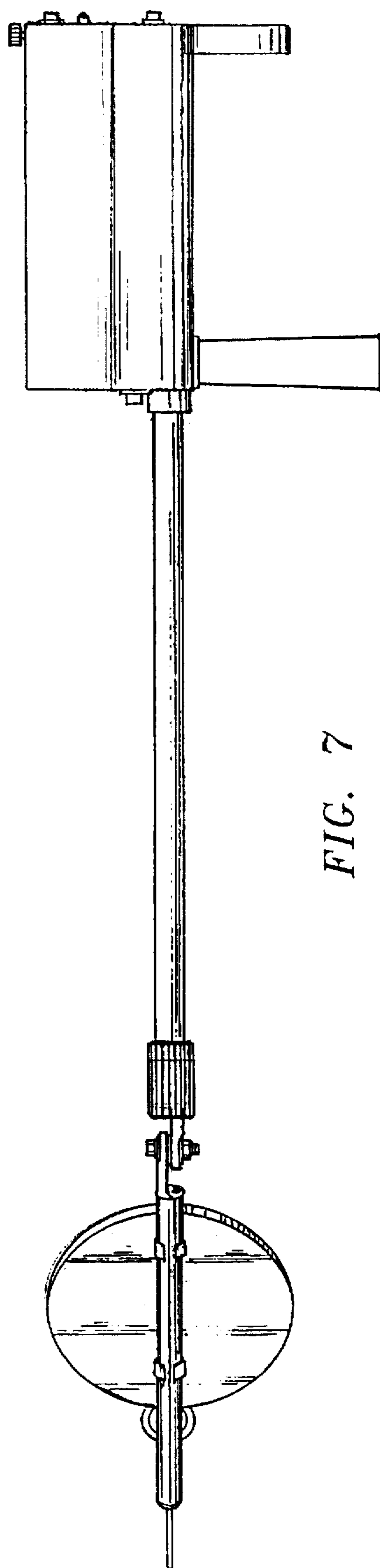


FIG. 7