



US00D396616S

United States Patent [19]
McCallum

[11] **Patent Number: Des. 396,616**

[45] **Date of Patent: **Aug. 4, 1998**

[54] **COMBINED GARBAGE DISPOSAL WRENCH AND INSTALLATION TOOL**

5,647,253 7/1997 Pozek 81/176.2 X

[76] **Inventor: John H. McCallum, 2344 Via Miraleste, Palm Springs, Calif. 92262**

Primary Examiner—Sandra L. Morris
Assistant Examiner—Richelle Shelton

[**] **Term: 14 Years**

[57] **CLAIM**

The ornamental design for a combined garbage disposal wrench and installation tool, as shown.

[21] **Appl. No.: 72,746**

[22] **Filed: Jun. 24, 1997**

DESCRIPTION

[51] **LOC (6) Cl. 08-05**

[52] **U.S. Cl. D8/22**

[58] **Field of Search D8/14, 21-29; 7/138; 81/119, 176.1, 176.15, 176.2**

FIG. 1 is a top, front and side perspective view of a combined garbage disposal wrench and installation tool, embodying my new design;

FIG. 2 is a top plan view thereof;

FIG. 3 is a bottom plan view thereof; and

FIG. 4 is a left side elevational view thereof;

FIG. 5 is a right side elevational view thereof;

FIG. 6 is a rear elevational view thereof; and,

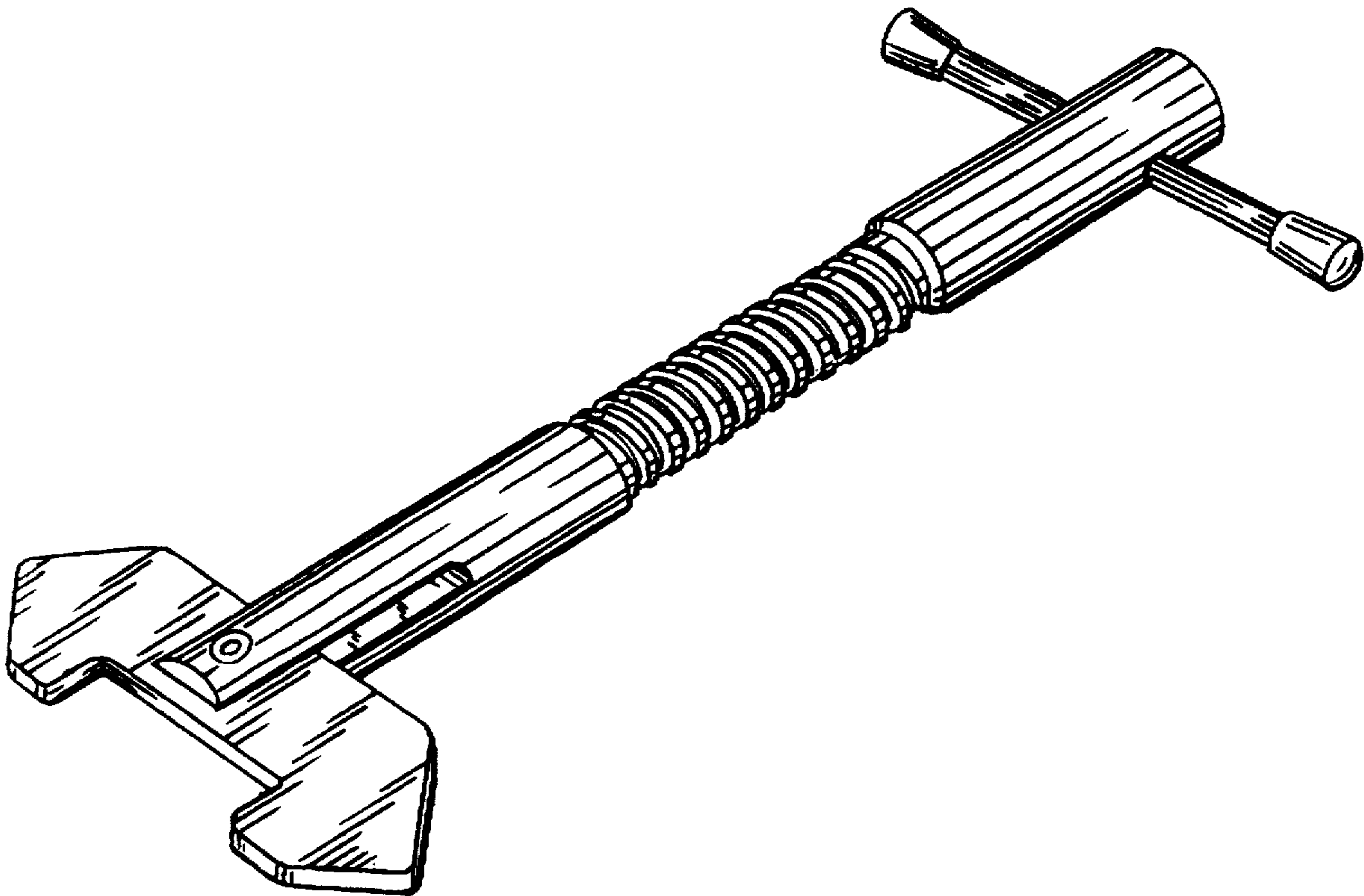
FIG. 7 is a front elevational view thereof.

[56] **References Cited**

U.S. PATENT DOCUMENTS

- D. 374,383 10/1996 Malak D8/21
- 1,397,876 11/1921 Meldal 81/176.15 X
- 1,745,310 1/1930 Novick 81/176.15

1 Claim, 3 Drawing Sheets



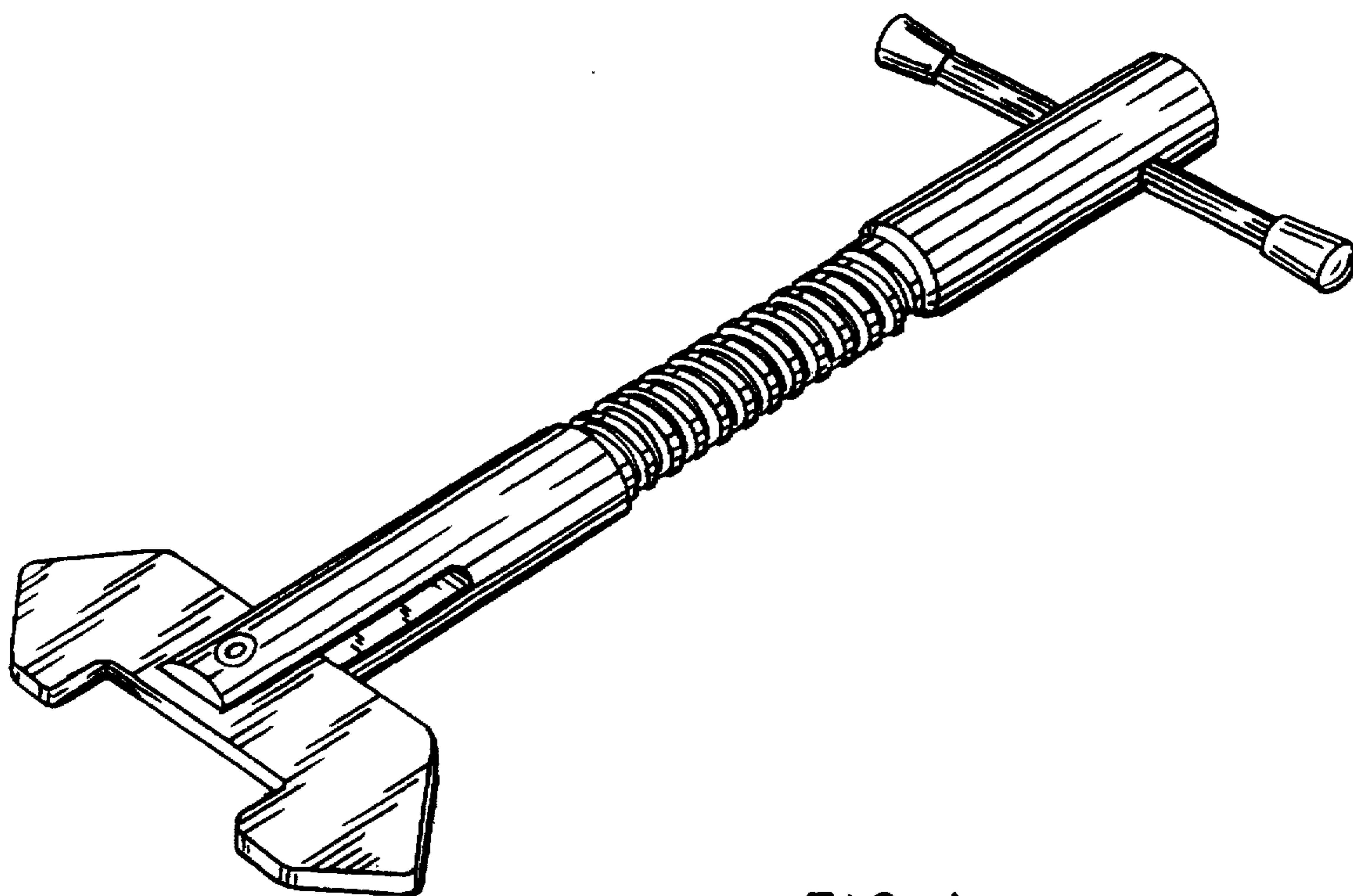


FIG. 1

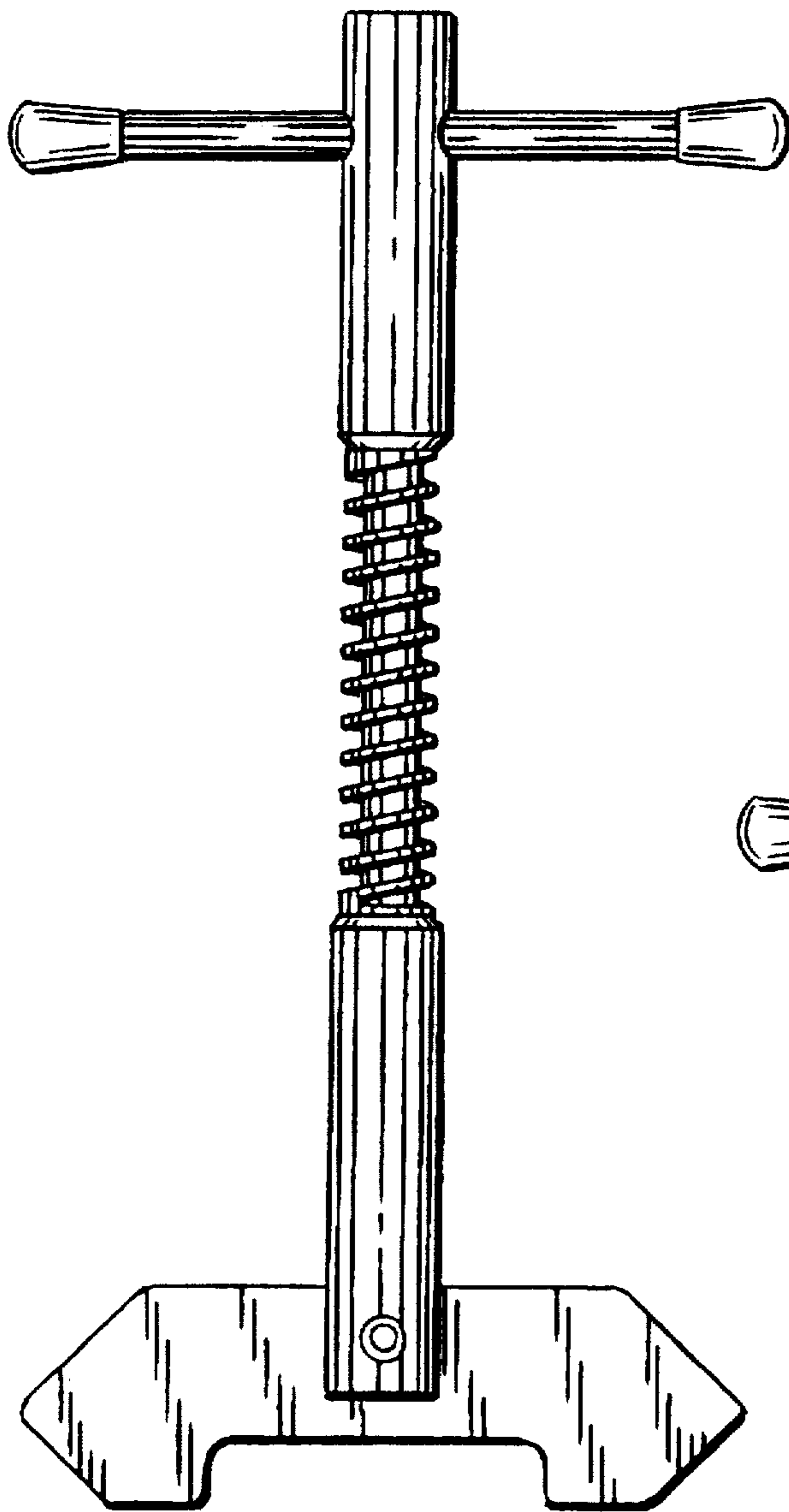


FIG. 2

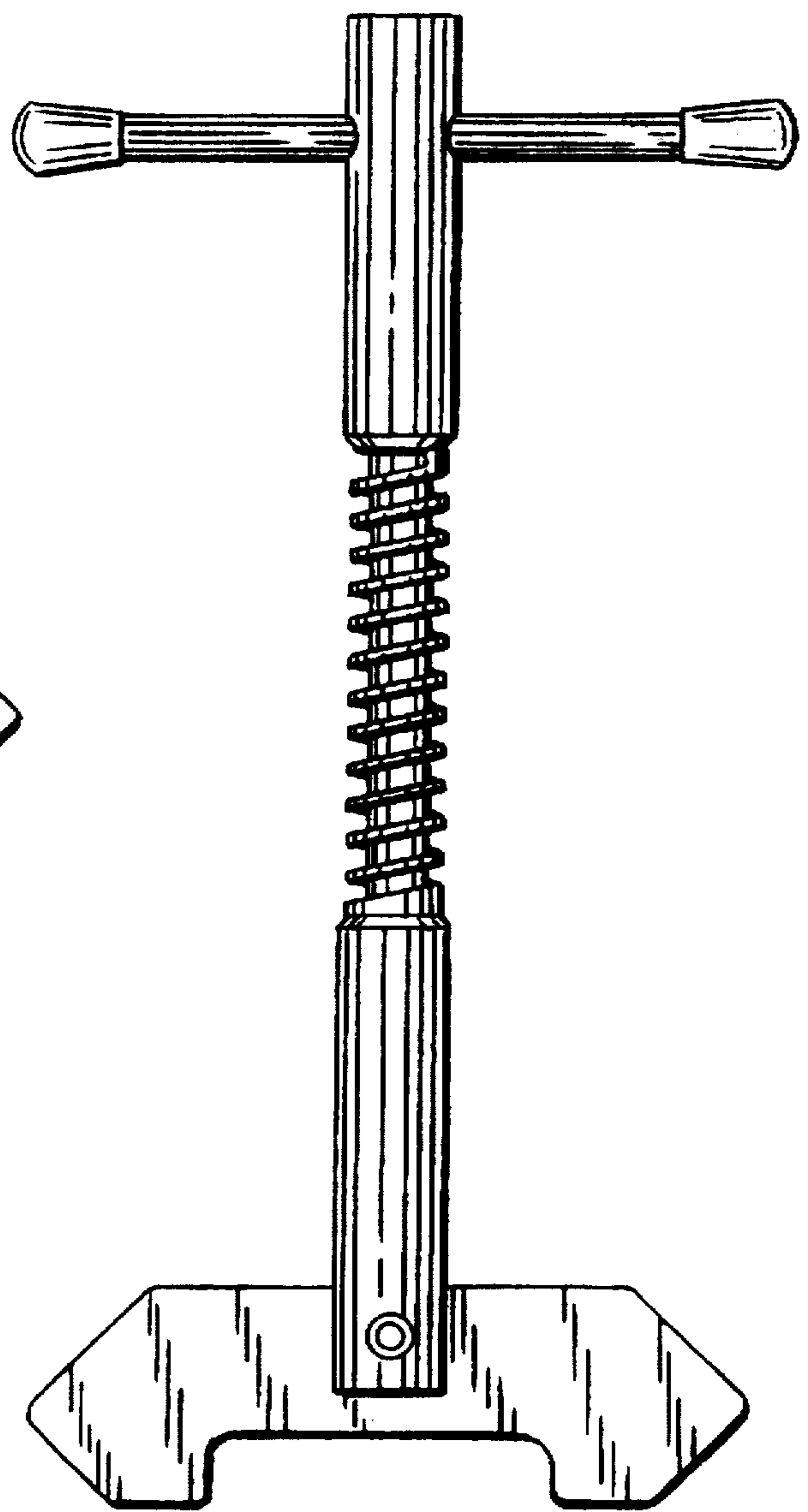


FIG. 3

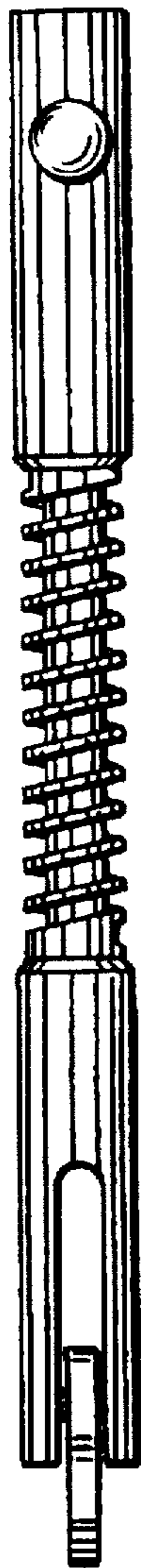


FIG. 4

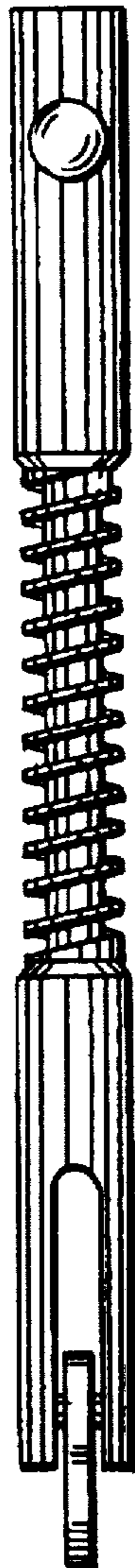


FIG. 5



FIG. 6



FIG. 7