



US00D396614S

United States Patent [19] Cousins

[11] Patent Number: **Des. 396,614**

[45] Date of Patent: ****Aug. 4, 1998**

[54] **SPAGHETTI GRABBER**

2,810,957 10/1957 Nelson D7/691 X
5,255,439 10/1993 Liss .

[75] Inventor: **Morison S. Cousins**, Winter Park, Fla.

Primary Examiner—Terry A. Wallace
Attorney, Agent, or Firm—John A. Doninger

[73] Assignee: **Dart Industries Inc.**, Orlando, Fla.

[**] Term: **14 Years**

[57] **CLAIM**

[21] Appl. No.: **76,344**

The ornamental design for a spaghetti grabber, as shown and described.

[22] Filed: **Sep. 8, 1997**

DESCRIPTION

[51] **LOC (6) Cl.** **07-06**

[52] **U.S. Cl.** **D7/688; D7/692**

[58] **Field of Search** **D7/688-692; 30/322, 30/323, 324; 294/26, 55.5**

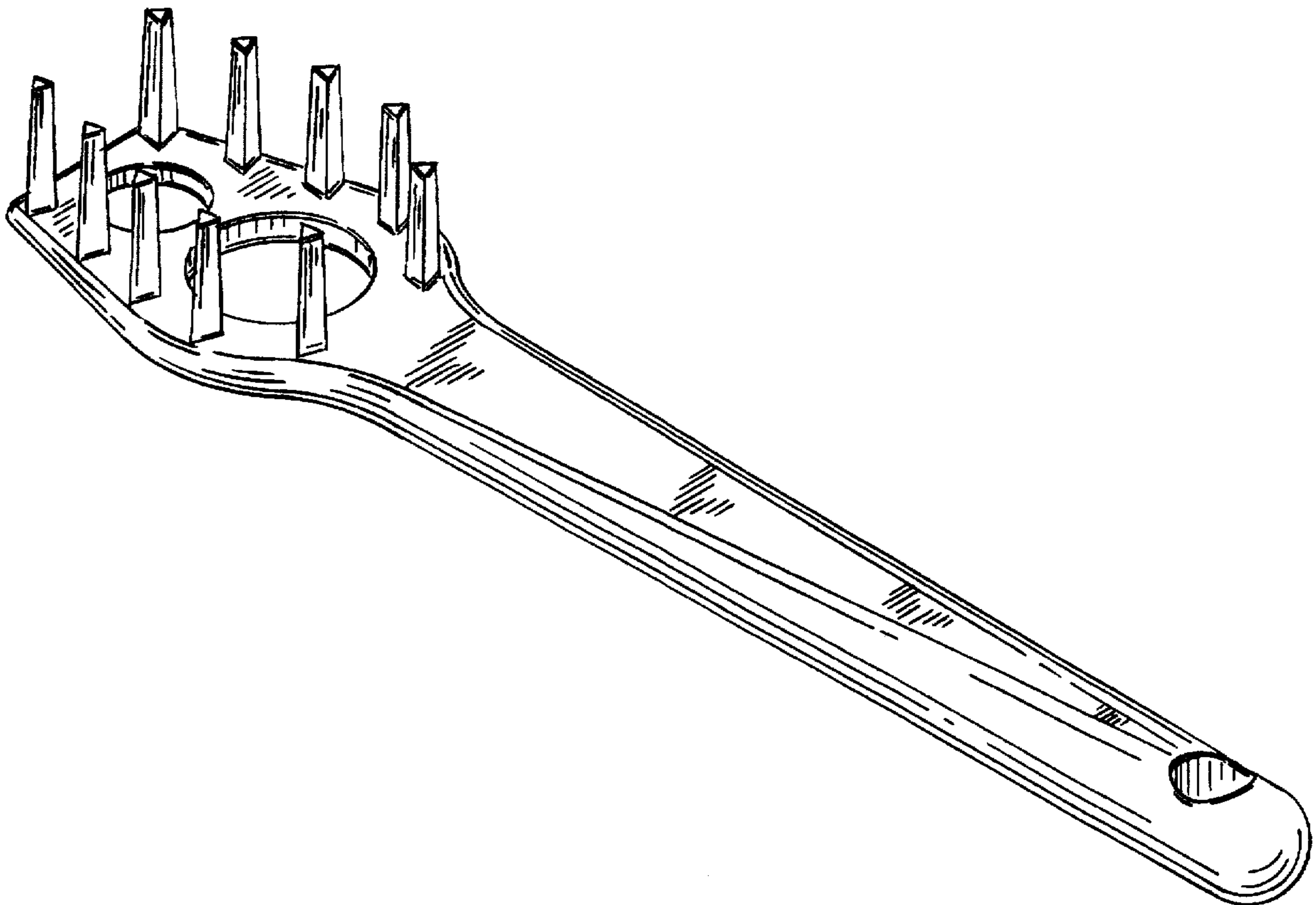
FIG. 1 is a top, side and rear perspective view of a spaghetti grabber showing my new design;
FIG. 2 is a front elevation view thereof;
FIG. 3 is a rear elevation view thereof;
FIG. 4 is a top plan view thereof;
FIG. 5 is a bottom plan view thereof;
FIG. 6 is a left side elevation view thereof; and,
FIG. 7 is a right side elevation view thereof.

[56] **References Cited**

U.S. PATENT DOCUMENTS

- D. 297,092 8/1988 Leung .
- 2,664,630 1/1954 Lawson .
- 2,775,477 12/1956 Inouye D7/688 X

1 Claim, 3 Drawing Sheets



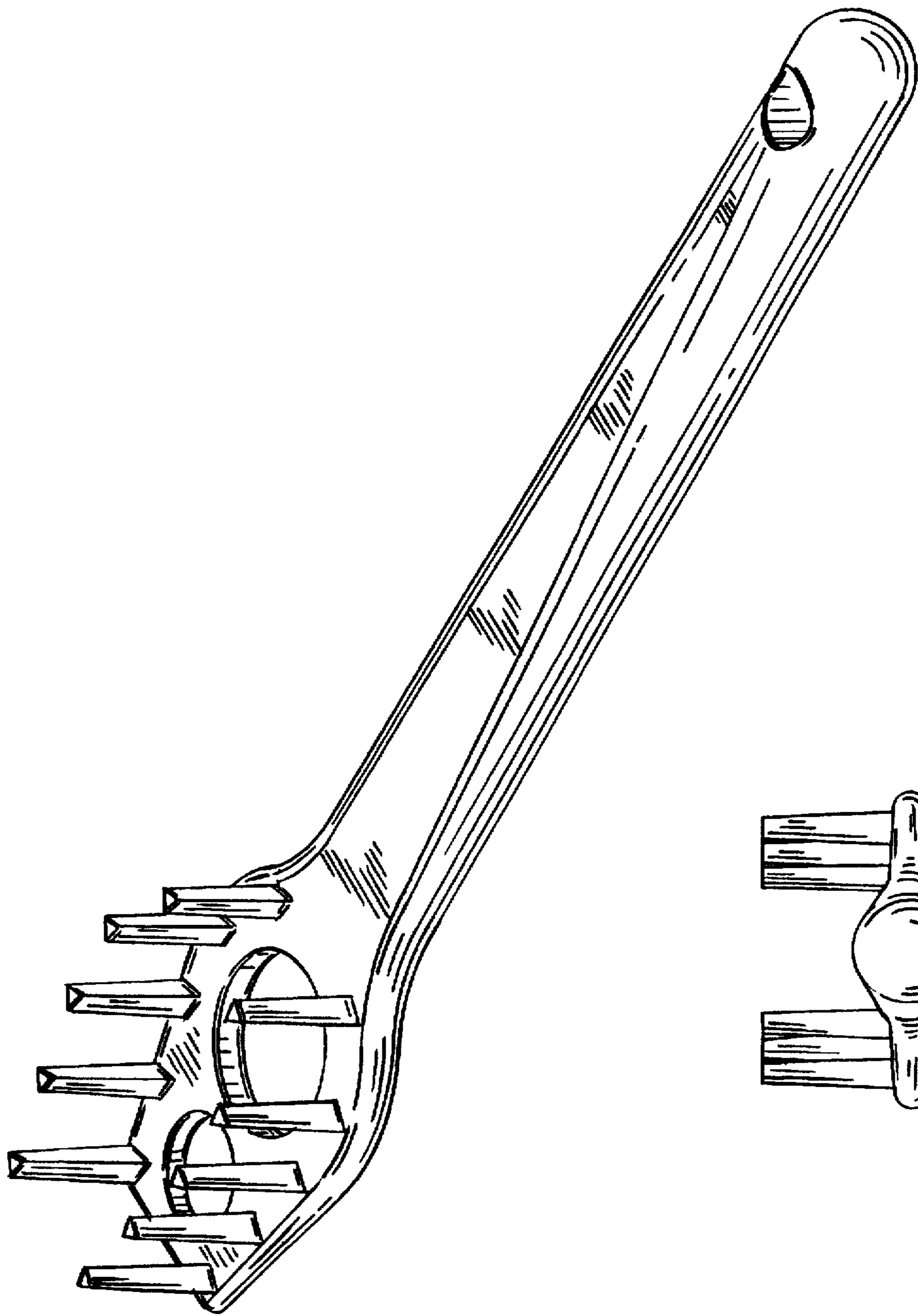


FIG. 1

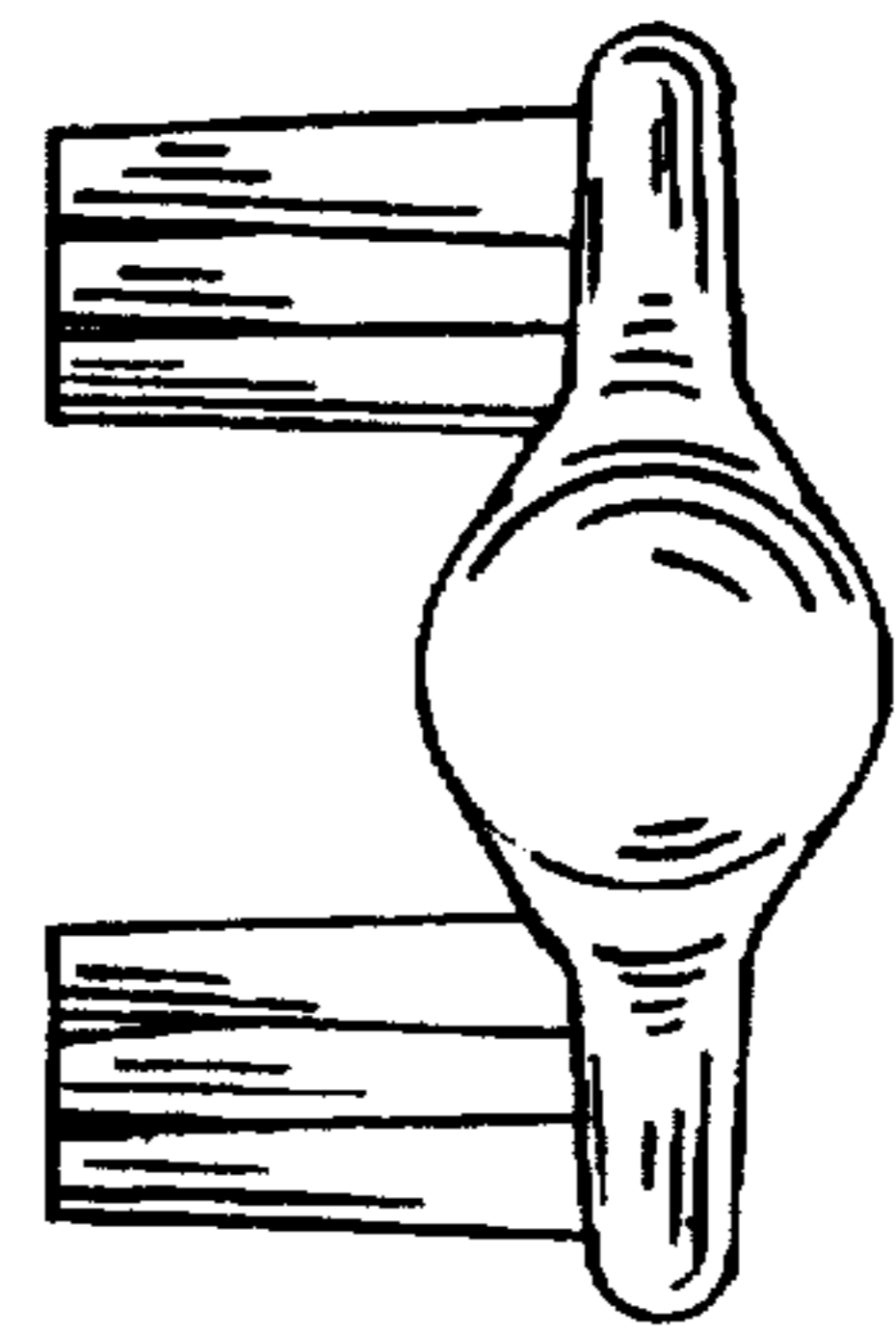


FIG. 2

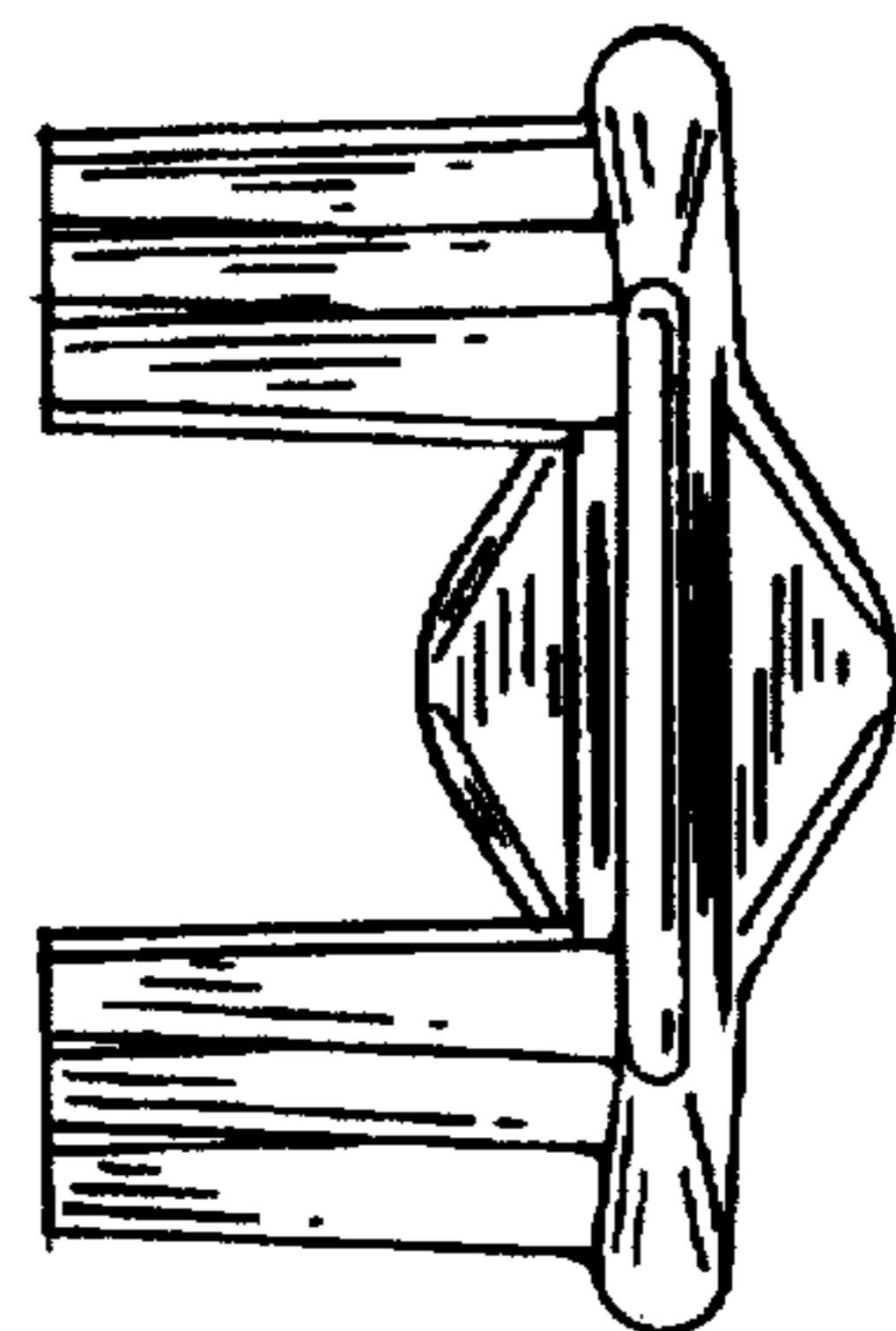


FIG. 3

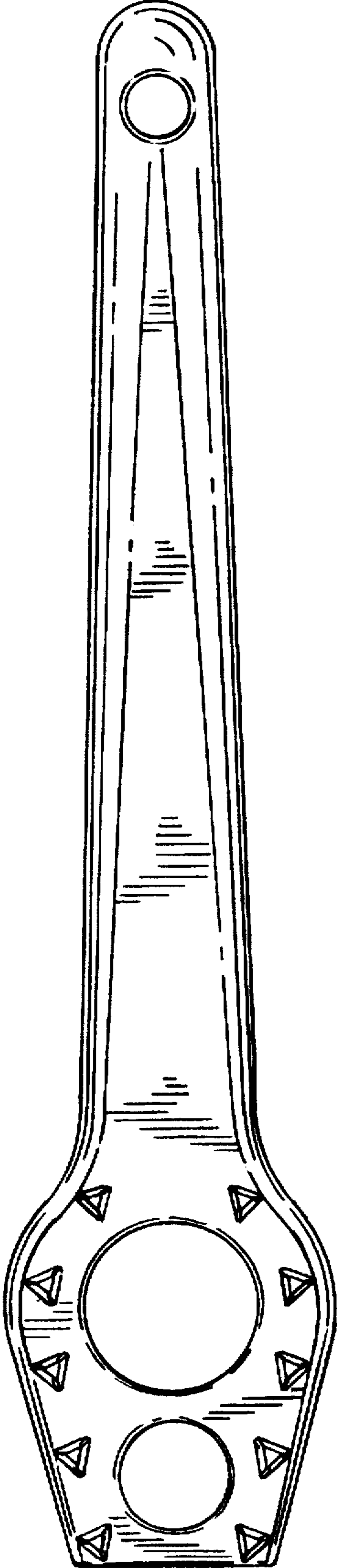


FIG. 4

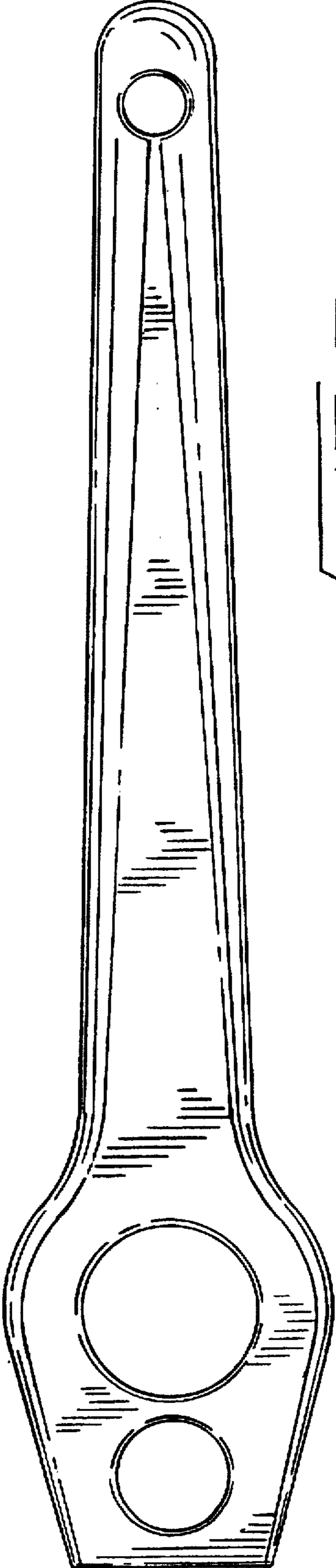


FIG. 5

FIG. 6

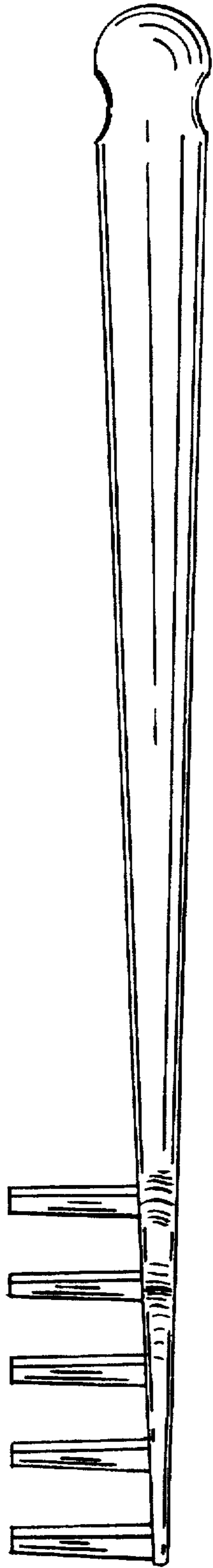


FIG. 7

