



US00D396608S

United States Patent [19]
Stokes

[11] **Patent Number: Des. 396,608**

[45] **Date of Patent: **Aug. 4, 1998**

[54] **CUTLERY SUPPORT BLOCK**

[75] **Inventor: Andrew John Stokes, Sheffield, England**

[73] **Assignee: McPherson's Limited, Victoria, Australia**

[**] **Term: 14 Years**

[21] **Appl. No.: 77,948**

[22] **Filed: Oct. 15, 1997**

[30] **Foreign Application Priority Data**

Jul. 15, 1997 [GB] United Kingdom 2067364

[51] **LOC (6) Cl. 06-04**

[52] **U.S. Cl. D7/637**

[58] **Field of Search D7/637-641; D19/75, D19/77, 81, 85; 206/553; 211/60.1, 70.6, 70.7**

[56] **References Cited**

U.S. PATENT DOCUMENTS

D. 368,412 4/1996 Lin D7/637

Primary Examiner—Terry A. Wallace
Attorney, Agent, or Firm—Trexler, Bushnell, Giangiorgi & Blackstone, Ltd.

[57] **CLAIM**

The ornamental design for a cutlery support block, as shown and described.

DESCRIPTION

FIG. 1 is a perspective view of a cutlery support block showing my new design;

FIG. 2 is a right side elevational view of the cutlery support block;

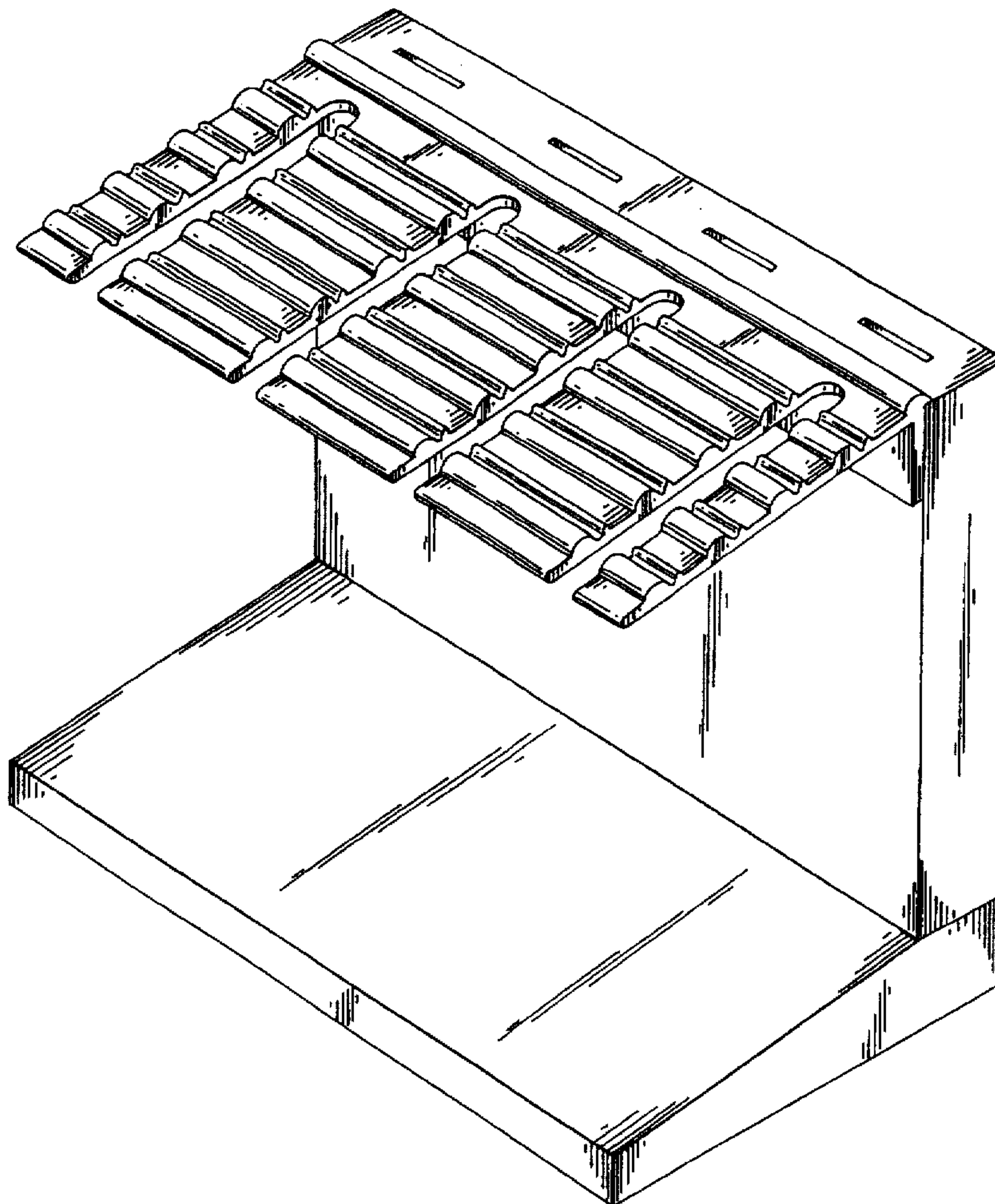
FIG. 3 is a front elevational view of the cutlery support block;

FIG. 4 is a top plan view of the cutlery support block;

FIG. 5 is a bottom plan view of the cutlery support block; and,

FIG. 6 is a left side elevational view of the cutlery support block.

1 Claim, 6 Drawing Sheets



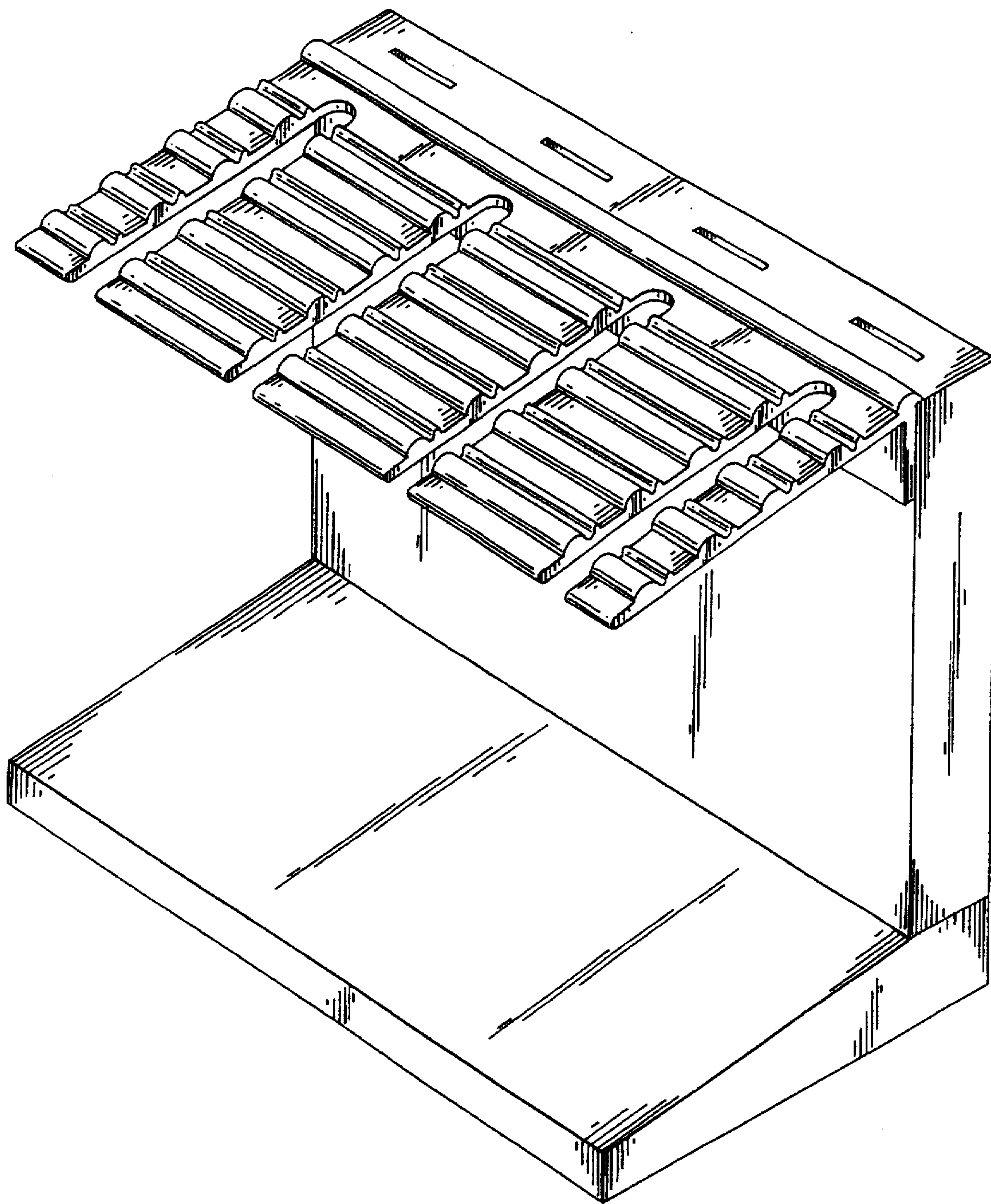


Fig. 1

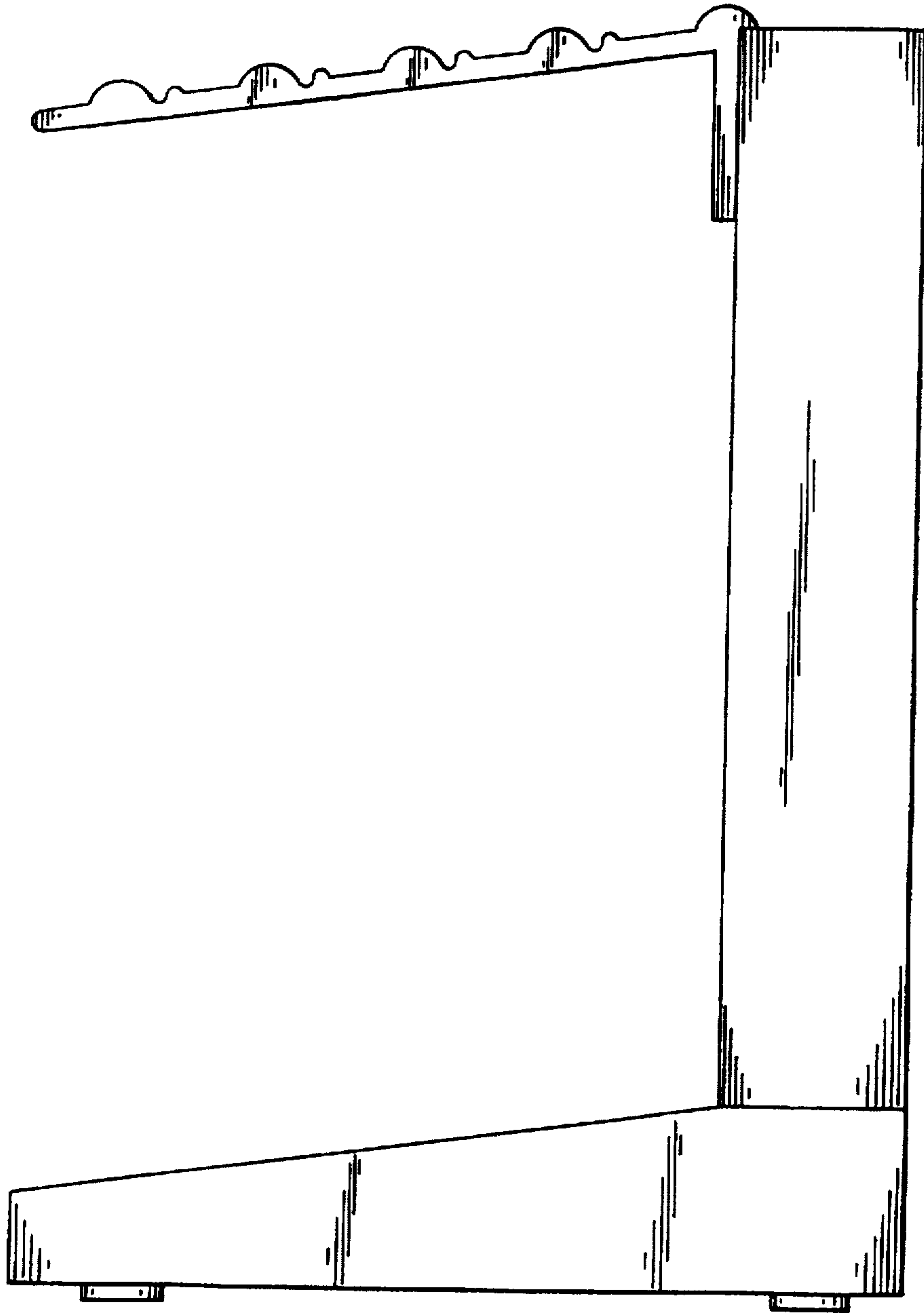


Fig. 2

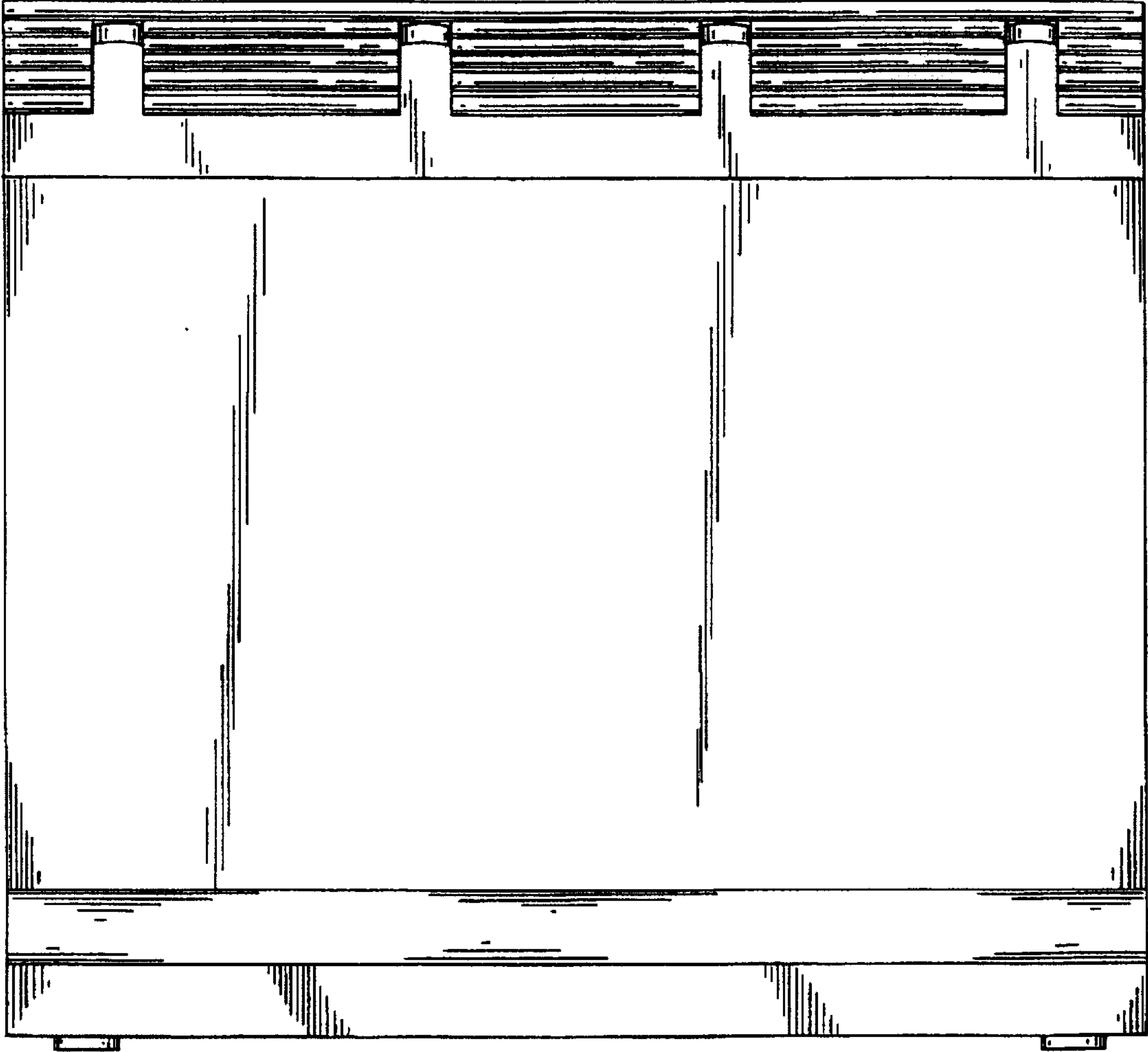


Fig. 3

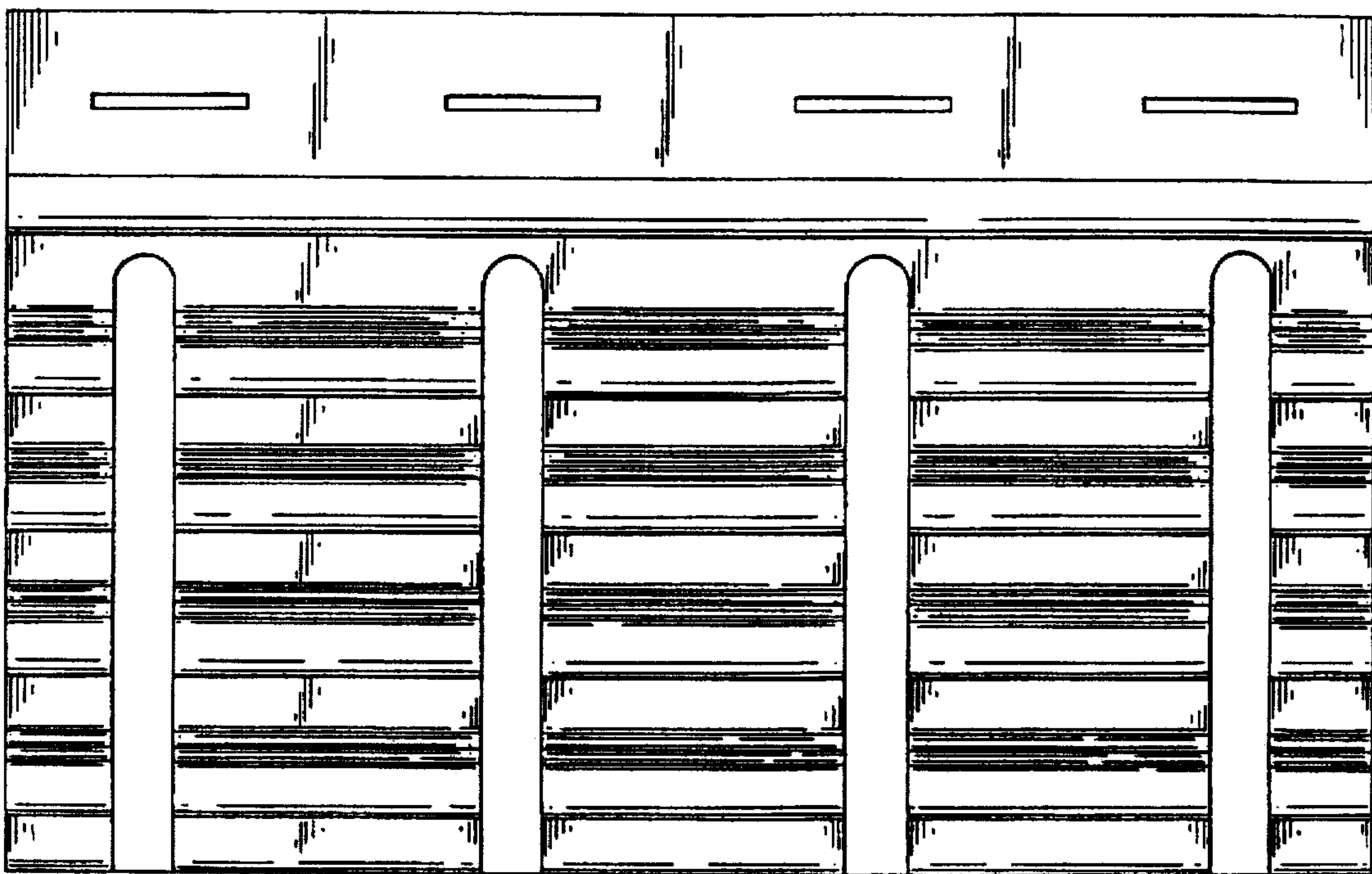


Fig. 4

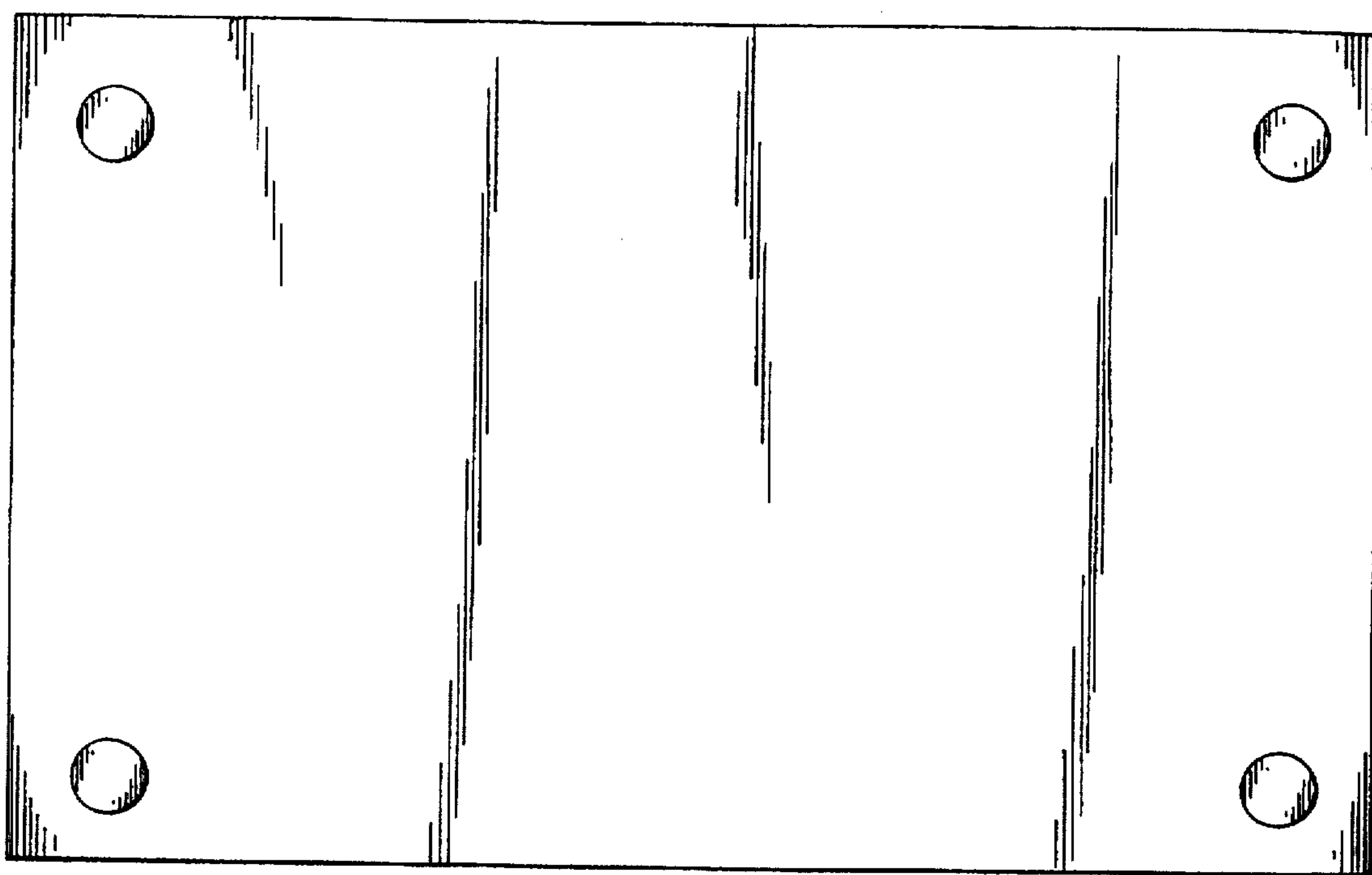


Fig. 5

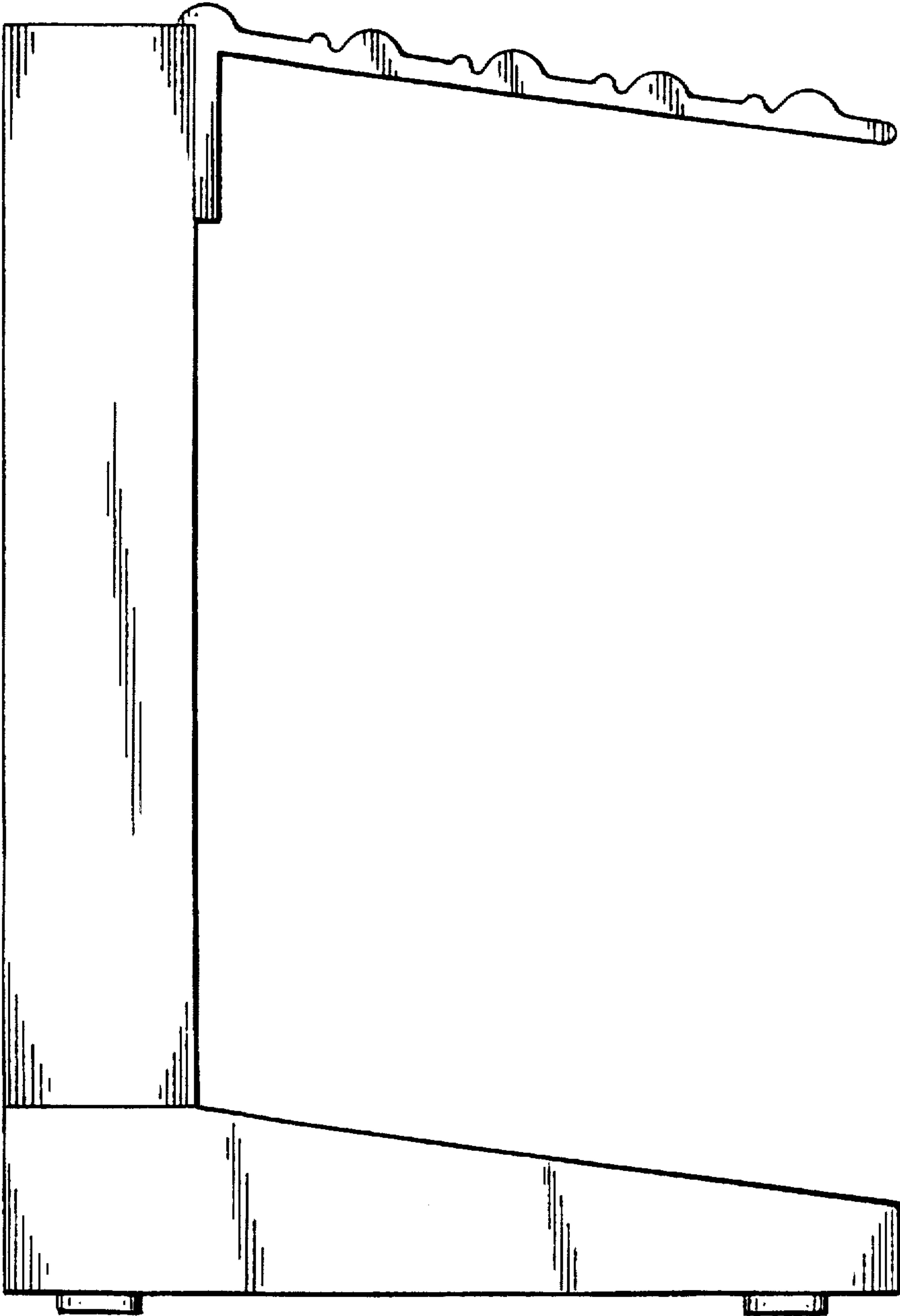


Fig. 6