



US00D396606S

United States Patent [19]
Blazevich

[11] **Patent Number:** **Des. 396,606**
[45] **Date of Patent:** ****Aug. 4, 1998**

[54] **SERVING TRAY WITH SHRIMP**
[75] **Inventor:** **John Z. Blazevich, San Pedro, Calif.**
[73] **Assignee:** **ZB Industries, Inc., San Pedro, Calif.**
[**] **Term:** **14 Years**

4,865,219 9/1989 Logan et al. .
4,899,881 2/1990 Girard et al. .
4,989,419 2/1991 Brando et al. .
4,991,713 2/1991 Phillips .
5,139,166 8/1992 Smith .
5,389,768 2/1995 Sarnoff et al. D7/501 X

[21] **Appl. No.:** **59,932**
[22] **Filed:** **Sep. 18, 1996**
[51] **LOC (6) Cl. 07-01**
[52] **U.S. Cl. D7/553; D7/505; D7/501;**
D1/102
[58] **Field of Search D1/102, 105, 199,**
D1/106, 130; 426/112, 115, 120, 106, 129;
D7/501, 505, 587, 546, 549, 553, 554,
555; 220/575

FOREIGN PATENT DOCUMENTS

397802 3/1909 France .
2 622 551 5/1989 France .
8000159 4/1989 Netherlands .
211382 4/1968 U.S.S.R. .

OTHER PUBLICATIONS

Lazy Susan, Harper's Bazaar, Nov. 1947. p. 147.
Two Photographs of Shrimp Tray #1 (Undated).
Two Photographs of Shrimp Tray #2 (Undated).
Two Photographs of Shrimp Tray #3 (Undated).
Color Photocopy Front and Back of Ocean Jewel Shrimp Ring Carton (Undated).
Photocopy Front/Back of President's Choice Shrimp Ring Carton (Undated).
Photocopy Front/Back of Golden Harbor Shrimp Ring Carton (Undated).
Photocopy Front/Back of Northern King Shrimp Ring Carton (Undated).
Photocopy Front/Back of Mirabel King Prawn Ring Carton (Undated).
The Cooking of Japan by Rafael Steinberg—Time Life Books.
The Cooking of China by Emily Hahn—Time Life books.

[56] **References Cited**

U.S. PATENT DOCUMENTS

D. 72,702 5/1927 Farber D7/546
D. 102,968 10/1937 Farber .
D. 105,367 9/1937 Swordling .
D. 113,856 3/1939 Smith D7/587
D. 198,096 4/1964 Rosenthal et al. D7/505
D. 221,883 9/1971 Cash D7/553
D. 237,344 10/1975 Whitten D7/552
D. 304,658 11/1989 Mattei D7/505
D. 304,659 11/1989 Asner D7/555 X
D. 312,026 11/1990 Antoni et al. .
D. 314,119 1/1991 Kauffman D7/505
D. 336,216 6/1993 Rohrbeck .
D. 342,646 12/1993 Sicard et al. D7/556
D. 352,204 11/1994 Hayes et al. D7/554
D. 356,010 3/1995 McEntee D7/555 X
D. 359,418 6/1995 Sicard et al. D7/549 X
D. 368,409 4/1996 Schwartz D7/555 X
846,948 3/1907 Richter D7/501 X
947,373 1/1910 Coleman, Sr. .
1,234,507 7/1917 Sweers D7/505 X
1,595,356 8/1926 Moseman .
1,805,287 5/1931 Krantz .
1,949,285 2/1934 Porter .
2,034,478 3/1936 Levy .
2,561,022 7/1951 Jones D7/555 X
2,732,696 1/1956 Baker .
2,781,651 2/1957 Cutler .
3,821,061 6/1974 Schier .

Primary Examiner—M. N. Pandozzi
Attorney, Agent, or Firm—Pretty, Schroeder & Poplawski

[57] **CLAIM**

The ornamental design for a serving tray with shrimp, as shown and described.

DESCRIPTION

FIG. 1 is a top perspective view of a serving tray with shrimp showing my new design;
DIG. 2 is a top plan view thereof;
DIG. 3 is a side elevational view thereof;
FIG. 4 is a bottom plan view thereof; and,
FIG. 5 is a sectional view taken along line 5—5 of FIG. 3.

1 Claim, 3 Drawing Sheets

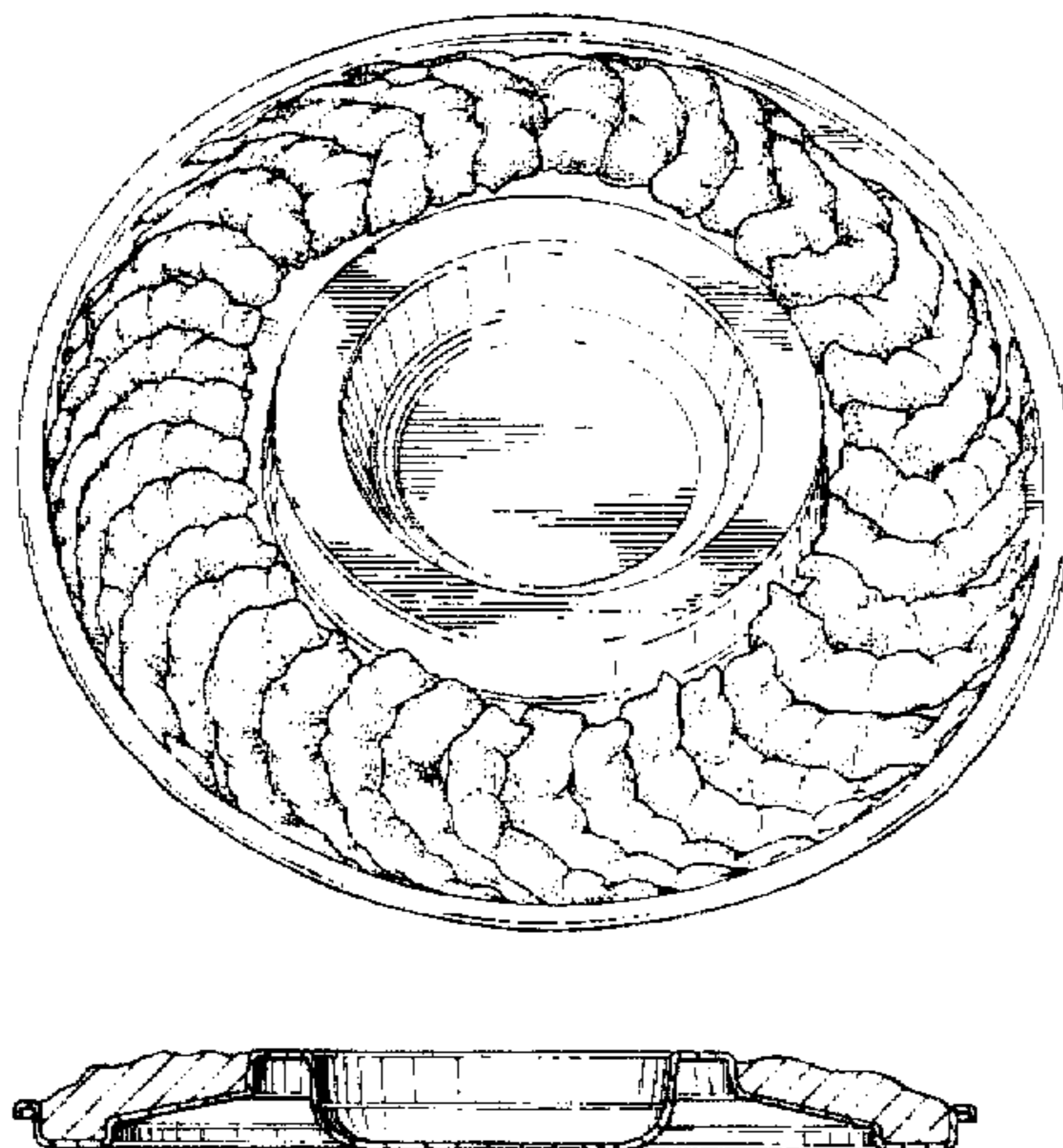


FIG. 1

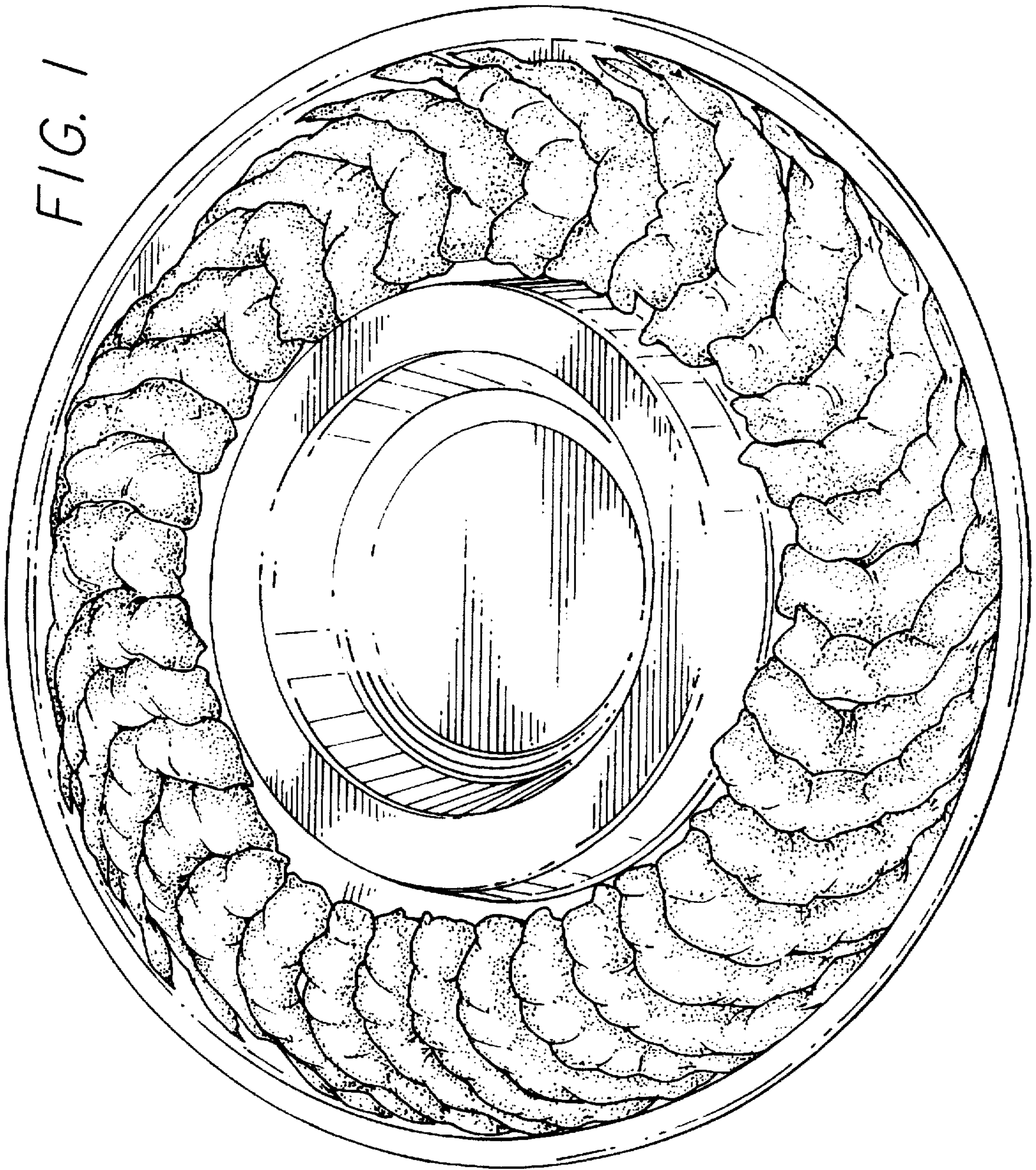


FIG. 2

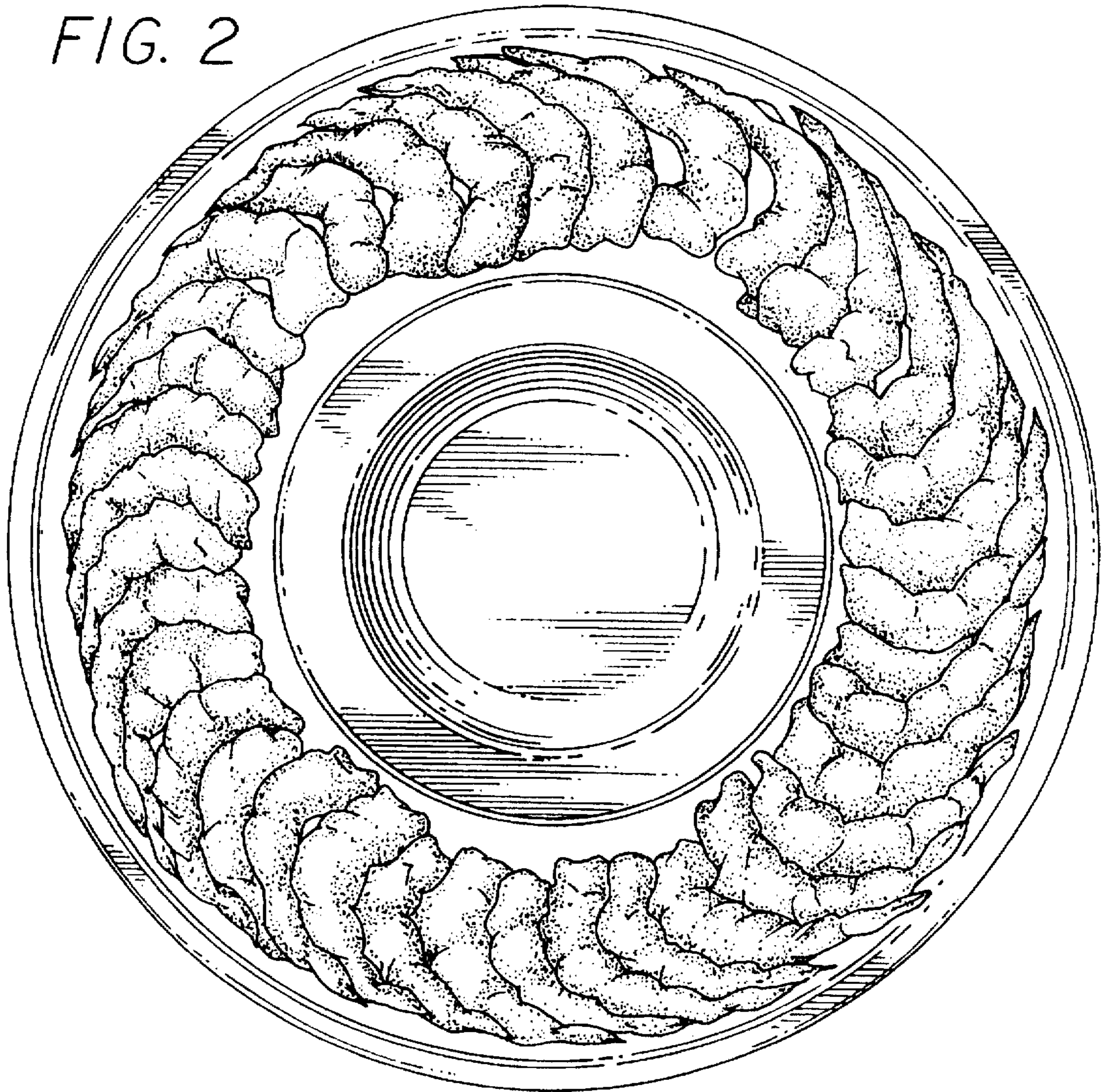


FIG. 3

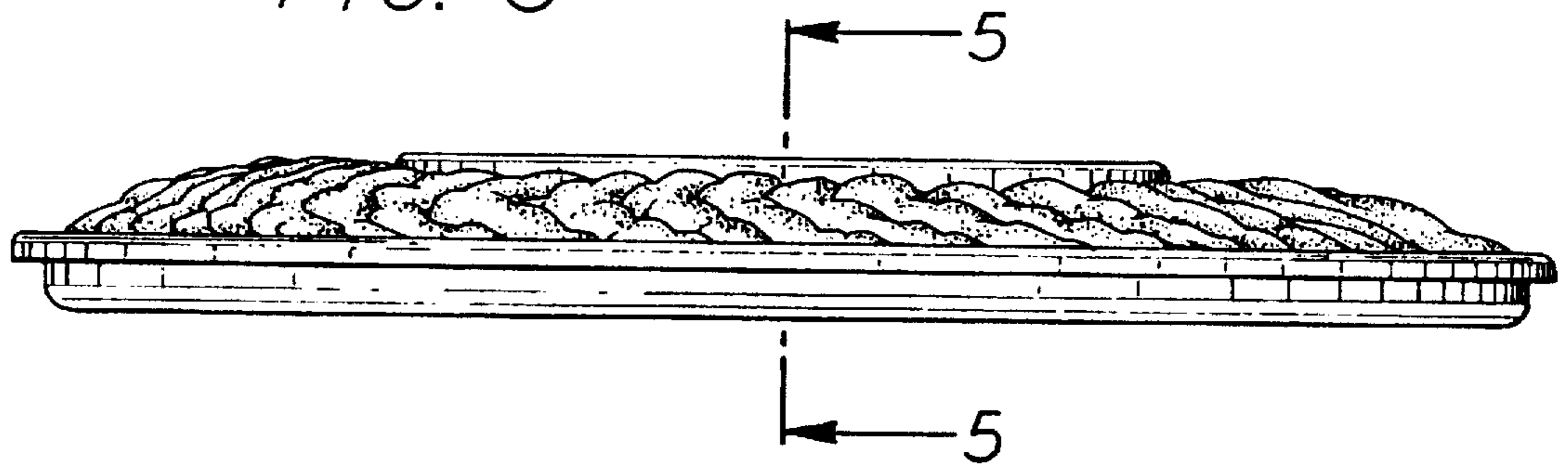


FIG. 4

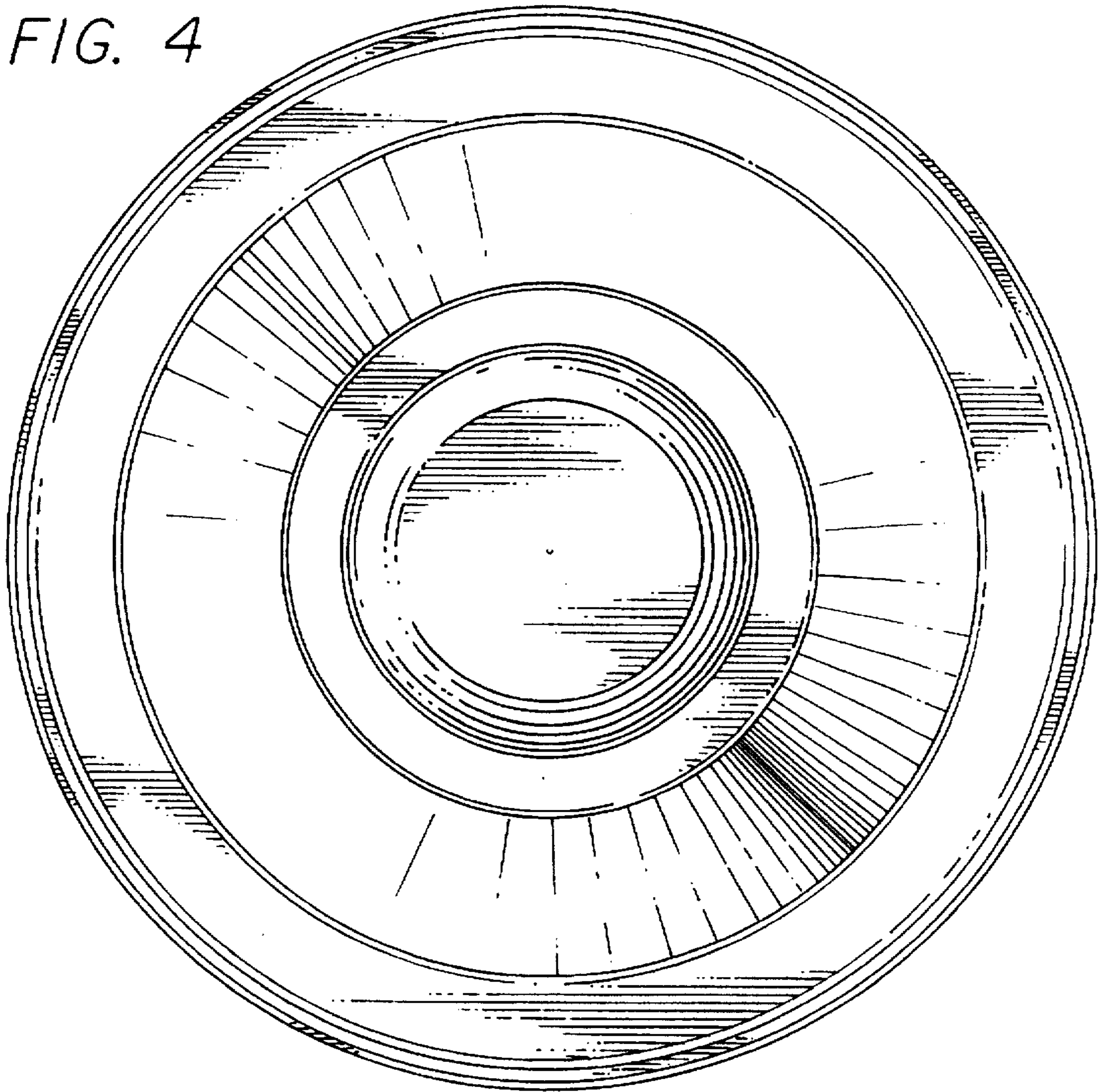


FIG. 5

