

US00D396600S

**United States Patent** [19]  
**Otero**

[11] **Patent Number:** **Des. 396,600**

[45] **Date of Patent:** **\*\*Aug. 4, 1998**

[54] **MULTI-POT FOR MICROWAVE OVENS**  
[75] **Inventor:** **Domingo Villar Otero, Vigo, Spain**  
[73] **Assignee:** **Plasticos de Galicia, S.A., Vigo, Spain**  
[\*\*] **Term:** **14 Years**

*Primary Examiner*—Caron D. Veynar  
*Attorney, Agent, or Firm*—Bucknam and Archer

[57] **CLAIM**

An ornamental design for a multi-pot for microwave ovens, as shown and described.

**DESCRIPTION**

[21] **Appl. No.:** **66,134**  
[22] **Filed:** **Feb. 6, 1997**  
[30] **Foreign Application Priority Data**  
Dec. 19, 1996 [ES] Spain ..... 139016  
[51] **LOC (6) Cl.** ..... **07-02**  
[52] **U.S. Cl.** ..... **D7/356; D7/360**  
[58] **Field of Search** ..... **D7/323, 354-361,**  
**D7/500; 220/428, 912; 99/413, 417**

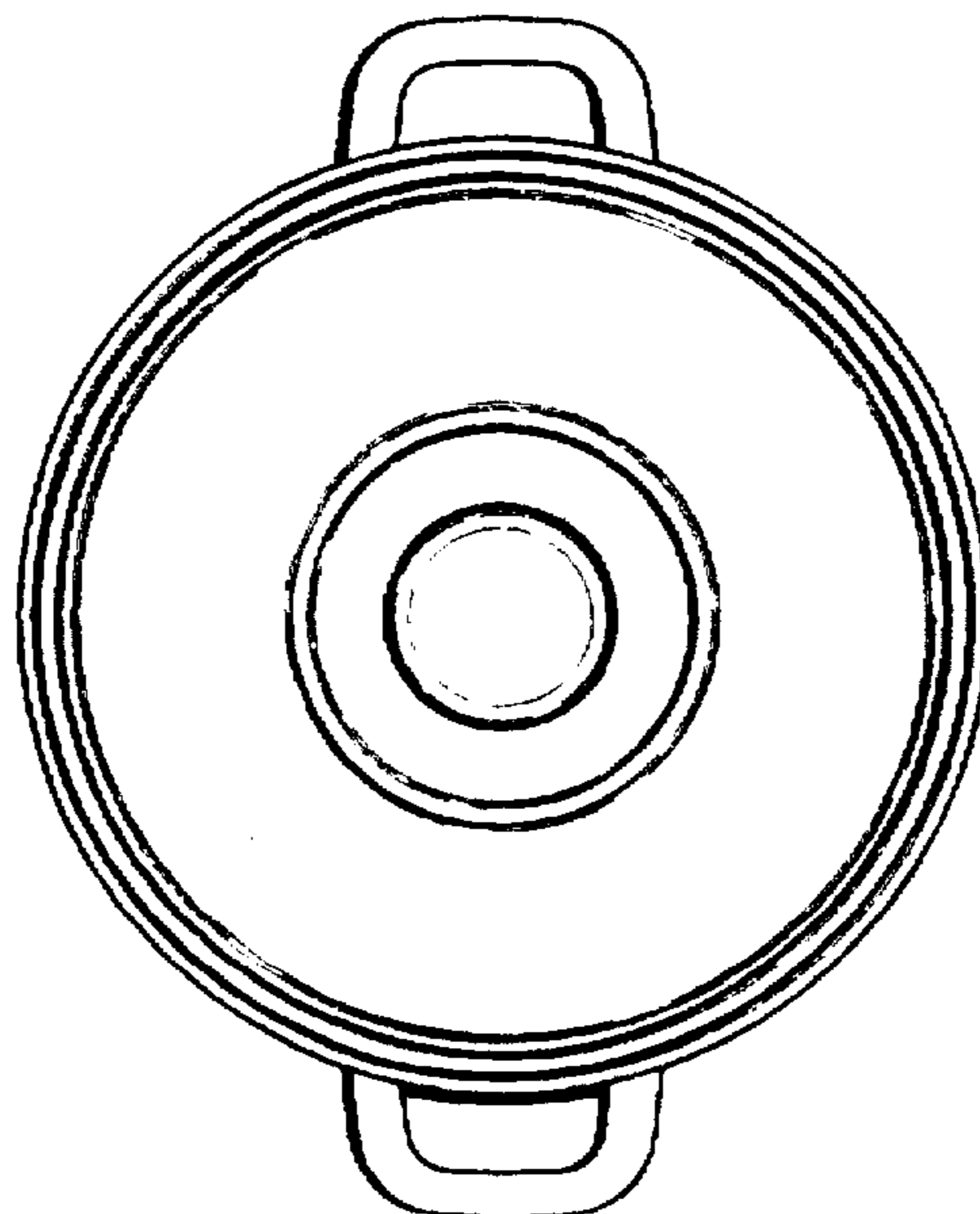
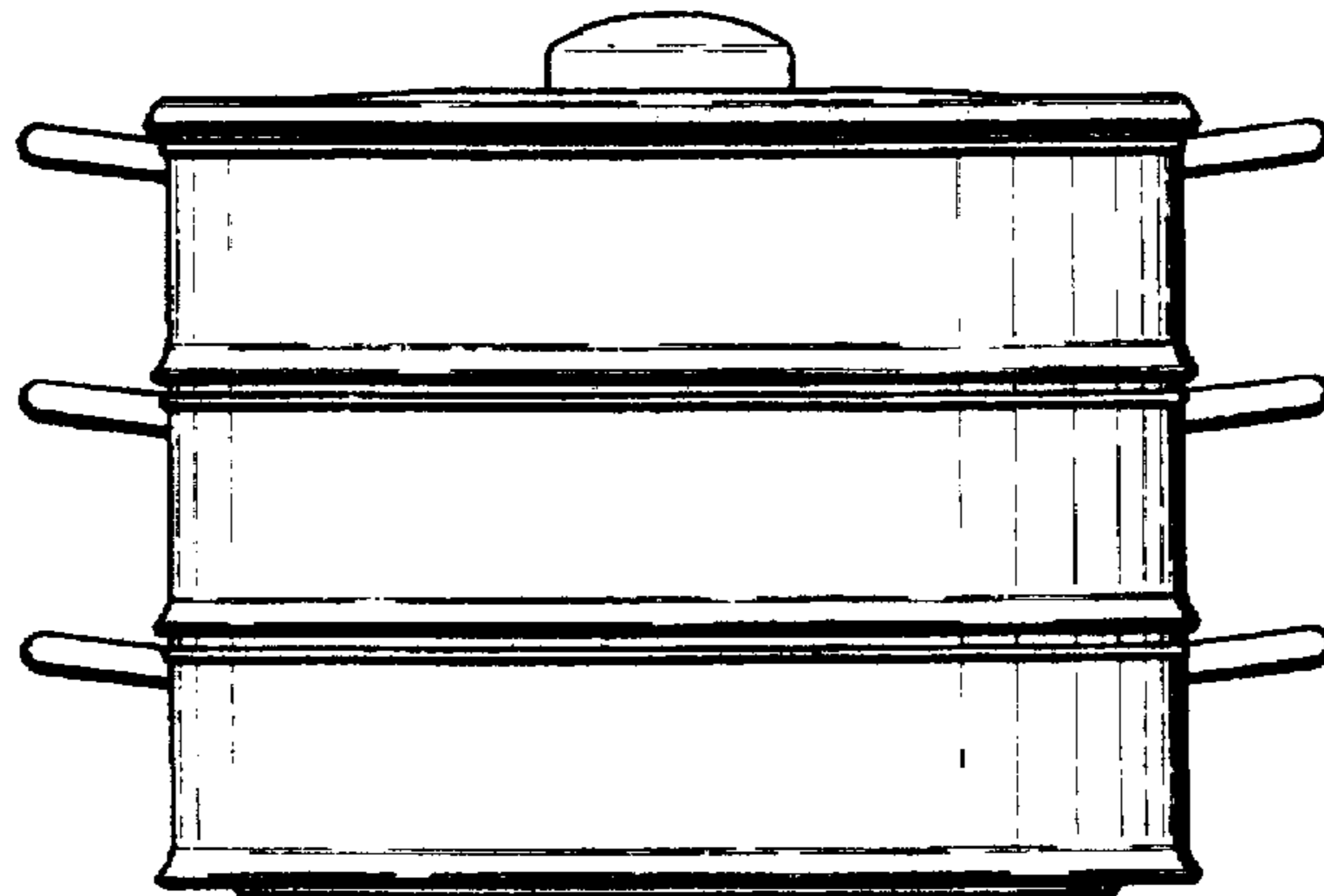
FIG. 1 shows an elevational view of multi-pot of the present invention, taken from one of the sides provided with handles;  
FIG. 2 shows a front elevation view of multi-pot of the present invention;  
FIG. 3 represents a lower plan view of multi-pot of this invention;  
FIG. 4 is an elevational view taken from the back side of multi-pot of the present invention;  
FIG. 5 illustrates an elevational view of multi-pot of the present invention, taken by the side opposed to that of FIG. 1; and,  
FIG. 6 shows an upper plan view of multi-pot of the present invention.

[56] **References Cited**

**U.S. PATENT DOCUMENTS**

D. 281,214	11/1985	Schaller	.....	D7/356
D. 297,100	8/1988	Schaller	.....	D7/356
D. 349,420	8/1994	Hasuike	.....	D7/354 X
5,287,798	2/1994	Takeda	.....	99/413

**1 Claim, 3 Drawing Sheets**



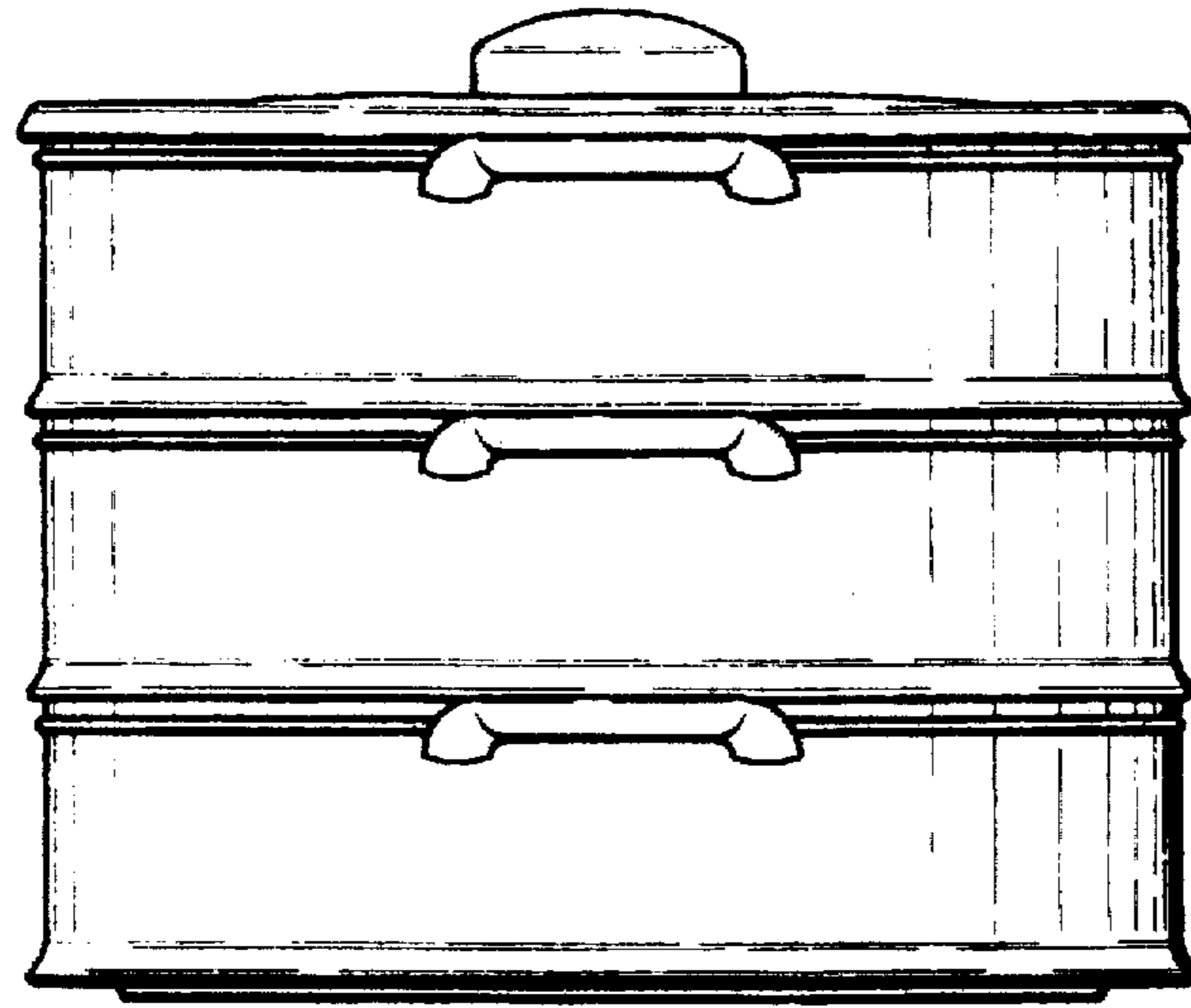


FIG. 1

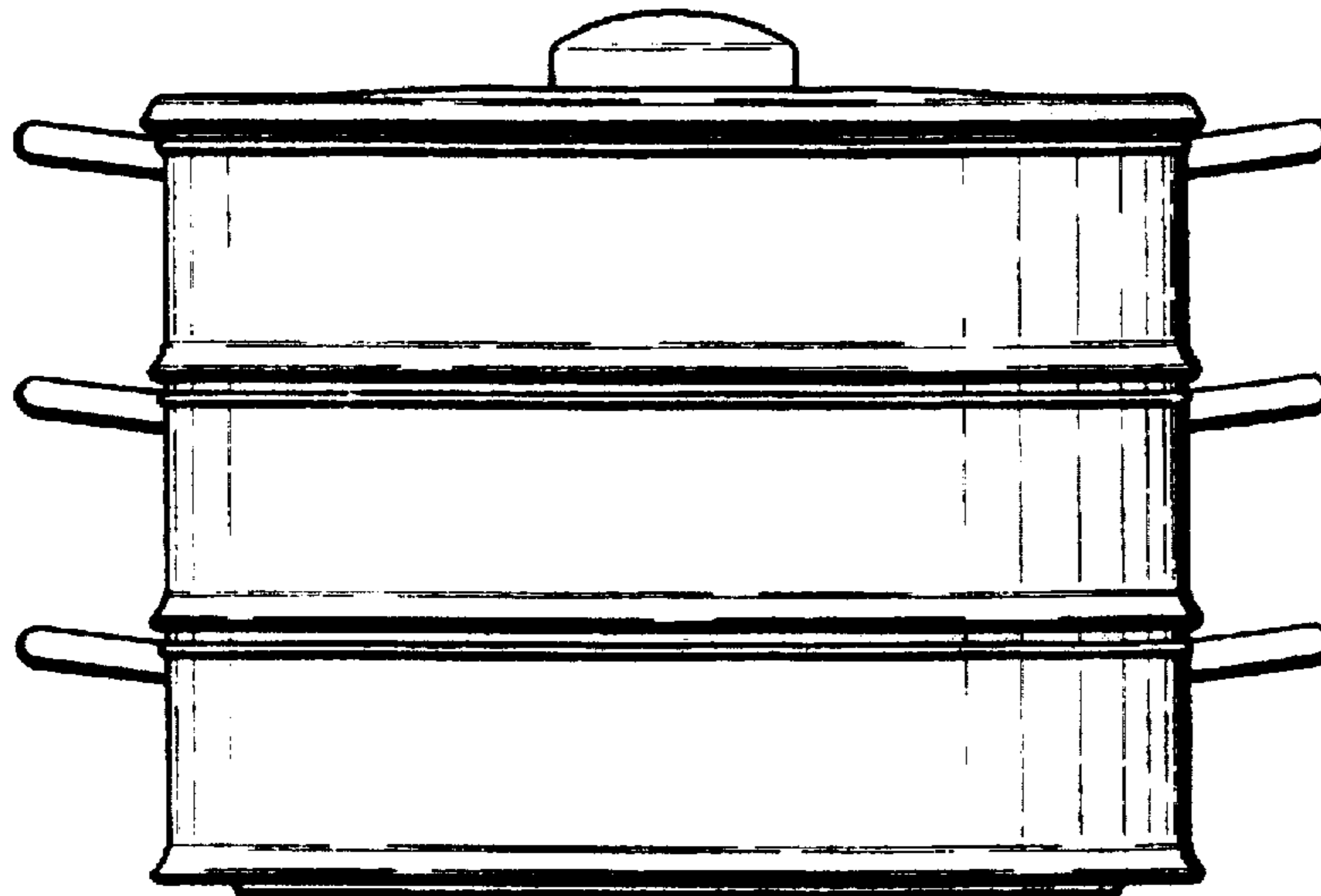


FIG. 2

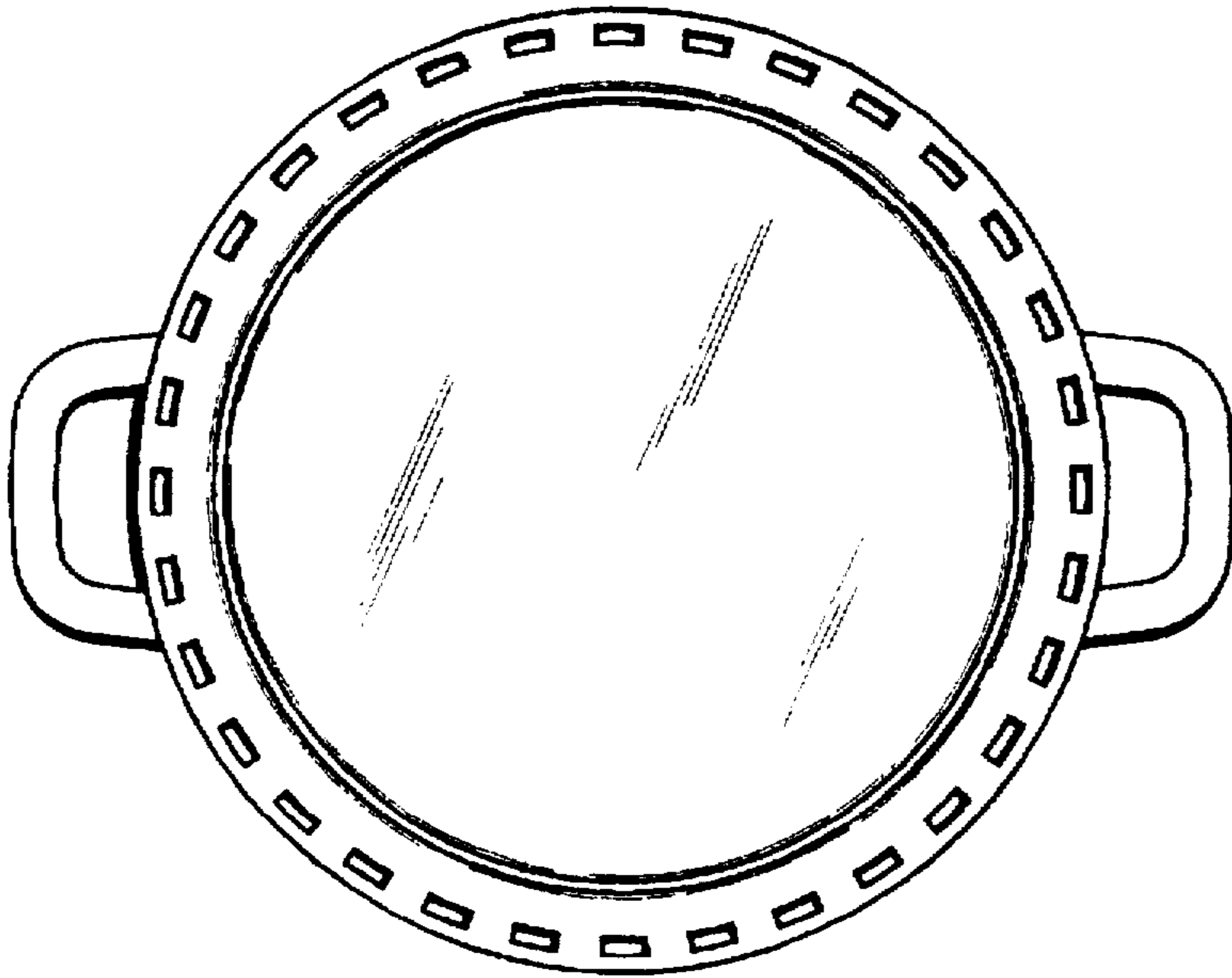


FIG. 3

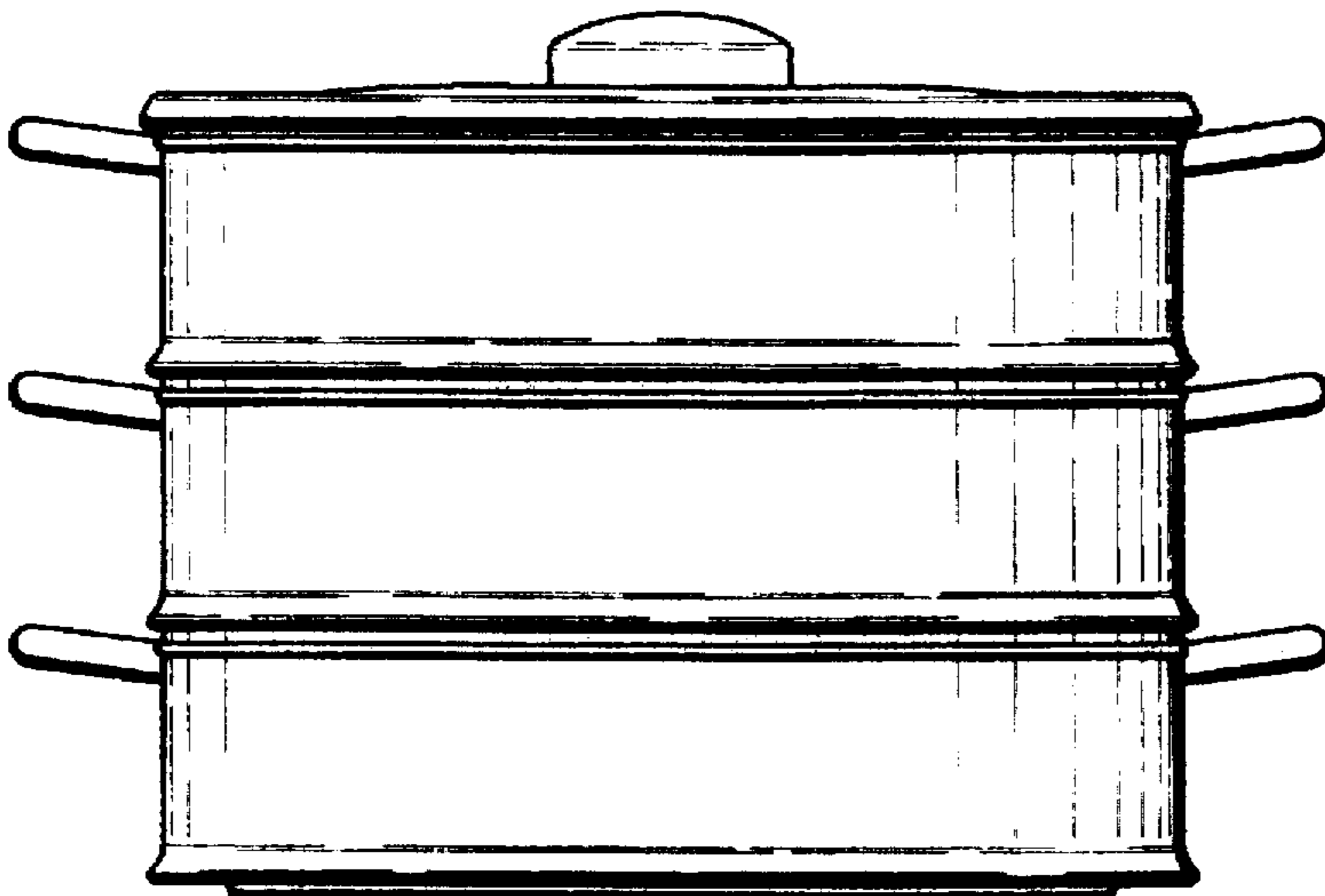


FIG. 4

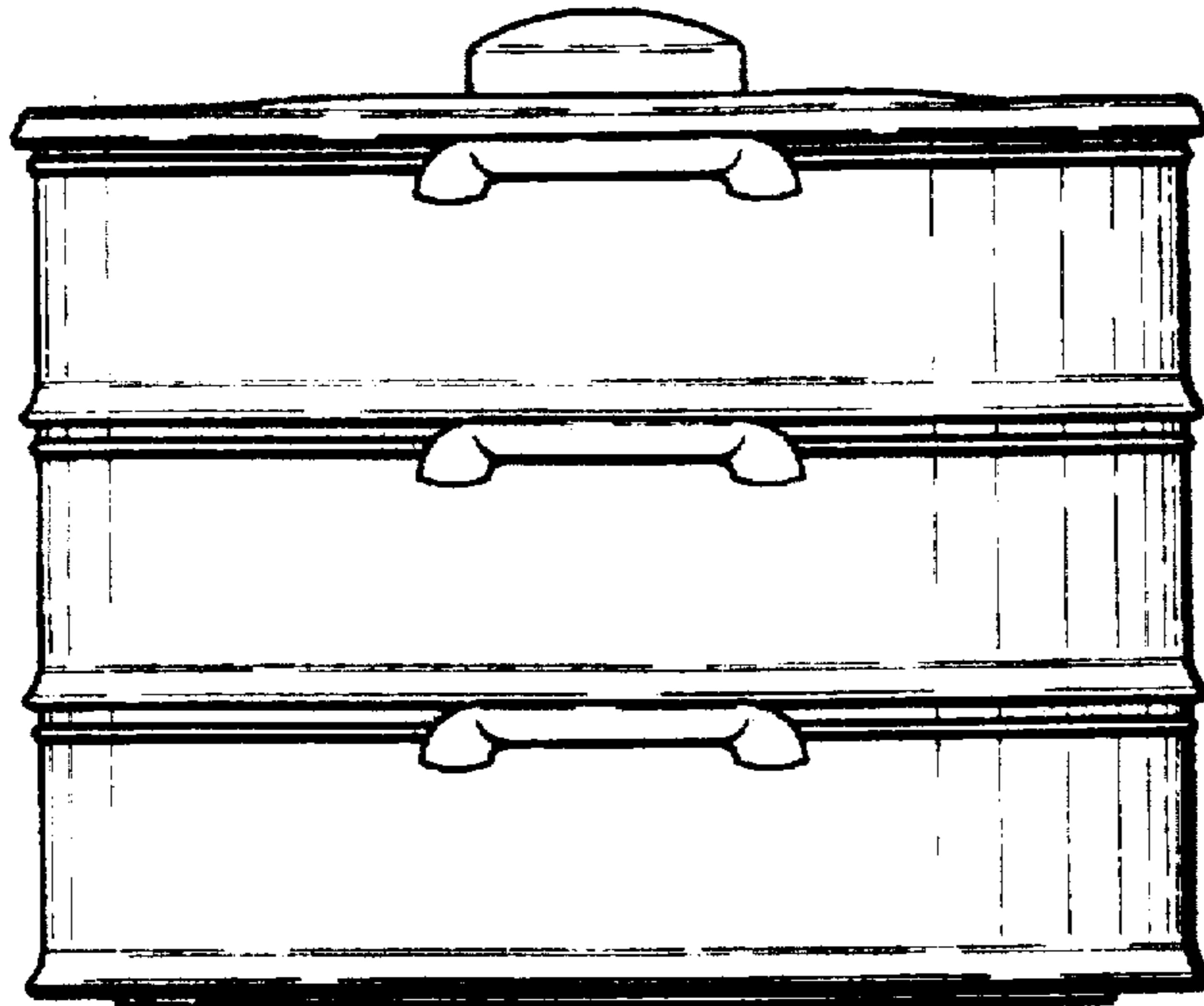


FIG.5

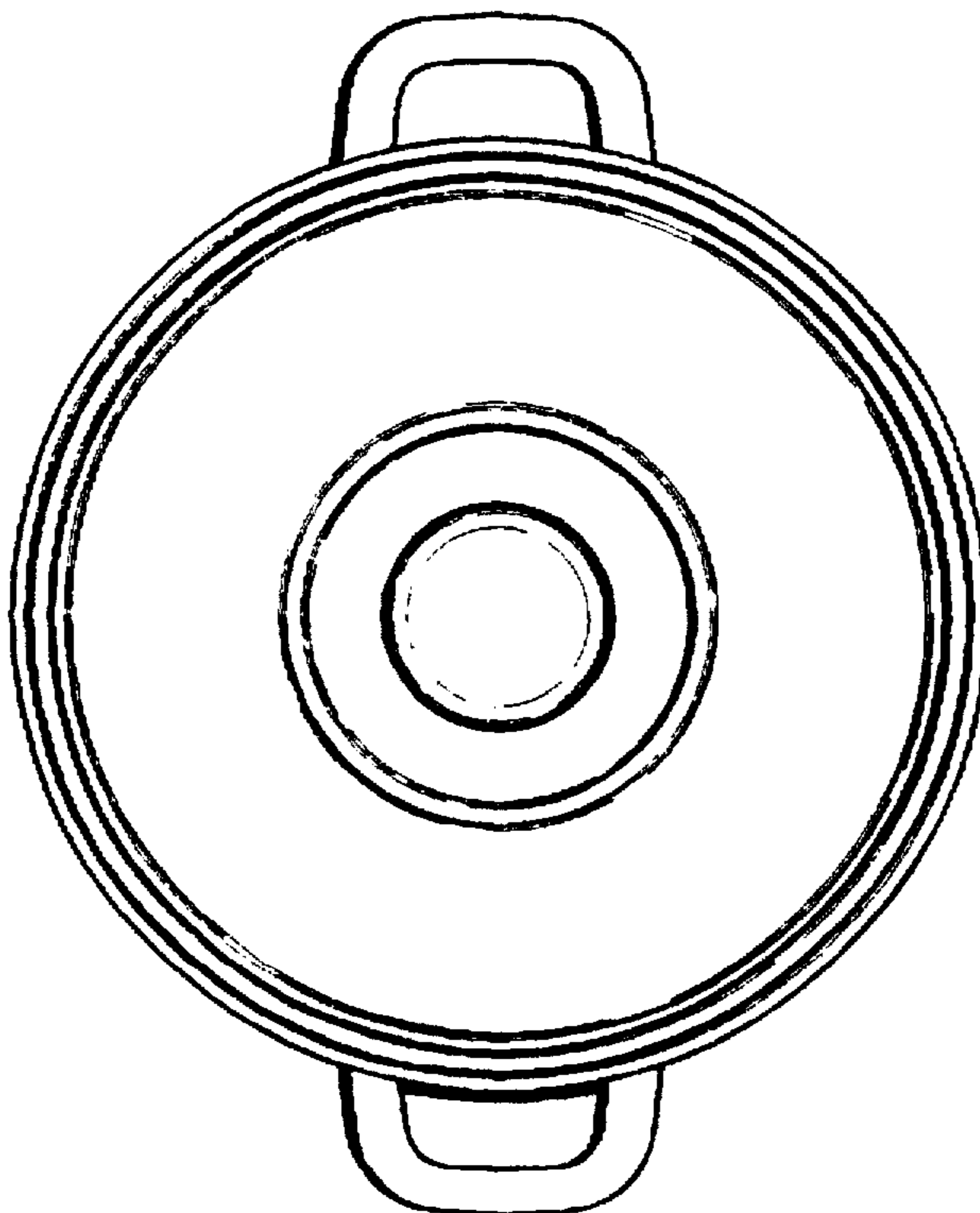


FIG.6