



US00D396596S

United States Patent [19]
Simon

[11] **Patent Number:** **Des. 396,596**
[45] **Date of Patent:** ****Aug. 4, 1998**

[54] **PERSONAL CARE TEXTILE ARTICLE WITH LABEL**

[75] **Inventor:** **Annette Dauphin Simon**, Austin, Tex.

[73] **Assignee:** **Fieldcrest Cannon, Inc.**, Eden, N.C.

[**] **Term:** **14 Years**

[21] **Appl. No.:** **74,250**

[22] **Filed:** **Aug. 1, 1997**

[51] **LOC (6) Cl.** **06-13**

[52] **U.S. Cl.** **D6/608; D20/27**

[58] **Field of Search** **D20/10, 11, 22, D20/19, 27, 40; 40/299, 626, 360, 661.04, 630, 631, 638; D6/595, 596, 601, 602, 603, 608, 616; 15/210.1, 209.1, 208**

[56] **References Cited**

U.S. PATENT DOCUMENTS

4,266	7/1845	Rogers	D20/27	X
D. 317,995	7/1991	Crowley-McGregor	D6/608	
D. 335,760	5/1993	Warren et al.	D20/19	X
D. 382,757	8/1997	Vick	D6/608	
D. 385,742	11/1997	Bird	D6/608	
1,436,365	11/1922	Steinau	D20/40	X
3,442,037	5/1969	Grimm et al.	40/299	
4,584,238	4/1986	Gen et al.	40/638	X
5,326,610	7/1994	Moss	15/208	X
5,639,532	6/1997	Wells	15/208	X

OTHER PUBLICATIONS

"Shape B" label, Ever Ready Label Catalog, p. 17, 1981.
White Multipurpose Self-Adhesive Labels, Miller's Office Products, p. 637, Jan. 4, 1995.

Primary Examiner—Susan J. Lucas
Assistant Examiner—Jennifer Rivand
Attorney, Agent, or Firm—Bell Seltzer Intellectual Property Law Group of Alston & Bird, LLP

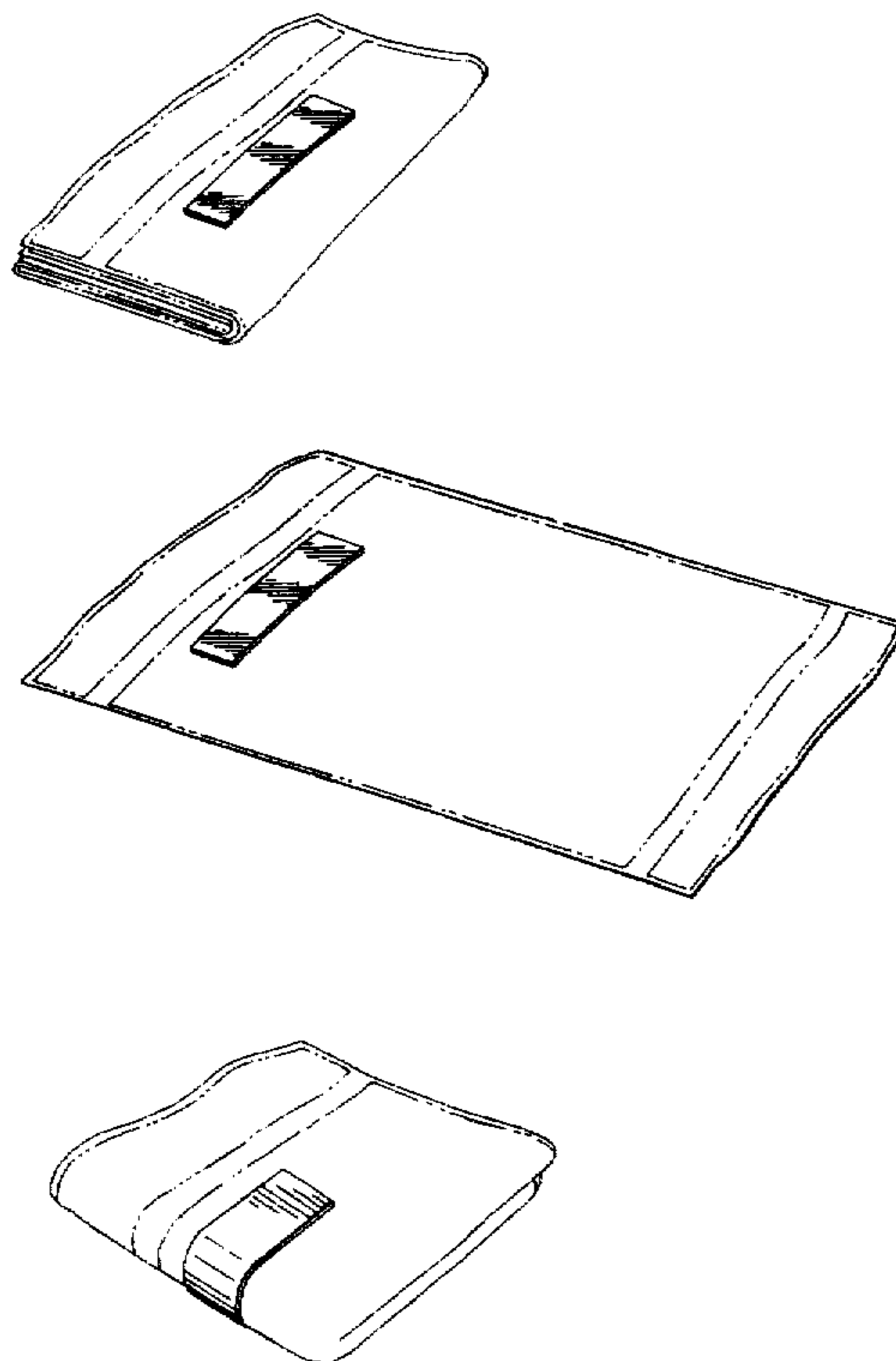
[57] **CLAIM**

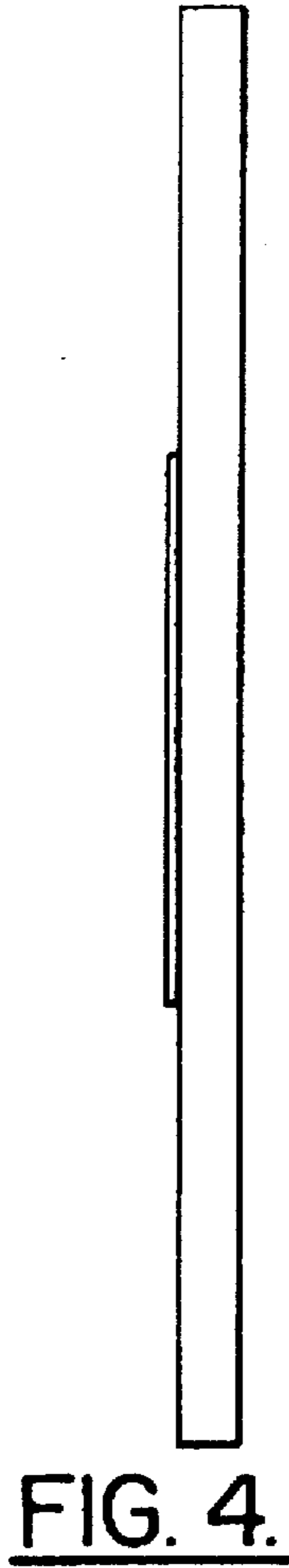
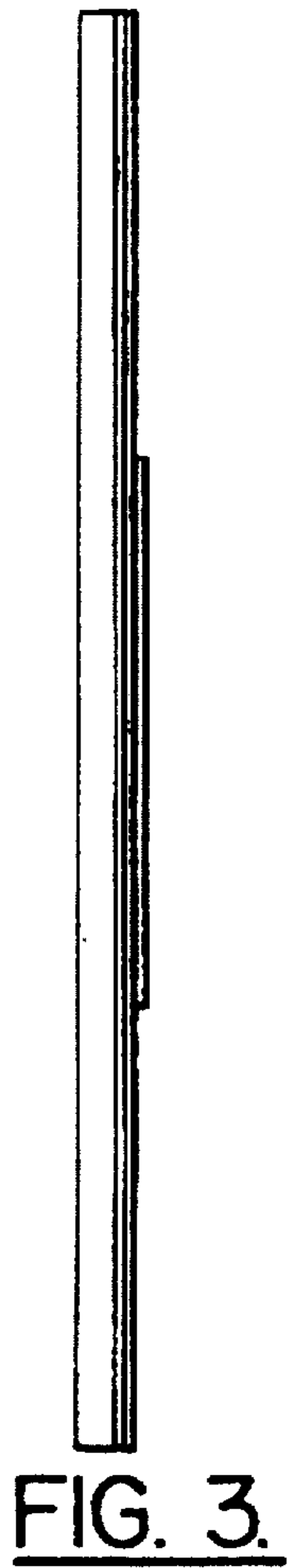
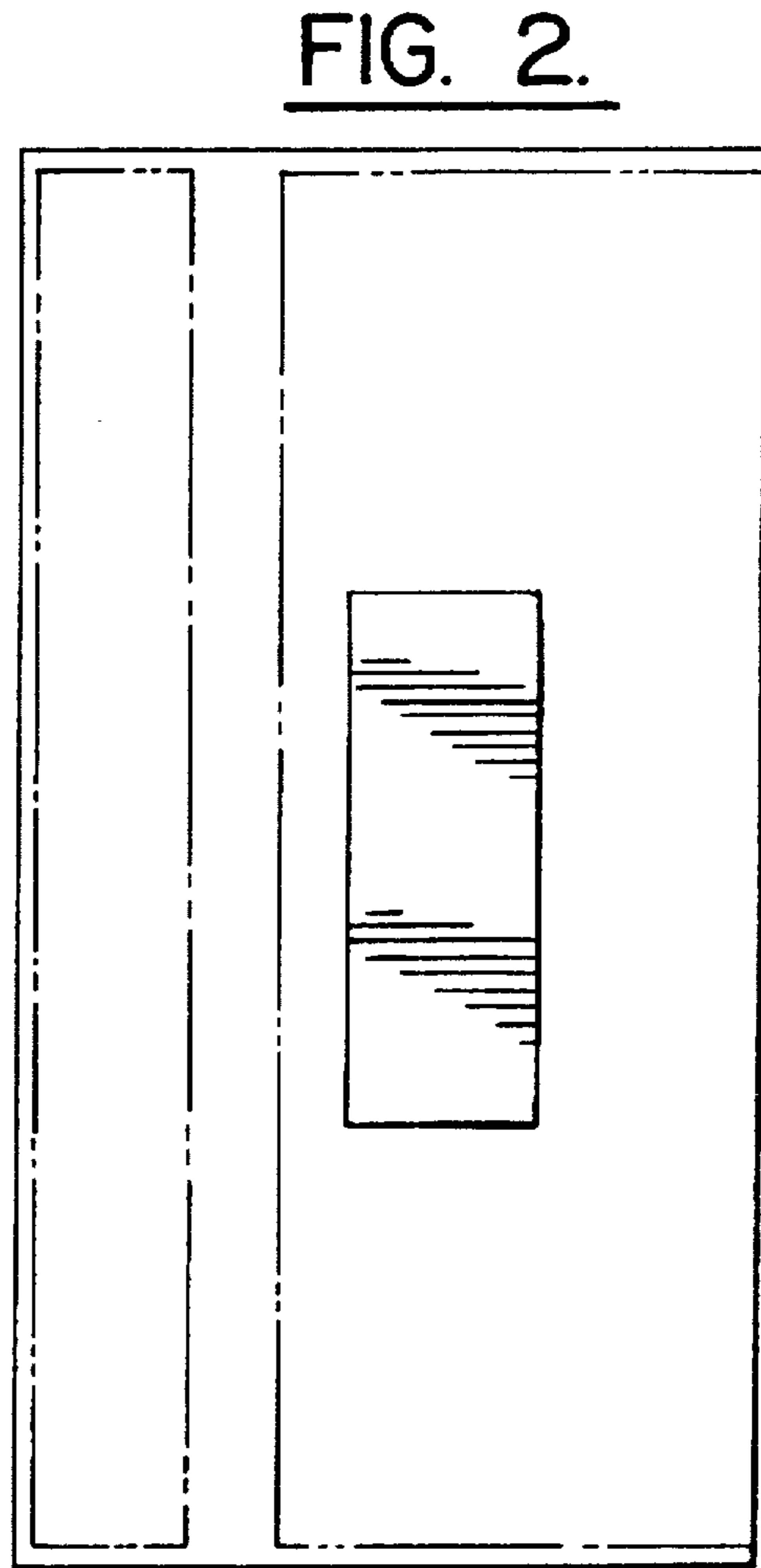
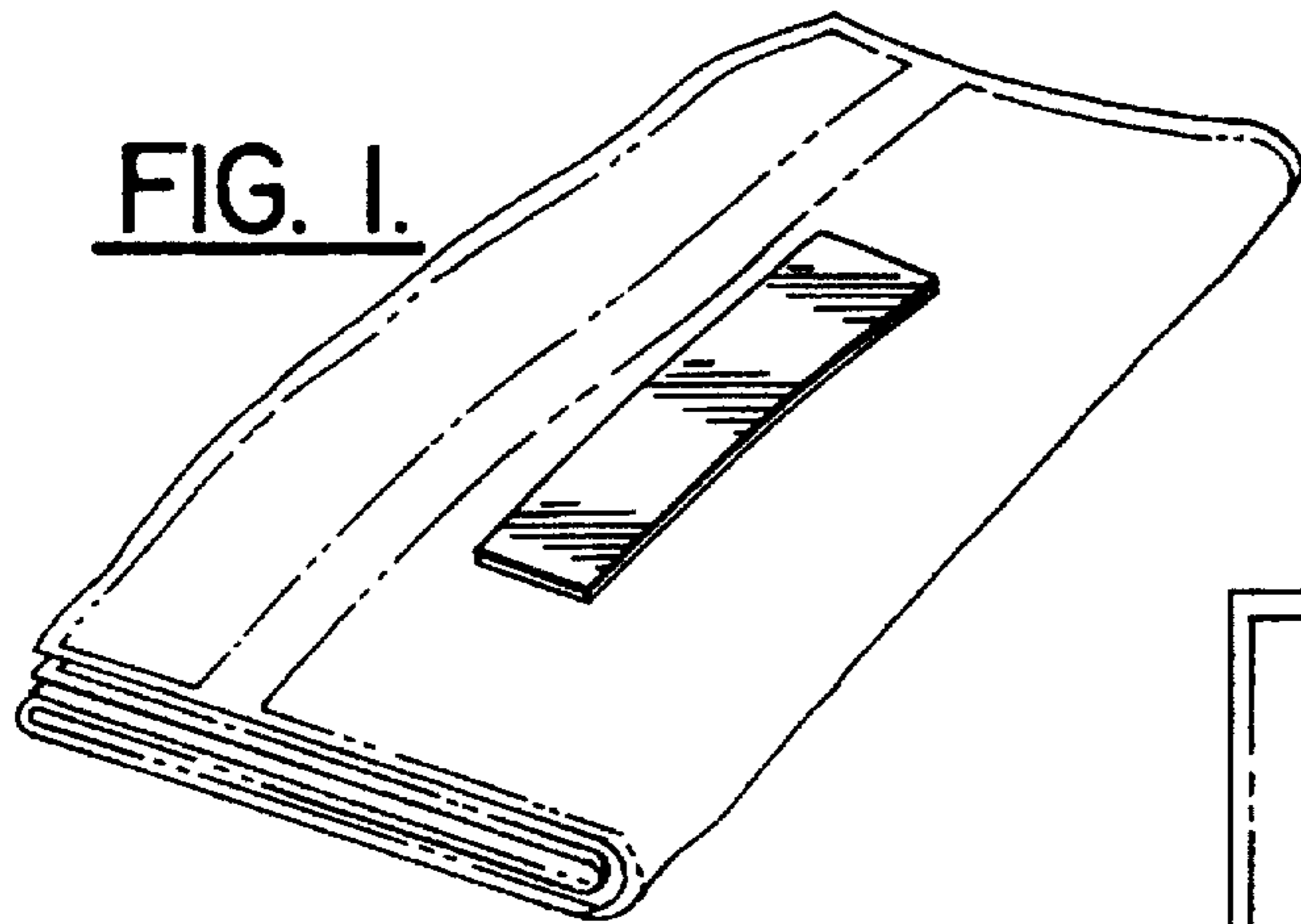
The ornamental design for a personal care textile article with label, as shown and described.

DESCRIPTION

FIG. 1 is a top perspective view of a personal care textile article with label shown in folded state;
FIG. 2 is a top plan view thereof;
FIG. 3 is a front, elevational view thereof;
FIG. 4 is a rear, elevational view thereof;
FIG. 5 is a right side elevational view thereof;
FIG. 6 is a left side elevational view thereof;
FIG. 7 is a top perspective view of a personal care textile article with label shown in an unfolded state;
FIG. 8 is a top plan view thereof;
FIG. 9 is a right side elevational view thereof;
FIG. 10 is a left, elevational view thereof;
FIG. 11 is a front, elevational view thereof;
FIG. 12 is a rear, elevational view thereof;
FIG. 13 is a top perspective view of a personal care textile article with label shown in an alternate folded state;
FIG. 14 is a top plan view thereof;
FIG. 15 is a rear, elevational view thereof;
FIG. 16 is a front, elevational view thereof;
FIG. 17 is a bottom plan view thereof;
FIG. 18 is a right, elevational view thereof; and,
FIG. 19 is a left, elevational view thereof.
The broken lines are shown for illustrative purposes only and form no part of the claimed design.

1 Claim, 4 Drawing Sheets





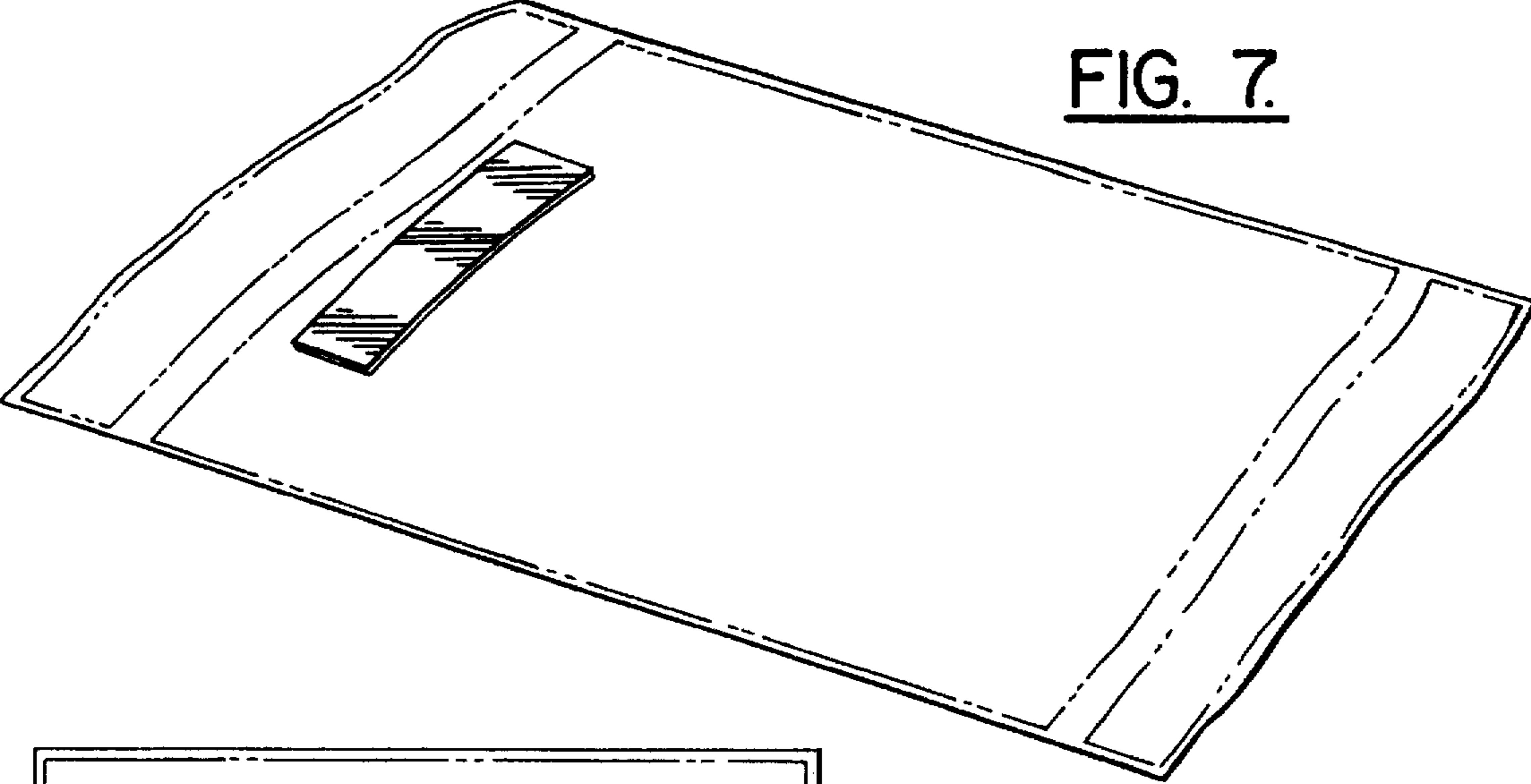


FIG. 7.

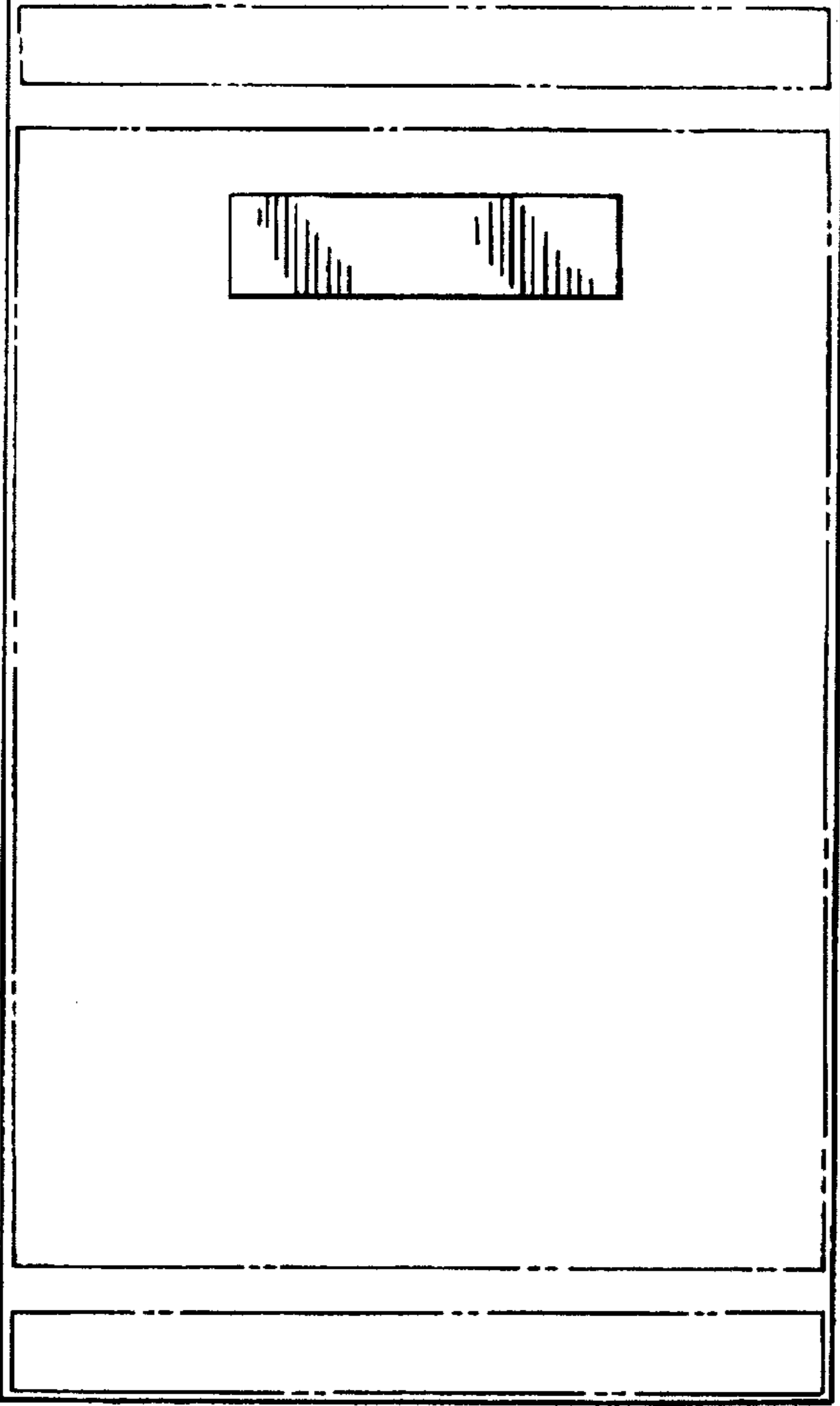


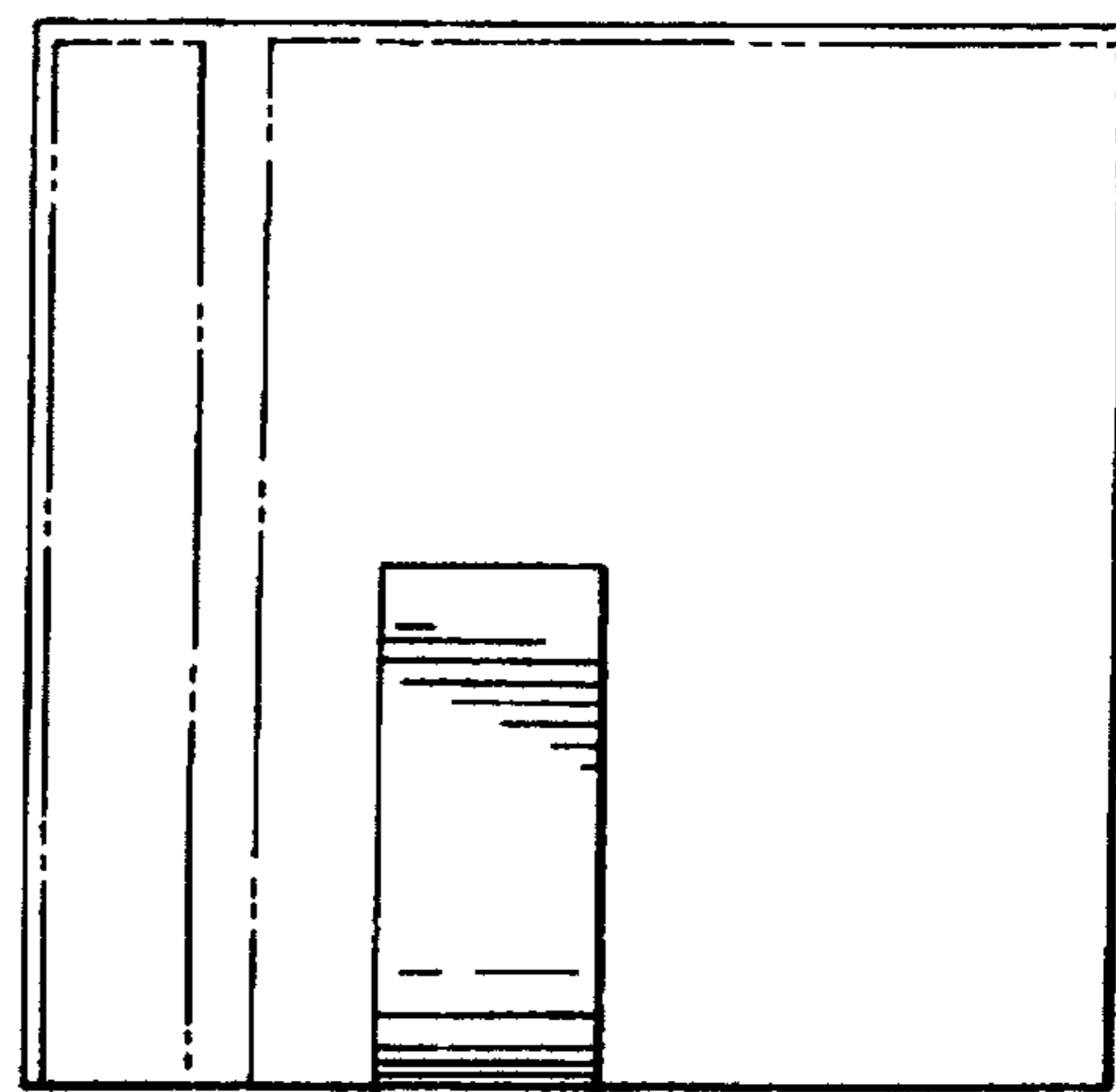
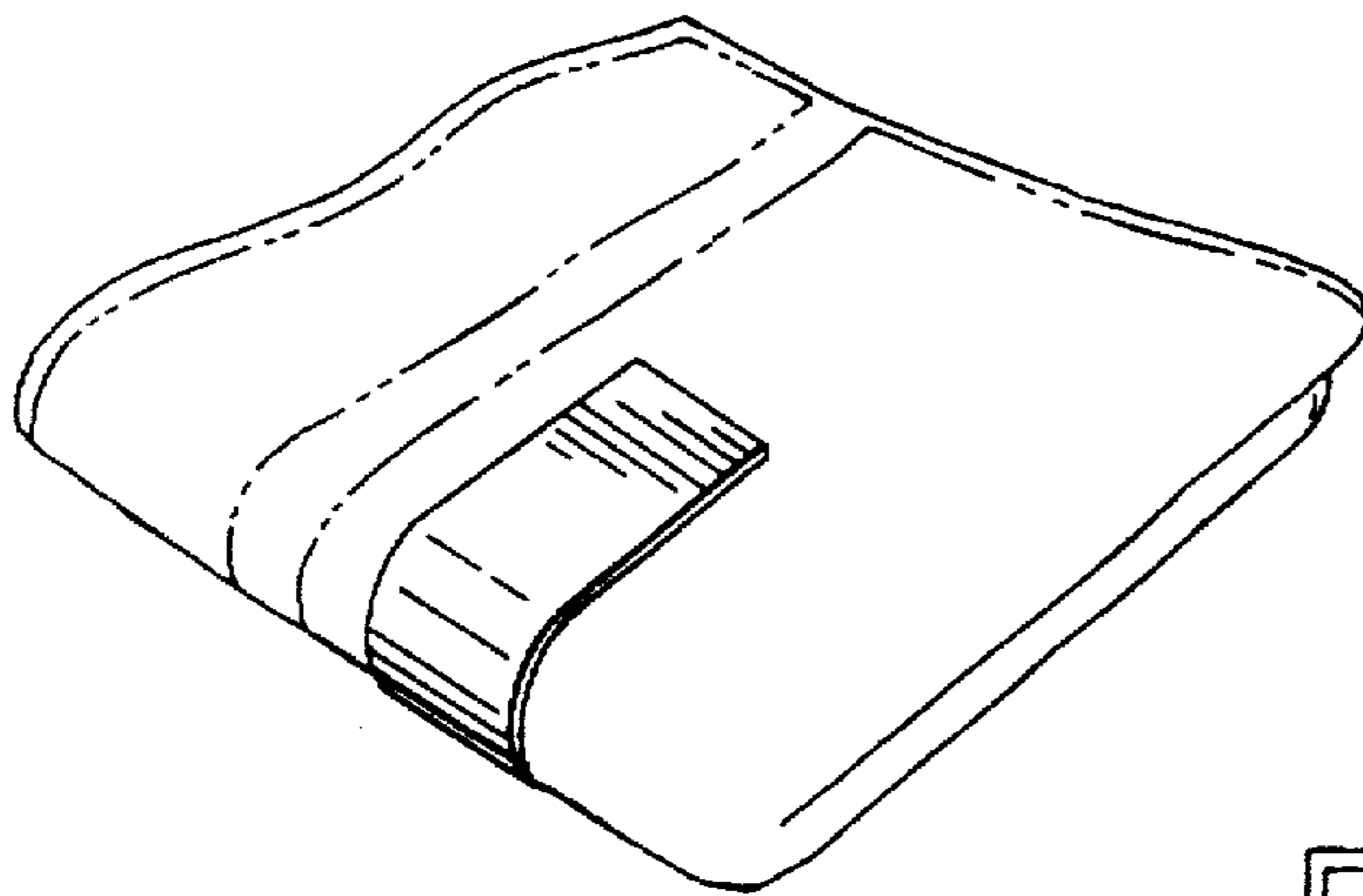
FIG. 8.



FIG. 9.



FIG. 10.



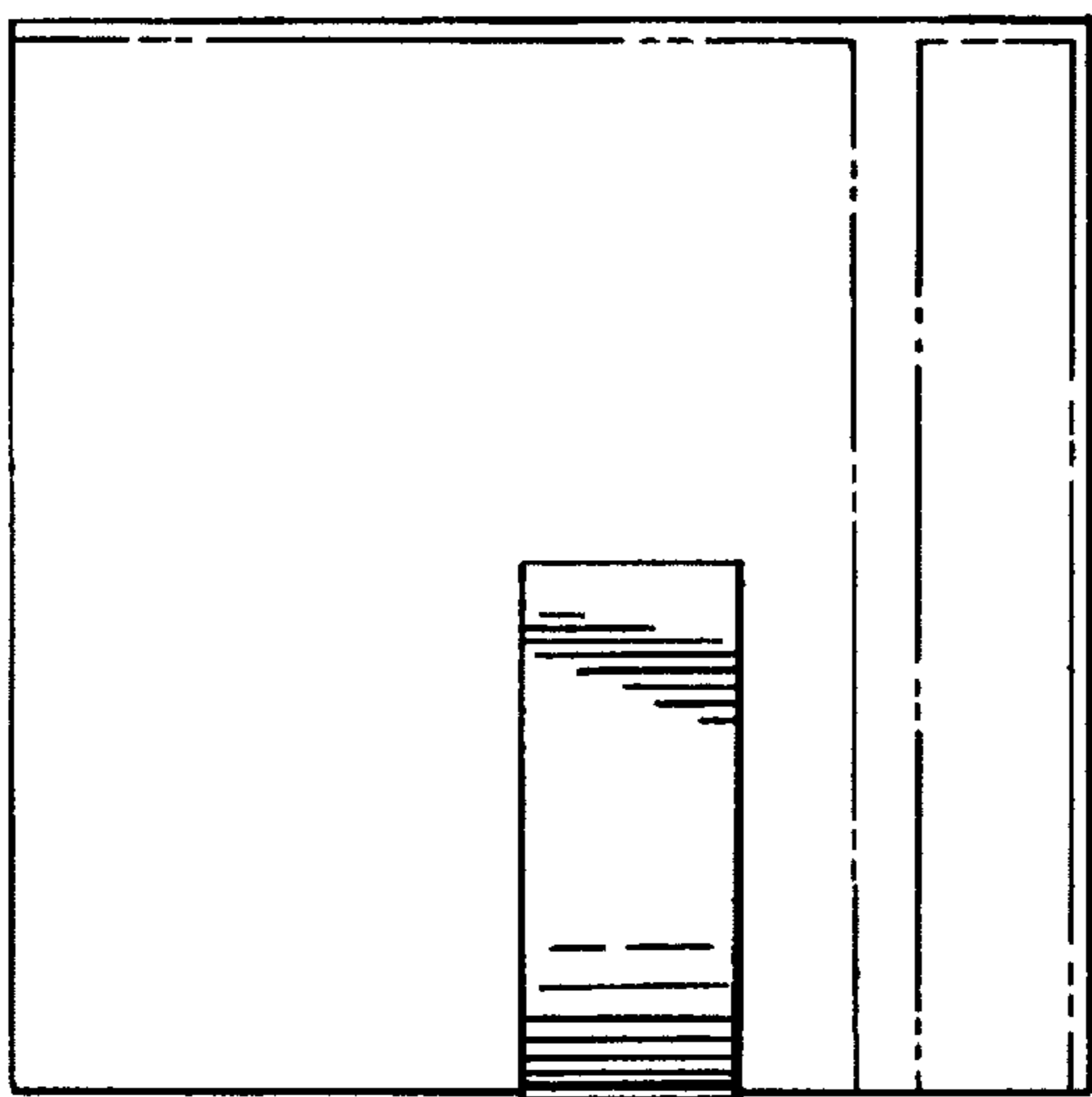


FIG. 17.



FIG. 18.

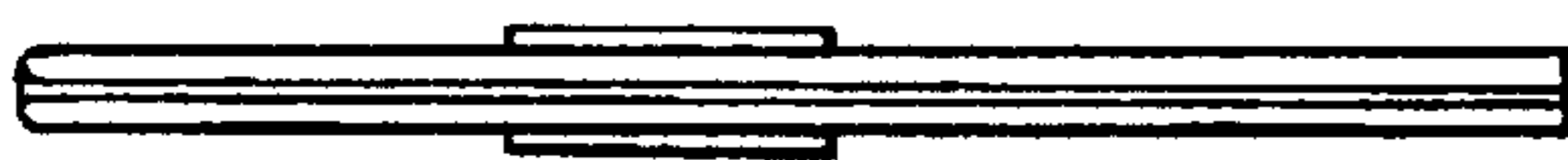


FIG. 19.